

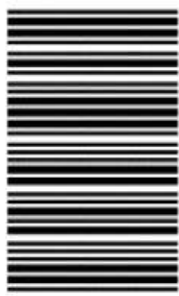
407

A

نام :

نام خانوادگی :

محل امضاء :



407A

دفترچه شماره ۱
عصر پنجشنبه
۹۲/۱۱/۱۷



جمهوری اسلامی ایران
وزارت علوم، تحقیقات و فناوری
سازمان سنجش آموزش کشور

اگر دانشگاه اصلاح شود مملکت اصلاح می‌شود.
امام خمینی (ره)

آزمون ورودی دوره‌های کارشناسی ارشد ناپیوسته داخل - سال ۱۳۹۳

مجموعه مهندسی برق - کد ۱۲۵۱

مدت پاسخگویی: ۱۰۵ دقیقه

تعداد سؤال: ۵۴

عنوان مواد امتحانی، تعداد و شماره سؤالات

ردیف	مواد امتحانی	تعداد سؤال	از شماره	تا شماره
۱	زبان عمومی و تخصصی	۳۰	۱	۳۰
۲	ریاضیات (مادلات دیفرانسیل، ریاضیات مهندسی، آمار و احتمالات)	۱۲	۳۱	۴۲
۳	مدارهای الکتریکی ۱ و ۲	۱۲	۴۳	۵۴

بهمن ماه سال ۱۳۹۲

استفاده از ماشین حساب مجاز نمی‌باشد.

این آزمون دارای نمره منفی است.

حق چاپ و تکثیر سؤالات پس از برگزاری آزمون برای تمامی اشخاص حقیقی و حقوقی تنها با مجوز این سازمان مجاز می‌باشد و با متخلفین برابر مقررات رفتار می‌شود.

Part A: Vocabulary

Directions: Choose the word or the phrase (1), (2), (3), or (4) that best completes each sentence. Then mark your answer sheet.

- 1- **Bad weather has _____ the bombers that lack modern night-attack equipment.**
1) grasped 2) hampered 3) utilized 4) abated
- 2- **Jacob was _____ for always arriving late for work, a habit that finally led to his being fired from work.**
1) haphazard 2) infinite 3) innate 4) notorious
- 3- **It would put his career at risk, but that was already in _____, so what had he to lose?**
1) jeopardy 2) perspective 3) magnitude 4) neglect
- 4- **Legal requirements state that working hours must not _____ 42 hours a week.**
1) legitimize 2) linger 3) mingle 4) exceed
- 5- **The student's essay was empty of errors, indicating that it had been _____ written.**
1) painstakingly 2) massively 3) impartially 4) ingenuously
- 6- **The boy was simply a beggar: his bundle of newspapers was a _____, and we called him the Newspaper Boy.**
1) legend 2) limitation 3) pretext 4) drawback
- 7- **I do not _____ ever having been to Paris, although my mother says we went there when I was a child.**
1) rehearse 2) recollect 3) recede 4) recast
- 8- **Because of _____ conditions, the hikers decided to give up trying to climb the mountain.**
1) vague 2) ungainly 3) adverse 4) vigorous
- 9- **I sat watching as the sun reached its _____ and the muezzin began to call the people to prayers.**
1) lucidity 2) triumph 3) spectacle 4) zenith
- 10- **The children were tired and _____ and didn't seem interested in any of the games.**
1) sluggish 2) mandatory 3) strict 4) cordial

Part B: Cloze Passage

Directions: Read the following passage and decide which choice (1), (2), (3), or (4) best fits each space. Then mark your answer sheet.

A healthy man in his early 60s begins to notice that his memory isn't (11) _____. More and more often, a word will be (12) _____ the tip of his tongue but he just can't remember it. He forgets appointments, makes mistakes (13) _____, and finds that he's often confused or

(14) _____ about the normal hustle and bustle of life around him. One evening, he suddenly finds himself (15) _____ in a neighborhood a couple of miles from his house. He has no idea how he got there.

- 11- 1) used to being as well 2) as good as it used to be
3) is not so well as it used to be 4) used as well as was it
- 12- 1) with 2) by 3) on 4) at
- 13- 1) pays his bills 2) when paying his bills
3) while bills paid 4) to pay the bills he does
- 14- 1) anxiously 2) anxiety 3) anxious 4) be anxious
- 15- 1) although walking 2) while he is walking
3) he is walking 4) walking

Part C: Reading comprehension

Directions: Read the following five passages and answer the questions by choosing the best choice (1), (2), (3), or (4). Then mark the correct choice on your answer sheet.

Passage 1:

A sensor is a converter that measures a physical quantity and converts it into a signal which can be read by an observer or by an (today mostly electronic) instrument. For example, a mercury-in-glass thermometer converts the measured temperature into expansion and contraction of a liquid which can be read on a calibrated glass tube. A thermocouple converts temperature to an output voltage which can be read by a voltmeter. For accuracy, most sensors are calibrated against known standards.

Sensors are used in everyday objects such as touch-sensitive elevator buttons (tactile sensor) and lamps which dim or brighten by touching the base. There are also innumerable applications for sensors of which most people are never aware. Applications include cars, machines, aerospace, medicine, manufacturing and robotics.

A sensor is a device, which responds to an input quantity by generating a functionally related output usually in the form of an electrical or optical signal. A sensor's sensitivity indicates how much the sensor's output changes when the measured quantity changes. Sensors that measure very small changes must have very high sensitivities. Sensors also have an impact on what they measure; for instance, a room temperature thermometer inserted into a hot cup of liquid cools the liquid while the liquid heats the thermometer. Sensors need to be designed to have a small effect on what is measured; making the sensor smaller often improves this and may introduce other advantages.

- 16- What does the sentence "Sensors also have an impact on what they measure" mean in the last paragraph?
- 1) Sensors compress what is measured.
 - 2) Sensors have an effect on measured quantity.
 - 3) Sensors are influenced by the measured quantity.
 - 4) Sensor's output changes when the measured quantity changes.
- 17- According to the text, which of the following statements is valid?
- 1) Thermometers and thermocouples are the same.
 - 2) A sensor's sensitivity indicates how much the sensor's input changes.
 - 3) Sensors that measure very small changes must have negligible sensitivities.
 - 4) Sensors have outputs usually in the form of an electrical, optical signal, or other readable quantity.
- 18- What does the word 'innumerable' mean in the second paragraph?
- 1) finite
 - 2) countable
 - 3) countless
 - 4) extendible

Passage 2:

Microwaves are a form of electromagnetic radiation with wavelengths ranging from as long as one meter to as short as one millimeter, or equivalently, with frequencies between 300 MHz (0.3 GHz) and 300 GHz. The prefix "micro-" in "microwave" is not meant to suggest a wavelength in the micrometer range. It indicates that microwaves are "small" compared to waves used in typical radio broadcasting, in that they have shorter wavelengths. The boundaries between far infrared light, terahertz radiation, microwaves, and ultra-high-frequency radio waves are fairly arbitrary and are used variously between different fields of study.

Microwave technology is extensively used for point-to-point telecommunications (i.e., non-broadcast uses). Microwaves are especially suitable for this use since they are more easily focused into narrow beams than other radio waves, allowing frequency reuse; their comparatively higher frequencies allow broad bandwidth and high data transmission rates, and antenna sizes are smaller than at lower frequencies because antenna size is inversely proportional to transmitted frequency. Microwaves are also employed in microwave ovens and in radar technology.

Beginning at about 20 GHz, the atmosphere becomes less transparent to microwaves, due at lower frequencies, to absorption from water vapor and at higher frequencies from oxygen.

Above 300 GHz, the absorption of electromagnetic radiation by Earth's atmosphere is so great that it is in effect opaque, until the atmosphere becomes transparent again in the so-called infrared and optical window frequency ranges.

19- According to the text, which of the following statements is false?

- 1) Microwave ovens and radars use frequencies above 300 MHz .
- 2) Antenna size is not directly proportional to transmitted frequency.
- 3) Microwaves higher frequencies allow high data transmission rates.
- 4) Microwaves are a form of electromagnetic radiation with wavelengths in the micrometer range .

20- What does the sentence "it is in effect opaque" mean in the last paragraph?

- 1) The atmosphere becomes transparent to microwaves .
- 2) The atmosphere transmits the electromagnetic radiation.
- 3) The electromagnetic radiation can't penetrate the atmosphere.
- 4) Water vapor and oxygen at higher frequencies could not absorb the radiation.

21- Why are microwaves suitable for point-to-point telecommunications? Because -----.

- 1) the atmosphere becomes less transparent to microwaves
- 2) they are more easily diverged into beams than radio waves
- 3) above 300 GHz, the absorption of electromagnetic radiation by Earth's atmosphere is significant
- 4) of their ability to become focused and their high data transmission rates

Passage 3:

When UMTs was designed, it was a bold approach to specify an air interface with a carrier bandwidth of 5MHz. Wideband Code Division Multiple Access (WCDM), the air interface chosen at that time, performed very well within this limit. On the other hand, if the bandwidth of the carrier is increased to attain higher transmission speeds, the time between two transmission steps has to decrease. The shorter a transmission step, the greater the impact of multipath fading on the received signal. Multipath fading causes the receiver not to see one signal but several copies arriving at different times. As a result, parts of the signal of a previous transmission step that has bounced off objects and thus took longer to travel to the receiver overlap with the radio signal of the current transmission step that was received via a more direct path. This overlap is often referred to as inter-symbol interference (ISI). The shorter a transmission step, the more the overlap that can be observed and the more difficult it gets for the receiver to correctly interpret the received signal. With long term evolution (LTE), instead of spreading one signal over the complete carrier bandwidth (e.g.5MHZ), Orthogonal Frequency Division Multiplexing (OFDM) is used that transmits the data over many narrowband carriers of 180 KHz each, and hence increasing the transmission step size. Instead of a single fast transmission, a data stream is split into many slower data streams that are transmitted simultaneously and according to LTE standard, it is possible to enjoy from a wider bandwidth than that of UMTS.

22- Which statement is not true in the context of UMTS & LTE?

- 1) In UMTS networks, ISI can become a more stringent drawback at wider bandwidths than 5 MHz.
- 2) OFDM is a new air interface technology capable of handling wider bandwidths than that of WCDMA.
- 3) The air interface used in UMTS networks has full capability of supporting higher data rates when the maximum bandwidth exceeds 5 MHz.
- 4) In an LTE network, the high-rate data-streams are divided into several lower rate streams to counteract the adverse effects of multipath fading channel.

23- LTE networks -----.

- 1) are more robust to ISI than UMTS networks when both operating at similar bandwidths and within same propagation channel.
- 2) use a total of 180 kHz bandwidth which is allocated to many slower data streams for simultaneous transmission.
- 3) are more resilient to negative effects of multipath channels only due to higher signal power at the transmitter side.
- 4) 1 & 3

24- OFDM -----.

- 1) is only suitable for those bandwidths that are suitable for WCDMA
- 2) accomplishes its primary effect on increasing the transmission step size by changing the carrier bandwidth
- 3) cannot mitigate the ISI effect more efficiently than WCDMA when the underlying scenario remains the same
- 4) achieves slower transmission rates than WCDMA as it splits the data stream into low-rate sub-streams

Passage 4:

The electron has a pesky ability to penetrate barriers—a phenomenon known as quantum tunneling. As chipmakers have squeezed ever more transistors onto a chip, transistors have gotten smaller, and the distances between different transistor regions have decreased. So today, electronic barriers that were once thick enough to block current are now so thin that electrons can barrel right through them.

Chipmakers have already stopped thinning one key transistor component—the gate oxide. This layer electrically separates the gate, which turns a transistor on and off, from the current-carrying channel. Make this oxide thinner and you can induce more charge in the channel, boost the current, and make the transistor faster. But you can't reduce the oxide thickness to much less than roughly a nanometer, which is about where it is today. Beyond that, too much current will flow across the channel when the transistor is "off", when ideally no current should flow at all. And that's just one of several leakage points.

We cannot stop electrons from tunneling through thin barriers, but we can turn this phenomenon to our advantage. In the last few years, a new transistor design—the tunnel FET, or TFET—has been gaining momentum. Unlike the MOSFET, which works by raising or lowering an energy barrier to control the flow of current, the TFET keeps this energy barrier high. The device switches on and off by altering the likelihood that electrons on one side of that barrier will materialize on the other side.

25- What are the advantages of thinning the oxide gate?

- | | |
|---|-----------------------------------|
| 1) Making the transistor faster | 2) Raising the transistor current |
| 3) Flow of current when the transistor is off | 4) 1 & 2 |

26- What does the term 'them' in the first paragraph refer to?

- | | | | |
|-------------|-----------|----------|--------------|
| 1) Barriers | 2) Boards | 3) Chips | 4) Electrons |
|-------------|-----------|----------|--------------|

Passage 5:

While the use of various nanoparticles for delivering drugs to specific targets in the body has been with us for a decade now and has already created a billion-dollar industry for itself, this marks the first time that magneto-electric nanoparticles (MENs) have been used for ovarian cancer therapy.

The basis of nano-enabled drug delivery has typically involved connecting the nanoparticle to some antibody that is attracted to a tumor and sending the nanoparticle through the bloodstream to find its target. There has been some question about the efficacy and specificity of this antibody approach. This new technology developed appears to be more specific because it separates the cancer cells from the healthy cells by exploiting differences in the electrical properties of the two kinds of cells' membranes.

This separation is achieved because of the unique properties of the MENs. Unlike typical magnetic nanoparticles (MN), which can be controlled by a remote magnetic field, the MENs can have their intrinsic electric fields controlled by the external magnetic field. This means that the MENs can operate as localized magnetic-to-electric-field nano-converters. In other words, the MENs can generate the electric signals that govern molecular interactions. By creating a particular electric field, the MENs change the membrane properties of the cancer cells and not the healthy cells making them more porous. As the *Scientific Reports* article describes it: "The interaction between the MENs and the electric system of the membrane effectively serves as a field-controlled gate to let the drug-loaded nanoparticles enter specifically the tumor cells only."

۳۱- معادله دیفرانسیل $x \frac{dy}{dx} + y^2 = 0$ با شرط اولیه $y(1) = 1$ مفروض است

بزرگترین بازه x که در آن مسأله مقدار اولیه دارای جواب باشد، کدام است؟

(۱) $(-\infty, \frac{1}{e})$ (۲) $(-\infty, \frac{1}{e}]$

(۳) $[\frac{1}{e}, \infty)$ (۴) $(\frac{1}{e}, \infty)$

۳۲- اگر $W(f, g)$ رنسکین (Wronskian) مربوط به توابع f و g باشد و تعریف

کنیم $u = 2f - g$ و $v = f + 2g$ ، آنگاه رنسکین $W(u, v)$ مربوط به توابع

u و v برحسب $W(f, g)$ عبارت است از:

(۱) $2 W(f, g)$ (۲) $3 W(f, g)$

(۳) $5 W(f, g)$ (۴) $9 W(f, g)$

۳۳- اگر معادله دیفرانسیل $x^2 y'' + xy' + (x^2 - \alpha^2)y = 0$ جوابی به صورت

$$J_\alpha(x) = \frac{1}{\pi} \int_0^\pi \cos(\alpha\theta - x \sin \theta) d\theta$$

داشته باشد آنگاه

$$\frac{1}{\pi} \int_0^\pi \sin^2 \theta \cos(x \sin \theta) d\theta$$

برابر است با:

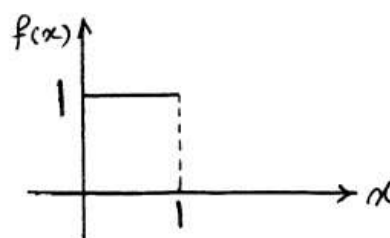
(۱) $-J_0(x)$ (۲) $-J'_0(x)$

(۳) $-J''_0(x)$ (۴) $-J'''_0(x)$

۳۴- برای تابع $f(x)$ ، وقتی که $0 \leq x \leq 1$ است، یک سری به شکل زیر نوشته شده

است، مقدار ضریب a_3 چقدر است؟

$$f(x) = \sum_{n=1,3,5}^{+\infty} a_n \cos\left(\frac{n\pi}{4}x\right), \quad 0 \leq x \leq 1$$



(۱) $-\frac{4}{3\pi}$

(۲) $-\frac{2}{3\pi}$

(۳) ۰

(۴) $\frac{4}{3\pi}$

۳۵- تابع $f(x)$ و تبدیل فوریه آن به صورت زیر تعریف شده‌اند:

$$f(x) = \begin{cases} \sinh |x| & , -\pi < x < \pi \\ 0 & \text{در غیر این صورت} \end{cases}$$

مقدار $F(\omega)$ ، مقدار $F(1)$ برابر است با:

$$(1) \quad -2 \cosh \pi - 2 \quad (2) \quad -\cosh \pi - 1$$

$$(3) \quad -2 \cosh \pi + 2 \quad (4) \quad -\cosh \pi + 1$$

۳۶- در مسأله مقدار مرزی

$$\begin{cases} y'' + \gamma y = 0, \gamma > 0 \\ y(0) = 0, y(1) + y'(1) = 0 \end{cases}$$

مقادیر ویژه در کدام معادله صدق می‌کند؟

$$(1) \quad \tan \sqrt{\gamma} - \sqrt{\gamma} = 0 \quad (2) \quad \tan \sqrt{\gamma} + \sqrt{\gamma} = 0$$

$$(3) \quad \cot \sqrt{\gamma} - \sqrt{\gamma} = 0 \quad (4) \quad \cot \sqrt{\gamma} + \sqrt{\gamma} = 0$$

۳۷- در مسأله مقدار اولیه مرزی موج یک بعدی زیر، که در آن $h(x)$ تابعی تکه‌ای

پیوسته است،

$$\begin{cases} u_{tt} - a^2 u_{xx} = 0, 0 < x < 1, t > 0 \\ u(x, 0) = 0, u_t(x, 0) = h(x), 0 \leq x \leq 1 \\ u(0, t) = u(1, t) = 0, t > 0 \end{cases}$$

مقدار $u\left(\frac{1}{3}, \frac{13}{a}\right)$ کدام است؟

$$(1) \quad -1$$

$$(2) \quad 0$$

$$(3) \quad 1$$

(4) نمی‌توان گفت چون تابع $h(x)$ مقدارش داده نشده

۳۸- مسأله مقدار مرزی زیر در داخل یک نیم دایره به مرکز O و به شعاع a و با یک قطر واقع بر محور x را در نظر می‌گیریم:

$$\begin{cases} \nabla^2 T = T_{rr} + \frac{1}{r} T_r + \frac{1}{r^2} T_{\theta\theta} = 0, 0 < r < a \\ T_{\theta}(r, 0) = 0, T(r, \pi) = 0, 0 \leq r \leq a \\ T(a, \theta) = h(\theta) \text{ , تکه‌ای همواره داده شده } , 0 \leq \theta \leq \pi \end{cases}$$

پایه متعامد بسط فوریه تابع h مفروض کدام است؟

$$\left\{ \cos\left(\frac{r k - 1}{r} \theta\right) \right\}_{k=1}^{\infty} \quad (1)$$

$$\left\{ \cos(k\theta) \right\}_{k=1}^{\infty} \quad (2)$$

$$\left\{ \frac{1}{r}, \cos \theta, \cos 2\theta, \cos 3\theta, \dots, \cos n\theta, \dots \right\} \quad (3)$$

$$\left\{ \frac{1}{r}, \cos \frac{\theta}{r}, \cos \frac{2\theta}{r}, \cos \frac{3\theta}{r}, \dots, \cos \frac{r n - 1}{r} \theta, \dots \right\} \quad (4)$$

۳۹- نوار $\frac{\pi}{2} < \text{Im}\{z\} < \pi$ تحت نگاشت $w = \frac{1+e^z}{1-e^z}$ به چه ناحیه‌ای در صفحه w تبدیل می‌شود؟

(۱) داخل نیم‌دایره واحد که در آن $\text{Im}\{w\} > 0$

(۲) داخل مثلث متساوی الساقین با رئوس $(0, 1), (1, 0), (-1, 0)$

(۳) تمام صفحه مختلط به غیر از داخل نیم دایره واحد که در آن $\text{Im}\{w\} > 0$

(۴) تمام صفحه مختلط به غیر از داخل مثلث متساوی الساقین با رئوس

$$(0, 1), (1, 0), (-1, 0)$$

۴۰- مانده‌ی تابع $f(z) = e^z \sinh \frac{1}{z}$ حول نقطه‌ی $z = 0$ برابر است با:

$$\sinh 1 \quad (1) \quad -\sinh 1 \quad (2)$$

$$\sum_{n=0}^{\infty} \frac{1}{(2n)!(2n+1)!} \quad (4)$$

$$\sum_{n=0}^{\infty} \frac{1}{(2n)!} \quad (3)$$

۴۱- در یک جعبه ۱۶ مهره قرمز با شماره‌های ۱ تا ۱۶ و ۴ مهره سفید با شماره‌های ۱ تا ۴ قرار دارد. یک مهره را به تصادف از جعبه خارج می‌کنیم. اگر رنگ آن سفید نباشد یا شماره آن یک نباشد. آن را به جعبه برمی‌گردانیم. آزمایش را آنقدر تکرار می‌کنیم تا مهره بیرون آمده سفید یا شماره آن ۱ باشد. متغیر تصادفی X را مساوی تعداد دفعات آزمایش فرض کنید. احتمال $p\{X = n\}$ برای $n = 1, 2, 3, \dots$ چقدر است؟

$$\left(\frac{1}{2}\right)^n \quad (1) \qquad \frac{5}{8} \left(\frac{3}{8}\right)^{n-1} \quad (2)$$

$$\frac{1}{3} \left(\frac{3}{4}\right)^n \quad (3) \qquad \frac{1}{8} \left(\frac{3}{4}\right)^{n-1} + \frac{1}{16} \left(\frac{7}{8}\right)^{n-1} \quad (4)$$

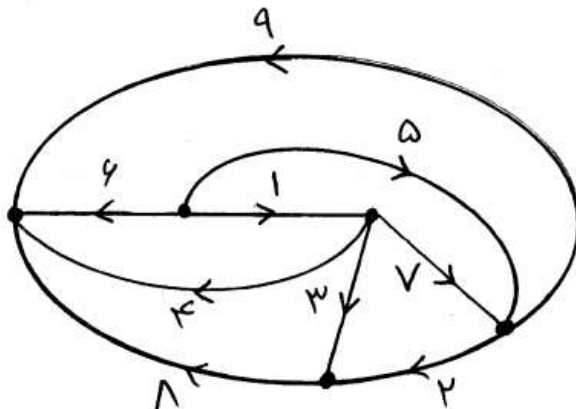
۴۲- متغیر تصادفی X یک متغیر تصادفی یکنواخت در بازه $(0, 1)$ می‌باشد. متغیر تصادفی Y با احتمال یکنواخت در بازه $(0, X)$ انتخاب می‌شود. تابع چگالی

احتمال متغیر تصادفی Y در نقطه $Y = \frac{1}{2}$ چه مقداری دارد؟

$$\frac{1}{4} \quad (1) \qquad \frac{1}{2} \quad (2)$$

$$2 \ln 2 \quad (3) \qquad \ln 2 \quad (4)$$

۴۳- در گراف متصل زیر، مجموعه شاخه‌های $\{1, 2, 3, 6\}$ به عنوان درخت انتخاب می‌شوند. کدام یک از حلقه‌های زیر، یک حلقه‌ی اساسی این درخت نمی‌باشد؟



(۲) $\{1, 4, 6\}$

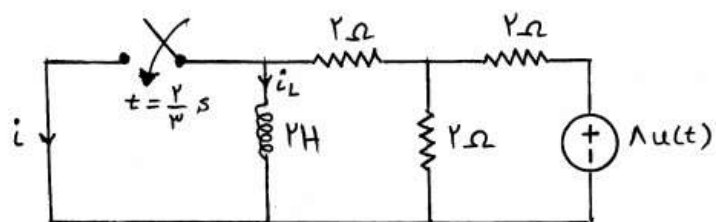
(۱) $\{1, 3, 8, 6\}$

(۴) $\{2, 3, 7\}$

(۳) $\{1, 7, 6, 9\}$

۴۴- در مدار زیر کلید در $t = \frac{2}{3}$ s بسته می‌شود. جریان i در $t = 1$ چند آمپر است؟

$$(i_L(0^-) = 0)$$



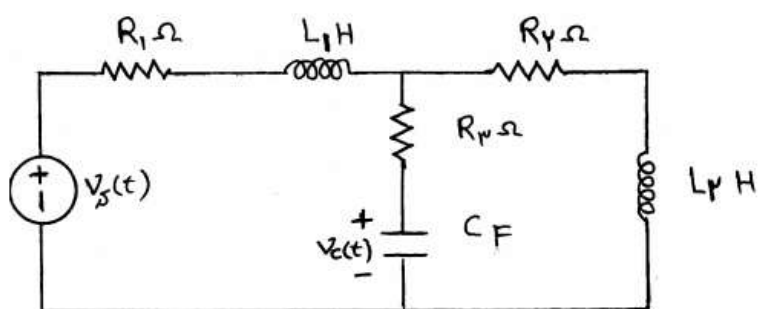
(۲) $\frac{4}{3}e^{-1}$

(۱) $\frac{4}{3}$

(۴) $-e^{-1}$

(۳) $\frac{4}{3}(1 - e^{-1})$

۴۵- در مدار زیر وقتی در $t = 0$ منبع ولتاژ v_s تغییر آنی می‌کند، ولتاژ خازن v_c طبق کدام یک از توابع زیر تغییر خود را شروع می‌کند؟



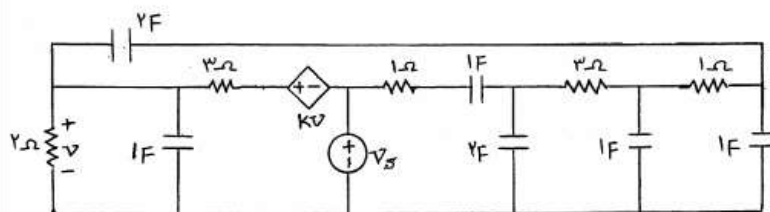
$u(t)$ (۱)

$\delta(t)$ (۲)

$t^2 u(t)$ (۴)

$tu(t)$ (۳)

۴۶- به ازای چه مقدار k مدار دو فرکانس طبیعی صفر دارد؟



-1 (۲)

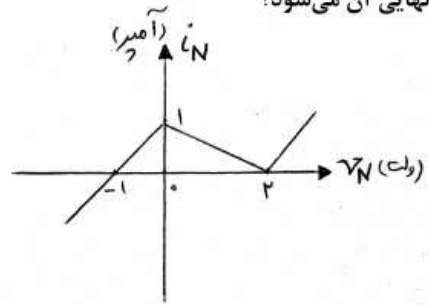
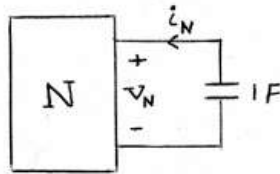
$-\frac{5}{2}$ (۱)

$\frac{5}{2}$ (۴)

3 (۳)

۴۷- اگر ولتاژ اولیه خازن صفر ولت باشد، بعد از چه مدتی ولتاژ خازن نصف مقدار

نهایی آن می شود؟



۲ (۲)

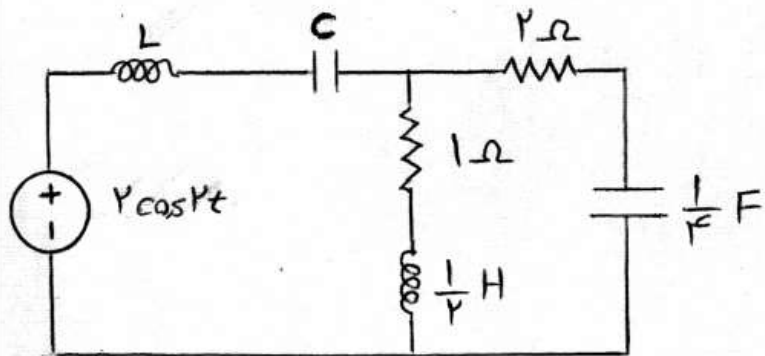
۱ (۱)

$2 \ln 2$ (۴)

$\ln 2$ (۳)

۴۸- توان متوسط مقاومت 1Ω چه کسری از اندازه توان متوسط منبع است؟ (در

حالت دائمی سینوسی)



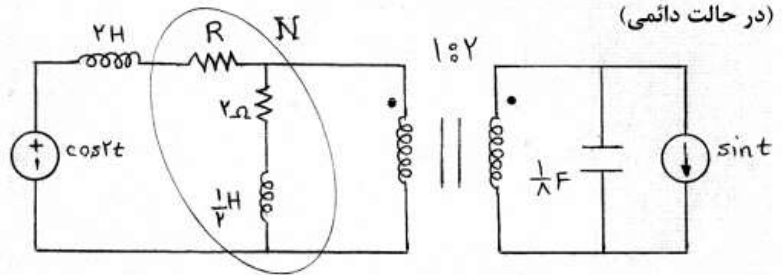
$\frac{2}{3}$ (۲)

$\frac{1}{2}$ (۱)

۱ (۴)

$\frac{3}{4}$ (۳)

۴۹- به ازای چه مقدار R توان متوسط N ناشی از منبع ولتاژ ماکزیمم می‌شود؟

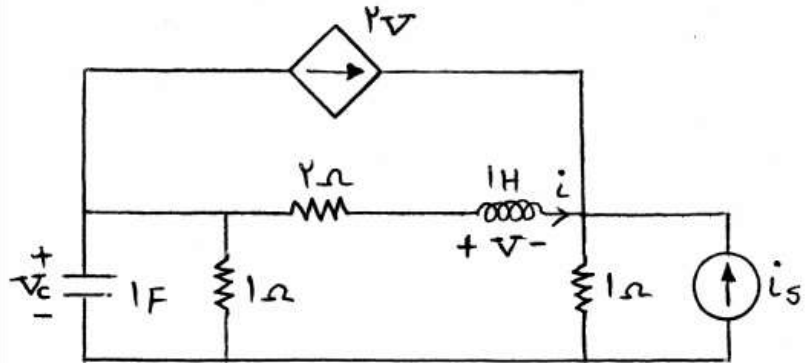


(۱) $2/5$

(۲) $\frac{\sqrt{37}}{2}$

۵۰- در مدار زیر بردار حالت را به صورت $\mathbf{X}(t) = \begin{bmatrix} i(t) \\ v_c(t) \end{bmatrix}$ در نظر بگیرید. اگر

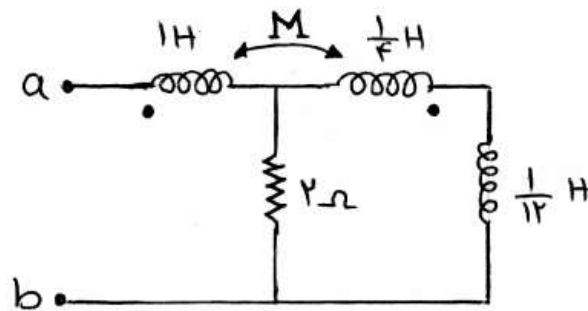
معادلات حالت مدار به صورت $\dot{\mathbf{X}} = \mathbf{A}\mathbf{X} + \mathbf{b}i_s$ باشد، ماتریس \mathbf{A} کدام است؟



(۱) $\begin{bmatrix} -1 & 1 \\ 1 & -5/3 \end{bmatrix}$

(۲) $\begin{bmatrix} -1 & 1 \\ 1 & 3 \end{bmatrix}$

- ۵۱- مقدار ضریب تزویج یا اندوکتانس متقابل (M) چند هانری باشد تا امپدانس دیده شده در وضعیت دائمی سینوسی از دو سر a و b سلفی خالص شود؟



$$\frac{1}{3} \quad (1)$$

$$\frac{1}{2} \quad (2)$$

$$\frac{2}{3} \quad (3)$$

(۴) به ازای هیچ مقدار M ، امپدانس سلفی خالص نیست.

- ۵۲- پاسخ کامل یک مدار الکتریکی خطی و نامتغیر با زمان به ورودی پله واحد به ازای دو دسته شرایط اولیه مختلف x_1 و x_2 به قرار زیر است:

$$x_1(0) = \begin{bmatrix} 1 \\ 1 \end{bmatrix} \rightarrow y_1(t) = \frac{1}{2}(1 - e^{-t} + 2e^{-2t})u(t)$$

$$x_2(0) = \begin{bmatrix} 2 \\ 2 \end{bmatrix} \rightarrow y_2(t) = \frac{1}{2}(1 - 2e^{-t} + 3e^{-2t})u(t)$$

پاسخ ضربه کدام است؟

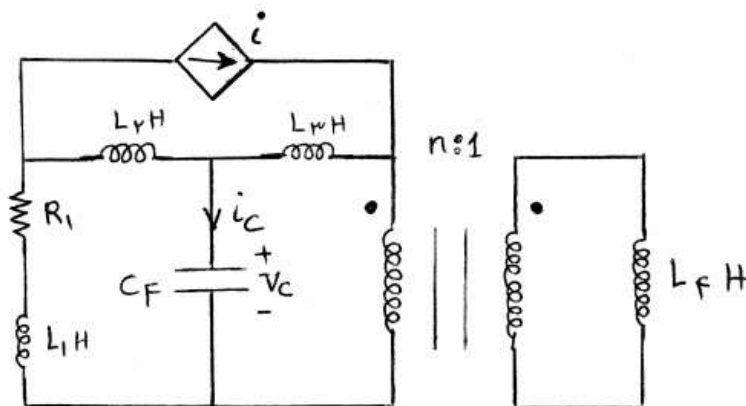
$$-e^{-2t}u(t) + \delta(t) \quad (2)$$

$$-\frac{1}{2}e^{-2t}u(t) \quad (1)$$

$$-\frac{1}{2}e^{-2t}u(t) + \delta(t) \quad (4)$$

$$\frac{1}{2}(1 + e^{-2t})u(t) \quad (3)$$

۵۳- در مدار زیر با تغییر منبع وابسته از $i = v_c$ به $i = i_c$ درجه مدار (تعداد فرکانس های طبیعی)

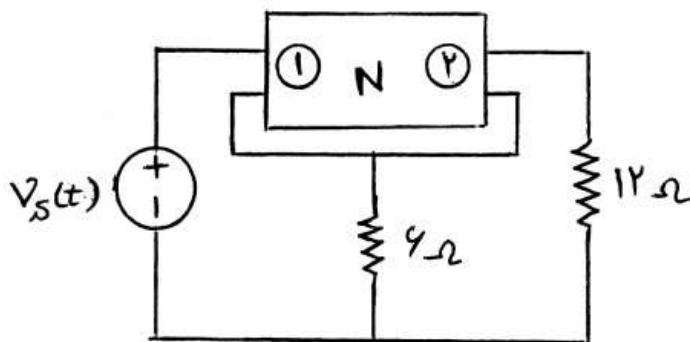


(۱) تغییر نمی کند. (۲) از دو به سه تغییر می یابد.

(۳) از چهار به سه تغییر می یابد. (۴) از سه به چهار تغییر می یابد.

۵۴- ماتریس امپدانس دو قطبی N به صورت $\begin{bmatrix} 4s & 3s \\ 3s & 9s \end{bmatrix}$ و منبع مستقل به صورت

$v_s(t) = 2 \cos(2t)$ است. امپدانس مدار از دو سر منبع مستقل برابر است با:



(۲) $2 + 3j$

(۱) $1 + 3j$

(۴) $4 + 6j$

(۳) $6 + 4j$

408

A

نام :

نام خانوادگی :

محل امضاء :



408A

دفترچه شماره ۲
عصر پنجشنبه
۹۲/۱۱/۱۷



جمهوری اسلامی ایران
وزارت علوم، تحقیقات و فناوری
سازمان سنجش آموزش کشور

اگر دانشگاه اصلاح شود مملکت اصلاح می‌شود.
امام خمینی (ره)

آزمون ورودی دوره‌های کارشناسی ارشد ناپیوسته داخل - سال ۱۳۹۳

مجموعه مهندسی برق - کد ۱۲۵۱

مدت پاسخگویی: ۱۵۰ دقیقه

تعداد سؤال: ۹۶

عنوان مواد امتحانی، تعداد و شماره سؤالات

ردیف	مواد امتحانی	تعداد سؤال	از شماره	تا شماره
۱	سیستمهای کنترل خطی	۱۲	۵۵	۶۶
۲	تجزیه و تحلیل سیستمها	۱۲	۶۷	۷۸
۳	بررسی سیستمهای قدرت ۱	۱۲	۷۹	۹۰
۴	مدار منطقی و ریزپردازندهها	۱۲	۹۱	۱۰۲
۵	الکترونیک ۱ و ۲	۱۲	۱۰۳	۱۱۴
۶	ماشینهای الکتریکی ۱ و ۲	۱۲	۱۱۵	۱۲۶
۷	الکترومغناطیس	۱۲	۱۲۷	۱۳۸
۸	مقدمه‌ای بر مهندسی پزشکی	۱۲	۱۳۹	۱۵۰

* برای داوطلبان گرایش مهندسی پزشکی انتخاب یکی از دو درس ردیف‌های ۷ و ۸ اجباری است.

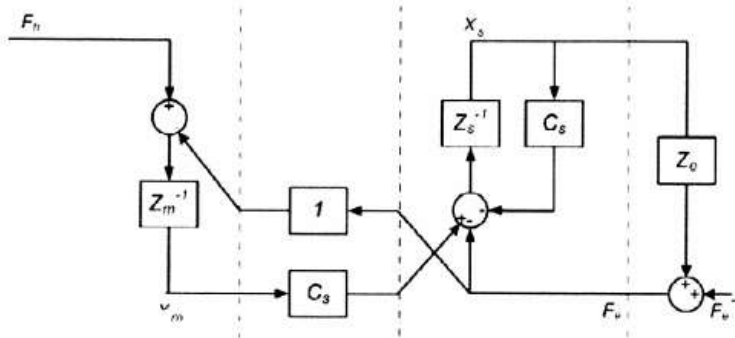
بهمن ماه سال ۱۳۹۲

استفاده از ماشین حساب مجاز نمی‌باشد.

این آزمون دارای نمره منفی است.

حق چاپ و تکثیر سوالات پس از برگزاری آزمون برای تمامی اشخاص حقیقی و حقوقی تنها با مجوز این سازمان مجاز می‌باشد و با متخلفین برابر مقررات رفتار می‌شود.

۵۵- سیستم تله اپراتوری زیر را در نظر بگیرید:



تابع تبدیل $\frac{V_m}{F_n}$ کدام است؟

$$\frac{(Z_s + C_s)Z_e}{Z_m(Z_s + C_s + Z_e) + C_s Z_e} \quad (۲) \quad \frac{Z_s}{Z_m(Z_s + C_s + Z_e) + C_s Z_e} \quad (۱)$$

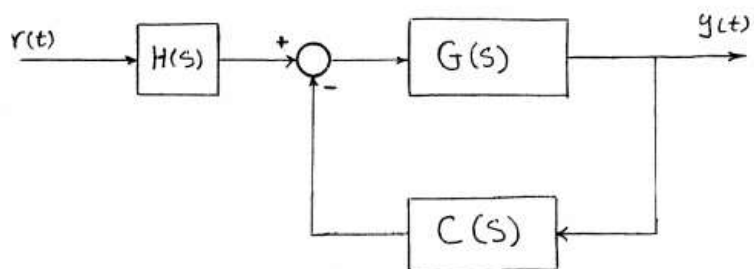
$$\frac{(Z_s + C_s + Z_e)}{Z_m(Z_s + C_s + Z_e) + C_s Z_e} \quad (۴) \quad \frac{(Z_s + C_s + Z_e)}{Z_m(Z_s + C_s + Z_e)} \quad (۳)$$

۵۶- با فرض $G(s) = \frac{1}{(s+1)(s+۳)}$ در سیستم کنترلی زیر $H(s)$ و $C(s)$ چه

دینامیکی داشته باشند تا در پاسخ پله حداکثر فراجهش کمتر از ۵ درصد، زمان

استقرار کمتر از ۱/۲ ثانیه (با معیار دو درصد) و خطای ماندگار نیز کمتر از ۲

درصد باشد؟



$$C(s) = ۳(s+۱۱) \quad , \quad H(s) = \frac{1}{s} \quad (۱)$$

$$C(s) = ۳(s+۱۱) \quad , \quad H(s) = ۳۶ \quad (۲)$$

$$C(s) = ۳(s+۷/۴) \quad , \quad H(s) = ۱۰ \quad (۳)$$

$$C(s) = ۳(s+۷/۴) \quad , \quad H(s) = ۲۵ \quad (۴)$$

۵۷- تابع تبدیل حلقه بسته یک سیستم فیدبک، به شرح زیر داده شده است.

$$T(s) = \frac{k(s+1)(s+2)}{s^2 + \frac{8}{3}s + \frac{4}{3} + k(s+1)} \quad k > 0$$

حداکثر نوع (type) سیستم کدام است؟

○ (۱)

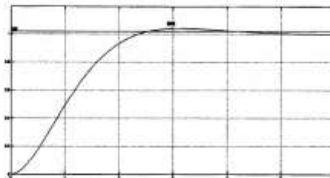
۱ (۲)

۲ (۳)

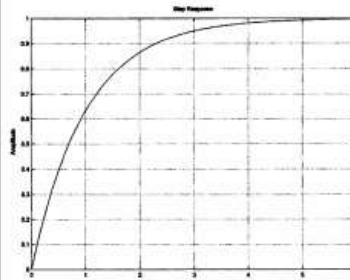
(۴) نوع سیستم از روی تابع تبدیل حلقه بسته بدست نمی‌آید.

۵۸- سیستم فیدبک زیر را در نظر بگیرید.

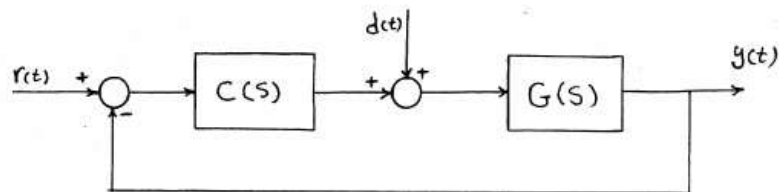
$C(s)$ یک کنترل کننده دینامیکی است.



شکل (۱)



شکل (۲)



پاسخ سیستم به اِزاء ورودی پله واحد $d(t) = 1$ و $r(t) = 0$ در شکل ۱ نشان داده

شده است. همچنین پاسخ سیستم به اِزاء $d(t) = 0$ و $r(t)$ به صورت سیگنال

نشان داده شده در شکل ۲ نیز مشابه شکل ۱ می‌باشد. تابع تبدیل $\frac{Y}{R}$ کدام است؟

$$\frac{2(s+1)}{s^2 + 2s + 2} \quad (۲) \qquad \frac{2}{s^2 + 2s + 2} \quad (۱)$$

$$\frac{2(s+1)}{s^2 + s + 1} \quad (۴) \qquad \frac{2(s+2)}{s^2 + 2s + 2} \quad (۳)$$

۵۹- در هنگام تشکیل جدول راث - هر تیز برای معادله مشخصه یک سیستم مرتبه n ، سطر s^{2k-1} به صورت کامل صفر شده است. اگر تعداد تغییر علامت‌های ستون اول، قبل از سطر s^{2k} را با y و پس از آن را با x نشان دهیم، شرط وجود قطب روی محور موهومی کدام است؟

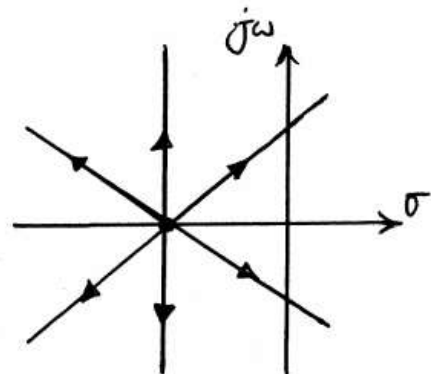
$$(1) \quad x < k$$

$$(2) \quad y < k$$

$$(3) \quad x < n - k$$

$$(4) \quad y < n - k$$

۶۰- مکان هندسی ریشه‌های یک سیستم کنترلی با فیدبک واحد منفی برای تغییرات مثبت k به شکل زیر است. اگر پرورد نوسانات در حالت نامیرا $2\pi\sqrt{3}$ باشد، حداقل خطای حالت ماندگار به ورودی پله واحد چقدر می‌تواند باشد؟



$$(1) \quad \frac{27}{91}$$

$$(2) \quad \frac{27}{64}$$

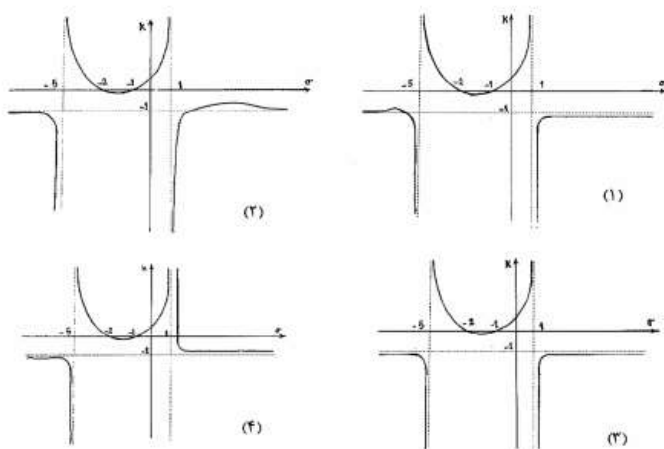
$$(3) \quad \frac{64}{91}$$

$$(4) \quad \frac{64}{27}$$

۶۱- تابع تبدیل پیشروی یک سیستم فیدبک واحد به صورت زیر داده شده است.

$$G(s) = \frac{k(s-1)(s+5)}{(s+2)(s+1)}$$

اگر مقدار k را بر حسب مقادیر حقیقی متغیر s ترسیم کنیم، کدام منحنی بدست می‌آید؟



۶۲- تابع انتقال حلقه باز $kG(s) = \frac{k}{(s-1)(s^2 + 4s + 7)}$ را در نظر بگیرید:

کدام گزینه در مورد مکان هندسی قطب‌های سیستم حلقه بسته با فیدبک واحد منفی درست است؟

- (۱) دایره‌ای به مرکز -1 و شعاع 1 جزء مکان هندسی است.
- (۲) تنها در بی‌نهایت مکان هندسی به خطوط راستی که در -1 تلاقی دارند مجانب می‌شود.
- (۳) مکان هندسی از خطوط راستی که در -1 تلاقی دارند تشکیل شده است.
- (۴) بخشی از دایره گذرنده از نقاط -1 و $-2 \pm j\sqrt{3}$ جزء مکان هندسی است.

-۶۳

کدام یک از جملات زیر درست است؟

(۱) استفاده از کنترل کننده PD همواره سبب افزایش فرجهش می‌شود.

(۲) زمان نشست تابع تبدیل $\frac{(1/25)^2}{s^2 + 2s + (1/25)^2}$ برابر است با ۴ ثانیه (با معیار دو درصد)(۳) عبور منحنی نایکوئیست از نقطه -1 نشان دهنده وجود ریشه‌هایی روی محور $j\omega$ است.(۴) زاویه خروج در نقاط ترک (مختلط یا حقیقی) از فرمول $\frac{180}{N}$ (N تعداد شاخه‌ها) تبعیت می‌کند.

-۶۴

دیگرام فاز کدام یک از توابع تبدیل زیر دارای کم‌ترین تغییرات فاز می‌باشد؟

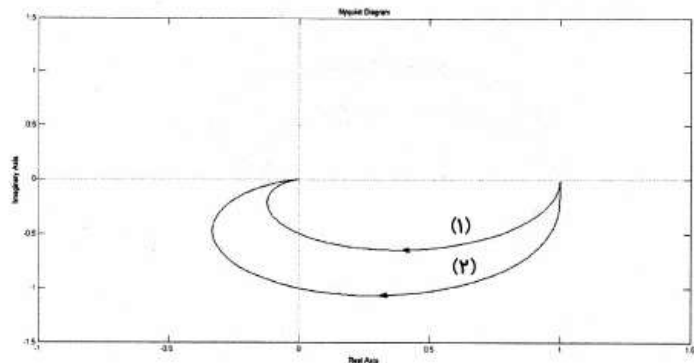
$$G(s) = \frac{s+1}{(s-1)^2} \quad (2) \qquad G(s) = \frac{1}{s^2-1} \quad (1)$$

$$G(s) = \frac{1}{(s+1)^2} \quad (4) \qquad G(s) = \frac{1}{s^2+1} \quad (3)$$

-۶۵

نمودار قطبی یک سیستم مرتبه دوم نوعی $\frac{\omega_n^2}{s^2 + 2\zeta\omega_n s + \omega_n^2}$ در دو حالت

زیر ترسیم شده است. در این صورت کدام عبارت صحیح می‌باشد؟



(۱) فرجهش سیستم (۱) بیشتر از فرجهش سیستم (۲) است.

(۲) پاسخ سیستم (۲) سریع‌تر از پاسخ سیستم (۱) می‌باشد.

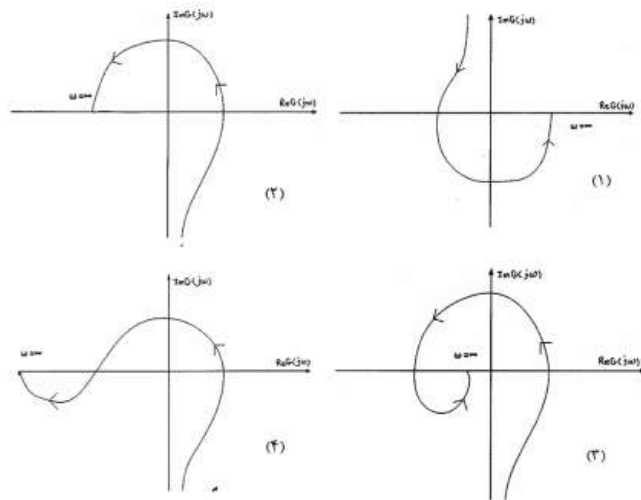
(۳) فرکانس محل تلاقی با محور موهومی نشان دهنده فرکانس نوسانات میرای سیستم است.

(۴) هر سه عبارت صحیح است.

۶۶- تابع تبدیل سیستمی به صورت زیر است:

$$G(s) = \frac{-(s+1)(s+2)(s+3)(s+4)}{s^2(s+100)}$$

کدام دیاگرام می‌تواند منحنی نایکوئیست این سیستم باشد؟



تجزیه و تحلیل سیستم‌ها

۶۷- سیگنال زمانی متناظر با تبدیل فوریه $X(j\omega) = \frac{e^{j\omega\tau}}{(\tau + j\omega)^2}$ کدام است؟

(۱) $e^{-\tau(t+\tau)} u(t-\tau)$ (۲) $e^{-\tau(t+\tau)} u(t+\tau)$

(۳) $(t-\tau)e^{-\tau(t-\tau)} u(t-\tau)$ (۴) $(t+\tau)e^{-\tau(t+\tau)} u(t+\tau)$

۶۸- در سیگنال $x(t) = A\delta(t) - \text{Sinc}(t)$ مقدار A چقدر باشد تا

$x(t) * x(t) = x(t)$ شود؟ (* علامت کانولوشن است)

(۱) ۰ (۲) $\frac{1}{2}$

(۳) ۱ (۴) ۲

- ۶۹- سیگنال زمان - گسسته $x[n]$ با تبدیل z برابر $X(z)$ و تبدیل فوریه زمان - گسسته $X(e^{j\omega})$ به صورت زیر مفروض است:

$$X(e^{j\omega}) = 2 + \cos \omega$$

اگر تبدیل z سیگنال زمان - گسسته $y[n]$ به صورت $Y(z) = X(z)^{\Delta}$

تعریف شود، در این صورت مقدار عبارت $\sum_{n=-\infty}^{\infty} y^{\Delta}[n]$ چقدر است؟

$$4 \quad (2) \qquad 4/5 \quad (1)$$

$$3 \quad (4) \qquad 3/5 \quad (3)$$

- ۷۰- ضرایب سری فوریه سیگنال زمان گسسته $x[n]$ با دوره تناوب ۸ به صورت روبرو می‌باشد.



سیگنال $y[n] = (x[n])^{\Delta}$ می‌باشد. اگر $y[k]$ ضرایب سری فوریه سیگنال $y[n]$ باشد، مقادیر $y[1]$ و $y[0]$ برابر کدام می‌باشند؟

$$y[1] = 1, y[0] = 1 \quad (2) \qquad y[1] = 0, y[0] = 1 \quad (1)$$

$$y[1] = 4, y[0] = 5 \quad (4) \qquad y[1] = 5, y[0] = 4 \quad (3)$$

-۷۱

کدام یک از عبارات زیر درست است؟

- (۱) تبدیل Z یک سیگنال دست راستی گسسته، حتماً دارای یک قطب می‌باشد.
- (۲) سیگنال $x[n] = e^{-j\omega n}$ لزوماً متناوب نیست، در نتیجه لزوماً تبدیل فوریه ندارد.
- (۳) با موازی کردن دو سیستم معکوس‌پذیر، حتماً یک سیستم معکوس‌پذیر ساخته می‌شود.
- (۴) اگر تابع سیستم یک سیستم پیوسته دارای دو قطب متمایز و یک صفر باشد، سه حالت مختلف می‌توان برای ROC آن متصور شد.

-۷۲

- کدام سیستم زیر با رابطه‌ی داده شده بین ورودی دلخواه $x(t)$ و خروجی $y(t)$ می‌تواند LTI (خطی و تغییرناپذیر با زمان) باشند. ($f(t)$ و $g(t)$ توابعی معین و غیر صفر از t هستند.)

$$\begin{array}{c}
 x(t) \rightarrow \boxed{\text{سیستم ۱}} \rightarrow y(t) \quad \Bigg| \quad x(t) \rightarrow \boxed{\text{سیستم ۲}} \rightarrow y(t) \\
 y(t) = \int_{-\infty}^t x(\alpha) g(\alpha - t) d\alpha \quad \Bigg| \quad y(t) = \int_{-\infty}^t f(\alpha) x(t - \alpha) d\alpha
 \end{array}$$

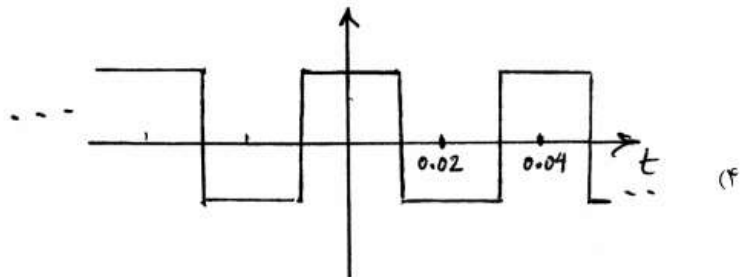
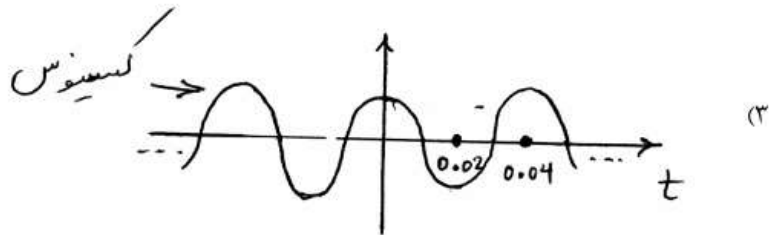
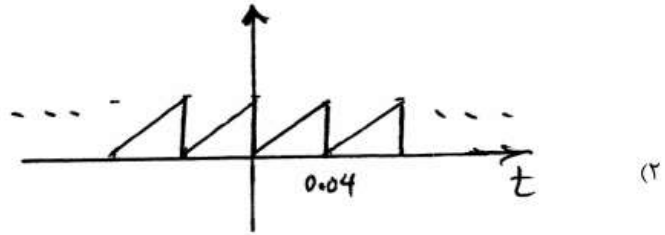
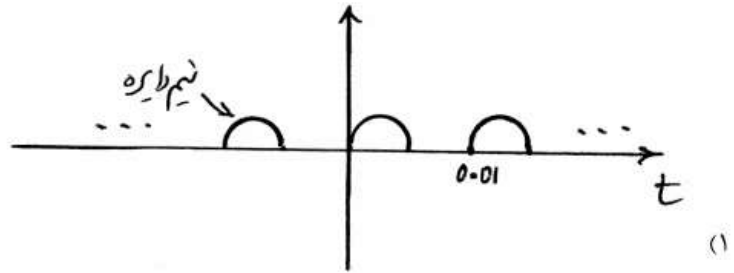
(۲) فقط سیستم ۲

(۱) فقط سیستم ۱

(۴) نه سیستم ۱ و نه سیستم ۲

(۳) هم سیستم ۱ و هم سیستم ۲

۷۳- فرض کنید خروجی یک سیستم LTI پایدار $g(t) = \cos(2\pi \times 50 \times t)$ است. در این صورت تنها یکی از سیگنال‌های زیر می‌تواند ورودی این سیستم بوده باشد. آن سیگنال کدام است؟



۷۶- در یک سیستم گسسته LTI علی با پاسخ ضربه $h[n]$ ، پاسخ پله $S[n]$ به صورت $S[n] = \delta[n] + ah[n-1]$ به دست می‌آید که در آن a یک عدد ثابت و مثبت است. برای مقادیری از a که سیستم پایدار است مقدار $h[0]$ و $h[\infty]$ عبارتست از:

$$(1) \quad h[0] = a, \quad h[\infty] = 1$$

$$(2) \quad h[0] = 1, \quad h[\infty] = 0$$

$$(3) \quad h[0] = 2, \quad h[\infty] = 1$$

(4) با توجه به نداشتن a قابل تعیین نیست.

۷۷- اگر تبدیل فوریه سیگنال $x[n]$ برابر $X(j\omega)$ باشد، تبدیل فوریه $x[2n+1]$ کدام است؟

$$(1) \quad X\left(\frac{j\omega}{2}\right) \quad (2) \quad \operatorname{Re}[X(j\omega)]$$

$$(3) \quad \frac{1}{2}X(j\omega) - \frac{1}{2}X(j(\omega-\pi)) \quad (4) \quad X\left(\frac{j\omega}{2}\right) - X\left(j\frac{\omega-\pi}{2}\right)$$

۷۸- سیستم با تابع تبدیل $H(z) = \frac{1}{z^{-1} - \frac{5}{2}z^{-2} + z^{-3}}$ را در بگیرید. این

سیستم:

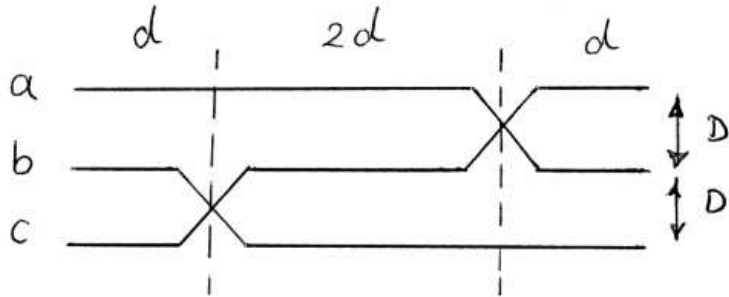
(1) اگر پایدار باشد، علی است.

(2) تحت هیچ شرایطی علی نیست.

(3) می‌تواند پایدار نباشد و علی باشد.

(4) ناحیه همگرایی آن حتماً دایره واحد را در برمی‌گیرد.

۷۹- در خط شکل زیر جابجایی فازها در فواصل یکسان انجام نشده است. اندوکتانس فاز C کدام گزینه است؟



$$2 \times 10^{-7} \ln \frac{D\sqrt{2}}{r'} \quad (2)$$

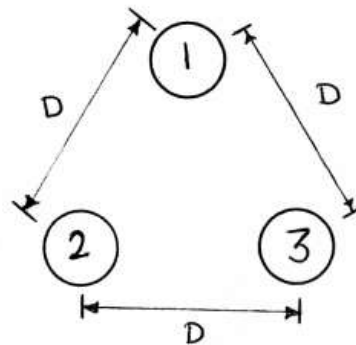
$$2 \times 10^{-7} \ln \frac{D\sqrt{2}}{r'} \quad (1)$$

$$2 \times 10^{-7} (\ln \frac{D}{r'} + \ln 2) \quad (4)$$

$$2 \times 10^{-7} (\ln \frac{D}{r'} - \ln 2) \quad (3)$$

۸۰- اندوکتانس واحد طول خط انتقال تکفاز به شکل زیر چقدر است؟
 هادی توپر ۱ هادی رفت، هادی‌های توپر ۲ و ۳، هادی‌های برگشت هستند. شعاع هر هادی r و فاصله بین هادی‌ها با هم برابر و برابر با D می‌باشد.

$$D_s = r e^{-\frac{1}{4}}$$



$$2 \times 10^{-7} \ln \frac{D}{D_s} \quad (2)$$

$$6 \times 10^{-7} \ln \frac{D}{D_s} \quad (1)$$

$$4 \times 10^{-7} \ln \frac{D}{D_s} \quad (4)$$

$$3 \times 10^{-7} \ln \frac{D}{D_s} \quad (3)$$

۸۱- در یک خط انتقال انرژی سه فاز بلند و بدون تلفات، برای فاز a و در نقطه‌ای به فاصله x از انتهای خط، کدام یک از روابط زیر صحیح است به شرطی که خط به باری با امپدانس برابر با امپدانس مشخصه ختم شده باشد.

ظرفیت واحد طول خط بر حسب فاراد: C

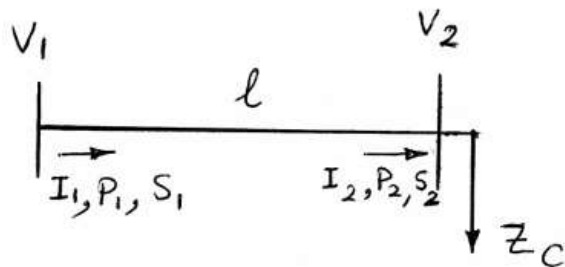
اندوکتانس واحد طول خط بر حسب هانری: L

فرکانس نامی: ω

$$|V_x|^2 \omega L = |I_x|^2 \omega C \quad (۲) \quad |V_x|^2 \omega C = |I_x|^2 \omega L \quad (۱)$$

$$|V_x| \omega^2 L^2 = |I_x| \omega^2 C^2 \quad (۴) \quad |V_x| \omega^2 C^2 = |I_x| \omega^2 L^2 \quad (۳)$$

۸۲- فرض کنید که یک خط انتقال به طول ℓ به صورت شعاعی برای تغذیه باری به اندازه امپدانس مشخصه خط (Z_C) به صورت شکل زیر به کار گرفته شده است. کدام یک از گزینه‌های زیر صحیح است؟ ($\gamma = \alpha + j\beta$) ثابت انتشار خط)



$$\frac{|P_2|}{|P_1|} = e^{2\alpha\ell} \quad (۲)$$

$$\frac{|V_2|}{|V_1|} = e^{\alpha\ell} \quad (۱)$$

$$\frac{|V_2||I_1|}{|V_1||I_2|} = 1 \quad (۴)$$

$$\frac{|I_2|}{|I_1|} = e^{\alpha\ell} \quad (۳)$$

۸۳- یک خط انتقال انرژی سه فاز بلند به طول ℓ و بدون تلفات مفروض است. یکبار فرض کنید خط بی‌بار است (NL) و یکبار فرض کنید انتهای خط اتصال کوتاه (SC) است. برای فاز a نسبت ولتاژها در نقطه‌ای به فاصله x از انتهای خط در دو حالت فوق، به شرطی که در هر دو حالت ولتاژ ابتدای خط ثابت فرض شود، چقدر می‌باشد؟

ثابت فاز: β

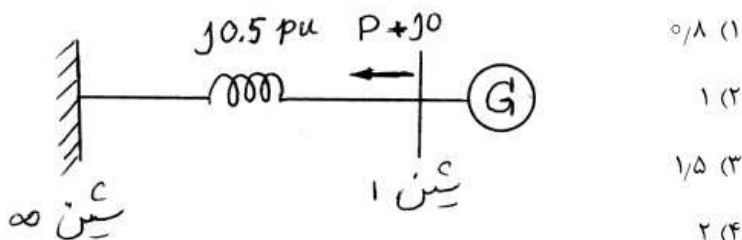
$$\frac{V_x^{NL}}{V_x^{SC}} = \sin \beta \ell \sin \beta x \cos \beta \ell \cos \beta x \quad (1)$$

$$\frac{V_x^{NL}}{V_x^{SC}} = \left(\frac{\cos \beta x}{\cos \beta \ell} \right) \left(\frac{\sin \beta \ell}{\sin \beta x} \right) \quad (2)$$

$$\frac{V_x^{NL}}{V_x^{SC}} = \left(\frac{\cos \beta x}{\cos \beta \ell} \right) \left(\frac{\sin \beta x}{\sin \beta \ell} \right) \quad (3)$$

$$\frac{V_x^{NL}}{V_x^{SC}} = \left(\frac{\cos \beta \ell}{\cos \beta x} \right) \left(\frac{\sin \beta x}{\sin \beta \ell} \right) \quad (4)$$

۸۴- در شبکه زیر، اندازه ولتاژ شین بی‌نهایت ۱ p.u. است. حداکثر توان اکتیو تولیدی ژنراتور متصل به شین ۱ با فرض صفر بودن توان راکتیو تولیدی آن چند p.u. است؟



- ۸۵- در صورتی که در یک شبکه با سه باس بار، یک بانک خازنی به امپدانس $j5 \circ$ - به باس شماره ۳ وصل و همزمان یک راکتور به امپدانس $j5 \circ$ از باس شماره ۱ قطع شود، ماتریس ΔY_{bus} برابر است با:

$$(Y_{bus}^{New} = Y_{bus}^{old} + \Delta Y_{bus})$$

$$\begin{bmatrix} -j0.02 & 0 & 0 \\ 0 & 0 & 0 \\ 0 & 0 & j0.02 \end{bmatrix} \quad (2) \quad \begin{bmatrix} -j0.02 & 0 & 0 \\ 0 & 0 & 0 \\ 0 & 0 & -j0.02 \end{bmatrix} \quad (1)$$

$$\begin{bmatrix} j0.02 & 0 & 0 \\ 0 & 0 & 0 \\ 0 & 0 & -j0.02 \end{bmatrix} \quad (4) \quad \begin{bmatrix} j0.02 & 0 & 0 \\ 0 & 0 & 0 \\ 0 & 0 & j0.02 \end{bmatrix} \quad (3)$$

- ۸۶- ثابت‌های یک خط انتقال بلند سه فاز برابر است با: $A = D = 0.8 \angle 0^\circ$ و $B = 200 \angle 90^\circ$. در صورتی که اندازه ولتاژ سمت گیرنده در شرایط بار کامل 0.8% اندازه ولتاژ سمت فرستنده باشد، رگولاسیون ولتاژ خط چند درصد است؟

$$(1) \text{ حدود } 36 \quad (2) \text{ حدود } 44$$

$$(3) \text{ حدود } 56 \quad (4) \text{ حدود } 64$$

- ۸۷- در یک خط انتقال 50 Hz ، با طول 200 km ، ولتاژ در سمت فرستنده 220 kV می‌باشد. پارامترهای خط $A = 1 \angle 0^\circ$ و $B = 10 \sqrt{2} \angle 45^\circ$ هستند. انتهای خط به یک ترانسفورماتور بی‌بار ختم شده است که حداکثر ولتاژ قابل تحمل آن 200 kV است. در هنگام وصل منبع به ابتدای خط، اندوکتانس راکتوری که باید در سمت اولیه ترانسفورماتور قرار دهیم تا از صدمه دیدن آن ممانعت شود چقدر است؟

$$\frac{1}{\pi} \quad (1) \quad \frac{2}{\pi} \quad (2)$$

$$\frac{10}{\pi} \quad (3) \quad \frac{20}{\pi} \quad (4)$$

۸۸- یک خط انتقال انرژی سه فاز مفروض است و داریم:

بارگذاری طبیعی وقتی که از تلفات صرفنظر نشود $\rightarrow \text{SIL}_1$

بارگذاری طبیعی وقتی از تلفات صرفنظر شود $\rightarrow \text{SIL}_p$

نسبت $\frac{\text{SIL}_1}{\text{SIL}_p}$ چیست؟

مقاومت در واحد طول خط در هر فاز: R

اندوکتانس در واحد طول خط در هر فاز: L

کاپاسیتانس در واحد طول خط در هر فاز: C

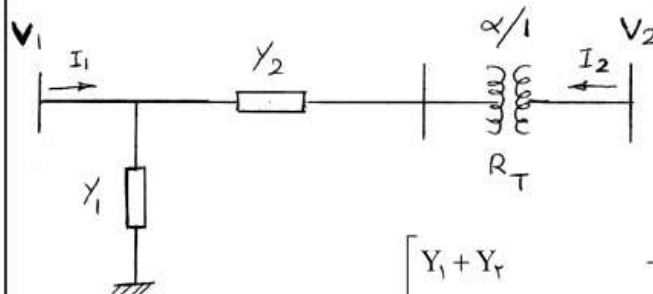
هدایت در واحد طول خط در هر فاز: $G = 0$

$$\sqrt{\frac{j\omega C}{R + j\omega C}} \quad (2) \qquad \sqrt{\frac{j\omega L}{R + j\omega L}} \quad (1)$$

$$\sqrt{\frac{R + j\omega C}{j\omega C}} \quad (4) \qquad \sqrt{\frac{R + j\omega L}{j\omega L}} \quad (3)$$

۸۹- در شبکه شکل زیر tap ترانسفور ماتور، ایده‌آل در نظر گرفته می‌شود Y_{BUS}

این شبکه کدام است؟



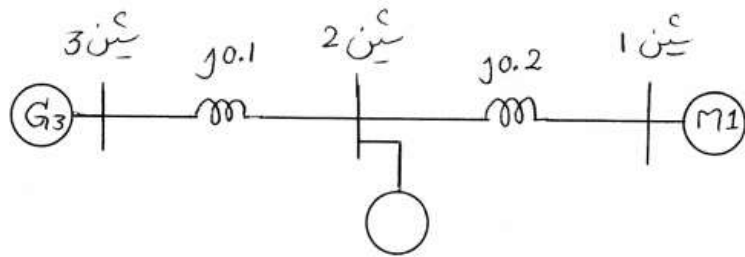
$$\begin{bmatrix} Y_1 + Y_r & -\alpha^* Y_r \\ -\alpha Y_r & |\alpha|^2 Y_r \end{bmatrix} \quad (1)$$

$$\begin{bmatrix} Y_1 + Y_r & -\alpha Y_r \\ -\alpha^* Y_r & |\alpha|^2 Y_r \end{bmatrix} \quad (2)$$

$$\begin{bmatrix} Y_1 + Y_r & -\frac{1}{\alpha} Y_r \\ -\frac{1}{\alpha} Y_r & \frac{1}{|\alpha|^2} Y_r \end{bmatrix} \quad (3)$$

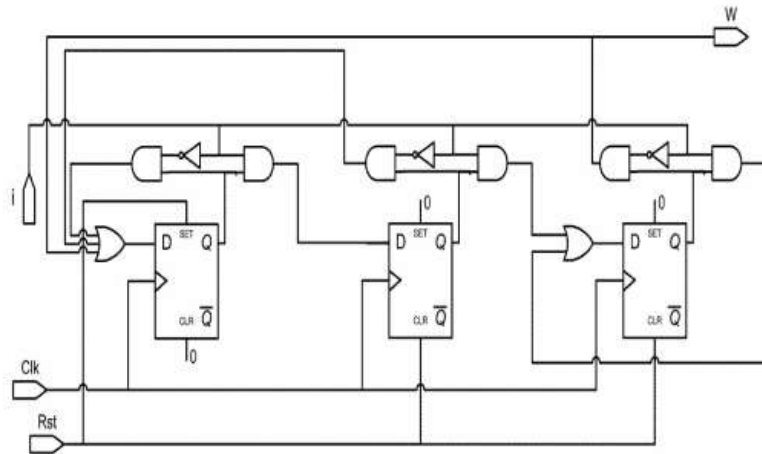
$$\begin{bmatrix} Y_1 + Y_r & -\frac{1}{\alpha} Y_r \\ -\frac{Y_r}{\alpha^*} & \frac{Y_r}{|\alpha|^2} \end{bmatrix} \quad (4)$$

۹۰- در شبکه شکل زیر، اندازه ولتاژ شین‌های ۱ و ۳، برابر با 1 p.u. است. همچنین موتور سنکرون متصل به شین ۱، توان راکتیوی برابر با نصف توان راکتیو تولیدی ژنراتور شین ۳، تولید می‌کند. کدام یک از عبارات زیر در مورد توان اکتیو ماشین متصل به شین ۲ صحیح است؟



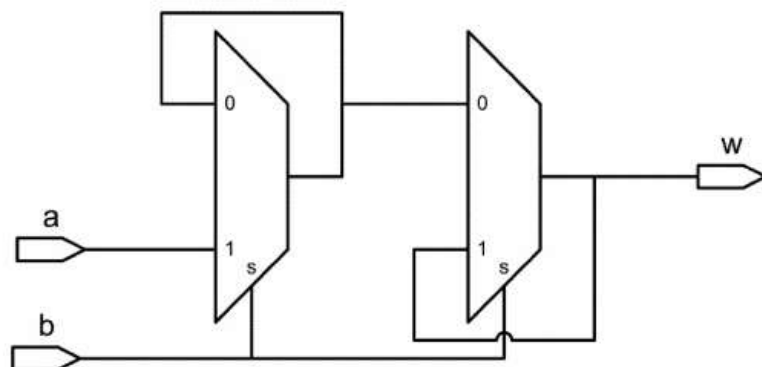
- (۱) این ماشین توان اکتیوی برابر با توان اکتیو موتور شین ۱، مصرف می‌کند.
- (۲) این ماشین توان اکتیوی برابر با نصف توان اکتیو موتور شین ۱، مصرف می‌کند.
- (۳) این ماشین توان اکتیوی برابر با نصف توان اکتیو مولد شین ۳ تولید می‌کند.
- (۴) این ماشین توان اکتیوی برابر با توان اکتیو مولد شین ۳ تولید می‌کند.

۹۱- در مدار زیر کدام عبارت صحیح است:



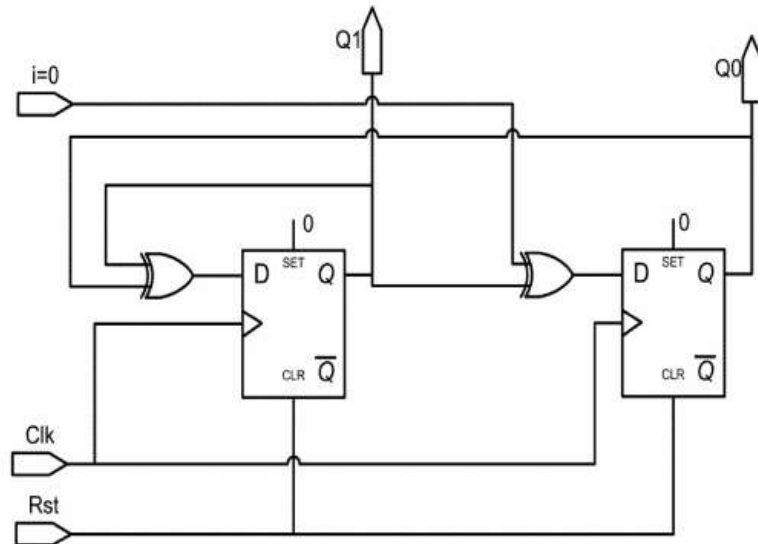
- (۱) این یک مدار میلی است که دنباله 110 را بر روی i تشخیص می دهد.
- (۲) این مدار Moore است که دنباله 101 را بر روی i تشخیص می دهد.
- (۳) در این مدار پس از دریافت 10 بر روی i ، خروجی W وابسته ورودی می شود.
- (۴) در این مدار پس از reset شدن توسط یک پالس بر روی Rst ، پس از سه بار پشت سرهم بر روی i ، خروجی W به مدت یک clock یک خواهد شد.

۹۲- این مدار چیست؟



- (۱) یک latch است.
- (۲) یک T-type فلیپ فلاپ است.
- (۳) یک master-slave فلیپ فلاپ است.
- (۴) یک فلیپ فلاپ با rising edge است.

۹۳- در مدار زیر کدام عبارت صحیح است:



(۱) این مدار یک شمارنده دوبیتی Gray است.

(۲) این مدار یک شمارنده دو بیتی Binary است.

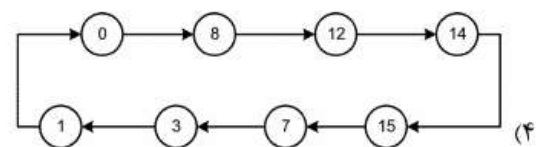
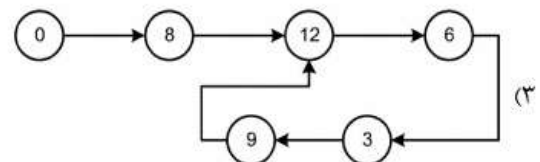
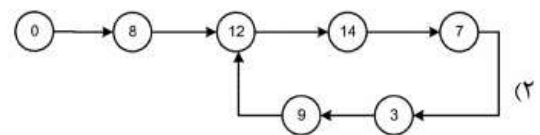
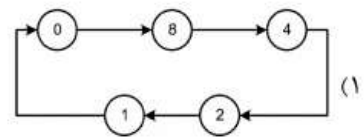
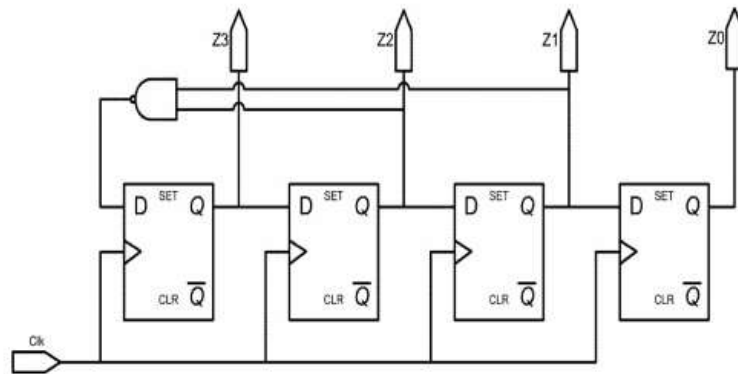
(۳) پس از reset شدن مدار هرگز از حالت ۰۰ خارج نخواهد شد.

(۴) پس از reset شدن توسط پالس بر روی R، در سه کلاک بعد، خروجی های

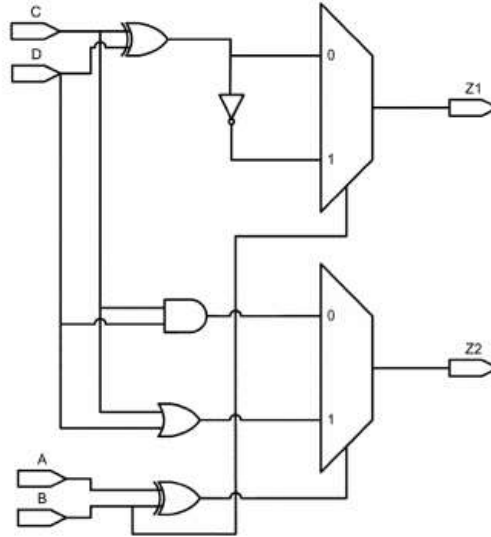
مدار به ترتیب ۰۰، ۱۰ و ۱۱ می شود.

۹۴- پس از Reset فلیپ فلاپ‌ها مدار چه دوره شماری را روی خروجی‌ها

(Z_3, Z_2, Z_1, Z_0) تکرار می‌کند؟



۹۵- شکل زیر چه مداری را معرفی می کند؟



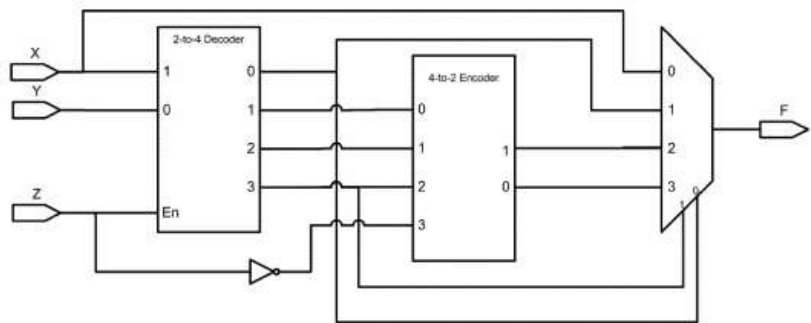
(۱) انکودر ۴ خط به ۲ خط

(۲) جمع کننده دو عدد دو بیتی

(۳) جمع کننده / تفریق کننده کامل

(۴) تعیین حاصل ضرب دو عدد دو بیتی

۹۶- خروجی F کدام است؟



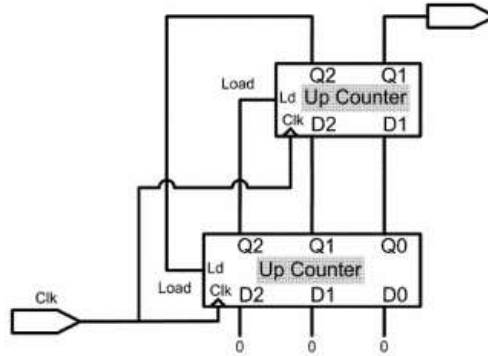
(۱) $X + Y'Z$

(۲) $X + YZ'$

(۳) $X' + YZ$

(۴) $X' + YZ'$

۹۷- در مدار زیر حالت اولیه صفر است. پس از چند پالس ساعت، مدار به حالت اولیه باز می‌گردد:



(۲) ۴ پالس

(۱) ۳ پالس

(۴) هیچکدام

(۳) ۵ پالس

۹۸- با توجه به جدول عبور (transition) یک مدار ترتیبی آسنکرون، تعداد مسابقات (race) بحرانی و غیر بحرانی چند است؟

	00	01	11	10
00	00	11	00	01
01	00	11	01	01
11	00	11	01	10
10	10	11	10	11

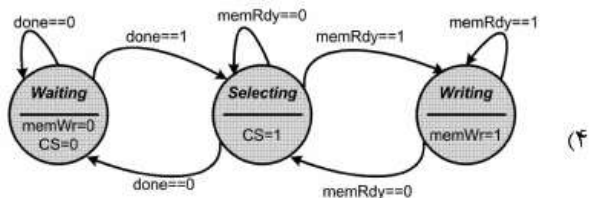
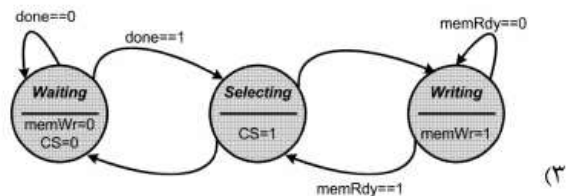
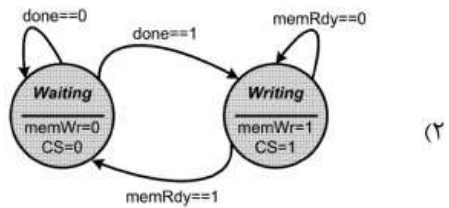
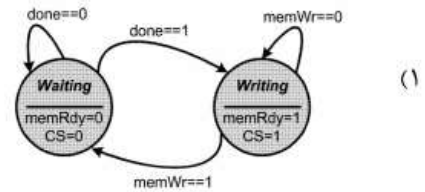
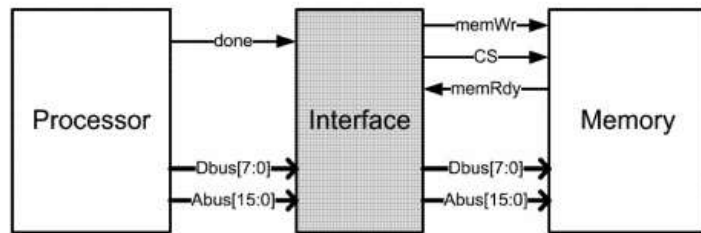
(۱) یک مسابقه بحرانی و یک مسابقه غیر بحرانی

(۲) دو مسابقه بحرانی و دو مسابقه غیر بحرانی

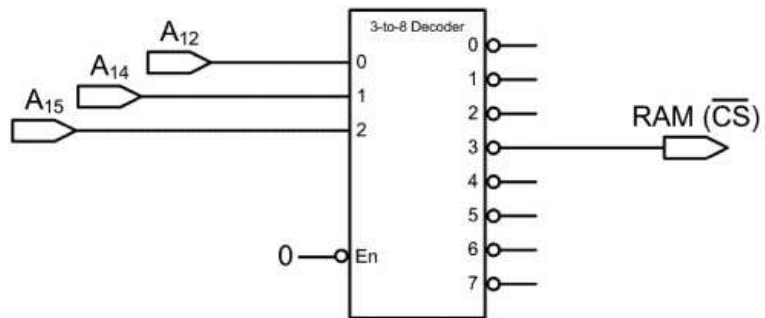
(۳) سه مسابقه بحرانی و یک مسابقه غیر بحرانی

(۴) سه مسابقه بحرانی و دو مسابقه غیر بحرانی

۹۹- در شکل زیر مدار **Interface** بین پروسوسور و حافظه ارتباط برقرار می‌کند. پروسوسور برای نوشتن، یک پالس همزمان با آدرس و دیتا روی **done** قرار می‌دهد. مدار **Interface**، دیتا و حافظه را گرفته و با فعال کردن سیگنال‌های حافظه، دیتا را در محل آدرس می‌نویسد. پس از پایان کار حافظه سیگنال **memRdy** را یک می‌کند. کدام **state diagram** کنترلر مدار **Interface** است؟



۱۰۰- در یک سیستم ۸ بیتی با خطوط آدرس A_0 تا A_{15} و با توجه به اتصالات خطوط آدرس به Decoder آدرس، بیشترین حجم حافظه RAM که می‌توان به هر خروجی decoder متصل نمود چقدر است؟



۴k (۲)

۲k (۱)

۱۶k (۴)

۸k (۳)

۱۰۱- برنامه زیر به زبان اسمبلی 8085 چه عملی انجام می‌دهد؟

```
MOV R0, #60H
LOOP: MOV @R0, #0
      INC R0
      CJNE R0, #80H, LOOP
      SJMP $
```

(۱) فضای $0H$ تا $80H$ را با 0 پر می‌کند.

(۲) فضای $60H$ تا $80H$ را با 0 پر می‌کند.

(۳) فضای $0H$ تا $7FH$ را با اعداد 0 تا $7FH$ پر می‌کند.

(۴) فضای $60H$ تا $7FH$ در RAM داخلی را با 0 پر می‌کند.

۱۰۲- در یک تایمر پالس ساعت ورودی دارای پریود $1 \mu s$ میکروتانیه می‌باشد و در ثبات مقسم عدد 200000 نوشته شده است. برای تولید 2 دقیقه چه عددی در شمارنده باید نوشته شود:

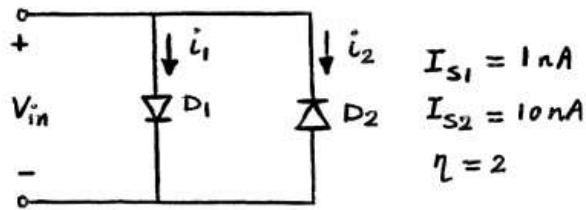
۶۰۰۰۰ (۲)

۶۰۰۰۰۰ (۱)

۶۰۰ (۴)

۶۰۰۰ (۳)

۱۰۳- در مدار شکل زیر، جریان اشباع معکوس دیودهای D_1 و D_2 به ترتیب برابر با 1 nA و 10 nA است. به ازای چه مقداری از ولتاژ ورودی V_{in} جریان i_2 دو برابر i_1 است؟



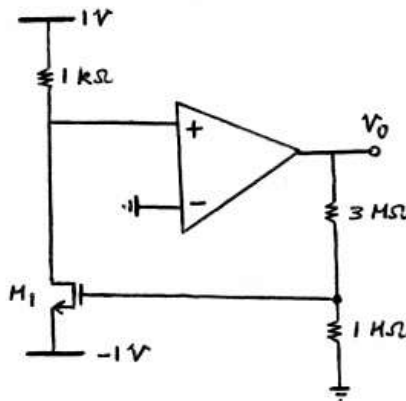
V_T (۱)

$2V_T$ (۲)

$2V_T \ln 2$ (۳)

$2V_T \ln 5$ (۴)

۱۰۴- در مدار شکل زیر تقویت کننده عملیاتی ایده آل است. مقدار ولتاژ V_o چند ولت است؟



$$M_1 = \begin{cases} V_{TH} = 2V \\ \mu_n C_{ox} \frac{W}{L} = 2\text{ mA/V}^2 \end{cases}$$

۶ (۲)

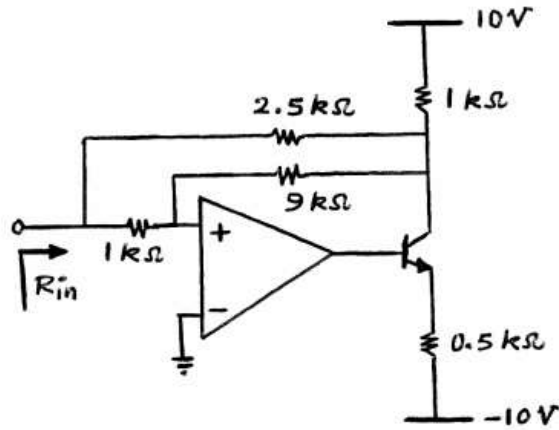
۴ (۱)

۱۰ (۴)

۸ (۳)

۱۰۵- در مدار شکل زیر تقویت کننده عملیاتی ایده آل است. مقدار مقاومت ورودی

R_{in} چند اهم است؟



۱۰۰۰ (۲)

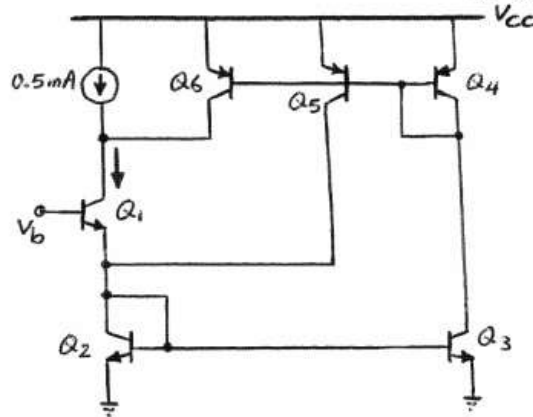
۲۵۰ (۱)

۸۰۰ (۴)

۲۰۰ (۳)

۱۰۶- در مدار شکل زیر همه ترانزیستورها در ناحیه فعال بایاس شده‌اند. مقدار جریان

کلکتور Q_1 چند میلی آمپر است؟



$\beta \gg 1$

$A_{E2} = 2 A_{E3}$

$A_{E4} = 2 A_{E5,6}$

۱ (۲)

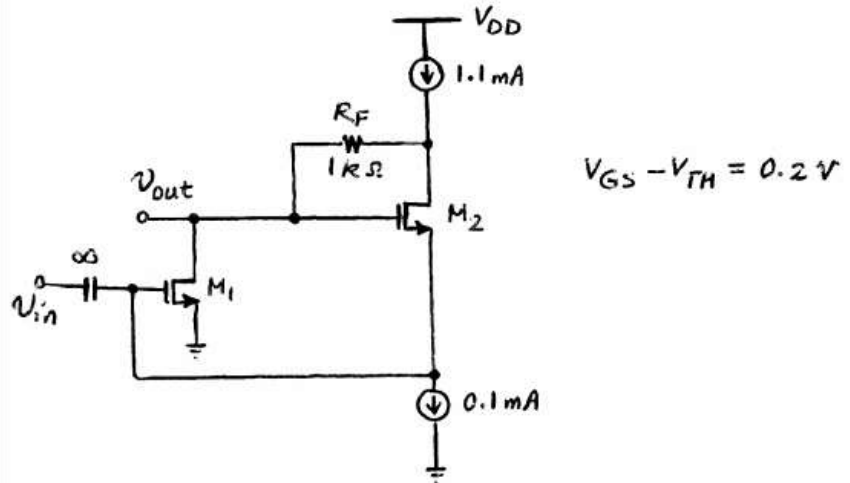
۰٫۷۵ (۱)

۱٫۵ (۴)

۱٫۲۵ (۳)

۱۰۷- در مدار شکل زیر همه ترانزیستورها در ناحیه اشباع بایاس شده‌اند و منابع

جریان ایده‌آل هستند. مقدار بهره ولتاژ $A_v = \frac{V_{out}}{V_{in}}$ آن برابر کدام است؟



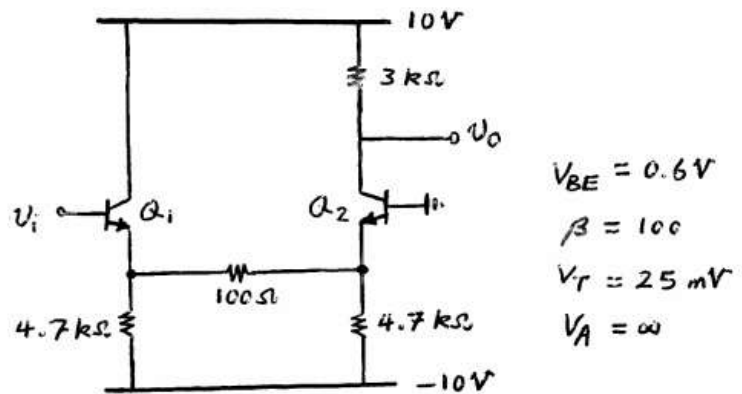
۱۱ (۲)

۲۰ (۱)

۹ (۴)

۱۰ (۳)

۱۰۸- مقدار تقریبی بهره ولتاژ تقویت کننده شکل زیر $(A_v = \frac{V_o}{V_i})$ ، کدام است؟



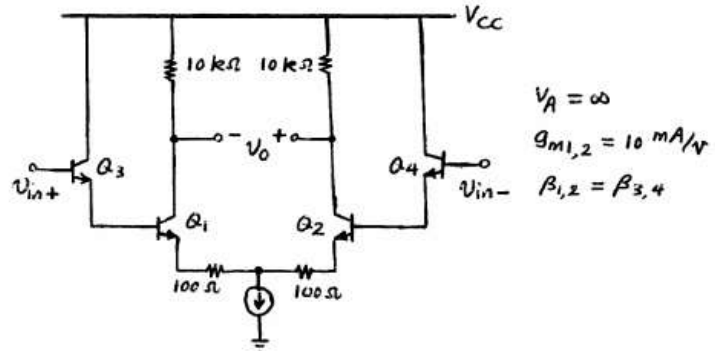
۲۴ (۲)

۶۴ (۱)

۴۸ (۴)

۳۰ (۳)

۱۰۹- مقدار بهره ولتاژ تفاضلی $A_d = \frac{V_o}{v_{in+} - v_{in-}}$ مدار شکل زیر تقریباً چقدر است؟



۶۶ (۲)

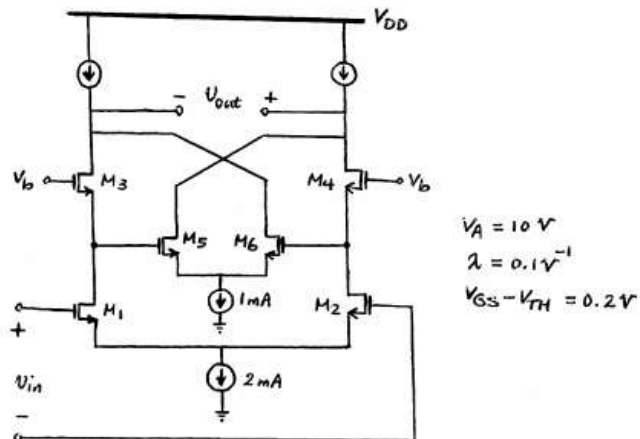
۱۰۰ (۱)

۳۳ (۴)

۵۰ (۳)

۱۱۰- در مدار شکل زیر همه ترانزیستورهای متناظر با هم یکسان بوده و در ناحیه اشباع بایاس شده‌اند. منابع جریان ایده‌آل هستند. مقدار بهره ولتاژ

$A_v = \frac{V_{out}}{V_{in}}$ آن تقریباً برابر کدام است؟



۲۰۰ (۲)

۱۰۰ (۱)

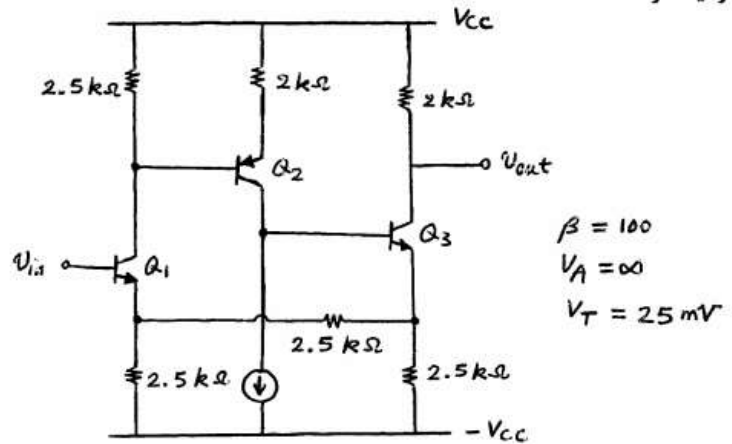
۴۰۰ (۴)

۳۰۰ (۳)

۱۱۱- در مدار شکل زیر، جریان‌های بایاس به صورتی انتخاب شده‌اند که

$$g_{m1} = g_{m2} = g_{m3} = 4 \text{ mA/V}$$

مقدار بهره حلقه آن به کدام گزینه نزدیک‌تر است؟

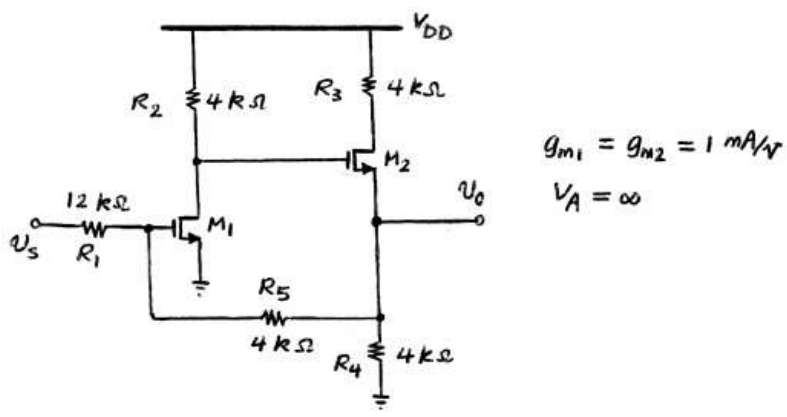


۶۲/۵ (۱)

۱۲۵ (۳)

۱۱۲- در تقویت کننده شکل زیر تمامی ترانزیستورها در ناحیه اشباع بایاس شده‌اند.

مقدار بهره ولتاژ $\frac{V_o}{V_s}$ به کدام گزینه نزدیکتر است؟

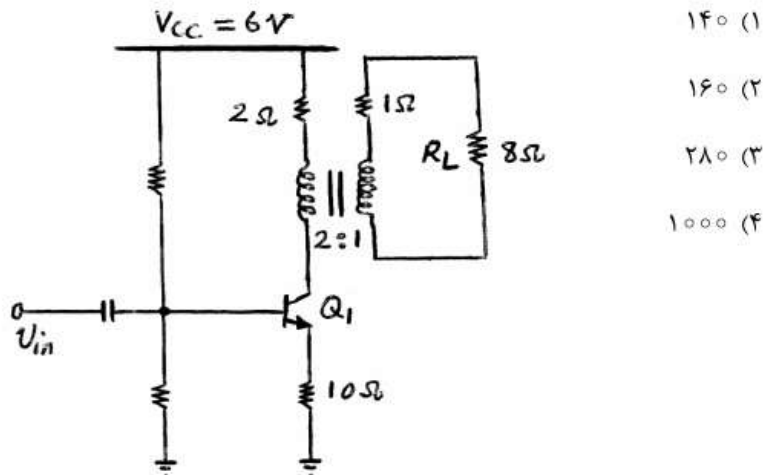


$\frac{1}{3}$ (۱)

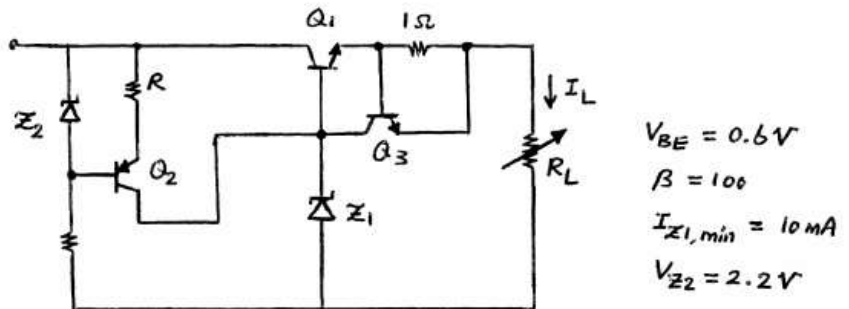
$\frac{1}{6}$ (۳)

۱۱۳- در تقویت کننده قدرت کلاس A شکل زیر توان ماکزیمم تحویلی به یک بلندگوی ۸ اهم به کدام گزینه برحسب میلی وات، نزدیک تر است؟ (نسبت تعداد دور سیم

پیچها $\frac{N_1}{N_2} = 2$ و $V_{CE,sat} = 0V$ هستند.)



۱۱۴- منبع تغذیه زیر برای ولتاژ خروجی ۶ ولت طراحی شده است. مقدار حداکثر جریان بار ($I_{L,max}$ بر حسب میلی آمپر) و مقاومت R (برحسب اهم) به کدام گزینه نزدیک تر است؟



۱۷۵.۶۰۰ (۲) ۱۰۰.۶۰۰ (۱)

۱۰۰.۱۲۰۰ (۴) ۷۳.۱۲۰۰ (۳)

۱۱۵- یک موتور dc سری با مدار مغناطیسی خطی مفروض است. این موتور از یک منبع با ولتاژ V تغذیه شده و زیر گشتاور نامی با سرعت n_0 کار می‌کند. تعداد دورهای سیم‌پیچی میدان نصف می‌شود و سپس گشتاور بار دو برابر شده و موتور با ولتاژ $\frac{V}{4}$ تغذیه می‌شود. مقدار جدید سرعت چقدر است؟ از افت ولتاژ در سیم‌پیچی‌ها و نیز تلفات مکانیکی موتور چشم‌پوشی می‌شود.

$$(1) \frac{n_0}{4} \quad (2) \frac{n_0}{2}$$

$$(3) 2n_0 \quad (4) 4n_0$$

۱۱۶- مشخصه بی‌باری یک ماشین dc در سرعت 1000 rpm به صورت جدول داده شده است. ماشین به صورت موتور شنت از یک منبع ولتاژ 240 V ولتی تغذیه شده و با سرعت 2000 rpm کار می‌کند. اگر ولتاژ منبع به 180 V ولت کاهش داده شود، مقدار جدید سرعت چند rpm می‌شود؟ موتور بی‌بار است و در این حالت از کلیه تلفات موتور چشم‌پوشی می‌شود.

جریان میدان I_{sh}	۰	۱	۲	۳	۴	۵	۶	۷
نیروی محرکه E_a	۰	۵۰	۹۰	۱۱۰	۱۲۰	۱۲۵	۱۳۰	۱۳۵

$$(1) 1375 \quad (2) 1500$$

$$(3) 1636 \quad (4) 2000$$

۱۱۷- یک موتور dc سری از منبع 125 V ولتی تغذیه شده و با سرعت 1200 rpm کار می‌کند. جریان آرمیچر در این حالت 5 A آمپر است. اگر ولتاژ منبع به 190 V ولت افزایش داده شده و همزمان، گشتاور بار $2\sqrt{2}$ برابر شود، سرعت موتور چند rpm می‌شود؟ مقاومت آرمیچر و میدان جمعاً $1 \text{ } \Omega$ اهم است. مدار مغناطیسی موتور غیرخطی است به طوری که فلوی هر قطب با جذر جریان میدان متناسب است.

$$(\phi \propto \sqrt{I_s}) \text{ از عکس‌العمل آرمیچر چشم‌پوشی می‌شود.}$$

$$(1) 900 \quad (2) 900\sqrt{2}$$

$$(3) 1800 \quad (4) 1800\sqrt{2}$$

۱۱۸- اگر مشخصه مغناطیسی هسته آهنی یک ترانسفورماتور خطی فرض شود، در مورد تلفات آهن آن در ولتاژ و فرکانس نامی می‌توان گفت:

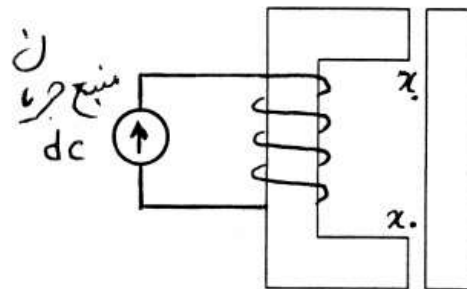
(۱) تلفات فوکو غیر صفر ولی تلفات هیستریزیس صفر است.

(۲) تلفات هیستریزیس غیر صفر ولی تلفات فوکو صفر است.

(۳) هر دو مؤلفه تلفات (فوکو و هیستریزیس) موجود و غیر صفر هستند.

(۴) با توجه به خطی بودن هسته، ترانسفورماتور فاقد تلفات آهن است (هر دو مؤلفه تلفات صفر هستند).

۱۱۹- مقدار اولیه طول هریک از فواصل هوایی در مبدل الکترومکانیکی شکل زیر x_0 فرض می‌شود. مقدار انرژی ذخیره شده در میدان در این حالت W_{f0} فرض می‌شود. اگر طول فواصل هوایی نصف شود، قدر مطلق انرژی مبادله شده با منبع جریان (ΔW_e) و نیز تغییر انرژی ذخیره شده در میدان (ΔW_f) چقدر است؟ از افت آمپر - دور در آهن، مقاومت اهمی سیم‌پیچی، نشست فلو و نیز پراکندگی فلو در فواصل هوایی صرف‌نظر می‌شود.



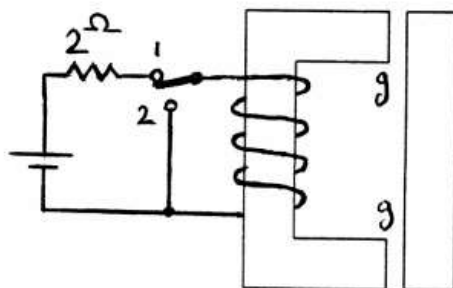
$$\Delta W_f = W_{f0}, \quad \Delta W_e = W_{f0} \quad (1)$$

$$\Delta W_f = 2W_{f0}, \quad \Delta W_e = W_{f0} \quad (2)$$

$$\Delta W_f = W_{f0}, \quad \Delta W_e = 2W_{f0} \quad (3)$$

$$\Delta W_f = 2W_{f0}, \quad \Delta W_e = 2W_{f0} \quad (4)$$

۱۲۰- طول فاصله هوایی در رله شکل مقابل g فرض می‌شود. جریان اولیه سیم‌پیچی با استفاده از مدار نشان داده شده در $2/5$ آمپر تنظیم می‌شود (ابتدا کلید به مدت طولانی در حالت ۱ است و در یک لحظه به حالت ۲ برده می‌شود). مقاومت اهمی سیم‌پیچی صفر فرض می‌شود. اگر در این حالت طول فاصله هوایی به تدریج به $\frac{g}{2}$ کاهش داده شود، مقدار ماندگار جریان در سیم‌پیچی چند آمپر خواهد شد؟ از افت آمپر دور در هسته، و نیز از پراکندگی و نشت فلو چشم‌پوشی می‌شود.



(۱) ۱/۲۵

(۲) ۲/۵

(۳) ۵

(۴) صفر

۱۲۱- یک ترانسفورمر تک فاز دو سیم پیچه معمولی 10 kVA ، $\frac{2500 \text{ V}}{250 \text{ V}}$ به صورت

یک اتوترانسفورمر با نسبت تبدیل $\frac{2250 \text{ V}}{2500 \text{ V}}$ بسته شده است. توان ظاهری

اتوترانس چند kVA است؟

(۱) ۱۱

(۲) ۹

(۳) ۱۱۰

(۴) ۹۰

۱۲۲- جریان مغناطیس‌کنندگی یک ترانسفورماتور تک‌فاز با اولیه N_1 دوری و هنگام تغذیه از یک منبع سینوسی I_0 آمپر است. مشخصه مغناطیسی هسته آهنی خطی فرض می‌شود. یک ترانسفورماتور دیگر با همان تعداد دور سیم‌پیچی اولیه و با جنس هسته مشابه مفروض است. ابعاد طولی هسته ترانسفورماتور دوم در هر سه جهت $\sqrt{2}$ برابر ابعاد متناظر ترانسفورماتور اول است. اگر این ترانسفورماتور از همان منبع سینوسی تغذیه شود، جریان مغناطیس‌کنندگی آن چقدر خواهد شد؟

$$(1) \frac{I_0}{2}$$

$$(2) \frac{\sqrt{2}}{2} I_0$$

$$(4) 2I_0$$

$$(3) \sqrt{2} I_0$$

۱۲۳- یک ترانسفورماتور تک‌فاز $\frac{200V}{100V}$ ، $1000 VA$ مفروض است. امپدانس شاخه سری در مدار معادل این ترانسفورماتور از سمت فشار قوی شامل فقط یک شاخه سری متشکل از یک سلف خالص با راکتانس 10Ω است. به ازای چه مقدار ضریب توان بار، رگولاسیون ترانسفورماتور در جریان نامی برابر صفر می‌شود؟

$$(2) \frac{\sqrt{15}}{4}$$

$$(4) \frac{\sqrt{63}}{8}$$

$$(1) \frac{\sqrt{3}}{2}$$

$$(3) \frac{\sqrt{48}}{7}$$

۱۲۴- در یک موتور القایی سه فاز قفس سنجابی، گشتاور ماکزیمم ۲ برابر گشتاور بار کامل است. اگر موتور به روش ستاره - مثلث راه‌اندازی شود، گشتاور راه‌اندازی چند برابر گشتاور نامی خواهد بود؟ مقاومت و راکتانس حالت سکون هر فاز روتور ارجاع شده به سمت استاتور به ترتیب برابر 2Ω و 2Ω است. از امپدانس استاتور صرف‌نظر می‌شود.

$$(2) 0.198$$

$$(4) 0.594$$

$$(1) 0.132$$

$$(3) 0.396$$

۱۲۵- در یک موتور القایی ۳ فاز با اتصال ستاره، ۴ قطبی و 50° هرتزی، $R_s = R_r'$ است. از اثر X_m و تلفات چرخشی صرف‌نظر می‌شود. بازده موتور در لغزش 10° درصد، تقریباً چند درصد می‌شود؟

(۱) ۹۰ (۲) ۸۶

(۳) ۸۲ (۴) ۷۸

۱۲۶- یک موتور القایی چهار قطبی سه فاز 50° Hz ، $9/5 \text{ kW}$ مفروض است. تلفات مکانیکی این موتور در سرعت نامی 1455 برابر 200 W است. در صورتی که جریان روتور برابر ۵ باشد، مقاومت هر فاز روتور چند اهم است؟

(۱) $11/5$ (۲) ۱۲

(۳) $3/8$ (۴) ۴

۱۲۷- سیم‌هادی به طول ۲ متر روی محور z به طور متقارن در صفحه $x = 0$ دارای

توزیع جریان I به صورت مثلثی و در امتداد محور z می‌باشد. جریان در $z = 0$

حداکثر و برابر با I_0 (برحسب آمپر) و در $z = -1\text{m}$ و $z = 1\text{m}$ برابر با صفر

است. کار انجام شده برای حرکت دادن این سیم به طور موازی در صفحه $x = 0$

به نقطه $y = 1.0\text{m}$ در میدان مغناطیسی $\left(\frac{wb}{m}\right) \hat{a}_x e^{-\rho/1y}$ ، $\vec{B} = 10^{-4}$ ، کدام

است؟

$$-10^{-3} I_0 \frac{e^{-1}}{e} \quad (2) \qquad -10^{-3} I_0 \frac{1-e}{e} \quad (1)$$

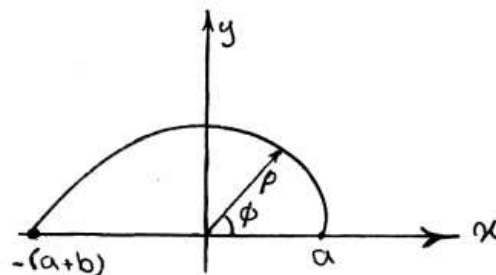
$$2 \times 10^{-3} I_0 \frac{e^{-1}}{e} \quad (4) \qquad 2 \times 10^{-3} I_0 \frac{1-e}{e} \quad (3)$$

۱۲۸- یک قطعه سیم به شکل مارپیچ ارشمیدس خم گردیده که معادله آن توسط

$\rho = a + \frac{b}{\pi} \phi$ ($0 \leq \phi \leq \pi$) در دستگاه مختصات استوانه‌ای داده می‌شود.

سیم در صفحه xy قرار دارد و مطابق شکل حامل جریان I می‌باشد. میدان

مغناطیسی \vec{B} در مبدا مختصات، کدام است؟



$$\frac{\mu_0 I}{\pi b} \left(1 + \frac{b}{a}\right) \hat{a}_z \quad (2) \qquad \frac{\mu_0 I}{4b} \left(1 + \frac{b}{a}\right) \hat{a}_z \quad (1)$$

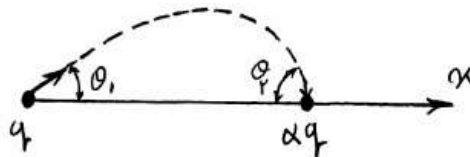
$$\frac{\mu_0 I}{\pi b} \ln\left(1 + \frac{b}{a}\right) \hat{a}_z \quad (4) \qquad \frac{\mu_0 I}{4b} \ln\left(1 + \frac{b}{a}\right) \hat{a}_z \quad (3)$$

۱۲۹- باری با چگالی $\rho_s = \rho_0 (x^2 + y^2 + 1)^{\frac{3}{2}} \left(\frac{c}{m}\right)$ روی مربع واقع شده در $-1m \leq x \leq 1m$ و $-1m \leq y \leq 1m$ و $z = -1m$ قرار گرفته است. شدت میدان الکتریکی در مبدأ مختصات چند ولت بر متر است؟

$$\frac{\rho_0}{\pi \epsilon_0} \quad (۲) \qquad \frac{\rho_0}{2\pi \epsilon_0} \quad (۱)$$

$$\frac{\rho_0}{\epsilon_0} \quad (۴) \qquad \frac{\rho_0}{2\epsilon_0} \quad (۳)$$

۱۳۰- دو بار q و αq روی محور x قرار گرفته‌اند یک خط میدان در زیر رسم شده است. اگر زاویه خط میدان وقتی که از بار q خارج می‌شود θ_1 باشد، زاویه (θ_2) آن هنگامی که به بار q_2 فرود می‌آید با محور x ، کدام است؟ (α عددی منفی است).



$$\theta_2 = |\alpha| \theta_1 \quad (۱)$$

$$\theta_2 = \frac{1}{|\alpha|} \theta_1 \quad (۲)$$

$$\theta_1 = \cos^{-1} \left(1 - \frac{1 + \cos \theta_2}{|\alpha|} \right) \quad (۳)$$

$$\theta_2 = \cos^{-1} \left(1 - \frac{1 - \cos \theta_1}{|\alpha|} \right) \quad (۴)$$

۱۳۱- چگالی سطحی بار روی یک دیسک هادی نازک به شعاع a که باردار شده به

صورت $\rho_s = \frac{a\epsilon_0}{\sqrt{a^2 - \rho^2}}$ می‌باشد. (ρ فاصله از مرکز دیسک است).

انرژی ذخیره شده در میدان الکتریکی اطراف دیسک چقدر است؟

$$\frac{\pi^2}{4} \epsilon_0 a^3 \quad (1)$$

$$\pi^2 \epsilon_0 a^3 \quad (3)$$

$$2\pi^2 \epsilon_0 a^3 \quad (4)$$

$$\frac{\pi^2}{2} \epsilon_0 a^3 \quad (2)$$

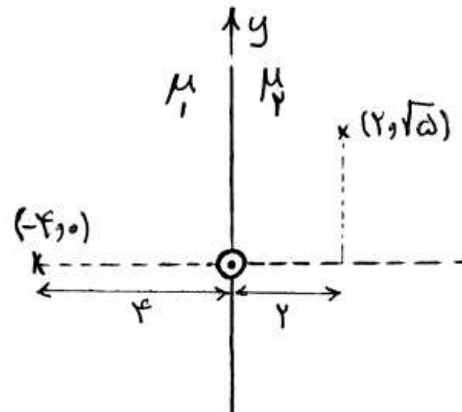
۱۳۲- یک سیم بی‌نهایت طویل حامل جریان I ، مطابق شکل زیر، منطبق بر محور z و در

مرز دو محیط با ضرایب نفوذپذیری $\mu_1 = 2\mu_0$ و $\mu_2 = 3\mu_0$ قرار دارد. مرز دو

ناحیه بر صفحه $x = 0$ منطبق است. شدت میدان مغناطیسی (H_1) در

در $(x_1 = 2, y_1 = \sqrt{5})$ چند برابر شدت میدان مغناطیسی (H_2) در

$(x_2 = -4, y_2 = 0)$ است؟



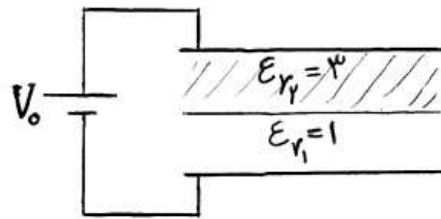
$$\frac{1}{9} \quad (1)$$

$$\frac{4}{3} \quad (2)$$

$$\frac{9}{8} \quad (3)$$

$$2 \quad (4)$$

۱۳۳- فضای میان یک خازن صفحه موازی متصل به پتانسیل V_0 از هوا ($\epsilon_{r1} = 1$) پر شده است. اگر نیمی از خازن را مطابق شکل زیر از ماده عایقی با ضریب گذردهی $\epsilon_{r2} = 3$ پر کنیم میدان در ناحیه هوا چند برابر می شود؟



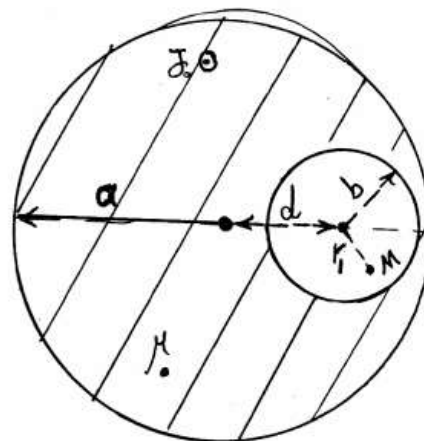
$$\frac{1}{2} \quad (1)$$

$$\frac{2}{3} \quad (2)$$

$$\frac{3}{2} \quad (3)$$

$$2 \quad (4)$$

۱۳۴- درون یک هادی استوانه‌ای طویل به شعاع a و نفوذپذیری μ_0 ، حفره استوانه‌ای طویلی، موازی محور استوانه هادی و به شعاع b ($b \ll a$) ایجاد کرد. فاصله محور دو استوانه را d می‌نامیم. چنانچه جریان یکنواختی با چگالی J_0 ($\frac{A}{m^2}$) در هادی برقرار کنیم، اندازه چگالی شار مغناطیسی $|\vec{B}|$ در نقطه فرضی M ، به فاصله r_1 از محور حفره استوانه‌ای ($r_1 < b$)، کدام است؟



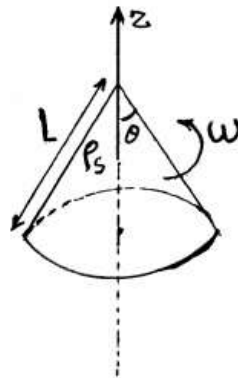
$$\frac{\mu_0 J_0 d}{2} \quad (1)$$

$$\frac{\mu_0 J_0 r_1}{2} \quad (2)$$

$$\frac{\mu_0 J_0 d}{2\pi a} \quad (3)$$

$$\frac{\mu_0 J_0 r_1}{2\pi b} \quad (4)$$

۱۳۵- یک پوسته نازک مخروطی شکل با زاویه رأس 2θ و طول یال L حامل بار سطحی یکنواخت با چگالی ρ_s است. مخروط حول محور تقارن خود با سرعت زاویه‌ای ω [rad/s] می‌چرخد. چگالی شار مغناطیسی \vec{B} در رأس مخروط کدام است؟



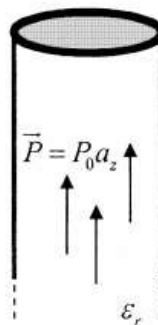
$$\frac{1}{2} \mu_0 \rho_s \omega L \sin^3 \theta \hat{a}_z \quad (1)$$

$$\frac{1}{2} \mu_0 \rho_s \omega L \sin^2 \theta \cos \theta \hat{a}_z \quad (2)$$

$$\frac{1}{2} \mu_0 \rho_s \omega L \sin^3 \theta (1 - \cos \theta) \hat{a}_z \quad (3)$$

(۴) نامحدود است.

۱۳۶- اگر میدان الکتریکی خارجی سبب قطبی شدگی استوانه نیمه بی‌نهایت دی الکتریک با ثابت دی الکتریک ϵ_r به صورت $\vec{p} = p_0 \hat{a}_z$ مطابق شکل زیر شود. پتانسیل در لبه قاعده بالایی (محیط دایره) کدام است؟



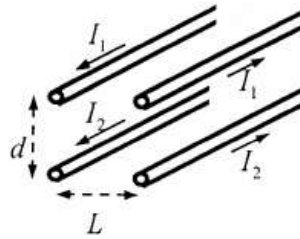
$$-\frac{p_0 a}{2\epsilon_0} \quad (1)$$

$$\frac{p_0 a}{\pi\epsilon_0} \quad (2)$$

$$\frac{p_0}{a\pi\epsilon_0} \quad (3)$$

$$\frac{p_0 a}{2\epsilon_0} \quad (4)$$

۱۳۷- در شکل زیر ضریب القاء متقابل در واحد طول، بین ۲ زوج سیم (سیم‌های بالایی زوج اول و سیم‌های پایینی زوج دوم) کدام است؟ (سیم‌های بالایی دقیقاً بالای سیم‌های پایینی و به فاصله d از آن‌ها قرار دارند.)



$$L = \frac{\mu_0}{2\pi} \ln\left(1 - \frac{d^2}{L^2}\right) \quad (1)$$

$$L = \frac{\mu_0}{2\pi} \ln\left(1 - \frac{L^2}{d^2}\right) \quad (2)$$

$$L = \frac{\mu_0}{2\pi} \ln\left(1 + \frac{d^2}{L^2}\right) \quad (3)$$

$$L = \frac{\mu_0}{2\pi} \ln\left(1 + \frac{L^2}{d^2}\right) \quad (4)$$

۱۳۸- اگر روی صفحه $x = 0$ بار سطحی با چگالی $\rho_s = \rho_0 \cos\alpha_1 y \cos\alpha_2 z$

توزیع شده باشد پتانسیل الکتریکی (V_1) در $x > 0$ ، کدام است؟

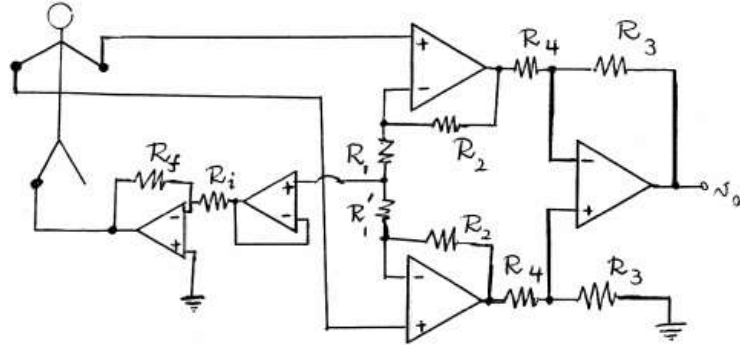
$$\frac{\rho_0}{2\epsilon_0(\alpha_1^2 + \alpha_2^2)} e^{-(\alpha_1^2 + \alpha_2^2)x} \cos\alpha_1 y \cos\alpha_2 z \quad (1)$$

$$\frac{2\rho_0}{\epsilon_0(\alpha_1^2 + \alpha_2^2)} e^{-(\alpha_1^2 + \alpha_2^2)x} \cos\alpha_1 y \cos\alpha_2 z \quad (2)$$

$$\frac{\rho_0(\alpha_1^2 + \alpha_2^2)}{4\epsilon_0} e^{-(\alpha_1^2 + \alpha_2^2)x} \cos\alpha_1 y \cos\alpha_2 z \quad (3)$$

$$\frac{2\rho_0(\alpha_1^2 + \alpha_2^2)}{\epsilon_0} e^{-(\alpha_1^2 + \alpha_2^2)x} \cos\alpha_1 y \cos\alpha_2 z \quad (4)$$

۱۳۹- در مدار شکل زیر که برای ثبت لید I در ECG طراحی شده است $R_1 = R'_1$. پس از مدتی مقاومت R'_1 سوخته و قطع می‌شود. در این صورت گزینه صحیح کدام است؟ (مقاومت معادل اتصال الکترودها به پوست R_e می‌باشد).



(۱) V_0 همچنان لید I را ثبت می‌کند اما با گین کمتر

(۲) V_0 دیگر معادل هیچ اشتقاق استاندارد نمی‌باشد.

(۳) V_0 بجای لید I ولتاژ دست راست را نسبت به زمین ثبت می‌کند.

(۴) V_0 بجای لید I ولتاژ دست چپ را نسبت به زمین ثبت می‌کند.

۱۴۰- برای اندازه‌گیری مقدار فلوی خون در یک رگ حساس، آن را در دستگاه فلومتر

مطابق شکل زیر قرار داده‌ایم. برای کالیبراسیون سیستم از یک رگ مصنوعی با

مشخصات رگ طبیعی استفاده شده است. شعاع رگ که الکترودها در دو سر آن

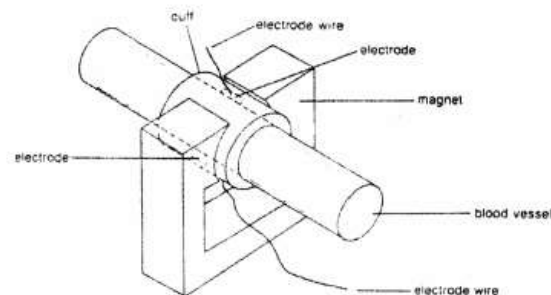
نصب است برابر ۴ میلی‌متر است. در داخل رگ به ترتیب فلوه‌های

۰/۳۱۴، ۰/۶۲۸، و ۰/۹۴۲ میلی‌لیتر بر ثانیه از مایعی شبیه خون را عبور

داده‌ایم. چنانچه ولتاژهای ثبت شده در این مقادیر فلو به ترتیب برابر ۶۰، ۱۲۲ و

۱۷۸ میکرو ولت بین دو الکتروود قرائت گردد میزان شدت میدان مغناطیسی

آهن‌ربای ثابت به طور تقریب بر حسب تسلا کدام است؟



(۱) ۰/۸

(۲) ۱/۲

(۳) ۲

(۴) ۲/۵

۱۴۱- یک تقویت کننده تفاضلی با $CMRR = 120 \text{ dB}$ جهت ثبت سیگنالی به کار گرفته شده است. اگر دامنه سیگنال ورودی بصورت تفاضلی در ورودی تقویت کننده ۵ میکرو ولت و دامنه سیگنال برق شهر به صورت مشترک ۲۰۰۰۰ برابر آن باشد، نسبت دامنه سیگنال تفاضلی به دامنه سیگنال برق شهر در خروجی کدام است؟

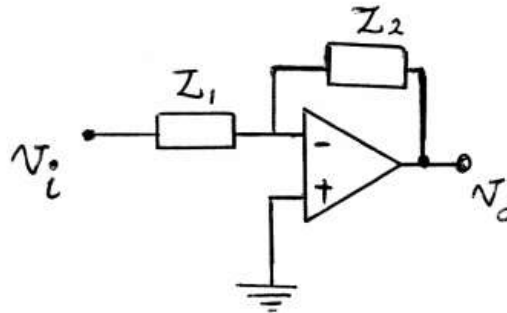
(۱) ۵۰

(۲) ۷۰

(۳) ۱۰۰

(۴) ۱۵۰

۱۴۲- جهت استخراج امواج آلفای سیگنال‌های EEG، با فرکانس (۸-۱۳Hz) از مدار زیر استفاده می‌شود، با فرض این که در طراحی پارامترهای مدار از فرکانس قطع ۲dB استفاده شود، Z_1 و Z_2 به ترتیب کدام گزینه هستند؟



(۱) خازن سری با مقاومت، با ثابت زمانی 0.125 s - خازن موازی با مقاومت، با ثابت زمانی 0.25 s

(۲) خازن موازی با مقاومت، با ثابت زمانی 0.125 s - خازن سری با مقاومت، با ثابت زمانی 0.25 s

(۳) خازن سری با مقاومت، با ثابت زمانی 0.25 s - خازن موازی با مقاومت، با ثابت زمانی 0.125 s

(۴) خازن موازی با مقاومت، با ثابت زمانی 0.25 s - خازن سری با مقاومت، با ثابت زمانی 0.125 s

۱۴۳- جاننداری از تیره دوزیستان وجود دارد که در دمای ۵۱ درجه سانتی‌گراد زندگی می‌کند. پتانسیل استراحت غشاء سلول‌های عصبی این جاندار ۹۰- میلی‌ولت بوده و آستانه تحریک ۷۵- میلی‌ولت در نظر گرفته می‌شود. اگر فرض کنیم که غلظت یون‌ها با تغییر دما تغییری قابل توجه نداشته باشد، حداقل دمایی از محیط که این موجود بتواند در آن زنده بماند بر حسب سانتی‌گراد تقریباً چقدر است؟

(۱) ۳-

(۲) ۱۰-

(۳) ۳

(۴) ۴۲/۵

۱۴۴- در یک غشاء سلول زنده تعادل گلدمن در حالت استراحت برقرار است و مقادیر غلظت‌های یون‌های سدیم و پتاسیم و نفوذپذیری نسبی آن‌ها در شرایط طبیعی قرار دارد. اگر حساسیت پتانسیل غشاء سلول نسبت به نفوذپذیری‌های پتاسیم و سدیم را به ترتیب S_{Na} و S_K بنامیم کدام رابطه صحیح است؟

(۱) $|S_K|$ اندکی بزرگتر از $|S_{Na}|$ است.

(۲) $|S_{Na}|$ اندکی بزرگتر از $|S_K|$ است.

(۳) $|S_K|$ بسیار بزرگتر از $|S_{Na}|$ است.

(۴) $|S_{Na}|$ بسیار بزرگتر از $|S_K|$ است.

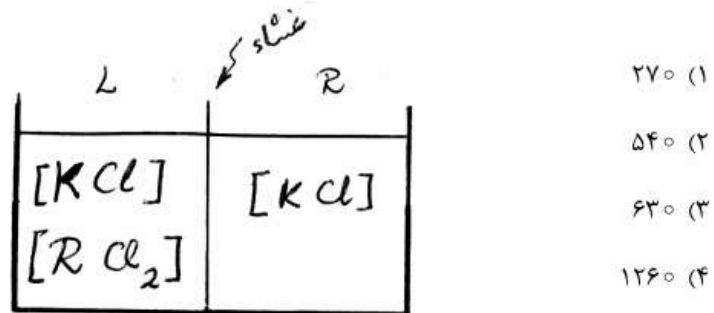
۱۴۵- در شکل زیر غشاء بین دو قسمت ظرف تنها به یون‌های Cl^- و K^+ نفوذپذیر

است. غلظت یون K^+ پس از برقراری تعادل در سمت چپ $\frac{\text{mMol}}{\text{lit}}$ ۲۰۰ و

ولتاژ سمت راست نسبت به سمت چپ در دمای محیط -۲۶mv است. غلظت

یون R^{++} در سمت چپ قبل از حصول تعادل به طور تقریبی، کدام است؟

$$\left(\frac{kT}{q} = ۲۶\text{mv} \text{ و } e \approx ۲,۷\right)$$



۱۴۶- جذب نوری (OD) دو لوله آزمایش حاوی معرف گلوکز را توسط یک اسپکترو -

فوتومتر قرائت کرده سپس به لوله اول ۱۰ میکرولیتر از یک نمونه سرم با غلظت

گلوکز $\frac{\text{mg}}{\text{d lit}}$ ۱۰۰ و به لوله دوم همان مقدار از یک نمونه سرم با غلظت مجهول

اضافه می‌کنیم. نتایج قرائت جذب نوری در طول زمان در جدول زیر داده شده

است. غلظت گلوکز نمونه مجهول چند $\frac{\text{mg}}{\text{d lit}}$ است؟ ($t = ۰$ زمان اضافه شدن

نمونه‌ها و شروع واکنش است.)

t (بر حسب ثانیه)	۰	۶۰	۱۲۰	۱۸۰	۲۴۰	۳۰۰
لوله اول	۰,۲۲۵	۰,۲۵۵	۰,۴۹۷	۱,۰۲۱	۱,۱۷۴	۱,۱۷۵
لوله دوم	۰,۲۴۸	۰,۲۹۸	۰,۶۱۵	۱,۲۵۳	۱,۴۸۱	۱,۴۸۳

۱۲۳ (۲) ۱۲۰ (۱)

۱۳۰ (۴) ۱۲۶ (۳)

۱۴۷- در بطن چپ قلب یک فرد نرمال با وزن $w = 81 \text{ kg}$ ، حجم خون در زمان انتهای سیستول برابر 40 ml است. حجم خون این فرد در زمان انتهای دیاستول چند برابر این حجم در زمان سیستول است؟ (رابطه وزن برحسب kg و برون ده قلبی برحسب ml/min به طور متوسط از رابطه $\text{CO} = 224W^{\frac{3}{4}}$ و رابطه وزن برحسب kg و ضربان طبیعی در دقیقه از رابطه $\text{HR} = 229W^{\frac{1}{4}}$ تعیین می‌گردد.)

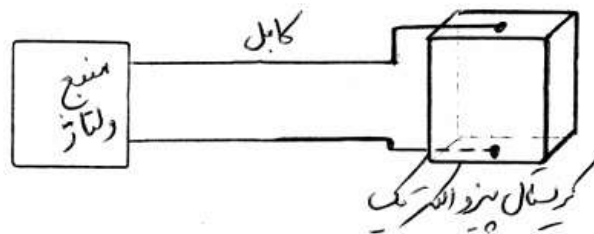
(۲) ۲/۱

(۱) ۱/۷

(۴) ۳/۴

(۳) ۲/۹

۱۴۸- از یک کریستال پیزوالکتریک جهت تولید امواج ارتعاشی استفاده می‌شود (مطابق شکل زیر). در صورتی که مقاومت نشستی کریستال پیزوالکتریک $10 \text{ M}\Omega$ ، ظرفیت خازنی کریستال 50 pF ، ظرفیت کابل 50 pF ، مقاومت منبع ولتاژ $1 \text{ G}\Omega$ و ظرفیت خازنی منبع ولتاژ 100 pF باشد، حداقل فرکانس کاری سیستم در محدوده‌ای که بهره آن تقریباً ثابت است چند هرتز است؟ (از فرکانس قطع 3 dB استفاده کنید.)



(۱) ۳۲۰

(۲) ۸۰

(۳) ۱۶۰

(۴) ۴۰

۱۴۹- در ثبت ECG از روی بدن یک شخص در یک لحظه خاص میزان ولتاژ لید II برابر 5mv و ولتاژ لید III برابر 4mv - گزارش شده است. نسبت مقدار (aVL / aVF) در صورت سالم بودن فرد در همین لحظه چه مقداری باید باشد؟

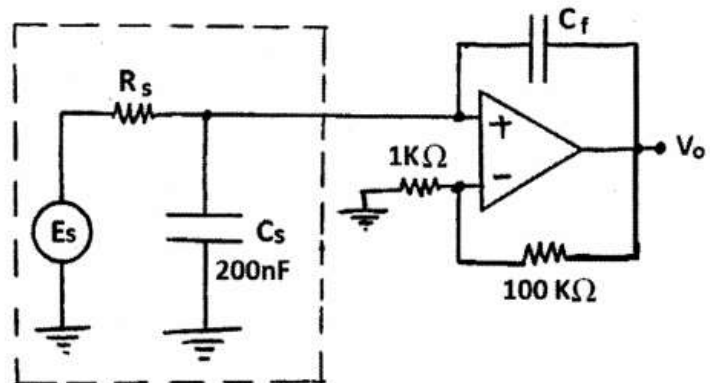
(۱) ۳

(۲) ۶

(۳) ۸

(۴) ۱۳

۱۵۰- در شکل زیر مدار معادل یک میکروالکتروود شیشه‌ای (بخش خط چین) دیده می‌شود که به یک مدار تقویت کننده متصل شده است. مقدار مناسب برای C_f برای حصول حداکثر پهنای باند چند نانو فاراد (nF) است؟



(۱) ۱

(۲) ۲

(۳) ۱۰

(۴) ۲۰

به اطلاع داوطلبان شرکت کننده در آزمون کارشناسی ارشد سال 1393 می رساند، کلید اولیه سوالات بر روی سایت سازمان سنجش قرار گرفته است. این کلید اولیه غیر قابل استناد است پس از دریافت نظرات داوطلبان و صاحب نظران کلید نهایی سوالات تهیه و بر اساس آن کارنامه داوطلبان استخراج خواهد شد. در صورت تمایل می توانید حداکثر تا تاریخ 92/12/8 با مراجعه به سایت سازمان سنجش www.sanjesh.org از طریق سیستم ارسال و درخواست نسبت به تکمیل فرمی که برای دریافت این نظرات آماده گردیده است اقدام نمایید. لازم به ذکر است نظرات داوطلبان فقط از طریق اینترنت دریافت خواهد شد و به موارد ارسالی از طریق دیگر رسیدگی نخواهد شد.

نوع دفترچه	نام رشته امتحانی	کد رشته امتحانی
A	مجموعه مهندسی برق	1251

شماره سوال	گزینه صحیح	شماره سوال	گزینه صحیح	شماره سوال	گزینه صحیح	شماره سوال	گزینه صحیح	شماره سوال	گزینه صحیح	شماره سوال	گزینه صحیح
1	2	31	4	61	2	91	1	121	4	151	سفید
2	4	32	3	62	3	92	3	122	2	152	سفید
3	1	33	3	63	3	93	3	123	4	153	سفید
4	4	34	1	64	1	94	2	124	1	154	سفید
5	1	35	2	65	2	95	3	125	3	155	سفید
6	3	36	2	66	4	96	1	126	4	156	سفید
7	2	37	2	67	4	97	2	127	2	157	سفید
8	3	38	1	68	3	98	1	128	3	158	سفید
9	4	39	1	69	1	99	2	129	2	159	سفید
10	1	40	4	70	4	100	2	130	4	160	سفید
11	2	41	3	71	1	101	4	131	1	161	سفید
12	3	42	4	72	1	102	3	132	3	162	سفید
13	2	43	3	73	2	103	4	133	3	163	سفید
14	3	44	2	74	3	104	3	134	1	164	سفید
15	4	45	4	75	4	105	3	135	1	165	سفید
16	2	46	4	76	2	106	1	136	2	166	سفید
17	4	47	3	77	3	107	4	137	4	167	سفید
18	3	48	2	78	2	108	2	138	1	168	سفید
19	4	49	2	79	2	109	4	139	1	169	سفید
20	3	50	1	80	3	110	3	140	2	170	سفید
21	4	51	1	81	1	111	1	141	1	171	سفید
22	3	52	2	82	4	112	2	142	3	172	سفید
23	1	53	1	83	2	113	2	143	1	173	سفید
24	2	54	4	84	2	114	1	144	4	174	سفید
25	4	55	4	85	3	115	2	145	3	175	سفید
26	1	56	4	86	3	116	3	146	4	176	سفید
27	4	57	3	87	1	117	2	147	3	177	سفید
28	1	58	2	88	1	118	1	148	2	178	سفید
29	2	59	1	89	2	119	3	149	4	179	سفید
30	3	60	1	90	1	120	1	150	2	180	سفید

شماره سوال	گزینه صحیح	شماره سوال	گزینه صحیح	شماره سوال	گزینه صحیح	شماره سوال	گزینه صحیح
181	سفید	211	سفید	241	سفید	271	سفید
182	سفید	212	سفید	242	سفید	272	سفید
183	سفید	213	سفید	243	سفید	273	سفید
184	سفید	214	سفید	244	سفید	274	سفید
185	سفید	215	سفید	245	سفید	275	سفید
186	سفید	216	سفید	246	سفید	276	سفید
187	سفید	217	سفید	247	سفید	277	سفید
188	سفید	218	سفید	248	سفید	278	سفید
189	سفید	219	سفید	249	سفید	279	سفید
190	سفید	220	سفید	250	سفید	280	سفید
191	سفید	221	سفید	251	سفید	281	سفید
192	سفید	222	سفید	252	سفید	282	سفید
193	سفید	223	سفید	253	سفید	283	سفید
194	سفید	224	سفید	254	سفید	284	سفید

195	سفید	225	سفید	255	سفید	285	سفید	315	سفید
196	سفید	226	سفید	256	سفید	286	سفید	316	سفید
197	سفید	227	سفید	257	سفید	287	سفید	317	سفید
198	سفید	228	سفید	258	سفید	288	سفید	318	سفید
199	سفید	229	سفید	259	سفید	289	سفید	319	سفید
200	سفید	230	سفید	260	سفید	290	سفید	320	سفید
201	سفید	231	سفید	261	سفید	291	سفید	321	سفید
202	سفید	232	سفید	262	سفید	292	سفید	322	سفید
203	سفید	233	سفید	263	سفید	293	سفید	323	سفید
204	سفید	234	سفید	264	سفید	294	سفید	324	سفید
205	سفید	235	سفید	265	سفید	295	سفید	325	سفید
206	سفید	236	سفید	266	سفید	296	سفید	326	سفید
207	سفید	237	سفید	267	سفید	297	سفید	327	سفید
208	سفید	238	سفید	268	سفید	298	سفید	328	سفید
209	سفید	239	سفید	269	سفید	299	سفید		
210	سفید	240	سفید	270	سفید	300	سفید		