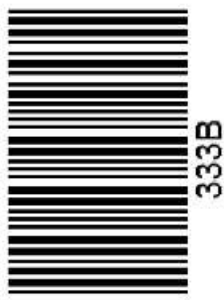


کد کنترل

3333

B



صبح پنجشنبه

۱۳۹۹/۵/۲



«اگر دانشگاه اصلاح شود مملکت اصلاح می‌شود.»  
امام خمینی (ره)

جمهوری اسلامی ایران  
وزارت علوم، تحقیقات و فناوری  
سازمان سنجش آموزش کشور

آزمون ورودی دوره‌های کارشناسی ارشد ناپیوسته داخل - سال ۱۳۹۹

مجموعه مهندسی برق - کد (۱۲۵۱)

مدت پاسخ‌گویی: ۲۷۰ دقیقه

تعداد سؤال: ۱۳۸

عنوان مواد امتحانی، تعداد و شماره سؤالات

| ردیف | مواد امتحانی  | تعداد سؤال | از شماره | تا شماره |
|------|---|------------|----------|----------|
| ۱    | زبان عمومی و تخصصی (انگلیسی)                                | ۳۰         | ۱        | ۳۰       |
| ۲    | ریاضیات (معادلات دیفرانسیل، ریاضیات مهندسی، آمار و احتمال)  | ۱۵         | ۳۱       | ۴۵       |
| ۳    | مدارهای الکتریکی (۲و۱)                                      | ۱۵         | ۴۶       | ۶۰       |
| ۴    | الکترونیک (۲و۱) و سیستم‌های دیجیتال ۱                       | ۱۵         | ۶۱       | ۷۵       |
| ۵    | ماشین‌های الکتریکی (۲و۱) و تحلیل سیستم‌های انرژی الکتریکی ۱ | ۱۵         | ۷۶       | ۹۰       |
| ۶    | سیستم‌های کنترل خطی   | ۱۲         | ۹۱       | ۱۰۲      |
| ۷    | سیگنال‌ها و سیستم‌ها  | ۱۲         | ۱۰۳      | ۱۱۴      |
| ۸    | الکترومغناطیس *   | ۱۲         | ۱۱۵      | ۱۲۶      |
| ۹    | مقدمه‌ای بر مهندسی پزشکی *                                  | ۱۲         | ۱۲۷      | ۱۳۸      |

\* برای داوطلبان رشته مهندسی پزشکی، انتخاب یکی از این دو درس اجباری است.

این آزمون نمره منفی دارد.

استفاده از ماشین حساب مجاز نیست.

حق چاپ، تکثیر و انتشار سؤالات به هر روش (الکترونیکی و...) پس از برگزاری آزمون، برای تمامی اشخاص حقیقی و حقوقی تنها با مجوز این سازمان مجاز می‌باشد و با متخلفین برابر مقررات رفتار می‌شود.

۱۳۹۹

\* داوطلب گرامی، عدم درج مشخصات و امضا در مندرجات جدول ذیل، به منزله عدم حضور شما در جلسه آزمون است.

اینجانب ..... با شماره داوطلبی ..... با آگاهی کامل، یکسان بودن شماره صندلی خود را با شماره داوطلبی مندرج در بالای کارت ورود به جلسه، بالای پاسخنامه و دفترچه سؤالات، نوع و کد کنترل درج شده بر روی دفترچه سؤالات و پائین پاسخنامه‌ام را تأیید می‌نمایم.

امضا:

زبان عمومی و تخصصی (انگلیسی):

### PART A: Vocabulary

**Directions:** Choose the word or the phrase (1), (2), (3), or (4) that best completes the blank. Then mark the correct choice on your answer sheet.

- 1- I omitted all the extraneous details while explaining the ----- of the matter to him.  
1) breach                      2) distinction                      3) qualm                      4) gist
- 2- While his brother writes in an unclear and clumsy way, Sam himself is known for his ----- style of writing.  
1) lucid                      2) verbose                      3) dull                      4) feasible
- 3- Poultry farms place the eggs into incubators to ----- the growth of the embryo into chicken.  
1) conquer                      2) hasten                      3) outline                      4) elude
- 4- With as many as three witnesses giving evidence against her, the ----- of her claim that she was innocent was in serious doubt.  
1) demonstration                      2) paradigm                      3) veracity                      4) empiricism
- 5- I did not like her way of teaching because her lecture had too many digressions; she kept on wandering to various subjects, most of them not ----- to the central idea of her topic.  
1) vulnerable                      2) peripheral                      3) pertinent                      4) loyal
- 6- With the advent of electric bulbs and emergency lights, the use of gas lamps became -----.  
1) imprecise                      2) repetitive                      3) idealistic                      4) obsolete
- 7- The employee did not believe the implausible story that Janet ----- to justify her absence from work.  
1) concocted                      2) scrutinized                      3) manipulated                      4) reassured
- 8- The doctor has advised him to ----- adhere to the prescribed regimen; otherwise, there is a danger of relapse of the illness.  
1) sequentially                      2) strictly                      3) ineptly                      4) selectively
- 9- The ----- in her speech can put off almost anyone; she urgently needs to tone down the harsh words she uses.  
1) explicitness                      2) enigma                      3) shortsightedness                      4) acerbity
- 10- He is so wasteful; he has ----- all the money that he had borrowed from me, and is now back again asking for more.  
1) allocated                      2) neglected                      3) depleted                      4) accumulated

**PART B: Cloze Passage**

**Directions:** Read the following passage and decide which choice (1), (2), (3), or (4) best fits each space. Then mark the correct choice on your answer sheet.

Good learners work hard. A few things may come easily to learners, but most knowledge requires effort (11) ----- to put in the time. They talk with others, read more, study more and carry around when they don't understand, (12) ----- about it before they go to sleep, at the gym, on the bus. Good learners are persistent. When they fail, they carry on, (13) ----- that they will figure it out eventually. (14) -----, they learn from their mistakes. Good learners recognize (15) ----- always fun. But that does not change how much they love it.

- 11- 1) which is good learners willing                      2) and good learners are willing  
3) that good learners willing are                      4) willing are good learners
- 12- 1) thinking                      2) to think                      3) they think                      4) by thinking
- 13- 1) are confident                      2) who are confident                      3) they are confident                      4) confident
- 14- 1) Although                      2) In the meantime                      3) A case in point                      4) Whereas
- 15- 1) learning not be                      2) that learning is not  
3) to learn not to be                      4) learning it is not

**PART C: Reading Comprehension**

**Directions:** Read the following three passages and answer the questions by choosing the best choice (1), (2), (3), or (4). Then mark the correct choice on your answer sheet.

**PASSAGE 1:**

The next few decades will see great changes in the way energy is supplied and used. In some major oil producing nations, 'peak oil' has already been reached, and there are increasing fears of global warming. Consequently, many countries are focusing on the switch to a low carbon economy. This transition will lead to major changes in the supply and use of electricity. Firstly, there will be an increase in overall demand, as consumers switch from oil and gas to electricity to power their homes and vehicles. Secondly, there will be an increase in power generation, not only in terms of how much is generated, but also how it is generated, as there is growing electricity generation from renewable sources. To meet these challenges, countries are investing in Smart Grid technology. This system aims to provide the electricity industry with a better understanding of power generation and demand, and to use this information to create a more efficient power network.

Smart Grid technology basically involves the application of a computer system to the electricity network. The computer system can be used to collect information about supply and demand and improve engineers' ability to manage the system. With better information about electricity demand, the network will be able to increase the amount of electricity delivered per unit generated, leading to potential reductions in fuel needs

and carbon emissions. Moreover, the computer system will assist in reducing operational and maintenance costs.

Smart Grid technology offers benefits to the consumer too. They will be able to collect real-time information on their energy use for each appliance. Varying tariffs throughout the day will give customers the incentive to use appliances at times when supply greatly exceeds demand, leading to great reductions in bills. For example, they may use their washing machines at night. Smart meters can also be connected to the internet or telephone system, allowing customers to switch appliances on or off remotely. Furthermore, if houses are fitted with the apparatus to generate their own power, appliances can be set to run directly from the on-site power source, and any excess can be sold to the grid.

- 16- **What would be the best title for the passage?**
- 1) Renewable Energy Sources
  - 2) Smart Grid Technology
  - 3) Fears of Global Warming
  - 4) A Challenge to Oil Producing Nations
- 17- **According to paragraph 1, one reason for switching to a low carbon economy is that -----.**
- 1) oil is getting more and more expensive
  - 2) electricity can be produced all over the world
  - 3) some countries may produce less oil than before
  - 4) the oil producing nations do not seem to care about global warming
- 18- **All of the following are mentioned in paragraph 1 as future changes in the supply and use of electricity EXCEPT -----.**
- 1) more electricity will be generated
  - 2) cars will use electricity instead of oil and gas
  - 3) more attention will be given to power generation from renewable sources
  - 4) consumers will attempt to generate the electricity required for their homes and vehicles themselves
- 19- **According to paragraph 2, Smart Grid technology can be beneficial in all of the following ways EXCEPT -----.**
- 1) reducing costs
  - 2) accelerating power generation
  - 3) enhancing system management
  - 4) decreasing carbon emissions
- 20- **According to paragraph 3, people are more likely to use appliances at times when demand is low if -----.**
- 1) they know about its lower tariffs
  - 2) they have a washing machine at home
  - 3) they can easily switch appliances on or off
  - 4) Smart Grid technology gives them information about other consumers

**PASSAGE 2:**

Although static electricity can be dangerous and is often nothing but a nuisance, it does have its uses. Spark plugs were mentioned earlier, but they are not the only application of static electricity that is beneficial. Copier machines would not work without static electricity.

To produce a copy, most modern copier machines make a "charged image" of the original document. The process starts with a uniformly charged belt or drum covered

with a photoconductor, which is a material sensitive to light. The machine exposes the original document to a bright source of light; the white parts of the document reflect a lot of this light, and the dark parts reflect only a little. This reflected light is focused on the photoconductor, and in places where the light is strong, the charge on the photoconductor vanishes, because the light makes the material conduct and carry away the charges. This does not affect the remaining areas, which correspond to the dark areas of the original, so they continue to be charged. The photoconductor sheet, now charged only in the places corresponding to the dark areas of the original document, contains the charged image.

Next the machine applies ink, or toner, to the charged image to make it become visible. The toner has a charge opposite that of the charged image. Electrostatic forces now come into play, for when the toner meets the charged image, it sticks to the charged areas (which correspond to the dark areas of the original), because opposite charges attract. The system removes any excess charge and transfers the toner to a sheet of paper. After an application of heat to fuse the toner onto the paper, out comes the duplicate.

- 21- According to paragraph 1, both spark plugs and copier machines -----.
- 1) have various applications
  - 2) require static electricity to work
  - 3) were discussed in the previous sections
  - 4) are examples that illustrate how static electricity is nothing but a nuisance
- 22- Which of the following is NOT true of modern copier machines?
- 1) They produce charged images.
  - 2) They expose the document to bright light.
  - 3) They shed only a little light on the dark parts of the original document.
  - 4) They distinguish the light parts of a document from its dark parts through their reflectivity.
- 23- The word "they" in paragraph 2 refers to -----.
- 1) the sheets
  - 2) the charges
  - 3) the remaining areas
  - 4) the dark areas of the original
- 24- The main function of paragraph 2 and 3 is to -----.
- 1) describe a process
  - 2) prevent a misunderstanding
  - 3) explain how a photoconductor works
  - 4) elaborate on the applications of static electricity
- 25- According to paragraph 3, why does ink stick to certain areas of the image?
- 1) The applied heat leads the ink.
  - 2) The other areas attract the excess charge.
  - 3) Electrostatic forces are attracted to the darker areas.
  - 4) Ink and those areas are oppositely charged.

**PASSAGE 3:**

Fiberscopes are one of the most important outcomes of the science of fiber optics. Fibers made of glass and transparent acrylic plastic are capable of conveying light energy, and when thousands of these fibers are combined in what is called a



fiberscope, they can try transmit images. The most common fiberscopes contain about 750,000 fibers, each 0.001 centimeter, or 10 microns, in diameter. For certain uses, the diameter of the fiber may be as small as 5 microns.

Fiberscopes have a wide range of applications. In the medical field, physicians use fiberscopes to examine internal organs and as an aid in delicate surgeries. Miniature probes have also been developed to view muscle fiber, skin tissue, and blood cells. Fiberscopes have also found varied uses in industry, particularly to inspect or control operations in inaccessible areas. Bundles of fiberscopes fused together in a solid plate, called a faceplate, are being used in the manufacture of television picture tubes and other cathode-ray tube devices.

The most far-reaching applications of fiber-optic technology are in communications. Optical fibers carry voice messages for telephone service. The sound of the voice is electronically broken down into thousands of pulses per second, which causes a transmitting laser to send coordinated pulses of light through the optical fibers. At the receiving end, the light pulses are converted to electrical signals and the voice message is reconstructed. Light-wave communication systems can handle an immensely greater number of telephone calls and television programs than the current system, and they will form the basis of the "electronic superhighway" expected to crisscross the nation in the near future of the information age.

- 26- **Fibers can transmit images if -----.**  
 1) the images are transparent  
 2) they can convey light energy  
 3) they are mixed with acrylic plastic  
 4) many of them are combined in a fiberscope
- 27- **It can be understood from the passage that most fibers are -----.**  
 1) larger than 5 microns in diameter      2) used to transmit written messages  
 3) smaller than 0.001 centimeter      4) used in the medical field
- 28- **All of the following are mentioned as what fiberscopes can do in the medical field EXCEPT -----.**  
 1) helping surgeries      2) checking skin tissue  
 3) viewing brain activity      4) examining internal organs
- 29- **Optical fibers carry voice messages by -----.**  
 1) using cathode-ray tube devices  
 2) converting electrical signals to light pulses  
 3) using a solid plate called a faceplate  
 4) allowing an immense number of coordinated electrical signals to go through them
- 30- **The word "handle" in the third paragraph is closest in meaning to -----.**  
 1) manage      2) overcome      3) transfer      4) include

ریاضیات (معادلات دیفرانسیل، ریاضیات مهندسی، آمار و احتمال):

۳۱- برای حل معادله دیفرانسیل

$$\begin{cases} y'' - 4xy' + 4x^2y = 0 \\ y(0) = 0 \\ y'(0) = \sqrt{2} \end{cases}$$

از تغییر متغیر  $y = e^{x^2} u$  استفاده می‌کنیم.

کدام است  $y(\sqrt{2})$ ؟

(۱)  $c^2 \sin \sqrt{2}$

(۲)  $e^2 \cos \sqrt{2}$

(۳)  $e^2 \sin 2$

(۴)  $c^2 \cos 2$

۳۲- مسیرهای متعامد به دسته منحنی‌های  $r = c(1 - \sin \theta)$ ، در مختصات قطبی، کدام است؟

(۱)  $r = c(1 - \sin \theta)$

(۲)  $r = c(1 + \sin \theta)$

(۳)  $r = c(1 - \cos \theta)$

(۴)  $r = c(1 + \cos \theta)$

۳۳- اگر  $y$  جواب معادله دیفرانسیل

$$\begin{cases} y'' - 4y'^2 = 3y \\ y'(0) = 1 \\ y(0) = 0 \end{cases}$$

باشد،  $y'(1)$  کدام است؟

(۱)  $\frac{11e^{-2} + 9}{8}$

(۲)  $\frac{11e^2 - 9}{8}$

(۳)  $\frac{35e^{-1} + 27}{32}$

(۴)  $\frac{35e^1 - 27}{32}$

۳۴- تبدیل معکوس لاپلاس  $\frac{1}{s} \tan^{-1} \frac{1}{s}$ ، کدام است؟

(۱)  $\frac{\sin t}{t}$

(۲)  $t \sin t$

(۳)  $\frac{\sinh t}{t}$

(۴)  $t \sinh t$

۳۵- ضریب  $x^2$  در سری مکلاورن جواب حاصل از مسئله  $y'' - xy' + y = 0$ ,  $y(0) = 1$ ,  $y'(0) = 0$ ، کدام است؟

$$\frac{1}{3} \quad (1)$$

$$\frac{1}{6} \quad (2)$$

$$-\frac{1}{3} \quad (3)$$

$$-\frac{1}{6} \quad (4)$$

۳۶- فرض کنید  $f(x) = \sum_{n=1}^{\infty} \frac{\sin nx + n \cos nx}{n^3 + 1}$  باشد. حاصل  $\int_0^{2\pi} f(x) \cos^2 x \, dx$ ، کدام است؟

$$\frac{139\pi}{1170} \quad (1)$$

$$\frac{139\pi}{585} \quad (2)$$

$$\frac{278\pi}{585} \quad (3)$$

$$\frac{278\pi}{2340} \quad (4)$$

۳۷- تابع  $g(x) = e^{-|x|} \cos x$  را در نظر بگیرید. اگر  $a(\omega)$ ,  $b(\omega)$  ضرایب انتگرال فوریه تابع فوق و  $\omega \gg 1$  باشد، آنگاه

مقدار تقریبی  $\frac{a(2\omega)}{a(4\omega)}$ ، برابر کدام است؟

$$2 \quad (1)$$

$$4 \quad (2)$$

$$8 \quad (3)$$

$$2\pi \quad (4)$$

۳۸- فرض کنید هدف تعیین توزیع دمای حالت پایدار در یک صفحه تخت نازک است که ربع اول صفحه مختصات را

اشغال کرده است. فرض کنید مرز  $x = 0$  در دمای صفر درجه نگه داشته شده و مرز  $y = 0$  برای  $0 \leq x \leq 2$  در یک

دمای ثابت ۴ و برای  $x > 2$  صفر است. اگر  $u(x, y) = \frac{A}{\pi} \int_0^{\infty} c_k \sin kx e^{-ky} dk$  جواب مسئله مورد نظر باشد،  $c_k$

کدام است؟

$$\frac{1 + \cos 2k}{2k} \quad (1)$$

$$\frac{1 - \cos 2k}{2k} \quad (2)$$

$$\frac{1 + \cos 2k}{k} \quad (3)$$

$$\frac{1 - \cos 2k}{k} \quad (4)$$



۳۹- فرض کنید  $f(\alpha) = \oint_{|z|=3} \frac{z^4 dz}{(z-\alpha)^2(z-2\alpha)}$  است. مقدار  $f'(i)$  کدام است؟

(۱)  $-22\pi$

(۲)  $-44\pi i$

(۳)  $-44\pi$

(۴)  $-22\pi i$

۴۰- اگر مساحت ناحیه تبدیل یافته  $|z|=p$  با نگاشت  $w = z + \frac{1}{z}$  برابر  $\frac{15\pi}{4}$  باشد، آنگاه  $p$  کدام است؟

(۱) ۱

(۲) ۲

(۳) ۳

(۴) ۴

۴۱- مدادهای داخل یک بسته ۱۲ تایی مداد رنگی را به طور کاملاً تصادفی کنار هم قرار می‌دهیم. احتمال این که بین دو مداد آبی و قرمز سه مداد با رنگ‌های دیگر قرار بگیرد، کدام است؟

(۱)  $\frac{5}{1}$

(۲)  $\frac{5}{12}$

(۳)  $\frac{5}{15}$

(۴)  $\frac{5}{18}$

۴۲- تابع چگالی احتمال مشترک دو متغیر تصادفی  $X$  و  $Y$  به صورت زیر است:

$$f_{XY}(x, y) = \begin{cases} \Lambda & 1 \geq x \geq y \geq 0 \\ 0 & \text{سایر} \end{cases}$$

که در آن  $\Lambda$  یک مقدار ثابت است. میانگین شرطی  $E\{X | Y = \frac{1}{3}\}$ ، برابر کدام است؟

(۱)  $\frac{3}{4}$

(۲)  $\frac{2}{3}$

(۳)  $\frac{4}{5}$

(۴)  $\frac{3}{2}$

۴۳- تابع مولد ممان متغیر تصادفی  $X$ ، به صورت زیر است:

$$\Phi_X(s) = E\{e^{sx}\} = \left(\frac{1}{3}e^s + \frac{2}{3}\right)^{10}$$

اگر  $Z = (3X - 1)^2$  باشد، میانگین متغیر تصادفی  $Z$ ، برابر کدام است؟

(۱) ۱۱

(۲) ۸۱

(۳) ۱۰۱

(۴) ۱۵۱

۴۴- فرض کنید  $X$  و  $Y$  دو متغیر تصادفی مستقل با تابع چگالی احتمال‌های زیر باشند:

$$f_X(x) = \begin{cases} \frac{A}{x^2} & x \geq 1 \\ 0 & \text{سایر} \end{cases} \quad f_Y(y) = \begin{cases} \frac{B}{y^3} & y \geq 1 \\ 0 & \text{سایر} \end{cases}$$

احتمال پیشامد  $P[X > Y]$  کدام است؟

- (۱)  $\frac{1}{3}$   
 (۲)  $\frac{1}{2}$   
 (۳)  $\frac{2}{3}$   
 (۴)  $\frac{3}{4}$

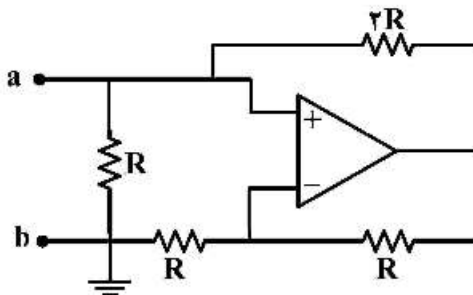
۴۵- فرض کنید  $n$  یک متغیر تصادفی گسسته با تابع جرم‌های احتمالی  $P\{n=0\} = P\{n=1\} = P\{n=2\} = \frac{1}{3}$ .

$X$  یک متغیر تصادفی یکنواخت در بازه  $[-1, 1]$  و مستقل از  $n$  و  $y = X^n$  باشد. کوواریانس بین متغیر تصادفی  $Y$  و  $n$  کدام است؟

- (۱)  $-\frac{4}{9}$   
 (۲)  $\frac{2}{9}$   
 (۳)  $\frac{4}{9}$   
 (۴)  $-\frac{2}{9}$

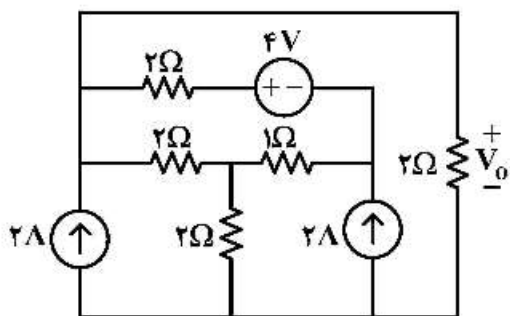
مدارهای الکتریکی (۲۱):

۴۶- در مدار زیر، مقاومت ورودی  $R_{in}$  از دو سر  $a, b$  کدام است؟



- (۱)  $\frac{1}{R}$   
 (۲)  $R$   
 (۳)  $2R$   
 (۴)  $\infty$

۴۷- ولتاژ خروجی  $V_o$  در مدار زیر، چند ولت است؟



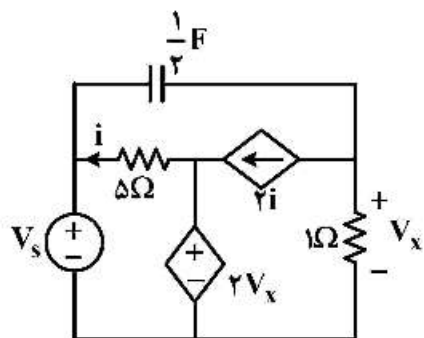
(۱)  $\frac{24}{13}$

(۲)  $\frac{32}{13}$

(۳)  $\frac{48}{13}$

(۴)  $\frac{64}{13}$

۴۸- ثابت زمانی مدار زیر، چند ثانیه است؟



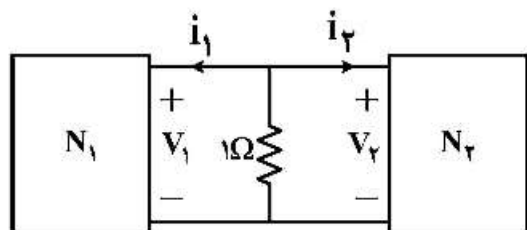
(۱)  $\frac{5}{18}$

(۲)  $\frac{18}{5}$

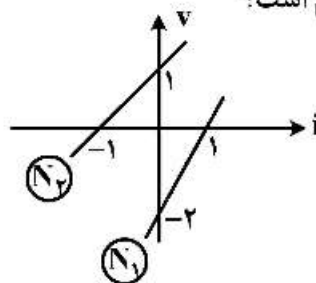
(۳)  $\frac{5}{9}$

(۴)  $\frac{9}{5}$

۴۹- دو شبکه  $N_1$  و  $N_2$  را که مشخصه  $v-i$  آن‌ها در شکل الف رسم شده به صورت شکل ب به یک مقاومت  $1\Omega$  متصل می‌کنیم. جریان  $i_r$  کدام است؟



شکل ب



شکل الف

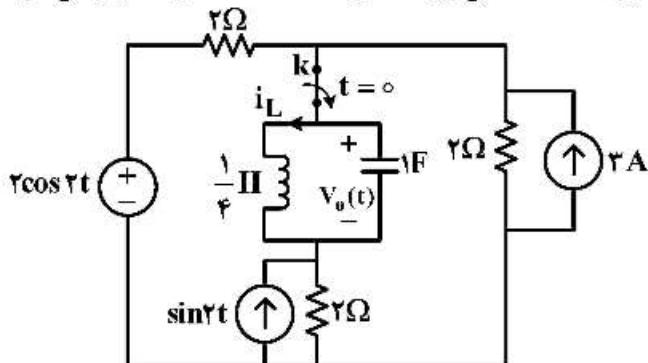
(۱)  $i_r = -1$

(۲)  $i_r = +1$

(۳)  $i_r = \frac{-1}{5}$

(۴)  $i_r = \frac{4}{3}$

۵۰- در مدار زیر کلید k به مدت طولانی بسته بوده تا مدار به حالت دائمی برسد. در لحظه  $t = 0$  کلید k باز می‌شود.



ولتاژ  $v_o(t)$  برای  $t \geq 0$  کدام است؟

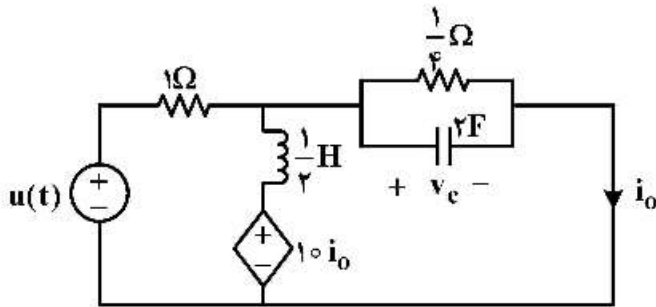
(۱)  $1 - 2/5 \sin 2t$

(۲)  $1 + 2/5 \sin 2t$

(۳)  $\cos 2t - 2/5 \sin 2t$

(۴)  $2 \cos 2t + 2/5 \sin 2t$

۵۱- در مدار زیر،  $i_o(0^+)$  و  $\frac{d^2 v_c}{dt^2}(0^+)$  به ترتیب کدام است؟ ولتاژ اولیه خازن و جریان اولیه سلف را صفر در نظر بگیرید.



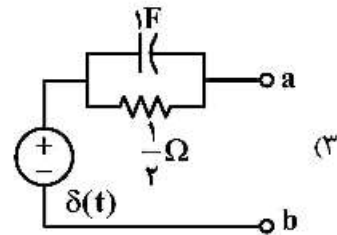
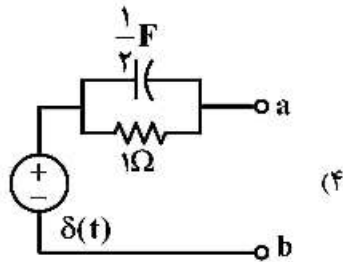
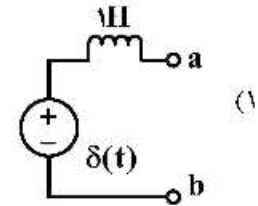
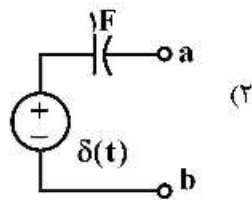
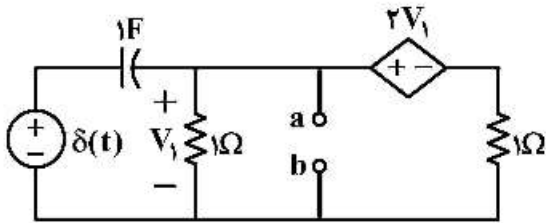
(۱)  $-9 \frac{v_c}{s^2}$  ,  $-1A$

(۲)  $-8 \frac{v_c}{s^2}$  ,  $-1A$

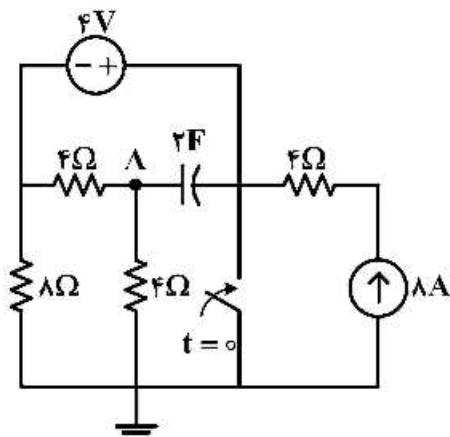
(۳)  $8 \frac{v_c}{s^2}$  ,  $1A$

(۴)  $8.75 \frac{v_c}{s^2}$  ,  $1A$

۵۲- مدار معادل تونین حالت صفر از دو سر a , b مدار زیر، کدام گزینه می تواند باشد؟



۵۳- در شکل زیر، کلید برای مدت طولانی باز بوده است و در  $t = 0$  بسته می شود. ولتاژ نقطه A در  $t = 0^+$  چند ولت است؟



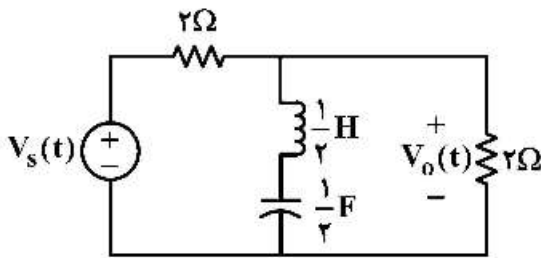
(۱) ۱۶

(۲) +۲۰

(۳) -۲۰

(۴) -۳۶

۵۴- در مدار زیر پاسخ ضربه کدام است؟



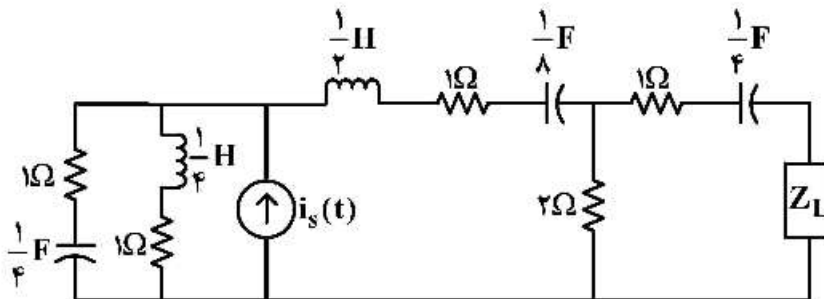
(۱)  $\frac{1}{2}\delta(t) - \frac{2}{\sqrt{3}}e^{-t}\cos(\sqrt{3}t + 30^\circ)$

(۲)  $\frac{1}{2}\delta(t) - \frac{2}{\sqrt{3}}e^{-t}\cos(\sqrt{3}t + 60^\circ)$

(۳)  $\delta(t) - \frac{2}{\sqrt{3}}e^{-t}\cos(\sqrt{3}t + 60^\circ)$

(۴)  $\delta(t) - \frac{2}{\sqrt{3}}e^{-t}\cos(\sqrt{3}t + 30^\circ)$

۵۵- در مدار زیر،  $i_s(t) = 2\cos 4t$ ، مقادیر خازن‌ها برحسب فاراد، سلف‌ها برحسب هنتری و مقاومت‌ها برحسب اهم داده شده است. امپدانس بار چه قدر باشد تا حداکثر توان متوسط را از مدار دریافت کند؟



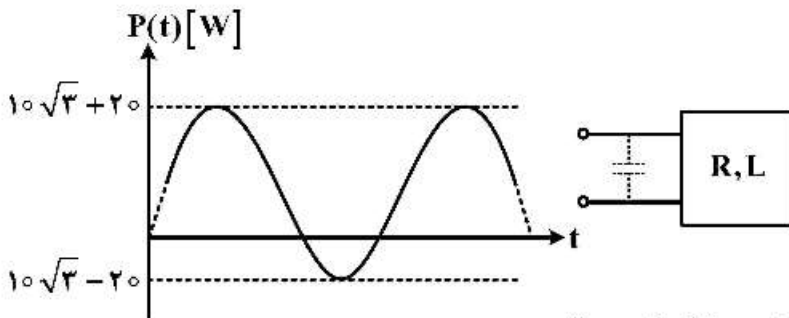
(۱) ۲

(۲)  $2 + j$

(۳)  $2 - j$

(۴)  $2 + 2j$

۵۶- نمودار توان لحظه‌ای شبکه‌ای از مقاومت‌ها و سلف‌های مثبت در شکل زیر نمایش داده شده است. اگر با موازی کردن خازن C با شبکه فوق ضریب توان ثابت بماند، توان راکتیو تولیدی خازن کدام است؟



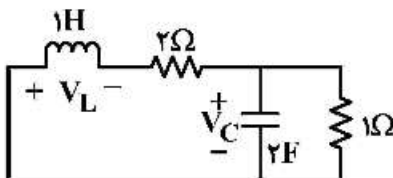
(۱)  $-10 \text{ VAR}$

(۲)  $-20 \text{ VAR}$

(۳)  $-30 \text{ VAR}$

(۴) امکان ندارد با افزودن خازن به شبکه ضریب توان ثابت بماند.

۵۷- در مدار زیر، معادله ولتاژ خازن  $V_C(t) = e^{-2t}(\sin t + \cos t)$  است. مقدار  $V_L(t)$  کدام است؟



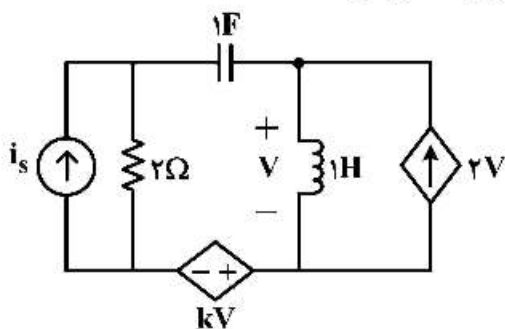
(۱)  $e^{-t}(3\sin t - 11\cos t)$

(۲)  $e^{-t}(9\cos t - 2\sin t)$

(۳)  $e^{-2t}(9\sin t - 2\cos t)$

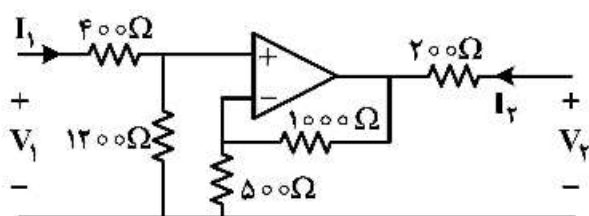
(۴)  $e^{-2t}(11\sin t - 3\cos t)$

۵۸- در مدار زیر محدوده  $k$  چقدر باشد تا فرکانس طبیعی متغیر  $V$  موهومی خالص گردد؟



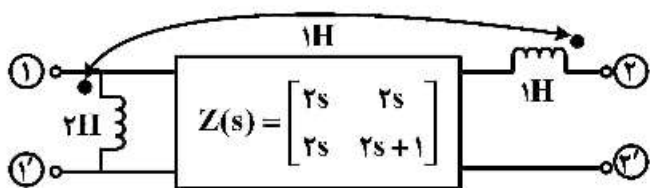
- (۱)  $k > 3$
- (۲)  $0 < k < 3$
- (۳)  $0 < k < 4$
- (۴) ممکن نیست.

۵۹- در مدار زیر، با فرض ایدئال بودن OP - Amp، دترمینان ماتریس  $H$  مدار کدام است؟  $\begin{pmatrix} V_1 \\ I_r \end{pmatrix} = H \begin{pmatrix} I_1 \\ V_r \end{pmatrix}$



- (۱) ۱
- (۲) ۴
- (۳) ۸
- (۴) ۱۶

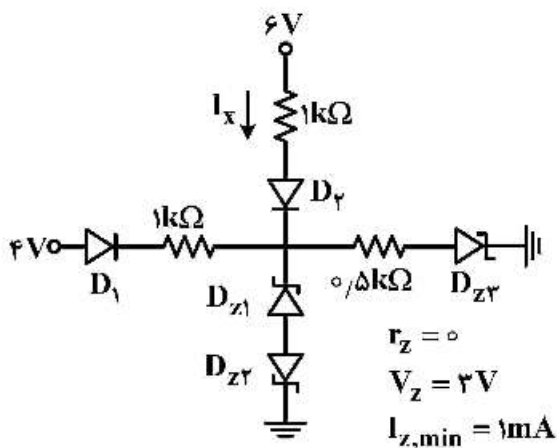
۶۰- در دوقطبی نشان داده شده در شکل زیر، مقدار  $y_{12}$  کدام است؟



- (۱)  $\frac{3}{2+s}$
- (۲)  $-\frac{3}{2+s}$
- (۳)  $\frac{2+s}{3}$
- (۴)  $-\frac{2+s}{3}$

الکترونیک (۲۰) و سیستم‌های دیجیتال ۱:

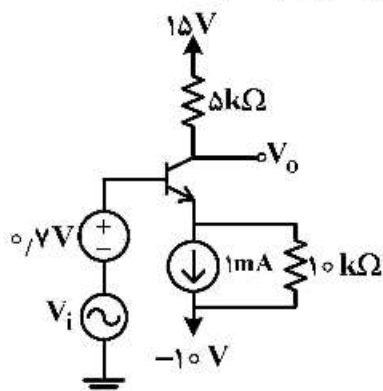
۶۱- در مدار زیر همه دیودها ایدئال بوده و ولتاژ شکست دیودهای زنر ۳ ولت است. مقدار جریان  $I_x$  چند میلی آمپر است؟



- (۱) ۲/۵
- (۲) ۳
- (۳) ۳/۵
- (۴) ۴

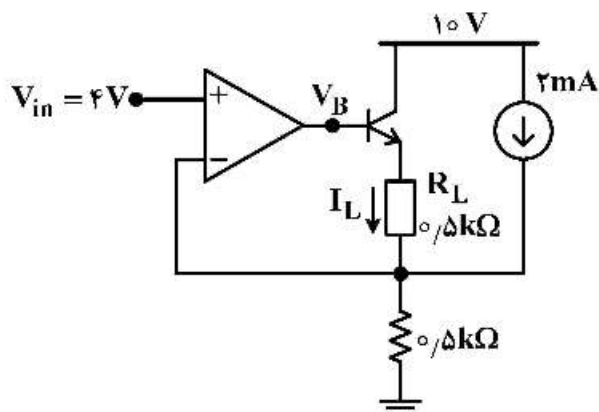


۶۲- در مدار زیر  $V_{BE} = 0.7V$  است. حداکثر مقدار دامنه سوئیچ متقارن خروجی، تقریباً چند ولت است؟



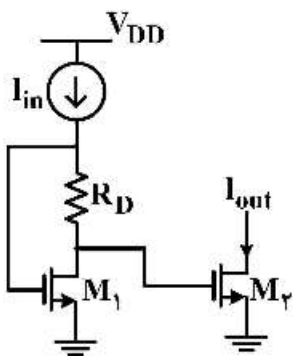
- (۱) ۵
- (۲) ۱۰
- (۳)  $\frac{10}{3}$
- (۴)  $\frac{5}{3}$

۶۳- در مدار زیر، آپامپ ایدئال و در ترانزیستور  $\alpha \approx 1$  و  $V_{BE} = 0.7V$  فرض می‌شود. جریان گذرنده از بار ( $I_L$ ) و ولتاژ بیس ( $V_B$ ) کدام است؟



- (۱) ولت  $V_B = 8/7$ ، میلی‌آمپر  $I_L = 8$
- (۲) ولت  $V_B = 6/7$ ، میلی‌آمپر  $I_L = 8$
- (۳) ولت  $V_B = 7/7$ ، میلی‌آمپر  $I_L = 6$
- (۴) ولت  $V_B = 8/7$ ، میلی‌آمپر  $I_L = 6$

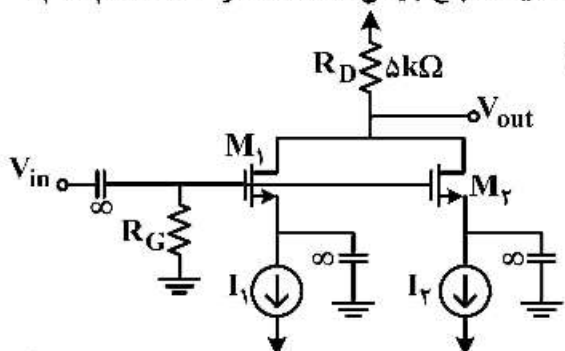
۶۴- در مدار زیر، همه ترانزیستورها در ناحیه اشباع بایاس شده‌اند. حداکثر مقدار جریان خروجی  $I_{out}$ ، چند میلی‌آمپر است؟



$$\begin{aligned} \mu_n C_{ox} (W/L)_1 &= 2 \text{ mA/V}^2 \\ \mu_n C_{ox} (W/L)_2 &= 16 \text{ mA/V}^2 \\ V_{TH1} &= 1V \\ V_A &= \infty \\ R_D &= 1 \text{ k}\Omega \\ 0.1 \text{ mA} &\leq I_{in} \leq 1 \text{ mA} \end{aligned}$$

- (۱) ۰.۵
- (۲) ۰.۸
- (۳) ۵
- (۴) ۸

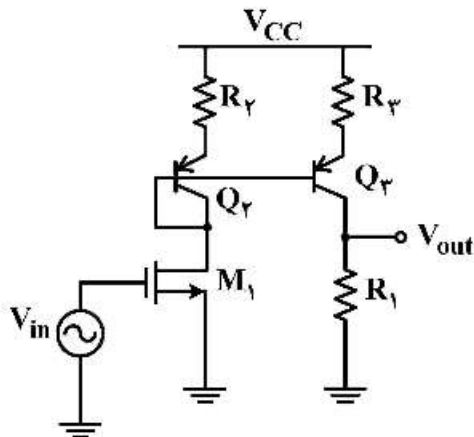
۶۵- در مدار زیر، ترانزیستورهای  $M_1$  و  $M_2$  یکسان بوده و در ناحیه اشباع بایاس شده‌اند. اگر  $I_1 + I_2 = 4 \text{ mA}$  باشد، حداکثر مقدار بهره ولتاژ  $A_v = \left| \frac{V_{out}}{V_{in}} \right|$  آن کدام است؟



- (۱) ۵۰
- (۲) ۱۰۰
- (۳) ۱۵۰
- (۴) ۲۰۰

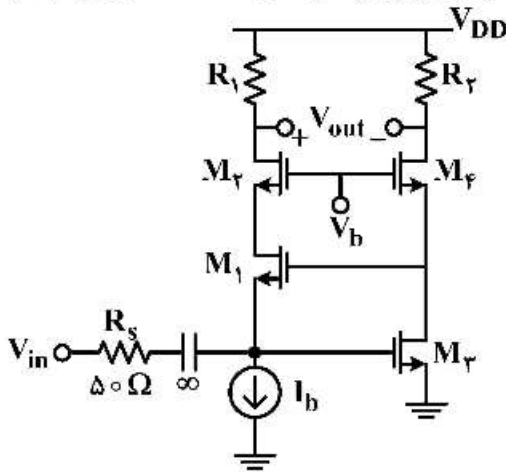
$$\begin{aligned} \lambda &= 0 \\ \mu_n C_{ox} \frac{W}{L} &= 25 \text{ mA/V}^2 \end{aligned}$$

۶۶- با فرض  $\beta = \infty$  و  $V_A = \infty$ ، بهره ولتاژ در مدار، کدام است؟



- (۱)  $g_{m1}R_1$
- (۲)  $\frac{g_{m1}g_{m2}R_1R_2}{(1+g_{m2}R_2)}$
- (۳)  $\frac{g_{m1}R_1R_2}{R_2}$
- (۴)  $\frac{g_{m1}g_{m2}R_1}{g_{m2}}$

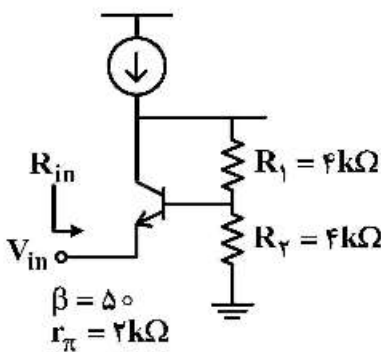
۶۷- در مدار زیر همه ترانزیستورها در ناحیه اشباع بایاس شده‌اند و منبع جریان  $I_b$  ایدئال است. مقدار بهره ولتاژ



آن  $A_v = \frac{V_{out}}{V_{in}}$  کدام است؟

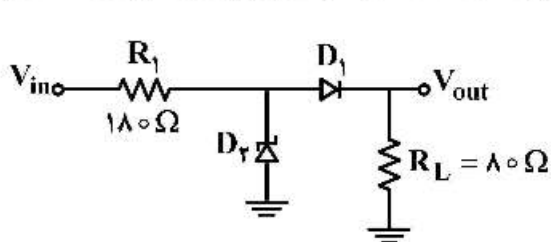
- (۱)  $10$
- (۲)  $20$
- (۳)  $V_A = \infty$
- (۴)  $R_1 = R_2 = 1k\Omega$

۶۸- در مدار زیر، مقدار مقاومت ورودی ( $R_{in}$ )، چند کیلو اهم است؟



- (۱)  $2$
- (۲)  $4$
- (۳)  $8$
- (۴)  $40$

۶۹- در مدار زیر، مقاومت دینامیکی دیود  $D_1$  برابر با  $20$  اهم و مقاومت شکست دیود  $D_2$  برابر با  $25$  اهم است. مقدار



رگولاسیون خط  $\left(\frac{\Delta V_{out}}{\Delta V_{in}}\right)$  آن کدام است؟

- (۱)  $0.8$
- (۲)  $0.2$
- (۳)  $0.4$
- (۴)  $0.1$

۷۰- در توصیف زیر کدام عبارت در مورد قرار گرفتن Flip.Flop ، Latch یا ترکیبی ساده، روی سه خروجی درست است؟

```

module hs(input [۷:۰] A,B,C,input [۱:۰] F,inputs,output reg d۱,d۲,d۳);
  always@(A,B,C,F)begin
    Case(F)
      ۰: {d۱,d۲,d۳} = {(A == B),(A < B) , (A > B)};
      ۱: begin d۲ = A > B;d۱ = A < B;end
      ۲: begin d۱ = s? A > B: A < B;d۲ = ۰;d۳ = ۰; end
      ۳: {d۱,d۲,d۳} = ۳'b۱۱;
      default : {d۱,d۲,d۳} = ۳'b۰;
    end case
  end
end module

```

(۱) d۱ دارای لچ است، d۲ دارای لچ است، d۳ دارای لچ است.

(۲) d۱ ترکیبی ساده است، d۲ ترکیبی ساده است، d۳ دارای لچ است.

(۳) d۱ دارای لچ است، d۲ ترکیبی ساده است، d۳ دارای لچ است.

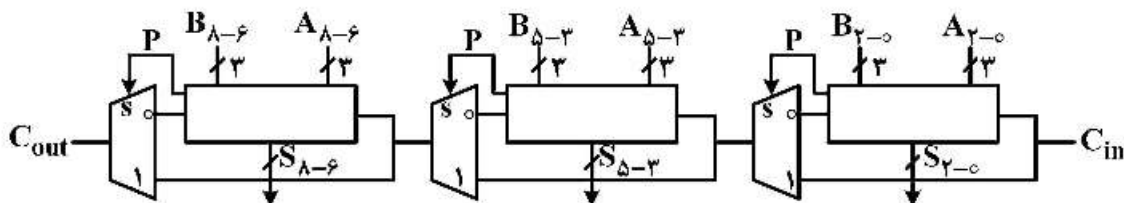
(۴) d۱ دارای لچ است، d۲ ترکیبی ساده است، d۳ دارای فلیپ فلاپ است.

۷۱- شکل زیر یک جمع کننده ۹ بیتی Carry Ripple Adder (CRA) را نشان می دهد که از اتصال ۳ جمع کننده ۳ بیتی

بیتی CRA به دست آمده است. هر ماجول ۳ بیتی CRA یک سیگنال P را تولید می کند. فرض کنید تأخیر مالتی

پلکسر، Full Adder و محاسبه P با هم برابر باشند. تأخیر محاسبه حاصل جمع در کدام گزینه بیشتر است؟

(P سیگنال انتشار بیت نقلی گروهی (Block Carry) است)



$$A = 010 \quad 101 \quad 101 \quad C_{in} = 0 \quad (۱)$$

$$B = 101 \quad 010 \quad 011$$

$$A = 110 \quad 101 \quad 101 \quad C_{in} = 0 \quad (۲)$$

$$B = 101 \quad 110 \quad 111$$

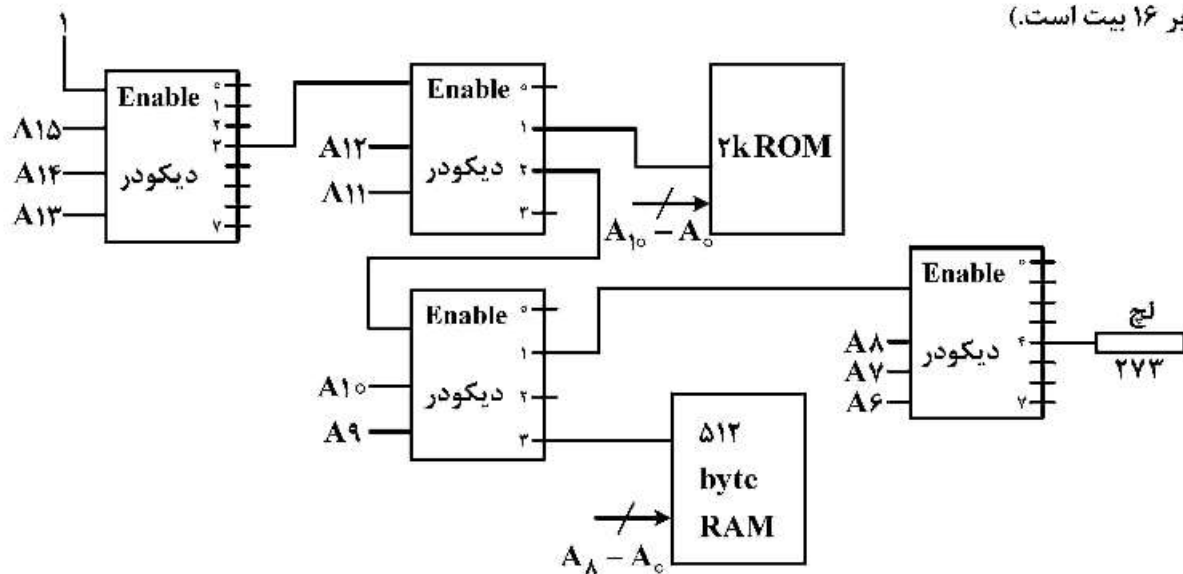
$$A = 111 \quad 111 \quad 111 \quad C_{in} = 1 \quad (۳)$$

$$B = 111 \quad 111 \quad 111$$

$$A = 111 \quad 011 \quad 111 \quad C_{in} = 1 \quad (۴)$$

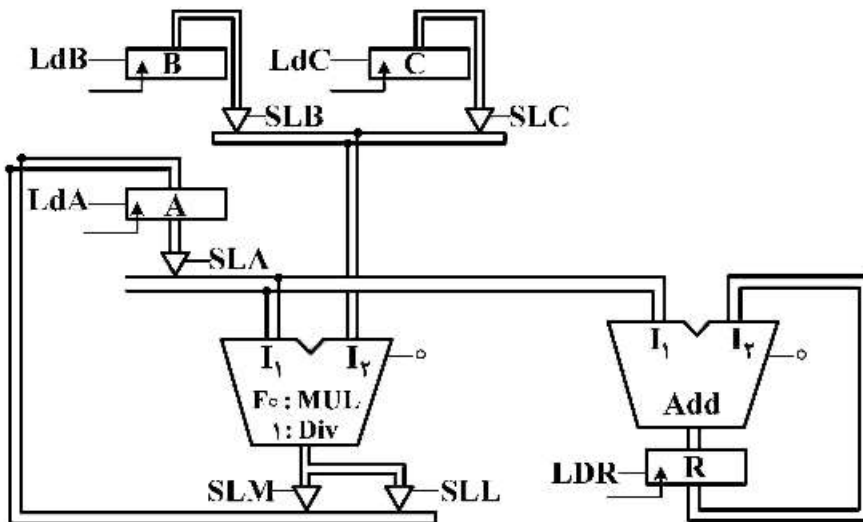
$$B = 011 \quad 111 \quad 011$$

۷۲- در مدار زیر، آدرس‌های اول و آخر RAM، ROM و لیچ به ترتیب از راست به چپ کدام است؟ (حجم آدرس باس برابر ۱۶ بیت است).



- (۱) ۴۸۰۰ ، ۵۶۰۰ ، ۴۳۰۰ ، ۵۷FF
- (۲) ۴۸۰۰ ، ۵۸۰۰ ، ۵۸C۲ ، ۵۸FF
- (۳) ۵۸۰۰ ، ۵۶۰۰ ، ۵۵۰۰ ، ۵۶FF ، ۵FFF
- (۴) ۴۴۰۰ ، ۵۷۰۰ ، ۴۶۰۰ ، ۵۸۰۰ ، ۴۷۰F

۷۳- مدار زیر برای انجام ضرب‌ها و جمع‌هاست و تنها هشت بیت پر ارزش در ضرب‌ها مطرح است. برای انجام  $R = R + A \times B \times C$  کدام کنترل سیگنال‌ها و به چه ترتیب صادر شوند؟ در کنترل سیگنال‌ها SL برای Select و Ld برای Load است.



(۱)

| LdA | SLA | LdB | SLB | LdC | SLC | SLM | SLL | LdR |        |
|-----|-----|-----|-----|-----|-----|-----|-----|-----|--------|
| ○   | ۱   | ○   | ○   | ○   | ۱   | ۱   | ○   | ○   | سیکل ۱ |
| ○   | ۱   | ○   | ○   | ○   | ۱   | ۱   | ○   | ○   | سیکل ۲ |
| ○   | ○   | ○   | ۱   | ○   | ۱   | ۱   | ○   | ○   | سیکل ۳ |

(۲)

| LdA | SLA | LdB | SLB | LdC | SLC | SLM | SLL | LdR |        |
|-----|-----|-----|-----|-----|-----|-----|-----|-----|--------|
| ○   | ۱   | ○   | ۱   | ○   | ○   | ۱   | ○   | ○   | سیکل ۱ |
| ○   | ۱   | ○   | ۱   | ○   | ۱   | ۱   | ○   | ○   | سیکل ۲ |
| ○   | ○   | ○   | ○   | ○   | ○   | ○   | ۱   | ۱   | سیکل ۳ |

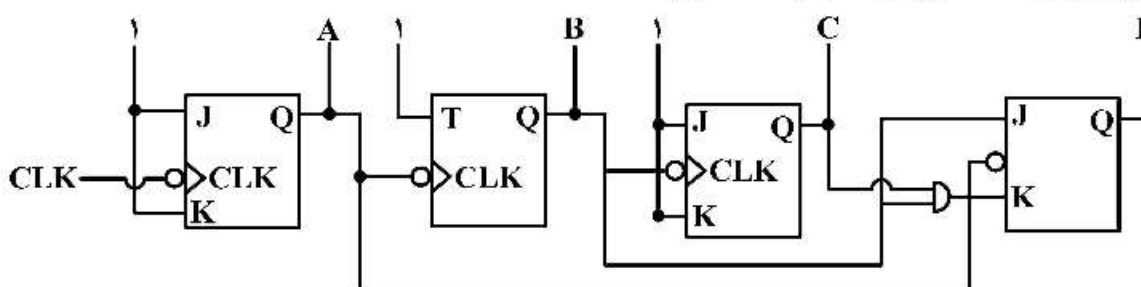
(۳)

| LdA | SLA | LdB | SLB | LdC | SLC | SLM | SLL | LdR |        |
|-----|-----|-----|-----|-----|-----|-----|-----|-----|--------|
| ۱   | ۱   | ۱   | ○   | ۱   | ○   | ۱   | ○   | ○   | سیکل ۱ |
| ○   | ۱   | ○   | ○   | ۱   | ○   | ۱   | ○   | ○   | سیکل ۲ |
| ○   | ○   | ○   | ○   | ○   | ○   | ○   | ○   | ۱   | سیکل ۳ |

(۴)

| LdA | SLA | LdB | SLB | LdC | SLC | SLM | SLL | LdR |        |
|-----|-----|-----|-----|-----|-----|-----|-----|-----|--------|
| ۱   | ۱   | ○   | ۱   | ○   | ○   | ۱   | ○   | ○   | سیکل ۱ |
| ۱   | ۱   | ○   | ○   | ○   | ۱   | ۱   | ○   | ○   | سیکل ۲ |
| ○   | ۱   | ○   | ○   | ○   | ○   | ○   | ○   | ۱   | سیکل ۳ |

۷۴- در مدار زیر، اگر تأخیر خروجی ها ( $\bar{Q}$ ,  $Q$ ) نسبت به ورودی ( $CLK$ ) برابر  $4/5 ns$  باشد، بیش ترین فرکانس قابل پذیرش برای  $CLK$  ورودی مدار، چند مگاهرتز است؟



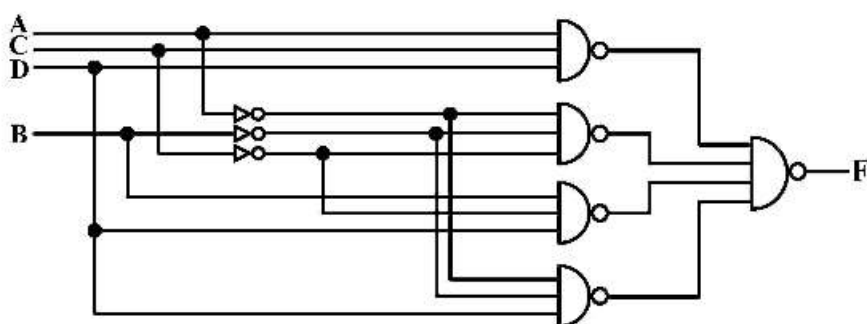
(۱) ۵۵/۵۵

(۲) ۷۴/۰۷

(۳) ۱۱۱/۱۱

(۴) ۲۲۲/۲۲

۷۵- در مدار زیر، چند Hazard وجود دارد؟



(۱) ۱

(۲) ۲

(۳) ۳

(۴) ۴

ماشین های الکتریکی (۱ و ۲) و تحلیل سیستم های انرژی الکتریکی ۱:

۷۶- در یک موتور القایی سه فاز قفس سنجایی، گشتاور ماکزیمم ۲ برابر گشتاور بار کامل است. مقاومت و راکتانس حالت سکون هر فاز روتور ارجاع شده به سمت استاتور به ترتیب برابر  $0/2 \Omega$  و  $2 \Omega$  است. اگر موتور به روش ستاره - مثلث راه اندازی شود، گشتاور راه اندازی چند برابر گشتاور نامی خواهد بود؟ از امپدانس استاتور چشم پوشی شود.

(۱) ۰/۱۳۲

(۲) ۰/۱۹۸

(۳) ۰/۳۹۶

(۴) ۰/۵۹۴

۷۷- یک ماشین القایی که سرعت سنکرون آن  $n_s$  است، با سرعت  $n_r$  می چرخد. می توان گفت که سرعت میدان گردان روتور نسبت به:

(۱) روتور،  $n_r$  است.(۲) استاتور،  $n_s$  است.(۳) روتور،  $n_s$  است.(۴) استاتور،  $n_r$  است.



۷۸- یک موتور القایی سه فاز  $15\text{ kW}$ ،  $400$  ولت،  $4$  قطب،  $50\text{ Hz}$  با اتصال ستاره زیر بار کامل با گشتاور الکترومغناطیسی  $100\text{ Nm}$  کار می‌کند. مقاومت هر فاز استاتور یک اهم است. جریان بی‌باری موتور  $8\text{ A}$ ، توان ورودی در حالت بی‌باری  $1/5\text{ kW}$  و تلفات هسته  $80\text{ W}$  است. سرعت موتور در بار کامل چند rpm است؟

(۱)  $1430$

(۲)  $1440$

(۳)  $1480$

(۴)  $1490$

۷۹- در یک موتور dc تحریک مستقل مقادیر نامی به شرح زیر است:

$$V_{an} = 210\text{ V}, I_{an} = 10\text{ A}, n_n = 1000\text{ rpm}, I_{fn} = 1\text{ A}, R_a = 1\Omega$$

این موتور به منبع ولتاژ نامی وصل می‌شود و با  $25\%$  گشتاور نامی در سرعت  $n_p = 2000\text{ rpm}$  کار می‌کند. جریان تحریک در این حالت چند آمپر است؟ مدار مغناطیسی ماشین خطی فرض می‌شود.

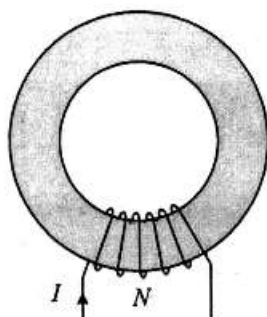
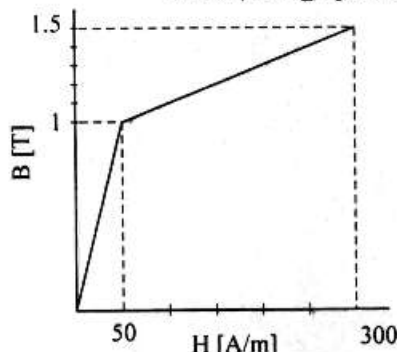
(۱)  $0/13$

(۲)  $0/27$

(۳)  $0/51$

(۴)  $0/91$

۸۰- یک مدار مغناطیسی با هسته، با مقطع تاج دایره مطابق شکل زیر مفروض است. مشخصه  $B(H)$  هسته نیز در شکل زیر داده شده است. سیم‌پیچ دارای  $200$  دور است و جریان  $0/45$  آمپر از آن عبور داده می‌شود. محیط داخلی هسته  $1/2$  متر و محیط خارجی آن  $2$  متر است و با توجه به زیاد بودن اختلاف این دو محیط، چگالی شار در هسته یکنواخت نیست. نسبت بیشترین چگالی شار در هسته به کمترین مقدار آن کدام است؟



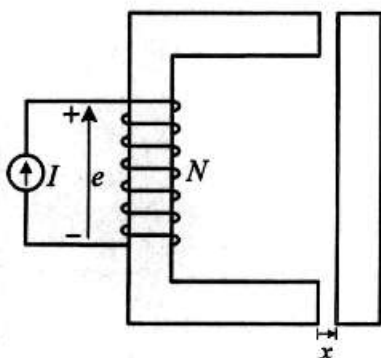
(۱)  $\frac{8}{7}$

(۲)  $\frac{7}{6}$

(۳)  $\frac{4}{3}$

(۴)  $\frac{3}{2}$

۸۱- سیم‌پیچ مبدل الکترومکانیکی شکل زیر، از یک منبع جریان ثابت  $I$  آمپر تغذیه می‌شود. قسمت متحرک نیز تحت یک نیروی خارجی متناوب قرار دارد به طوری که مقدار  $x$  نشان داده شده در شکل به صورت  $x = 2x_0 + x_0 \sin \omega t$  با زمان تغییر می‌کند. سطح مقطع هسته یکنواخت و برابر  $A$  است. از افت آمپر دور در هسته، و نیز از نشست و پراکنندگی شار چشم‌پوشی می‌شود. معادله نیروی محرکه القا شده در دو سر سیم‌پیچ کدام است؟



(۱) 
$$e = -\frac{\mu_0 A \omega N^2 I^2}{x_0^2} \cos \omega t$$

(۲) 
$$e = -\frac{\mu_0 A \omega N^2 I}{x_0} \cos \omega t$$

(۳) 
$$e = -\frac{\mu_0 A \omega N^2 I^2}{2x_0^2} \cos \omega t$$

(۴) 
$$e = -\frac{\mu_0 A \omega N^2 I}{2x_0} \cos \omega t$$

۸۲- یک موتور سری با مدار مغناطیسی خطی از یک منبع ولتاژ  $40$  ولتی راه‌اندازی می‌شود و ولتاژ آن به تدریج تا  $200$  ولت افزایش داده می‌شود و در نهایت به حالت ماندگار می‌رسد. گشتاور راه‌اندازی موتور چهار برابر گشتاور بار است. اگر گشتاور بار  $30$  نیوتن متر باشد، سرعت موتور چند دور در دقیقه خواهد بود؟ (مجموع مقاومت‌های آرمیچر و میدان  $0.8$  اهم است.)

$$(1) \frac{4500}{\pi}$$

$$(2) \frac{5500}{\pi}$$

$$(3) \frac{4000}{\pi}$$

$$(4) \frac{5000}{\pi}$$

۸۳- مشخصه بی‌باری یک موتور dc شنت به صورت  $E_a = \frac{(9I_{sh} + 2)n}{57(I_{sh} + 2)}$  ولت است که در آن،  $n$  سرعت موتور بر حسب دور در دقیقه و  $I_{sh}$  شدت جریان میدان بر حسب آمپر است. مقاومت آرمیچر  $0.2$  اهم است. موتور از یک منبع  $205$  ولتی تغذیه می‌شود و با جریان آرمیچر  $25$  آمپر و با سرعت  $1800$  دور در دقیقه می‌چرخد. مقاومت میدان شنت چند اهم است؟

$$(1) 40$$

$$(2) 41.25$$

$$(3) 50$$

$$(4) 51.25$$

۸۴- یک ترانسفورماتور تک‌فاز  $10 \text{ kVA}$ ، مفروض است. تلفات هسته تحت ولتاژ نامی  $100 \text{ W}$ ، تلفات مسی در بار نامی  $200 \text{ W}$  و منحنی بار روزانه این ترانسفورماتور به صورت زیر است:

۱۰ ساعت با  $70\%$  بار نامی و ضریب توان  $0.8$

۴ ساعت بی‌بار

۱۰ ساعت با  $90\%$  بار نامی و ضریب توان  $0.9$

راندمان شبانه‌روزی ترانسفورماتور، چند درصد است؟

$$(1) 96.07$$

$$(2) 96.48$$

$$(3) 96.75$$

$$(4) 96.97$$

۸۵- ثانویه یک ترانسفورماتور تک فاز  $10\text{ kVA}$  مطابق شکل زیر از دو سیم پیچ مشابه، که موازی هم هستند، تشکیل شده است. ترانسفورماتور با ولتاژ نامی تغذیه می شود و هنگامی که در بار کامل قرار دارد، تلفات آهن معادل  $2/2\text{ kW}$  و تلفات مس در اولیه و ثانویه به ترتیب  $0/8\text{ kW}$  و  $1/2\text{ kW}$  می شود. یکی از سیم پیچ های ثانویه مدار باز می شود و اولیه از منبع ولتاژ نامی خود تغذیه می شود. راندمان ترانسفورماتور در حالی که سیم پیچ دیگر ثانویه یک بار را با جریان نامی خود و با ضریب توان واحد تغذیه می کند، چند درصد می شود؟ از مدار معادل تقریبی استفاده کنید.



(۱)  $60/9$

(۲)  $62/5$

(۳)  $76/9$

(۴)  $87/7$

۸۶- انتهای یک خط تک فاز دو سیم به طول  $50$  کیلومتر اتصال کوتاه شده است. چنانچه ولتاژ سینوسی  $314$  ولتی با فرکانس  $50$  هرتز به ابتدای خط اعمال شود، جریان  $200$  آمپر در خط جاری می شود. اندوکتانس خودی سیم رفت  $3/5$  میلی هانری است. فاصله بین سیم رفت و برگشت چند متر است؟ (هادی سیم رفت و برگشت یکسان است).

(۱)  $e^{-0/25}$

(۲)  $e^{-0/2}$

(۳)  $e^{0/15}$

(۴)  $e^{-0/1}$

۸۷- در صورتی که اختلاف فاز بین ولتاژهای دو پایانه یک خط انتقال با طول متوسط افزایش یابد و اندازه این دو ولتاژ ثابت بماند، کدام گزینه در مورد قدرت راکتیو جذب شده توسط اندوکتانس سلفی خط (QL) و قدرت راکتیو تولیدی توسط خازن خط (QC)، صحیح است؟

(۱) QL و QC هر دو افزایش می یابند.

(۲) QL کاهش و QC ثابت می ماند.

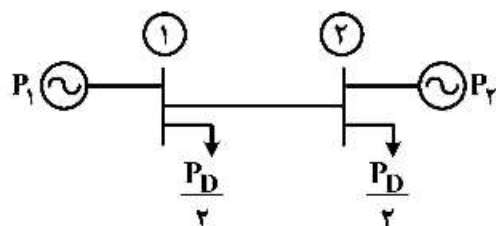
(۳) QL افزایش و QC ثابت می ماند.

(۴) QL و QC هر دو کاهش می یابند.

۸۸- در شبکه بدون تلفات شکل زیر، توزیع بار اقتصادی بدون در نظر گرفتن محدودیت خط انتقال به نحوی است که

هزینه حاشیه ای سیستم برابر با  $\frac{S}{\text{MWh}}$  به دست می آید. با در نظر گرفتن توابع هزینه زیر برای دو واحد

تولیدی و فرض محدودیت انتقال توان  $100\text{ MW}$  برای خط انتقال، مقدار بار کل شبکه ( $P_D$ ) و توان تولیدی واحدهای تولیدی در وضعیت بهره برداری اقتصادی کدام است؟



$$F_1 = 0/01P_1^2 + 14P_1 + 100$$

$$F_2 = 0/02P_2^2 + 20P_2 + 80$$

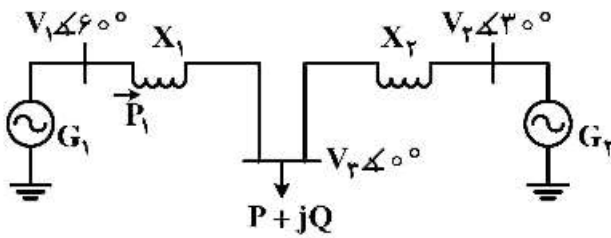
(۲)  $P_1 = 400, P_2 = 200, P_D = 600$

(۱)  $P_1 = 500, P_2 = 100, P_D = 600$

(۴)  $P_1 = 1000, P_2 = 200, P_D = 1200$

(۳)  $P_1 = 700, P_2 = 500, P_D = 1200$

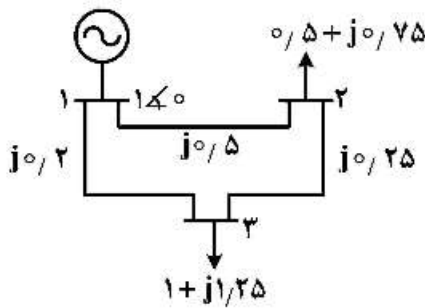
۸۹- در سیستم زیر، اندازه ولتاژ پایانه ژنراتور  $G_2$  کدام است؟ ( $X_1 = 2X_2$ )



- (۱)  $\sqrt{3} V_1 \frac{(P - P_1)}{P_1}$
- (۲)  $\frac{1}{\sqrt{3}} V_1 \frac{(P - P_1)}{P_1}$
- (۳)  $\frac{V_1 (P - P_1)}{2 P_1}$
- (۴)  $\frac{\sqrt{3}}{2} V_1 \frac{(P - P_1)}{P_1}$

۹۰- در شبکه زیر، با مقادیر اولیه  $V_1 = 1 \angle 0^\circ$ ، ولتاژ باس ۲ پس از یک تکرار روش گوس - سایدل، کدام است؟

(امپدانسها و ولتاژها و توانها بر حسب pu است.)



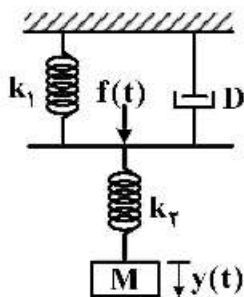
$$Y_{bus} = j \begin{bmatrix} -7 & 2 & 5 \\ 2 & -6 & 4 \\ 5 & 4 & -9 \end{bmatrix}$$

- (۱)  $\frac{5/25 - j0.5}{6}$
- (۲)  $\frac{6/75 + j0.5}{6}$
- (۳)  $\frac{-6/75 - j0.5}{6}$
- (۴)  $\frac{-5/25 + j0.5}{6}$

سیستم‌های کنترل خطی:

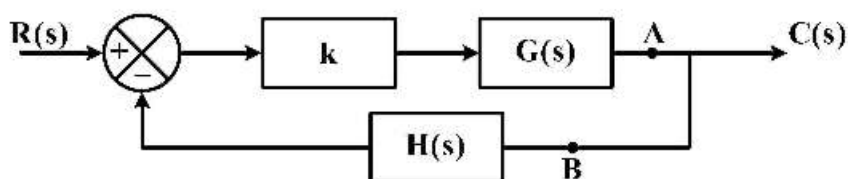
۹۱- در سیستم زیر، نیروی  $f(t)$  ورودی و  $y(t)$  خروجی است. به‌ازای چه مقدار  $k_1$ ، خروجی  $y(t)$  با اعمال ورودی

ضربه واحد، پس از گذشت مدت زمانی صفر خواهد شد؟  $k^*$ ، یک بهره ثابت است.  $M = k_2 = D = 1$ .



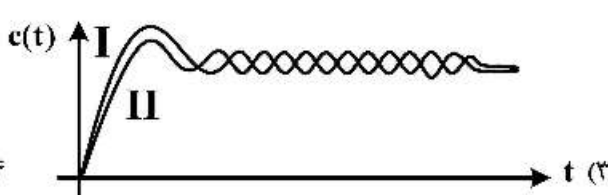
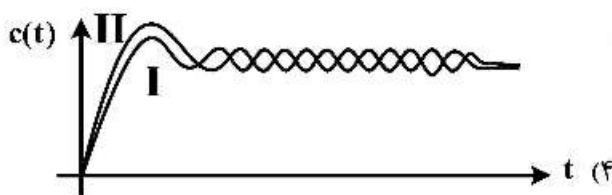
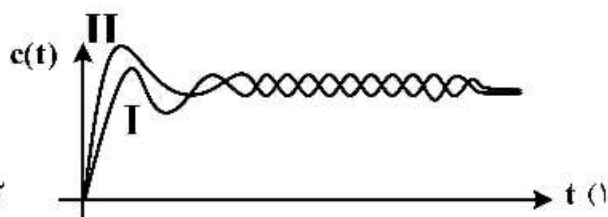
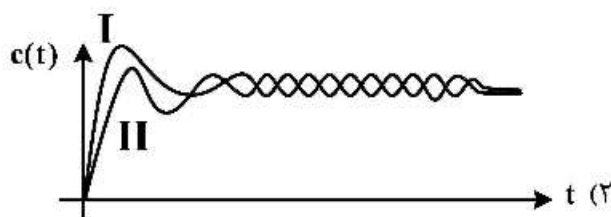
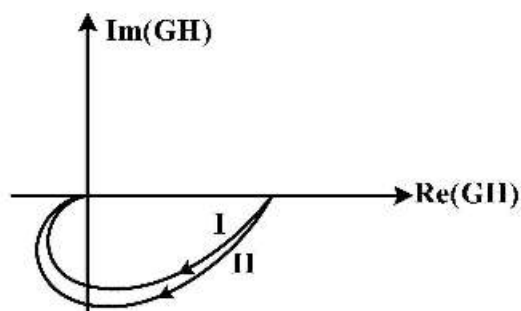
- (۱)  $k_1 > k^*$
- (۲)  $k_1 < k^*$
- (۳)  $k_1 = 2\sqrt{D}$
- (۴)  $k_1 > 0$

۹۲- بهره  $k$  را چطور انتخاب کنیم تا اثر اغتشاش وارد در نقطه  $A$  و نقطه  $B$  حداقل شود؟

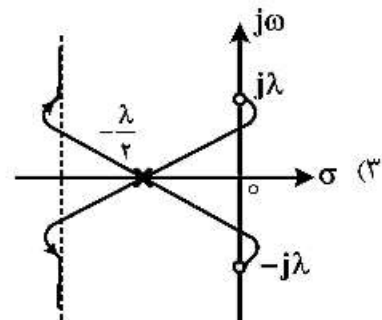
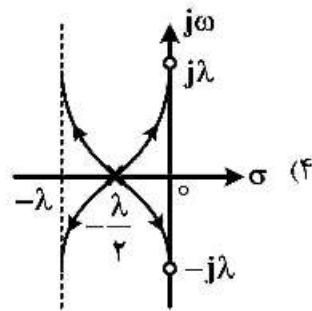
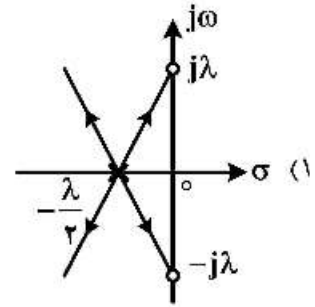
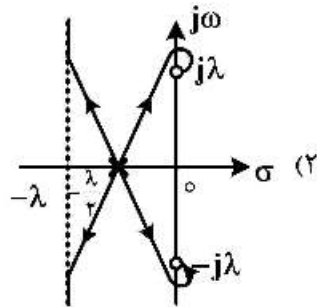
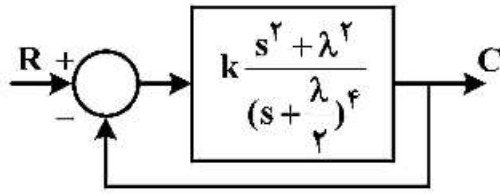


- (۱)  $A$ : کاهش  $k$ ,  $B$ : افزایش  $k$   
 (۲)  $A$ : افزایش  $k$ ,  $B$ : کاهش  $k$   
 (۳)  $A$ : کاهش  $k$ ,  $B$ : کاهش  $k$   
 (۴)  $A$ : افزایش  $k$ ,  $B$ : افزایش  $k$

۹۳- نمودار قطبی دو سیستم مرتبه دو در زیر رسم شده است. در صورتی که این دو سیستم فرکانس طبیعی یکسانی داشته باشند، پاسخ پله این دو سیستم، کدام است؟

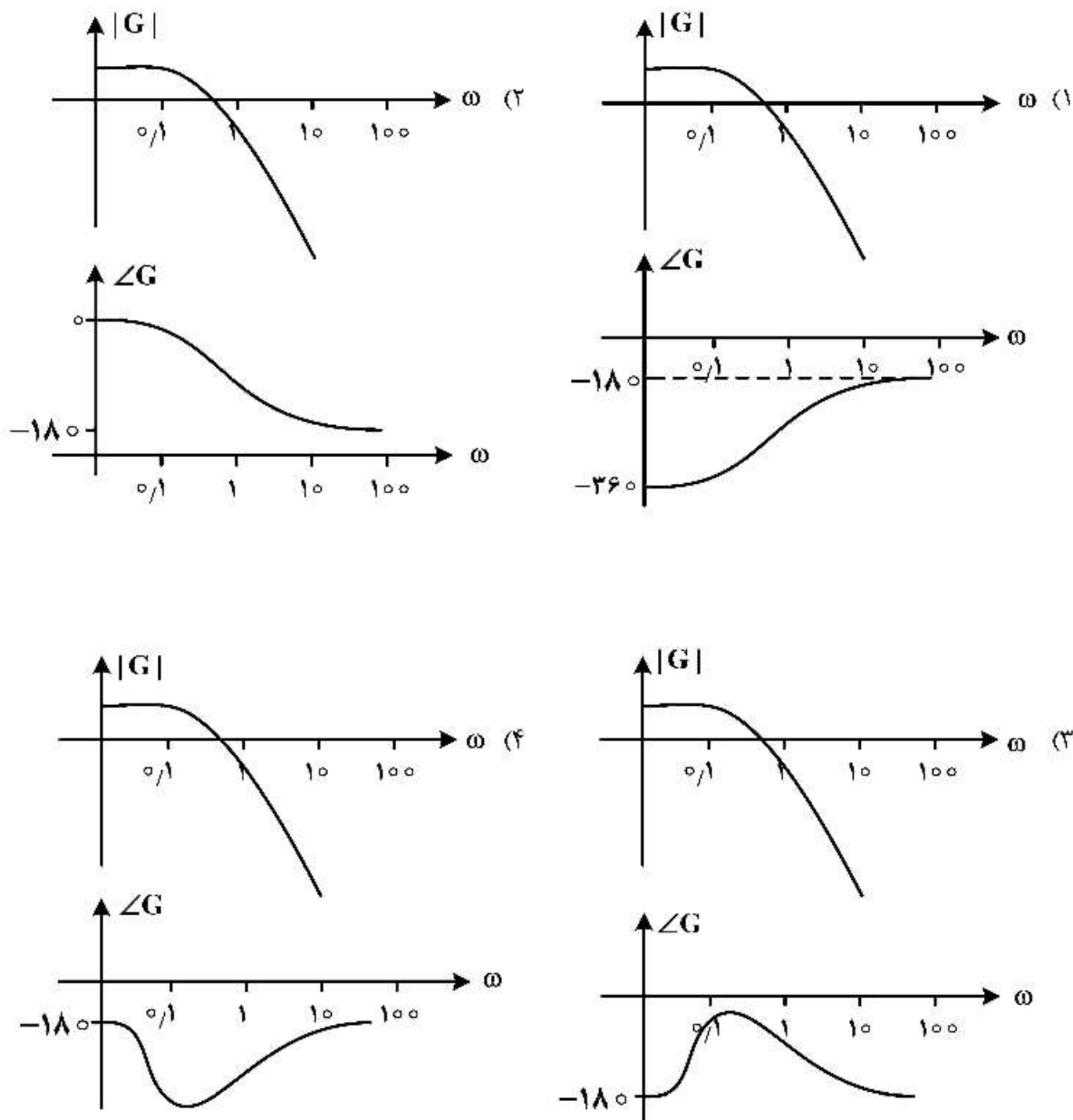


۹۴- نمودار مکان هندسی ریشه‌ها برای سیستم زیر به‌ازای  $k > 0$  و  $\lambda > 0$ ، کدام است؟

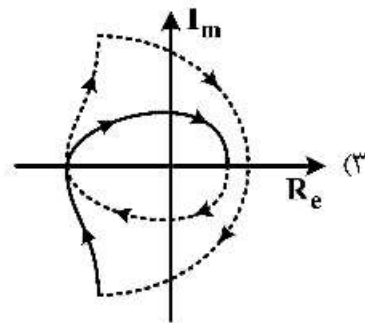
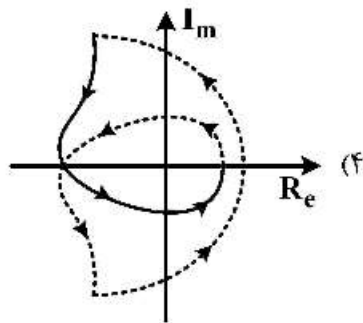
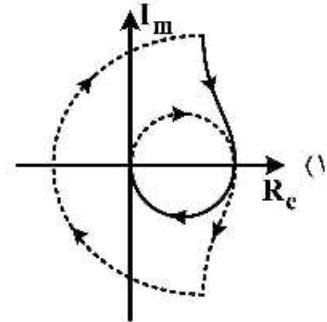
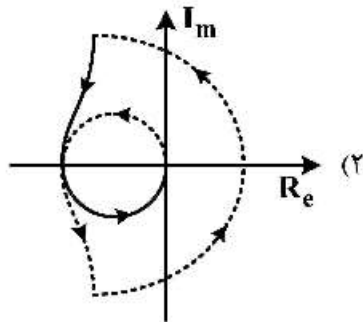




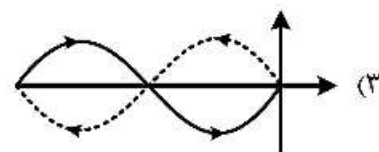
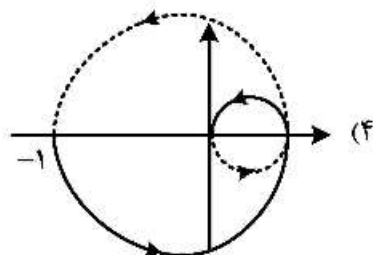
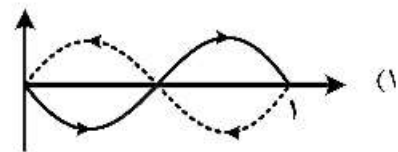
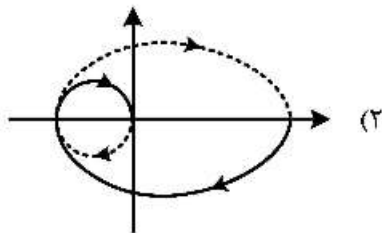
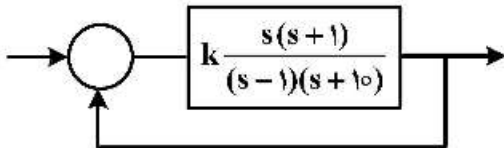
۹۵- دیاگرام بودی سیستم با تابع تبدیل  $G(s) = \frac{2}{s^2 - 3s - 1}$ ، کدام است؟



۹۶- یک سیستم کنترل با تابع تبدیل مسیر پیشروی  $G(s)$  و فیدبک واحد منفی را در نظر بگیرید که در آن تابع  $G(s)$  حداقل تعداد صفر و قطب حقیقی را داشته باشد. می‌دانیم  $g(0^+) = K$  که  $g(t)$  پاسخ ضربه  $G(s)$  است. همچنین خطای مانای سیستم حلقه بسته به ورودی شتاب  $(\frac{1}{4}t^2)$  صفر است. کدام گزینه نمودار نایکوئیست این سیستم را نشان می‌دهد؟



۹۷- دیاگرام نایکوئیست سیستم زیر، کدام است؟



۹۸- یک سیستم فیدبک واحد منفی با تابع تبدیل حلقه باز  $G(s) = \frac{1}{(s-3)(s+2)}$  را در نظر بگیرید. کنترل کننده

مناسب برای پایدارسازی سیستم حلقه بسته و خطای حالت دائم به ورودی پله  $e_{ss} = 0.1$  کدام است؟

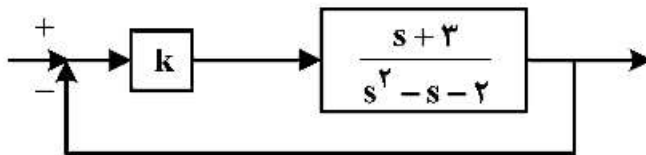
$$C(s) = k \frac{s+4}{s+4.5} \quad (1)$$

$$C(s) = k \frac{s-3}{s+4} \quad (2)$$

$$C(s) = k \frac{s+4}{s+6} \quad (3)$$

$$C(s) = k \frac{s+4}{s+5.1} \quad (4)$$

۹۹- سیستم زیر را در نظر بگیرید. به ازای چه مقادیری از  $k$  سیستم در پاسخ به ورودی پله، دارای پاسخ نوسانی است؟



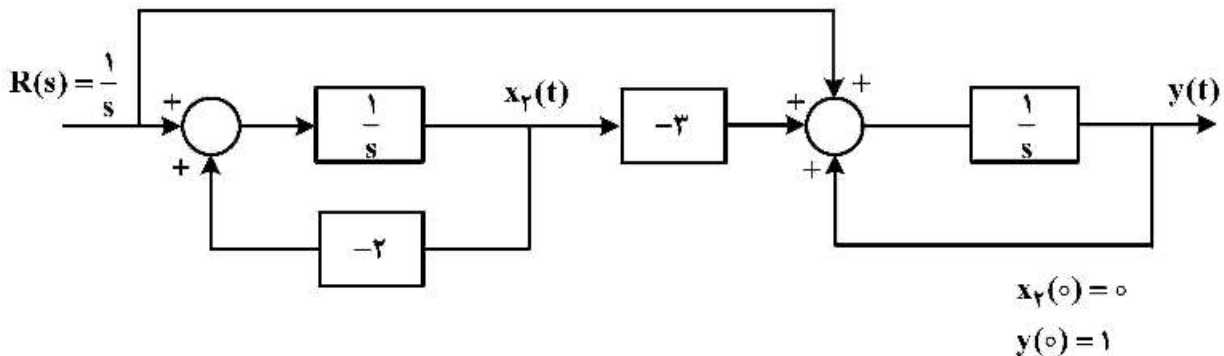
$$k = 13/3 \quad (1)$$

$$k > 13/3 \quad (2)$$

$$1 < k < 13/3 \quad (3)$$

$$k > 1 \quad (4)$$

۱۰۰- مقدار حالت دائم خروجی ( $y_{ss}$ ) برای سیستم زیر، کدام است؟



$$x_p(0) = 0$$

$$y(0) = 1$$

$$\infty \quad (4)$$

$$2 \quad (3)$$

$$\frac{1}{2} \quad (2)$$

$$-\frac{1}{2} \quad (1)$$

۱۰۱- سیستم زیر را در نظر بگیرید:

$$G(s) = \frac{k}{s(s+2)(s+4)}$$

در حوالی کدام نقطه، کمترین تغییرات قطبها حاصل می شود؟

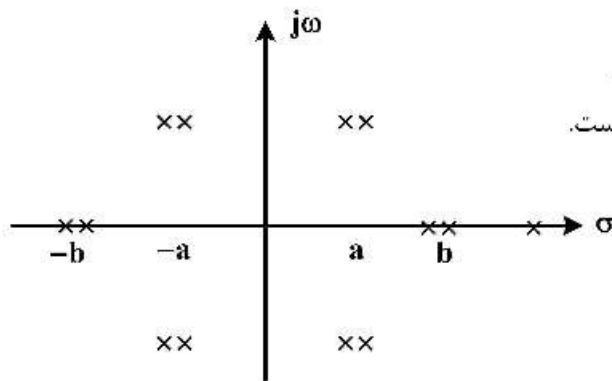
$$s = -3 \quad (1)$$

$$s = -2.2 \quad (2)$$

$$s = -1 \quad (3)$$

$$s = -2.25 \quad (4)$$

۱۰۲- در صورتی که محل ریشه‌های معادله مشخصه مطابق شکل زیر باشد، در ارائه راث چه رخ می‌دهد؟



- (۱) بین دو سطر صفر سه تغییر علامت وجود دارد.
- (۲) بعد از اولین سطر صفر هفت تغییر علامت وجود دارد.
- (۳) دارای یک سطر صفر و چهار تغییر علامت بعد از آن است.
- (۴) سه سطر صفر دارد.

### سیگنال‌ها و سیستم‌ها:

۱۰۳- یک سیستم با رابطه ورودی  $(x(t))$  - خروجی  $(y(t))$  به صورت  $y(t) = x(\sin(t))$  در کدام دسته قرار دارد؟

- (۱) تغییرپذیر با زمان و علی
- (۲) تغییرپذیر با زمان و غیرعلی
- (۳) تغییرناپذیر با زمان و غیرعلی
- (۴) تغییرناپذیر با زمان و علی

۱۰۴- ورودی یک سیستم گسسته  $x[n]$  و خروجی آن  $y[n]$  به صورت زیر است:

$$y[n] = y[n-1]x[n-1] + \frac{1}{4}x[n]$$

در مورد خطی بودن و پایداری سیستم فوق، کدام گزینه درست است؟

- (۱) سیستم خطی و پایدار است.
- (۲) سیستم خطی و ناپایدار است.
- (۳) سیستم غیرخطی و پایدار است.
- (۴) سیستم غیرخطی و ناپایدار است.

۱۰۵- کدام گزینه صحیح است؟

- (۱) اتصال متوالی دو سیستم غیرخطی، معادل یک سیستم غیرخطی است.
- (۲) اتصال متوالی دو سیستم پایدار، می‌تواند سیستم معادل ناپایدار را نتیجه دهد.
- (۳) یک سیستم خطی وارون‌پذیر است اگر و تنها اگر سیگنال خروجی صفر، تنها ناشی از اعمال ورودی صفر باشد.
- (۴) در هر سیستم علی، اگر ورودی تا لحظه دلخواه  $t_0$  متحد با صفر باشد، سیگنال خروجی نیز متحد با صفر است.

۱۰۶- سیگنال  $x(t)$  به صورت زیر تعریف شده است. مقدار  $x(\frac{3}{4})$  کدام است؟

$$x(t) = \sum_{n=-\infty}^{+\infty} \text{sinc}(t - 3n)$$

$$\text{sinc}(x) = \frac{\sin(\pi x)}{\pi x}$$

$$-\frac{2}{3} \quad (۲)$$

$$۱ \quad (۴)$$

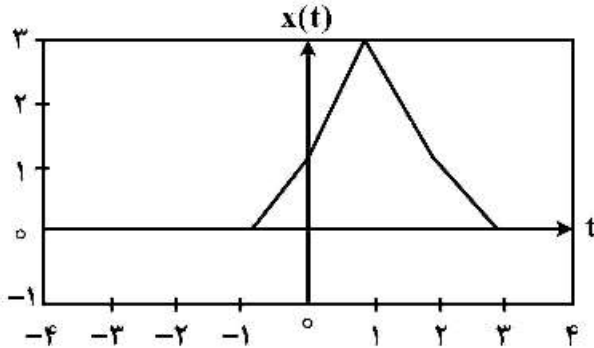
$$-\frac{1}{3} \quad (۱)$$

$$\frac{1}{3} \quad (۳)$$

۱۰۷- سیگنال پیوسته در زمان  $x(t)$  به صورت زیر داده شده است. با در نظر گرفتن  $H(\omega) = 2 \frac{\sin(\omega)}{\omega}$ ، مقدار انتگرال

$$\int_{-\infty}^{\infty} X(\omega) H(\omega) e^{j\tau\omega} d\omega$$

برابر کدام است؟



(۱) ۵

(۲)  $\frac{5}{2}$ (۳)  $5\pi$ (۴)  $\frac{5}{2}\pi$ 

۱۰۸-  $x_1(t) = e^{-\tau t} u(t-1)$  و  $y_1(t)$ ، به ترتیب، سیگنال‌های ورودی و خروجی متناظر در یک سیستم LTI هستند.

اگر  $x_2(t) = \frac{d}{dt} x_1(t)$  به عنوان ورودی به سیستم داده شود، در آن صورت خروجی متناظر،  $y_2(t)$ ، در رابطه

زیر صدق می‌کند:

$$y_2(t) = -2y_1(t) + e^{-t} u(t-2)$$

$h(t)$ ، پاسخ ضربه سیستم، برابر کدام است؟

(۱)  $e^{-t} u(t-2)$ (۲)  $e^{-t} u(t-1)$ (۳)  $e^{-(t-1)} u(t-2)$ (۴)  $e^{-(t-1)} u(t-1)$ 

۱۰۹- مقدار انتگرال زیر کدام است؟

$$I = \int_{-\infty}^{\infty} \frac{\sin^2\left(\frac{\omega}{2}\right)}{\sin^2\left(\frac{\omega}{4}\right)} d\omega$$

(۱)  $6\pi$ (۲)  $5\pi$ (۳)  $2\pi$ (۴)  $10\pi$ 

۱۱۰- در مورد سیستم LTI زمان گسسته، کدام گزینه صادق است؟

(۱) اگر پاسخ ضربه کران‌دار باشد، سیستم پایدار است.

(۲) اگر پاسخ پله کران‌دار باشد، سیستم پایدار است.

(۳) اگر سیستم پایدار باشد، پاسخ پله کران‌دار است.

(۴) اگر سیستم پایدار باشد، پاسخ ضربه می‌تواند بی‌کران شود.

۱۱۱-  $x(n)$  سیگنال متناوب با پریود  $N$  و با ضرایب سری فوریه  $a_k$  است.  $[z]$  به معنای بزرگترین عدد صحیح

کوچک‌تر یا مساوی  $z$  است. اگر  $y[n] \triangleq x\left(\left\lfloor \frac{n}{r} \right\rfloor\right)$  که در آن  $r$  عدد صحیح مثبت است تعریف شود و ضرایب

سری فوریه  $y[n]$  را  $b_k$  بنامیم، در آن صورت  $b_0$  برابر کدام است؟

(۱)  $a_0$

(۲)  $ra_0$

(۳)  $\frac{a_0}{r}$

(۴)  $a_r$

۱۱۲- رابطه ورودی و خروجی یک سیستم به صورت زیر است: ( $x[n]$  ورودی و  $y[n]$  خروجی)

$$y[n] - y[n-1] + \frac{1}{4}y[n-2] = x[n]$$

اگر  $x[n] = \left(\frac{1}{4}\right)^n u[n]$  باشد، نسبت  $\frac{y[n]}{y[n-1]}$  برابر کدام است؟

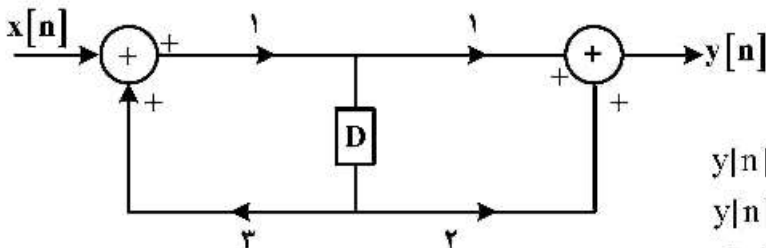
(۱)  $\frac{n}{2(n-1)}$

(۲)  $\frac{n+2}{2n}$

(۳)  $\frac{n+2}{2(n+1)}$

(۴)  $\left(\frac{n}{n-1}\right)^2$

۱۱۳- معادله تفاضلی مابین  $x[n]$  و  $y[n]$  در شکل زیر کدام است؟



(۱)  $y[n] - 2y[n-1] = x[n] + 2x[n-2]$

(۲)  $y[n] - 3y[n-1] = x[n] + 2x[n-1]$

(۳)  $y[n] - 3y[n-2] = x[n] + 2x[n-1]$

(۴)  $y[n] + 2y[n-2] = x[n] - 2x[n-1]$



۱۱۴-  $x[n]$  سیگنال متناوب با پریود ۱۰ و در یک پریود با تعریف زیر است. ضرایب سری فوریته آن با همین دوره تناوب برابر کدام است؟

$$x[n] = \begin{cases} 5 & n = 2, 8 \\ -j5 & n = 3 \\ j5 & n = 7 \\ 0 & n = 0, 1, 4, 5, 6, 9 \end{cases}$$

$$\cos\left(\frac{2k\pi}{5}\right) + \sin\left(\frac{2k\pi}{5}\right) \quad (1)$$

$$j\cos\left(\frac{2k\pi}{5}\right) + \sin\left(\frac{2k\pi}{5}\right) \quad (2)$$

$$\cos\left(\frac{2k\pi}{5}\right) - \sin\left(\frac{2k\pi}{5}\right) \quad (3)$$

$$j\cos\left(\frac{2k\pi}{5}\right) - \sin\left(\frac{2k\pi}{5}\right) \quad (4)$$

### الکترومغناطیس:

۱۱۵- ناحیه  $y > 0$  از ماده عایق با گذردهی برابر  $10\epsilon_0$  پر شده و ناحیه  $y < 0$  خلأ با گذردهی  $\epsilon_0$  است. اگر در ناحیه  $y > 0$  داشته باشیم  $\vec{D} = x\bar{a}_x - 2(y+1)\bar{a}_y + z\bar{a}_z \left(\frac{C}{m}\right)$ ، در ناحیه  $y < 0$  در نقطه  $(x=1, y=0^-, z=2)$ ،  $\vec{D}$  کدام است؟

$$\frac{1}{10}\bar{a}_x - 2\bar{a}_y + \frac{1}{5}\bar{a}_z \quad (1)$$

$$\bar{a}_x - \frac{1}{5}\bar{a}_y + 2\bar{a}_z \quad (2)$$

$$\frac{1}{10}\bar{a}_x - 2\bar{a}_y + 2\bar{a}_z \quad (3)$$

$$\bar{a}_x - 2\bar{a}_y + \frac{1}{5}\bar{a}_z \quad (4)$$

۱۱۶- یک بار نقطه‌ای به فاصله  $3a$  از مرکز کره هادی کامل به شعاع  $a$  قرار دارد. این بار نقطه‌ای یک توزیع بار سطحی  $\rho_s$  روی سطح کره القا می‌کند. حال اگر کره هادی را برداریم و همان توزیع بار سطحی  $\rho_s$  را در محل مرکز کره جایگزین نماییم، میدان الکتریکی در نقطه‌ای که وسط بار نقطه‌ای و مرکز کره (یعنی به فاصله  $\frac{3a}{2}$  از مرکز کره و از بار نقطه‌ای) قرار دارد، چه تغییری می‌کند؟

- (۱) نصف می‌شود.  
 (۲) صفر می‌شود.  
 (۳) دو برابر می‌شود.  
 (۴) تغییری نمی‌کند.

۱۱۷- نوار هادی در امتداد محور  $x$  به ابعاد  $-\frac{b}{\sqrt{2}} < y < \frac{b}{\sqrt{2}}$  در صفحه  $z=0$  جریان  $I$  را در جهت  $\vec{a}_x$  از خود عبور می‌دهد. همچنین سیم باریک و طولی در  $y=0$  و  $z=d$  جریان  $I$  را در جهت  $\vec{a}_x$  در خود حمل می‌کند. نیروی واحد طول در همان سیم باریک و طولی که توسط نوار هادی اعمال می‌شود، کدام است؟

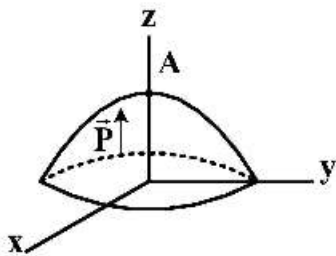
$$F_z = \frac{\mu_0 I^2}{2\pi b} \tan^{-1} \frac{b}{d} \quad (۱)$$

$$F_z = \frac{\mu_0 I^2}{\pi b} \tan^{-1} \frac{b}{2d} \quad (۲)$$

$$F_z = \frac{\mu_0 I^2}{2\pi b} \tan^{-1} \frac{b}{2d} \quad (۳)$$

$$F_z = \frac{\mu_0 I^2}{\pi b} \tan^{-1} \frac{b}{d} \quad (۴)$$

۱۱۸- یک نیمکره با شعاع « $a$ » و قطبیدگی الکتریکی  $\vec{P} = P_0 \vec{a}_z \left(\frac{C}{m}\right)$  وجود دارد. پتانسیل الکتریکی  $V$  ناشی از فقط بارهای قطبیده سطحی واقع در صفحه  $xy$  در نقطه  $A(0,0,a)$ ، کدام است؟



$$\frac{P_0 a}{2\epsilon_0} (1 - \sqrt{2}) \quad (۱)$$

$$\frac{P_0 a^2}{2\epsilon_0} (1 - \sqrt{2}) \quad (۲)$$

$$\frac{P_0 a}{2\epsilon_0} (\sqrt{2} - 1) \quad (۳)$$

$$\frac{P_0 a^2}{2\epsilon_0} (\sqrt{2} - 1) \quad (۴)$$

۱۱۹- در ناحیه  $0 \leq x \leq 1$ ،  $0 \leq y \leq 1$  و  $0 \leq z \leq 1$  شدت میدان  $\vec{E} = 2\vec{a}_x - 5\vec{a}_y$  است. این میدان توسط صفحات بارداری که در  $x = -1$  و  $x = y + 1$  قرار گرفته‌اند، ایجاد شده است. چگالی بار این صفحات کدام است؟

$$x = -1 \rightarrow \rho_s = 6\epsilon_0 \frac{C}{m^2}, \quad x = y + 1 \rightarrow \rho_s = -10\sqrt{2}\epsilon_0 \frac{C}{m^2} \quad (۱)$$

$$x = -1 \rightarrow \rho_s = -6\epsilon_0 \frac{C}{m^2}, \quad x = y + 1 \rightarrow \rho_s = -10\sqrt{2}\epsilon_0 \frac{C}{m^2} \quad (۲)$$

$$x = -1 \rightarrow \rho_s = -6\epsilon_0 \frac{C}{m^2}, \quad x = y + 1 \rightarrow \rho_s = 10\sqrt{2}\epsilon_0 \frac{C}{m^2} \quad (۳)$$

$$x = -1 \rightarrow \rho_s = 6\epsilon_0 \frac{C}{m^2}, \quad x = y + 1 \rightarrow \rho_s = 10\sqrt{2}\epsilon_0 \frac{C}{m^2} \quad (۴)$$

۱۲۰- روی سطح کره  $0 \leq \varphi \leq 2\pi$  و  $0 \leq \theta \leq \frac{\pi}{4}$  و  $r = a$  جریان الکتریکی سطحی  $k\bar{a}_\varphi \left(\frac{A}{m}\right)$  جاری است.  $\bar{m}$  گشتاور مغناطیسی ناشی از آن کدام است؟

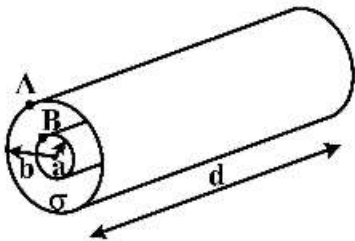
$$\bar{a}_z \frac{\pi k a^3}{\lambda} \left(1 + \frac{\sqrt{2}}{2}\right) \quad (1)$$

$$\bar{a}_z \frac{\pi k a^3}{\lambda} \left(1 - \frac{\sqrt{2}}{2}\right) \quad (2)$$

$$\bar{a}_z \frac{\pi k a^3}{\lambda} (\pi - 2) \quad (3)$$

$$\bar{a}_z \frac{\pi k a^3}{\lambda} (\pi + 2) \quad (4)$$

۱۲۱- در شکل زیر، بین دو استوانه رسانای هم محور به شعاع داخلی  $a$  و خارجی  $b$  ( $a < b$ ) و طول  $d$  ( $d \gg a, b$ ) از ماده‌ای با رسانندگی متغیر  $\sigma = \frac{k}{r^2} \left(\frac{s}{m}\right)$  پر شده است. مقاومت الکتریکی  $R$  بین نقاط  $A$  و  $B$  روی دو استوانه کدام است؟



$$\frac{1}{2\pi k d} \left(\frac{1}{a^2} - \frac{1}{b^2}\right) \quad (1)$$

$$\frac{1}{2\pi k d} (b^2 - a^2) \quad (2)$$

$$\frac{1}{\epsilon \pi k d} (b^2 - a^2) \quad (3)$$

$$\frac{1}{\epsilon \pi k d} \left(\frac{1}{a^2} - \frac{1}{b^2}\right) \quad (4)$$

۱۲۲- کره هادی با شعاع  $a = 5\text{cm}$  مفروض است. لایه‌ای دی‌الکتریک با ضریب  $\epsilon_r = 3$  با ضخامت ثابت روی کره هادی قرار می‌دهیم. در این حالت ظرفیت جدید خازن کره‌ای دو برابر ظرفیت بدون دی‌الکتریک می‌شود. ضخامت دی‌الکتریک ( $d$ ) چند سانتی‌متر است؟

$$C = 4\pi a \epsilon_0 (F) \quad \text{کره هادی}$$

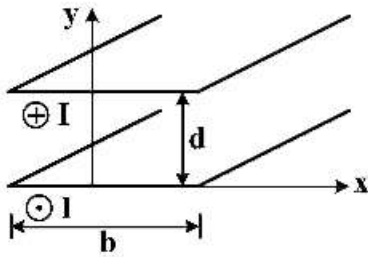
$$5 \quad (1)$$

$$10 \quad (2)$$

$$12 \quad (3)$$

$$15 \quad (4)$$

۱۲۳- خط انتقالی از دو هادی صفحه‌ای به عرض  $b$  به فاصله  $d$  از یکدیگر در هوای آزاد تشکیل شده و در هادی‌ها جریان  $\pm I$  برقرار است. اگر  $b \gg d$  باشد، نیروی وارد بر واحد طول هادی پایینی کدام است؟



$$\bar{F} = -\frac{\mu_0 I^2}{4b} \bar{a}_y \frac{N}{m} \quad (۱)$$

$$\bar{F} = -\frac{\mu_0 I^2}{2b} \bar{a}_y \frac{N}{m} \quad (۲)$$

$$\bar{F} = \frac{\mu_0 I^2}{2b} \bar{a}_y \frac{N}{m} \quad (۳)$$

$$\bar{F} = \frac{\mu_0 I^2}{4b} \bar{a}_y \frac{N}{m} \quad (۴)$$

۱۲۴- خازن صفحه‌ای با صفحات  $S = 10 \text{ cm}^2$  و فاصله بین صفحات  $d = 10 \text{ mm}$  مفروض است. بین صفحات دی‌الکتریکی ناهمگن که ضریب گذردهی نسبی آن به‌طور خطی از ۱ تا ۱۱ بین صفحات پُر شده است؛ میزان ظرفیت خازن کدام است؟ (از اثرات لبه‌ای صرف‌نظر کنید)

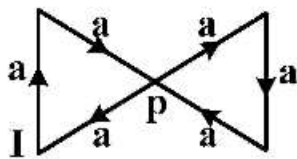
$$C = \frac{\epsilon_0}{\ln 22} F \quad (۱)$$

$$C = \frac{2\epsilon_0}{\ln 11} F \quad (۲)$$

$$C = \frac{\epsilon_0}{\ln 11} F \quad (۳)$$

$$C = \frac{2\epsilon_0}{\ln 22} F \quad (۴)$$

۱۲۵- در شکل زیر جریان الکتریکی  $I$  روی مسیر جاری است. اندازه  $\vec{H}$  شدت میدان مغناطیسی در نقطه  $P$  کدام است؟



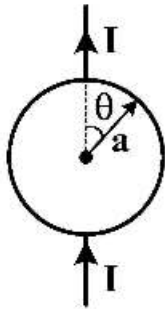
$$\frac{2I}{\pi a \sqrt{2}} \quad (۱)$$

$$\frac{2I}{\pi a \sqrt{3}} \quad (۲)$$

$$\frac{2I}{\pi a \sqrt{3}} \quad (۳)$$

$$\frac{I}{\pi a \sqrt{3}} \quad (۴)$$

۱۲۶- مطابق شکل زیر، جریان دائم «I» در یک سیم بلند در راستای  $\bar{a}_z$ ، از یک نقطه وارد یک پوسته کروی به مرکز مبدأ مختصات و شعاع «a» می‌شود و جریان از نقطه مقابل روی پوسته کروی توسط سیم بلند دیگری خارج می‌شود. بردار چگالی جریان سطحی « $\bar{J}_s$ » روی پوسته کروی کدام است؟



$$\bar{J}_s = \frac{-I}{2\pi a \sin \theta} \bar{a}_\theta \quad (1)$$

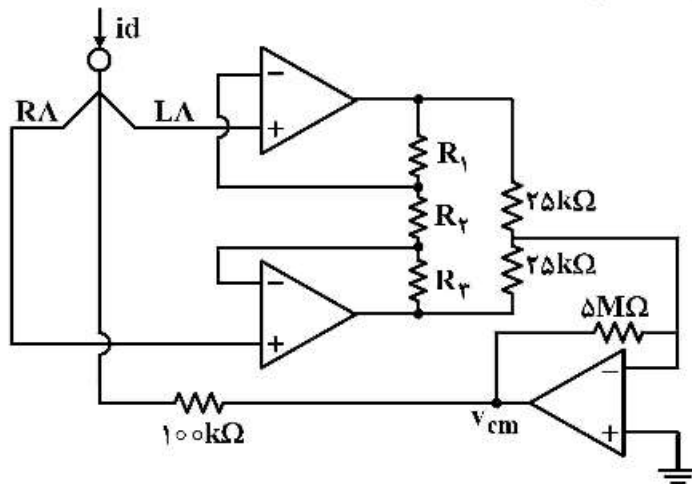
$$\bar{J}_s = \frac{I}{2\pi a \sin \theta} \bar{a}_\theta \quad (2)$$

$$\bar{J}_s = \frac{I}{2\pi a \cos \theta} \bar{a}_\theta \quad (3)$$

$$\bar{J}_s = \frac{-I}{2\pi a \cos \theta} \bar{a}_\theta \quad (4)$$

مقدمه‌ای بر مهندسی پزشکی:

۱۲۷- در مدار زیر اگر  $i_d = 0.2 \mu A$  باشد، ولتاژ  $v_{cm}$  چند میلی ولت است؟



۱۰ (۱)

۱۲ (۲)

۱۵ (۳)

۲۰ (۴)

۱۲۸- در یک مدار اندازه‌گیری ECG مقاومت ورودی تقویت‌کننده  $4M\Omega$  و خازن معادل ورودی تقویت‌کننده  $10nF$  است. اگر مقاومت معادل هر الکتروود  $10k\Omega$  و خازن معادل آن‌ها  $1nF$  باشد، فرکانس قطع  $3dB$  تقویت‌کننده ECG چند هرتز است؟

۸٫۵ (۱)

۷٫۲ (۲)

۶٫۵ (۳)

۴ (۴)

۱۲۹- یک سنسور خازنی با سطح مقطع  $1cm^2$  برای اندازه‌گیری سیگنال صوتی به کار رفته است. اگر مقاومت ورودی تقویت‌کننده‌ای که این سنسور خازنی به آن وصل شده،  $100M\Omega$  باشد، فاصله صفحات خازن برای عبور

فرکانس‌های بیش از  $20Hz$  چند میلی‌متر است؟  $\epsilon = 8.85 \times 10^{-12}$

۱٫۱ (۲)

۰٫۹۵ (۱)

۲٫۲ (۴)

۲٫۱ (۳)

۱۳۰- در مورد آرتیفکت حرکتی، گزینه نادرست کدام است؟

- ۱) در الکترودهای پلاریزه حرکت مکانیکی منجر به تغییر توزیع بار در الکتروود - الکتروولیت می‌شود.
- ۲) در الکترودهای غیرپلاریزه شونده حرکت مکانیکی منجر به تغییر میزان اتصال ژل و پوست می‌شود.
- ۳) آرتیفکت حرکتی ناشی از تغییر لحظه‌ای در پتانسیل نیم‌پیل است.
- ۴) آرتیفکت حرکتی، ناشی از تغییر لحظه‌ای امپدانس پوست است.

۱۳۱- یک فشارسنج، فشار خون معلوم ۱۰۰ میلی‌متر جیوه را در دفعات مختلف ۱۰۴، ۱۰۲، ۱۰۵، ۱۰۳ و ۱۰۵ میلی‌متر جیوه اندازه‌گیری کرده است. دقت و قابلیت تکرار آن به ترتیب چند درصد است؟

- ۱) ۵، ۱
- ۲) ۱۰، ۵
- ۳) ۱۰، ۵
- ۴) ۵، ۱۰

۱۳۲- طبق استاندارد ۲۰-۱۰ در ثبت EEG، اعداد فرد نشان‌دهنده کدام قسمت مغز هستند؟

- |         |        |       |         |
|---------|--------|-------|---------|
| ۱) بالا | ۲) جلو | ۳) چپ | ۴) راست |
|---------|--------|-------|---------|

۱۳۳- برای ساختن LVDT چه تعداد سیم‌پیچ لازم است؟

- |      |      |      |      |
|------|------|------|------|
| ۱) ۱ | ۲) ۲ | ۳) ۳ | ۴) ۴ |
|------|------|------|------|

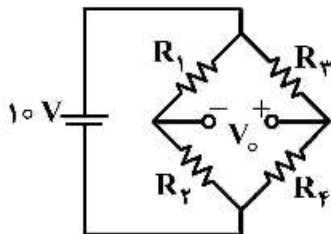
۱۳۴- عامل ایجاد اثر پیزو الکتریک، چیست؟

- |                        |                            |
|------------------------|----------------------------|
| ۱) فشار روی یک کریستال | ۲) گرما با فلزات غیرهم‌جنس |
| ۳) میدان الکتریکی      | ۴) میدان مغناطیسی          |

۱۳۵- کدام یک از موارد زیر صحیح نیست؟

- ۱) تقویت‌کننده‌های مورد استفاده در ثبت EEG گین بالا دارند.
- ۲) مقدار CMRR پیش تقویت‌کننده باید بزرگ باشد.
- ۳) ژل الکتروودها، امپدانس تماس را افزایش می‌دهد.
- ۴) ایزولاسیون شامل منابع ولتاژ و زمین متفاوت است.

۱۳۶- چهار استرین گیج مطابق شکل زیر در پل وتستون قرار داده شده‌اند. زمانی که هیچ نیرویی اعمال نمی‌شود، پل در حالت تعادل است. فرض کنید نیرو طوری اعمال شود که  $R_1$  و  $R_4$  کشیده و  $R_2$  و  $R_3$  فشرده شوند، اگر مقاومت اولیه هر کدام  $200\Omega$  و تغییر در هر مقاومت  $10\Omega$  باشد، خروجی چند ولت است؟



- ۱) ۱
- ۲) -۱
- ۳) ۰٫۵
- ۴) -۰٫۵

۱۳۷- پتانسیل استراحت سلولی با نفوذپذیری یکسان به  $Na^+$ ،  $K^+$  و  $Cl^-$  و همچنین بار خالص خنثی در هر دو محیط داخل و خارج سلول، چند میلی‌ولت است؟

- ۱) +۸۰
- ۲) +۱۰
- ۳) ۰
- ۴) -۲۰

۱۳۸- یک مبدل مقاومتی الاستیک به طول ۰/۱ متر و سطح مقطع  $1/96 \times 10^{-5} \text{ m}^2$  دارای مقاومت  $1 \text{ k}\Omega$  است. مقاومت مبدل بعد از این که اطراف سینه بیمار به محیط ۱/۲ متر پیچیده می شود، چند کیلو اهم است؟ فرض کنید سطح مقطع مبدل تغییر نمی کند.

$$\frac{1}{12} \quad (1)$$

$$\frac{1}{1/2} \quad (2)$$

$$1/2 \quad (3)$$

$$12 \quad (4)$$





## مشاهده کلید اولیه سوالات آزمون کارشناسی ارشد 1399

## کلید اولیه آزمون کارشناسی ارشد سال 1399

به اطلاع می‌رساند، کلید اولیه سوالات که در این سایت قرار گرفته است، غیر قابل استناد است و پس از دریافت نظرات داوطلبان و صاحب نظران کلید نهایی سوالات تهیه و بر اساس آن کارنامه داوطلبان استخراج خواهد شد. در صورت تمایل می‌توانید حداکثر تا تاریخ 1399/05/22 با مراجعه به سامانه پاسخگویی اینترنتی (request.sanjesh.org) نسبت به تکمیل فرم "اعتراض به کلید سوالات"/"آزمون کارشناسی ارشد سال 1399" اقدام نمایید. لازم به ذکر است نظرات داوطلبان فقط تا تاریخ مذکور و از طریق فرم ذکر شده دریافت خواهد شد و به موارد ارسالی از طریق دیگر (نامه مکتوب یا فرم عمومی در سامانه پاسخگویی و ...) یا پس از تاریخ اعلام شده رسیدگی نخواهد شد.

| عنوان دفترچه      | نوع دفترچه | گروه امتحانی |
|-------------------|------------|--------------|
| مجموعه مهندسی برق | B          | فنی و مهندسی |

| گزینه صحیح | شماره سوال | گزینه صحیح | شماره سوال | گزینه صحیح | شماره سوال | گزینه صحیح | شماره سوال | گزینه صحیح | شماره سوال | گزینه صحیح | شماره سوال |
|------------|------------|------------|------------|------------|------------|------------|------------|------------|------------|------------|------------|
| سفید       | 151        | 3          | 121        | 4          | 91         | 3          | 61         | 4          | 1          | 4          | 31         |
| سفید       | 152        | 4          | 122        | 2          | 92         | 4          | 62         | 1          | 2          | 1          | 32         |
| سفید       | 153        | 2          | 123        | 1          | 93         | 3          | 63         | 3          | 3          | 2          | 33         |
| سفید       | 154        | 3          | 124        | 3          | 94         | 1          | 64         | 4          | 4          | 3          | 34         |
| سفید       | 155        | 4          | 125        | 4          | 95         | 2          | 65         | 1          | 5          | 3          | 35         |
| سفید       | 156        | 1          | 126        | 2          | 96         | 4          | 66         | 2          | 6          | 4          | 36         |
| سفید       | 157        | 4          | 127        | 1          | 97         | 2          | 67         | 4          | 7          | 1          | 37         |
| سفید       | 158        | 4          | 128        | 3          | 98         | 2          | 68         | 1          | 8          | 2          | 38         |
| سفید       | 159        | 2          | 129        | 3          | 99         | 1          | 69         | 3          | 9          | 4          | 39         |
| سفید       | 160        | 4          | 130        | 4          | 100        | 3          | 70         | 2          | 10         | 3          | 40         |
| سفید       | 161        | 2          | 131        | 2          | 101        | 1          | 71         | 4          | 11         | 2          | 41         |
| سفید       | 162        | 3          | 132        | 1          | 102        | 4          | 72         | 2          | 12         | 1          | 42         |
| سفید       | 163        | 1          | 133        | 2          | 103        | 1          | 73         | 3          | 13         | 4          | 43         |
| سفید       | 164        | 2          | 134        | 4          | 104        | 4          | 74         | 3          | 14         | 2          | 44         |
| سفید       | 165        | 3          | 135        | 3          | 105        | 2          | 75         | 4          | 15         | 4          | 45         |
| سفید       | 166        | 1          | 136        | 1          | 106        | 3          | 76         | 1          | 16         | 3          | 46         |
| سفید       | 167        | 1          | 137        | 3          | 107        | 2          | 77         | 4          | 17         | 4          | 47         |
| سفید       | 168        | 3          | 138        | 4          | 108        | 3          | 78         | 1          | 18         | 4          | 48         |
| سفید       | 169        | سفید       | 139        | 4          | 109        | 3          | 79         | 3          | 19         | 1          | 49         |
| سفید       | 170        | سفید       | 140        | 3          | 110        | 2          | 80         | 4          | 20         | 3          | 50         |
| سفید       | 171        | سفید       | 141        | 1          | 111        | 4          | 81         | 2          | 21         | 4          | 51         |
| سفید       | 172        | سفید       | 142        | 2          | 112        | 1          | 82         | 3          | 22         | 2          | 52         |
| سفید       | 173        | سفید       | 143        | 2          | 113        | 4          | 83         | 4          | 23         | 3          | 53         |
| سفید       | 174        | سفید       | 144        | 1          | 114        | 2          | 84         | 1          | 24         | 1          | 54         |
| سفید       | 175        | سفید       | 145        | 1          | 115        | 4          | 85         | 2          | 25         | 2          | 55         |
| سفید       | 176        | سفید       | 146        | 4          | 116        | 3          | 86         | 4          | 26         | 2          | 56         |
| سفید       | 177        | سفید       | 147        | 2          | 117        | 2          | 87         | 1          | 27         | 4          | 57         |
| سفید       | 178        | سفید       | 148        | 1          | 118        | 4          | 88         | 3          | 28         | 1          | 58         |
| سفید       | 179        | سفید       | 149        | 2          | 119        | 2          | 89         | 4          | 29         | 3          | 59         |
| سفید       | 180        | سفید       | 150        | 3          | 120        | 1          | 90         | 1          | 30         | 2          | 60         |
| سفید       | 301        | سفید       | 301        | سفید       | 271        | سفید       | 241        | سفید       | 181        | سفید       | 211        |
| سفید       | 302        | سفید       | 302        | سفید       | 272        | سفید       | 242        | سفید       | 182        | سفید       | 212        |
| سفید       | 303        | سفید       | 303        | سفید       | 273        | سفید       | 243        | سفید       | 183        | سفید       | 213        |
| سفید       | 304        | سفید       | 304        | سفید       | 274        | سفید       | 244        | سفید       | 184        | سفید       | 214        |
| سفید       | 305        | سفید       | 305        | سفید       | 275        | سفید       | 245        | سفید       | 185        | سفید       | 215        |
| سفید       | 306        | سفید       | 306        | سفید       | 276        | سفید       | 246        | سفید       | 186        | سفید       | 216        |
| سفید       | 307        | سفید       | 307        | سفید       | 277        | سفید       | 247        | سفید       | 187        | سفید       | 217        |
| سفید       | 308        | سفید       | 308        | سفید       | 278        | سفید       | 248        | سفید       | 188        | سفید       | 218        |