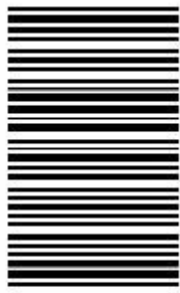


کد کنترل

244

A



244A

نام:

نام خانوادگی:

محل امضا:

عصر پنجشنبه

۹۶/۲/۷



«اگر دانشگاه اصلاح شود مملکت اصلاح می‌شود.»

امام خمینی (ره)

جمهوری اسلامی ایران
وزارت علوم، تحقیقات و فناوری
سازمان سنجش آموزش کشور

آزمون ورودی دوره‌های کارشناسی ارشد ناپیوسته داخل - سال ۱۳۹۶

نانوفناوری - نانومواد - کد ۱۲۷۳

مدت پاسخگویی: ۱۸۰ دقیقه

تعداد سؤال: ۱۴۵

عنوان مواد امتحانی، تعداد و شماره سؤالات

ردیف	مواد امتحانی	تعداد سؤال	از شماره	تا شماره
۱	زبان عمومی و تخصصی (انگلیسی)	۳۰	۱	۳۰
۲	ریاضیات مهندسی	۱۵	۳۱	۴۵
۳	شیمی کاربردی (اصول محاسبات شیمی صنعتی، شیمی صنعتی I و II، اصول تصفیه آب و پساب‌های صنعتی، خوردگی فلزات)	۲۰	۴۶	۶۵
۴	فیزیک جدید	۲۰	۶۶	۸۵
۵	خواص فیزیکی و مکانیکی مواد	۲۰	۸۶	۱۰۵
۶	پدیده‌های انتقال (انتقال جرم، مکانیک سیالات، انتقال حرارت)	۲۰	۱۰۶	۱۲۵
۷	الکترونیک (۱ و ۲) و الکترومغناطیس مهندسی	۲۰	۱۲۶	۱۴۵

این آزمون نمره منفی دارد.

استفاده از ماشین حساب مجاز نیست.

حق چاپ، تکثیر و انتشار سؤالات به هر روش الکترونیکی و ... پس از برگزاری آزمون برای تمامی اشخاص حقیقی و حقوقی تنها با مجوز این سازمان مجاز می‌باشد و با متخلفین برابر مقررات رفتار می‌شود.

PART A: Vocabulary

Directions: Choose the word or phrase (1), (2), (3), or (4) that best completes the blank. Then mark the correct choice on your answer sheet.

- 1- By signing these papers, I agree to not ----- any of my company's financial records to anyone outside of my firm.
1) authorize 2) articulate 3) divulge 4) victimize
- 2- Without an antidote to treat the patient, the poisonous snakebite would prove -----.
1) vulnerable 2) fatal 3) massive 4) extreme
- 3- Stifling a yawn, Jackie covered her mouth as she listened to one of her mother's ----- stories about her childhood.
1) interminable 2) credible 3) widespread 4) literal
- 4- After learning the lawyer accepted a bribe, the committee decided to ----- him and suspend his license.
1) encounter 2) retaliate 3) underestimate 4) rebuke
- 5- The government will ----- any property that has been purchased with money earned through illegal means.
1) resist 2) seize 3) eliminate 4) avoid
- 6- Now that I have got another offer of employment, which sounds as good as the earlier one, I am in a ----- as to which one to choose.
1) necessity 2) comparison 3) postponement 4) dilemma
- 7- Since there is a huge ----- between the results of the first and second experiment, the laboratory team will conduct a third test.
1) discrepancy 2) autonomy 3) randomness 4) opposition
- 8- To get a good grade on the research project, you must ----- your report with provable facts.
1) inform 2) outline 3) substantiate 4) interfere
- 9- We thought that the power cuts were temporary and would end but we have now realized that this is a ----- problem and will never end.
1) chaotic 2) perennial 3) fragile 4) memorable
- 10- If a ----- answer can provide the information requested, there is no reason to bore a person with a long response.
1) boundless 2) conceptual 3) concise 4) logical

PART B: Cloze Passage

Directions: Read the following passage and decide which choice (1), (2), (3), or (4) best fits each space. Then mark the correct choice on your answer sheet.

It is very easy to lead someone's memory astray. For example, if I witness a traffic accident and (11) ----- whether the car stopped before or after the tree, I am much more likely to "insert" a tree into my memory of the scene, (12) ----- no tree was actually present. This occurrence reflects the fact that when we retrieve a memory, we also re-encode it and during that process it is (13) ----- errors.

Elizabeth Loftus at the University of California, Irvine, and colleagues have shown that this “misinformation effect” can have huge implications for the court room, with experiments (14) ----- that eyewitness testimonies can be adversely influenced by misleading questioning. Fortunately, these findings also suggest ways for police, lawyers and judges to frame the questions (15) ----- they ask in a way that makes reliable answers more likely.

- 11- 1) I am later asked 2) later asking 3) to be asked later 4) later asked
 12- 1) even then 2) so even 3) as if even 4) even if
 13- 1) a possibility implanting 2) possible to implant
 3) possibly to implant 4) possibility of implanting
 14- 1) are repeatedly demonstrated 2) repeatedly demonstrating
 3) that are demonstrated repeatedly 4) to demonstrate repeatedly
 15- 1) that 2) when 3) because 4) even though

PART C: Reading Comprehension:

Directions: Read the following three passages and answer the questions by choosing the best choice (1), (2), (3), or (4). Then mark the correct choice on your answer sheet.

PASSAGE 1:

Applications of gold nanoparticles (NPs) are notable in biomedical research - their enhanced absorption and scattering compared with bulk gold make NPs useful in photo thermal cancer therapy. Incidentally, this light scattering property was exploited (although not understood) by medieval artisans, who added gold chloride to molten glass to create ruby-red stained glass.

In 2011, researchers found in rat models that the localised accumulation of gold NPs administered to a patient could help to quickly diagnose cancers, Alzheimer's and Parkinson's disease. But functionalizing NPs, which can be several nanometers in diameter, presents its own challenges. Chemists are developing a method to create clusters ranging from a few particles to crystals made of millions of NPs, while controlling their shape.

Synthetic DNA strands which are programmed to pair with other strands in certain patterns, can be attached to gold particle surfaces to create a variety of assemblies, but the expense of creating such intricate hybrid nanostructures limits their potential. Researchers are now aiming to lower this cost with the “nanoparticle equivalent of a printing press”.

In much the same way that atoms combine to form complex molecules, patterned DNA gold particles can connect to neighbouring particles to form well- defined NP assemblies. The key to assembling these is to create a DNA structure with a specific pattern of strands to which gold nanoparticles can adhere. This assembly is then dissolved in distilled water, leaving behind an imprint or the DNA on the restructured NPs.

These encoded gold NPs are unprecedented in their information content. The DNA nanostructures, for their part, can be re-used, much like stamps in an old printing press. Importantly, the NPs produced exhibit the site-specific addressability of DNA nanostructures. The patterns of the strands could be engineered, for example, to target specific proteins to selectively detect or destroy cancer cells.

The widely established applications of gold NPs include conductive inks, electronic chips, sensors and chemical catalysts, but their potential, it seems, is yet to be fully realized. Increased ease of their use as indicators of gold deposits could accelerate that development.

- 16- Which application did medieval artisans use gold for?
- 1) Producing red rubies
 - 2) Producing gold chloride
 - 3) Producing coloured glass
 - 4) Producing stains on glass
- 17- Which application is more likely to encourage researchers and investors to further develop gold NPs?
- 1) Detection of gold mines
 - 2) Realizing their potential
 - 3) Increased ease of their use
 - 4) Conductive inks, electronic chips, sensors and chemical catalysts
- 18- Which property in encoded gold NPs enables them to target cancerous cells?
- 1) Unprecedented information content
 - 2) Site-specific addressability
 - 3) Ability to be engineered
 - 4) Specific proteins
- 19- Which feature is essential in DNA structures that are used in producing patterned DNA gold particles?
- 1) Ability, to dissolve distilled water
 - 2) Ability to adhere to gold particles
 - 3) Ability to form complex molecules
 - 4) Ability to connect to neighbouring particles to form well defined NP assemblies
- 20- What is currently the main obstacle in developing synthetic DNA strands?
- 1) Suitable programme to pair with other strands.
 - 2) Attaching strand to gold particles.
 - 3) Intricate hybrid nanostructures.
 - 4) Costs.

PASSAGE 2:

The atoms of pure metal in the liquid state are held together by weak forces of attraction and are arranged in a random manner. The atoms may move, the liquid metal flows easily taking the shape of the container, and lacks continuity or coherence. When the pure metal is allowed to cool from the liquid state back to the solid form, the change of state occurs at a fixed temperature known as the freezing point and the process is called solidification. If the temperature of the metal is recorded at various times during the cooling process, a cooling curve may be obtained. At the freezing point the temperature of the metal remains constant whilst solidification occurs. No heat is being supplied externally to the metal and, to maintain the constant temperature, heat must be given off by the metal. The heat given off by a metal during a change in state is called latent heat. Therefore, when a metal is cooled, the solid state

is at a lower energy level than the liquid state and the atoms possess less energy for possible movement and flow. During solidification, the atoms arrange themselves in an ordered regular manner. This regularity, coupled with the formation of the strong bonding forces, which hold the atoms together, produces strength in a solid metal.

- 21- **Weak forces of attraction are responsible for -----.**
- 1) existence of the liquid state.
 - 2) random arrangement of the atoms in the liquid state
 - 3) the bonds between the atoms in the solid state
 - 4) the manner in which the atoms are arranged in the solid state
- 22- **A cooling curve is obtained by -----.**
- 1) recording the temperature during solidification
 - 2) recording the heat given off during a change in state
 - 3) recording the change of state at various fixed temperatures
 - 4) recording the fall and rise in the temperature against time during cooling
- 23- **What do atoms do during solidification?**
- 1) They arrange themselves in a well defined random manner.
 - 2) They surmount the weak forces of attraction and move closer together.
 - 3) Each atom takes up a place next to its neighbouring atoms in a regular non-random manner.
 - 4) They lower their energy so that they can move more easily in an ordered regular manner.
- 24- **Why do liquids take the shape of the container?**
- 1) Because the atoms may move
 - 2) Because liquid metals are weak
 - 3) Because the atoms are not coherent
 - 4) Because the atoms are not continuous
- 25- **How is the strength of a solid metal achieved?**
- 1) By maintaining a near equilibrium condition during cooling
 - 2) By pronounced undercooling which ensures a random arrangement of atoms.
 - 3) By slow cooling during solidification which produces a better arrangement of atoms
 - 4) By the presence of strong attraction forces accompanied by regular arrangement of atoms

PASSAG 3:

Bone is a natural material, synthesized by all living vertebrates to form skeletal structures that support and protect the body's organs. It is a composite material, combining an inorganic component (70%) and an organic component (30%) to form a strong, lightweight and hard tissue. The inorganic part is mineral calcium hydroxyapatite, which provides compression strength and rigidity, and the organic part is comprised mainly of collagen - an elastic protein that provides pliancy and overall fracture resistance. Synergistically, the composite has a high compressive strength of 179MPa, with good elasticity.

Bone is produced by cells called osteoblasts. These cells secrete collagen fibers and ground substance - an amorphous, gel-like material. The collagen fibres quickly polymerise to form collagen strands, onto which calcium and phosphate precipitate, eventually forming hydroxyapatite crystals over a period of days to weeks.

The particular arrangement of the collagen fibers determines the mechanical strength of the bone - haphazardly organized fibres in woven bone give a mechanically weak material, although its advantage is that it can be produced quickly. Woven bone is subsequently

replaced by lamellar bone, as parallel sheets of collagen form much stronger materials at a rate of 1-2 micrometers a day. The strength of lamellar bone comes from its plywood-like structure - collagen fibres run in opposite directions in alternate layers, providing torsional robustness.

There are two different structures that make up the macroscopic bone assembly. Cortical bone constitutes the outer layer - hard, smooth and white. It consists of many microscopic columns housing osteoblasts (which make bone) and osteocytes (which reabsorb bone). The interior of bone is made of cancellous bone. It is an open cell porous network, which makes a spongy mass in which bone marrow and stem cells exist, producing platelets, red blood cells and white blood cells.

- 26- **Which material is responsible for compression strength of bone?**
 1) Collagen
 2) Composite material
 3) Calcium hydroxyapatite
 4) The organic component
- 27- **How do osteoblasts produce bone?**
 1) They collect collagen strands.
 2) They produce collagen fibres.
 3) They secrete ground substance.
 4) They precipitate calcium hydroxyapatite.
- 28- **What does the structure of woven bone look like?**
 1) Parallel sheets of collagen
 2) Fibres running in opposite directions
 3) Arrays of randomly packed fibres
 4) Haphazardly and orderly packed fibres
- 29- **Which section of bone provides robustness and strength?**
 1) Cortical bone
 2) Plywood structure
 3) Cancellous bone
 4) Bone marrow and stem cells
- 30- **Where can bone be reabsorbed?**
 1) In the interior bone
 2) On the outer layer of bone
 3) In microscopic columns housing
 4) By storing minerals and heavy metals

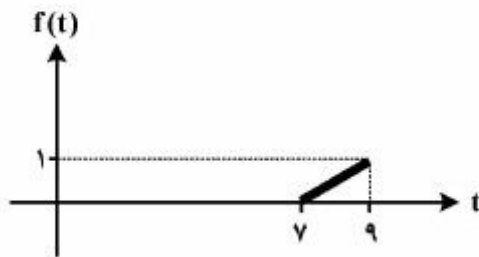
ریاضیات مهندسی:

۳۱- اگر تبدیل فوریه سینوسی $f(t) = \frac{2t}{(t^2+1)^2}$ برابر $\sqrt{\frac{\pi}{2}}we^{-w}$ باشد، تبدیل فوریه کسینوسی $g(t) = \frac{1}{t^2+1}$

کدام است؟

- (۱) $\sqrt{\frac{\pi}{2}}e^{-w}$
 (۲) $\sqrt{\frac{2w}{\pi}}e^{-w}$
 (۳) $-\sqrt{\frac{\pi}{2}}e^{-w}$
 (۴) $-\sqrt{\frac{2w}{\pi}}e^{-w}$

۳۲- در شکل زیر، تابع $f(t)$ فقط در یک دوره تناوب رسم شده است. ضرایب سری فوریه این تابع کدام است؟



$$b_n = \frac{(-1)^n}{n^2 \pi^2}, a_n = \frac{-1}{n^2 \pi^2}, a_0 = 1 \quad (1)$$

$$b_n = \frac{(-1)^{n+1}}{n\pi}, a_n = 0, a_0 = 1 \quad (2)$$

$$b_n = \frac{1}{n^2 \pi^2}, a_n = 0, a_0 = 1 \quad (3)$$

$$b_n = \frac{(-1)^n}{n\pi}, a_n = \frac{1}{n\pi}, a_0 = 1 \quad (4)$$

۳۳- جواب مسئله دیفرانسیل با مشتقات جزئی زیر، کدام است؟

$$u_{tt} - u_{xx} = 0, \quad 0 < x < \pi, t > 0$$

$$u(0, t) = u(\pi, t) = 0, \quad t \geq 0$$

$$u_t(x, 0) = k \sin \nu x - \frac{k}{\nu} \sin \epsilon x, \quad 0 \leq x \leq \pi,$$

$$u(x, 0) = 0, \quad 0 \leq x \leq \pi$$

$$u(x, t) = -\frac{k}{12} \sinh \epsilon t \sin \epsilon x + \frac{k}{3} \sinh \nu t \sin \nu x \quad (1)$$

$$u(x, t) = \frac{k}{12} \sin \nu t \sin \epsilon x - \frac{k}{3} \sin \epsilon t \sinh \nu x \quad (2)$$

$$u(x, t) = \frac{k}{3} \sin \nu t \sin \nu x - \frac{k}{12} \sin \epsilon t \sin \epsilon x \quad (3)$$

$$u(x, t) = \frac{k}{6} \sinh \epsilon t \sin \nu x - \frac{k}{12} \sinh \epsilon t \sin \epsilon x \quad (4)$$

۳۴- جواب پایدار (مانا) معادله حرارت $u_t = u_{xx} - u$ برای یک میله همگن به طول واحد ($0 \leq x \leq 1$) که در شرایط

$$u(0, t) = 0 \quad \text{و} \quad u(1, t) = \frac{e^{\nu} - 1}{e}$$

$$\nu \sinh x \quad (1)$$

$$\sinh \nu x \quad (2)$$

$$\nu \cosh x \quad (3)$$

$$\cosh \nu x \quad (4)$$

۳۵- جواب معادله لاپلاس $u_{xx} + u_{yy} = 0$ درون دایره قطبی $r = a$ و با شرط مرزی $u(a, \theta) = \cos \Delta \theta - 1$ کدام است؟

$$\left(\frac{r}{a}\right)^{\Delta} \sin \Delta \theta - 1 \quad (1)$$

$$\left(\frac{r}{a}\right)^{\Delta} \cos \Delta \theta - 1 \quad (2)$$

$$\left(\frac{a}{r}\right)^{\Delta} \cos \Delta \theta - 1 \quad (3)$$

$$\left(\frac{a}{r}\right)^{\Delta} \sin \Delta \theta - 1 \quad (4)$$

۳۶- خطوط $x=1$ و $y=1$ توسط نگاشت $w = \frac{1}{z}$ به ترتیب بر روی کدام دایره‌ها نگاشته می‌شود؟

(۱) دایره‌ای به مرکز $(0, \frac{1}{4})$ و شعاع $\frac{1}{4}$ ، دایره‌ای به مرکز $(0, -\frac{1}{4})$ و شعاع $\frac{1}{4}$

(۲) دایره‌ای به مرکز $(\frac{1}{4}, 0)$ و شعاع $\frac{1}{4}$ ، دایره‌ای به مرکز $(0, \frac{1}{4})$ و شعاع $\frac{1}{4}$

(۳) دایره‌ای به مرکز $(-\frac{1}{4}, 0)$ و شعاع $\frac{1}{4}$ ، دایره‌ای به مرکز $(\frac{1}{4}, 0)$ و شعاع $\frac{1}{4}$

(۴) دایره‌ای به مرکز $(\frac{1}{4}, 0)$ و شعاع $\frac{1}{4}$ ، دایره‌ای به مرکز $(0, -\frac{1}{4})$ و شعاع $\frac{1}{4}$

۳۷- اگر C دایره‌ای به مرکز $(-\frac{\pi}{4}, 0)$ و با شعاع $\frac{\pi}{4}$ در جهت ساعت‌گرد باشد، آنگاه مقدار انتگرال مختلط

$$\oint_C e^z \tan z \, dz$$

کدام است؟

(۱) $-\pi i e^{-\frac{\pi}{2}}$

(۲) $-2\pi i e^{-\frac{\pi}{2}}$

(۳) $2\pi i e^{-\frac{\pi}{2}}$

(۴) $\pi i e^{-\frac{\pi}{2}}$

۳۸- مانده تابع $f(z) = \frac{e^z}{(z+1)^2(z-2)}$ در نقطه تکین $z_0 = -1$ کدام است؟

(۱) $-\frac{17}{54}$

(۲) $-\frac{17}{54e}$

(۳) $\frac{17}{54}$

(۴) $\frac{17}{54e}$

۳۹- اگر $v(x, y) = e^y \sin x$ مزدوج همساز $u(x, y) = e^y \sin x$ باشد، تابع تحلیلی متناظر $f(z)$ کدام است؟

(۱) $e^{iz} + 1$

(۲) $e^{-iz} + 1$

(۳) $ie^{-iz} - i$

(۴) $ie^{iz} - i$

۴۰- مقدار اصلی $(-1 + \sqrt{3}i)^{\frac{2}{3}}$ کدام است؟

(۱) $2\sqrt{2}$

(۲) $-2\sqrt{2}$

(۳) $-\sqrt{2}$

(۴) $\sqrt{2}$

۴۱- ضریب z در بسط سری لوران تابع $\frac{1}{z^2 \sinh z}$ حول مبدأ مختصات، کدام است؟

(۱) $\frac{7}{240}$

(۲) $\frac{7}{360}$

(۳) $-\frac{7}{240}$

(۴) $-\frac{7}{360}$

۴۲- یک جواب عمومی معادله دیفرانسیل جزئی $u_{xy} + 2u_y = x$ کدام است؟

(۱) $u(x, y) = f(x)e^{-2y} + \frac{1}{4}(2x+1)y + g(x)$

(۲) $u(x, y) = f(x)e^{-2y} + \frac{1}{4}(2x-1)y + g(x)$

(۳) $u(x, y) = f(y)e^{-2x} + \frac{1}{4}(2x-1)y + g(x)$

(۴) $u(x, y) = f(y)e^{-2x} + \frac{1}{4}(2x+1)y + g(x)$

۴۳- صورت کلی جواب مسئله انتقال حرارت یکبعدی $u_t - u_{xx} = 0$ با شرایط مرزی و اولیه زیر در دامنه $D = \{(x, t) \mid 0 < x < 1, t > 0\}$ کدام است؟

$u_x(0, t) = u_x(1, t) = 0, t \geq 0$

$u(x, 0) = f(x), 0 \leq x \leq 1$

(۱) $u(x, t) = A_0 + \sum_{n=1}^{\infty} A_n \cos(n\pi x) e^{-n^2 \pi^2 t}$

(۲) $u(x, t) = A_0 + \sum_{n=1}^{\infty} A_n \cos(n\pi x) e^{n^2 \pi^2 t}$

(۳) $u(x, t) = \sum_{n=1}^{\infty} B_n \sin(n\pi x) e^{n^2 \pi^2 t}$

(۴) $u(x, t) = \sum_{n=1}^{\infty} B_n \sin(n\pi x) e^{-n^2 \pi^2 t}$

۴۴- اگر $u(x, t)$ جواب مسئله باشد، آنگاه مقدار $u(1, 2)$ کدام است؟

$$\begin{cases} u_{xx} - u_{tt} = 0, & 0 < x < \pi, t > 0 \\ u(x, 0) = -x + \sin \frac{\pi}{2} x, \\ u_t(x, 0) = 4, & 0 \leq x \leq \pi \\ u(0, t) = u(\pi, t) = 0 & t \geq 0 \end{cases}$$

(۱) -۲

(۲) ۲

(۳) -۱

(۴) ۱

۴۵- اگر $f(x) = \int_0^{\infty} \frac{1 + \cos \pi \omega}{1 - \omega^2} \cos \omega x d\omega$ ، آنگاه مقدار $\int_0^{\infty} f(x) \sin^2 \frac{x}{4} dx$ کدام است؟

(۱) $-\frac{\pi}{6}$ (۲) $\frac{\pi}{3}$ (۳) $-\frac{\pi}{3}$ (۴) $\frac{\pi}{6}$

شیمی کاربردی (اصول محاسبات شیمی صنعتی، شیمی صنعتی I و II، اصول تصفیه آب و پساب‌های صنعتی، خوردگی فلزات):

۴۶- آب درون یک لوله با قطر داخلی ۵ cm، با سرعت $1 \frac{ft}{s}$ ، دانسیته $980 \frac{kg}{m^3}$ و ویسکوزیته $1c.p$ در حال حرکت

است. عدد Re برای این حرکت کدام است؟

(۱) ۹۰۰۰ (۲) ۱۲۰۰۰ (۳) ۱۵۰۰۰ (۴) ۱۸۰۰۰

۴۷- حجم یک پاند مل (Lb mole) از یک گاز ایده‌آل در شرایط استاندارد ($1atm, 0^{\circ}C$) کدام است؟

(۱) $379 ft^3$ (۲) $359 ft^3$ (۳) $22.4 lit$ (۴) $22.4 m^3$

۴۸- برای اندازه‌گیری پروفایل سرعت حرکت آرام در یک لوله مدور از کدام وسیله می‌توان استفاده نمود؟

(۱) لوله پیتو (Pitot tube) (۲) دستگاه ونچوری (Venturi Meter)

(۳) دستگاه اوریفیس (Orifice Meter) (۴) رتامتر (Rotameter)

۴۹- در کدام عملیات، نفوذ متقابل برابر $N_A + N_B = 0$ می‌تواند تحت شرایطی تحقق یابد؟

(۱) جذب سطحی (Adsorption) (۲) جذب (Absorption)

(۳) دفع (Stripping) (۴) تقطیر (Distillation)

۵۰- در یک برج تقطیر سینی‌دار با خوراک مایع اشباع، معادلات خطوط تبادل بالا و پایین برج (Operating lines) به

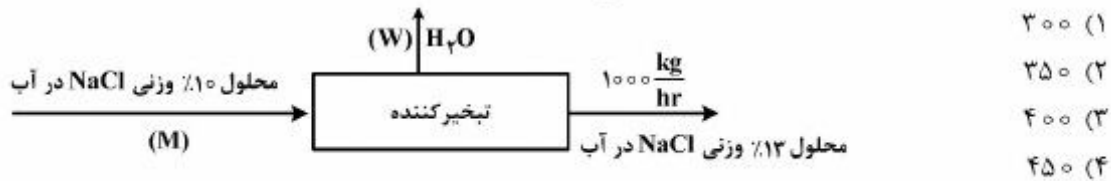
ترتیب به صورت $y = 0.5x + 0.6$ و $y = 2x - 0.3$ می‌باشد. ترکیب درصد خوراک نسبت به جزء فرارتر چند

درصد است؟

(۱) ۳۰ (۲) ۵۰ (۳) ۶۰ (۴) ۷۰

۵۱- محلول ۱۰٪ وزنی NaCl در آب در یک تبخیر کننده به محلول ۱۳٪ وزنی NaCl در آب تغلیظ می‌شود (فاز جامدی

ایجاد نشده است). در صورتی که محصول مورد نیاز $1000 \frac{kg}{h}$ باشد، میزان آب تبخیر شده مطابق شکل کدام است؟



۵۲- در برج تقطیر سینی دار پیوسته با جریان برگشتی، افزایش نسبت برگشتی خارجی (R) بدون تغییر در تعداد

سینی‌ها باعث بروز کدام تغییر می‌شود؟

- (۱) افزایش خلوص محصولات تقطیر
 (۲) افزایش مقدار محصول بالای برج
 (۳) کاهش خلوص محصولات تقطیر
 (۴) کاهش راندمان جداسازی

۵۳- در انتخاب نسبت برگشت بهینه در فرایند تقطیر جزء به جزء، کدام مورد به عنوان شاخص اصلی انتخاب می‌گردد؟

- (۱) هزینه کل فرایند مینیمم باشد.
 (۲) هزینه سرمایه‌گذاری مینیمم باشد.
 (۳) بیشترین محصول تولیدی دریافت گردد.
 (۴) هزینه‌های جاری در بهره‌برداری مینیمم باشد.

۵۴- فشاری که 27.2 mmHg اعلام شده است، چند Psi است؟

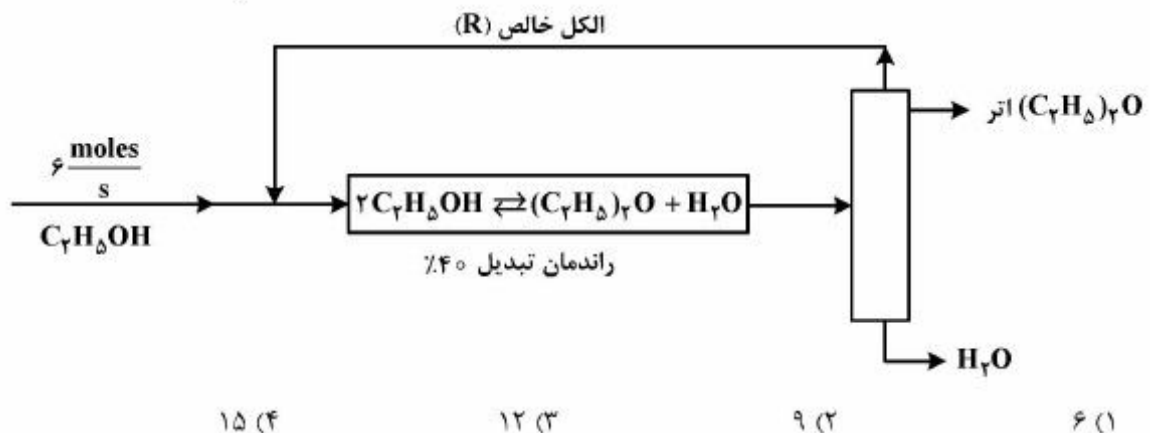
- $(\rho_{H_2O} = 1 \frac{gr}{cm^3}, \rho_{Hg} = 13.6 \frac{gr}{cm^3})$
 (۱) ۰٫۱۸
 (۲) ۰٫۲۵
 (۳) ۰٫۲۸
 (۴) ۰٫۳۸

۵۵- اگر استیلن (C_2H_2) با هوای اضافی به طور کامل سوزانده شده و ترکیب درصد گازهای احتراق به شکل زیر

باشد. چند درصد هوای اضافی به کار گرفته شده است؟

- $(CO_2 = 14.71\%, H_2O = 7.36\%, O_2 = 1.84\%, N_2 = 76.08\%)$
 (۱) ۱۰
 (۲) ۹
 (۳) ۸
 (۴) ۷

۵۶- سیستم تولید پیوسته اتر از اتانول به شکل زیر است. مقدار الکل برگشتی (R) چند $(\frac{moles}{s})$ است؟



۵۷- کدام مورد، معادله (کلاوزیوس - کلاپیرون) می‌باشد که برای محاسبهٔ حرارت تبخیر (Heat of vaporization) به کار می‌رود؟

$$\log \frac{P_1^*}{P_2^*} = \frac{\Delta \hat{H}_R}{2.3R} \left(\frac{1}{T_2} - \frac{1}{T_1} \right) \quad (۲)$$

$$\log \frac{P_1^*}{P_2^*} = \Delta \hat{H}_R \left(\frac{1}{T_2} - \frac{1}{T_1} \right) \quad (۱)$$

$$\ln \frac{P_1^*}{P_2^*} = \frac{\Delta \hat{H}_R}{R} \left(\frac{1}{T_2} - \frac{1}{T_1} \right) \quad (۴)$$

$$\ln \frac{P_1^*}{P_2^*} = \frac{\Delta \hat{H}_R}{2.3} \left(\frac{1}{T_2} - \frac{1}{T_1} \right) \quad (۳)$$

۵۸- دلیل مشاهدهٔ فاضلابی با $pH = ۴.۲$ ، بالا بودن کدام مورد است؟

EC (۱) TSS (۲) BOD_۵ (۳) قلیانیت کل (۴)

۵۹- کدام مورد، نقش پتانسیل زتا در فرایند لخته شدن است؟

- (۱) با توجه به شرایط محلول، نقش آن منفی یا مثبت است.
- (۲) هیچ‌گونه تأثیری روی لخته شدن ندارد.
- (۳) لخته شدن را تشدید می‌سازد.
- (۴) از لخته شده ممانعت می‌کند.

۶۰- کدام مورد، مناسب‌ترین روش حذف فسفر در فاضلاب‌ها است؟

- (۱) هوادهی ممتد
- (۲) استفاده از صافی
- (۳) کشت خز و گیاهان
- (۴) رسوب‌گیری فسفر توسط مواد لخته‌ساز

۶۱- غلظت یون‌های کلسیم، منیزیم و CO_۲ در یک نمونه آب به ترتیب برابر ۰.۳/۲، ۰.۸/۸ و ۱.۵ میلی‌اکی‌والان در لیتر می‌باشد، این نمونه فاقد سختی دائم است. مقدار آهک مورد نیاز برای حذف سختی این نمونه آب بر حسب میلی‌گرم در لیتر کدام است؟ (اکی‌والان گرم آهک ۲۸ است)

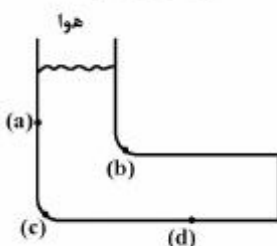
- (۱) ۱۰۸
- (۲) ۱۴۰
- (۳) ۱۹۶
- (۴) ۲۱۲

۶۲- دلیل اصلی خوردگی توسط باکتری‌های بی‌هوازی، کدام است؟

- (۱) تسهیل خوردگی فلز به دلیل تولید هیدروژن گازی
- (۲) حذف هیدروژن اتمی از سطح فلز به عنوان یک لایهٔ محافظ
- (۳) تولید مواد اسیدی و حذف لایهٔ محافظ اکسیدی از سطح فلز
- (۴) افزایش احتمال خوردگی به دلیل تولید اکسیژن گازی در سطح فلز

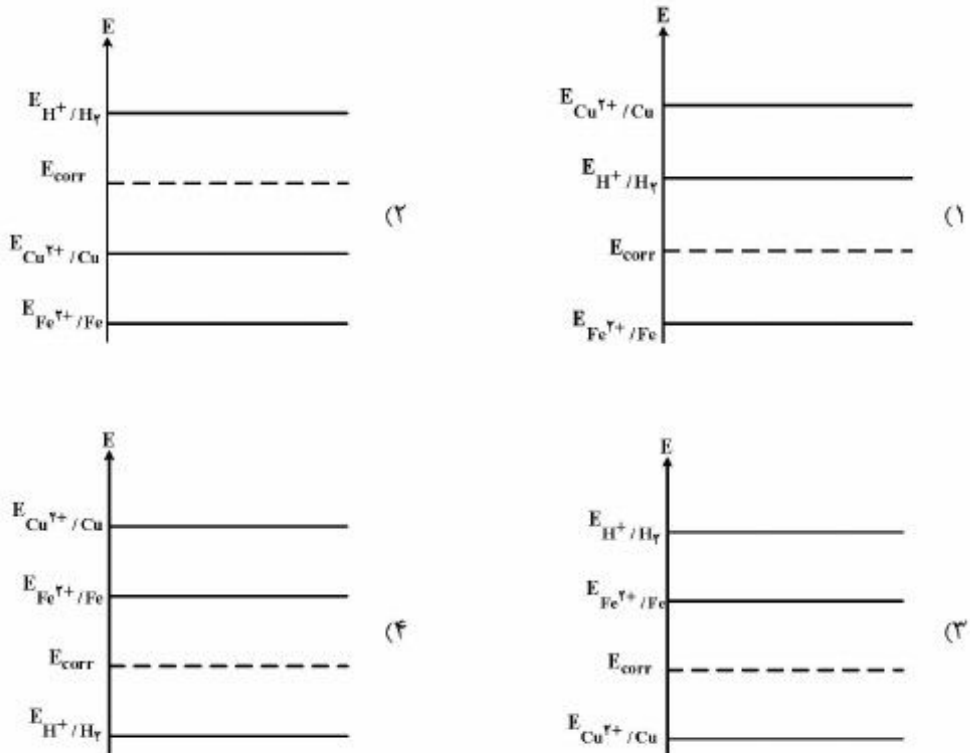
۶۳- در شکل زیر شرایطی نشان داده شده است که در آن مقداری آب راکد در یک محفظهٔ فلزی قرار گرفته است.

محل خوردگی احتمالی کدام یک از نواحی مشخص شده در شکل است؟



- a (۱)
- b (۲)
- c (۳)
- d (۴)

۶۴- کدام مورد، نشان دهنده نمودار پتانسیل برای خوردگی گالوانیک در یک اتصال آهن - مس است؟



۶۵- یک لوله فولادی مورد استفاده برای انتقال آب، توسط اتصال یک قطعه منیزیم به سطح خارجی آن حفاظت کاتدی

شده است. کدام مورد، در ارتباط با حفاظت این لوله از خوردگی، درست است؟

- (۱) هر دو سطح خارجی و داخلی از خوردگی محافظت می‌شوند.
- (۲) فقط سطح داخلی از خوردگی محافظت می‌شود و سطح خارجی خورده می‌شود.
- (۳) فقط سطح خارجی از خوردگی محافظت می‌شود و سطح داخلی خورده می‌شود.
- (۴) برای پاسخ به این سؤال به نسبت جرمی منیزیم به فلز مورد حفاظت، نیاز است.

فیزیک جدید:

۶۶- تندی حرکت مستقیم یک ذره آزاد $v = 0.6c$ می‌باشد. کدام مورد درست است؟

- (۱) انرژی کل ذره E و انرژی جنبشی آن K با هم برابرند.
- (۲) انرژی جنبشی ذره K و تکانه خطی آن pc با هم برابرند.
- (۳) انرژی کل ذره E پنج برابر انرژی جنبشی آن K می‌باشد.
- (۴) انرژی کل ذره E سه برابر انرژی جنبشی آن K می‌باشد.

۶۷- در پدیده فتوالکتریک نور با طول موج 420 نانومتر بر سطح فلز سدیم تابانیده شده است و ملاحظه شده که اختلاف پتانسیل توقف (Stopping Potential) فتوالکترون‌ها برابر 0.654 ولت است. اگر نور با طول موج 310 نانومتر بر سطح همان فلز سدیم تابیده شود، اختلاف پتانسیل نگهدارنده فتوالکترون‌ها چند ولت است؟
($ch = 2 \times 10^{-25} \text{ Jm}$, $e = 1.6 \times 10^{-19} \text{ Coul}$)

(۱) 1.35

(۲) 1.71

(۳) 2.35

(۴) 2.71

۶۸- ذره‌ای آزاد با تندی نسبی $v = \beta c$ در حال حرکت است. موج دو بروی این ذره دارای سرعت فاز v_{ph} و سرعت گروه v_g است. حاصل ضرب $v_g v_{ph}$ ، کدام است؟

(۱) c^2

(۲) βc^2

(۳) $\frac{c^2}{\beta}$

(۴) $\frac{c^2}{\sqrt{1-\beta^2}}$

۶۹- در دستگاه مختصات (x, ct) حادثه مرکزی $(x_0 = 0, ct_0 = 0)$ و حادثه دیگری در لحظاتی بعد در مکان دیگری با مختصات $E_1(x_1 = 5 \text{ m}, ct_1 = 3 \text{ m})$ اتفاق افتاده‌اند. ناظر ویژه‌ای در دستگاه مختصات لختی ویژه (x', ct') وجود دارد که مختصات حادثه مرکزی را به همان صورت یعنی $(x'_0 = 0, ct'_0 = 0)$ و مختصات حادثه دیگر را به کدام صورت مشاهده می‌کند؟

(۱) هم مکان با حادثه مرکزی یعنی $x'_1 = 0$ ولی در زمان بعدی $ct'_1 = 4 \text{ m}$

(۲) هم زمان با حادثه مرکزی یعنی $ct'_1 = 0$ ولی در مکان دیگر $x'_1 = 4 \text{ m}$

(۳) هم زمان و هم مکان با حادثه مرکزی یعنی $(x'_1 = 0, ct'_1 = 0)$

(۴) در زمان و مکان $(x'_1 = 4 \text{ m}, ct'_1 = 4 \text{ m})$

۷۰- در آزمایش فوتوالکتریک، فوتوالکترون‌های گسیل شده از سطح ماده طول موجی برابر 2π آنگستروم دارند. اگر تابع کار این ماده برابر $\phi = 2 \text{ eV}$ باشد، انرژی فوتون‌های فرودی چند eV است؟ ($\frac{h^2}{2m_e} = 3.81 \text{ eVA}^{\circ 2}$)

(۱) 1.81

(۲) 2.81

(۳) 3.81

(۴) 5.81

۷۱- به یک الکترون با انرژی 2 GeV شتاب داده می‌شود. سرعت الکترون تقریباً چند متر بر ثانیه از سرعت نور در خلاء کمتر است؟ ($m_e c^2 = 0.5 \text{ MeV}$)

(۱) 10

(۲) 500

(۳) 10000

(۴) 500000

۷۲- خواص مغناطیسی مواد نانومغناطیسی اصولاً از کدام منشأ اصلی درون اتم‌ها یا ملکول‌های تشکیل دهنده مواد به وجود می‌آید؟

- (۱) عمدتاً از الکترون‌های جفت نشده لایه باز خارجی اتم‌های تشکیل دهنده مواد
- (۲) عمدتاً از پروتون‌های جفت نشده درون هسته‌های اتمی تشکیل دهنده مواد
- (۳) عمدتاً از نوترون‌های جفت نشده درون هسته‌های اتمی تشکیل دهنده مواد
- (۴) فقط از عدم تقارن اتم‌ها در ساختمان ملکولی تشکیل دهنده مواد

۷۳- کدام عبارت، درست است؟

- (۱) در اثر بازترکیب الکترون و حفره در سیلیسیم فوتون گسیل می‌شود.
- (۲) در اثر بازترکیب الکترون و حفره در ژرمانیوم فوتون گسیل می‌شود.
- (۳) در اثر بازترکیب الکترون و حفره در گالیوم آرسناید گرما تولید می‌شود.
- (۴) در اثر بازترکیب الکترون و حفره در گالیوم آرسناید فوتون گسیل می‌شود.

۷۴- دانه‌ای به جرم m مقید به حرکت روی یک حلقه دایره‌ای شکل به شعاع R در صفحه افق می‌باشد. طیف انرژی این ذره کدام است؟ ($N=1,2,3,\dots$)

$$\frac{h^2}{2mR^2} N^2 \quad (1)$$

$$\frac{h^2}{mR^2} N^2 \quad (2)$$

$$\frac{h^2}{4mR^2} N \quad (3)$$

$$\frac{h^2}{4mR^2} \left(N + \frac{1}{2}\right) \quad (4)$$

۷۵- برای تعیین a_0 ثابت شبکه یک بلور با سلول واحد مکعبی با صفحات موازی طبق شکل، اشعه X با طول موج $\lambda = 1.41 \text{ \AA}$ تحت زاویه $\theta = 75^\circ$ بر روی سطح بالایی بلور تابیده می‌شود و اولین گروه نقاط روشن طرح شبکه مشاهده می‌شوند. مقدار a_0 تقریباً چند درصد یک نانومتر است؟



۲۵ (۱)

۲۰ (۲)

۱۵ (۳)

۱۰ (۴)

۷۶- در اتم‌های شبه هیدروژنی با عدد اتمی $Z (\geq 1)$ طول موج فوتون تابشی از این اتم‌ها از حالت برانگیخته $n = 2$ به حالت پایه $n = 1$ کدام است؟

$$\lambda_o = \frac{4}{3} \left(\frac{h^2 \epsilon_o^2 c}{m_e e^4} \right) \text{ با } \frac{\lambda_o}{Z} \quad (1)$$

$$\lambda_o = \frac{8}{3} \left(\frac{h^2 \epsilon_o^2 c}{m_e e^4} \right) \text{ با } \frac{\lambda_o}{Z^2} \quad (2)$$

$$\lambda_o = \frac{16}{3} \left(\frac{h^2 \epsilon_o^2 c}{m_e e^4} \right) \text{ با } \frac{\lambda_o}{Z} \quad (3)$$

$$\lambda_o = \frac{32}{3} \left(\frac{h^2 \epsilon_o^2 c}{m_e e^4} \right) \text{ با } \frac{\lambda_o}{Z^2} \quad (4)$$

۷۷- در اتم هیدروژن، انرژی حالت پایه الکترون (قوی‌ترین پیوند الکترون به اتم هیدروژن) $13/6$ - الکترون ولت است. در اتم پوزیترونیم (وقتی ذره پوزیترون e^+ به جای ذره پروتون p^+ در هسته هیدروژن قرار می‌گیرد) انرژی حالت پایه الکترون چند الکترون ولت است؟ آیا این پیوند قوی‌تر از پیوند الکترون در اتم هیدروژن است؟

(۱) $13/6$ - قدرت پیوندها فرقی نمی‌کند و با هم مساوی هستند.

(۲) $6/8$ - خیر - پیوند ضعیف‌تر است.

(۳) $20/4$ - بله - پیوند قوی‌تر است.

(۴) $27/2$ - بله - پیوند قوی‌تر است.

۷۸- یک الکترون و یک پروتون در فاصله نزدیکی از یکدیگر قرار دارند. حالت سکون رها و با هم ترکیب می‌شوند و یک اتم هیدروژن ساکن تشکیل می‌شود. اگر در این فرایند یک فوتون تولید شود، طول موج آن در کدام محدوده است؟

(۱) نور مرئی (۲) فرابنفش (۳) فروسرخ (۴) امواج رادیویی

۷۹- انرژی حالت پایه یک فوتون زندانی شده در یک چاه پتانسیل بی‌نهایت عمیق یک بعدی با عرض یک فرمی، چند ژول است؟ ($ch = 2 \times 10^{-25} \text{ Jm}$)

$$1 \times 10^{-10} \quad (1)$$

$$6 \times 10^{-8} \quad (2)$$

$$3 \times 10^{-8} \quad (3)$$

$$2 \times 10^{-10} \quad (4)$$

۸۰- تعداد هشت الکترون درون یک مکعب بسته به ضلع a بدون برهمکنش با یکدیگر به حالت مقید نگهداری

می‌شوند و امکان خروج از آن وجود ندارد. انرژی کل این مجموعه، چند $\epsilon_o = \frac{h^2}{4m_e a^2}$ است؟

(الکترون دارای اسپین است و از قانون طرد پائولی پیروی می‌کند.)

$$42 \quad (1)$$

$$32 \quad (2)$$

$$21 \quad (3)$$

$$15 \quad (4)$$

۸۱- در ناحیه‌ای از فضا، ذره‌ای با انرژی صفر دارای تابع $\psi(x) = A x \exp\left(\frac{-x^2}{L^2}\right)$ است، انرژی پتانسیل بر حسب x

کدام است؟

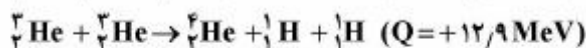
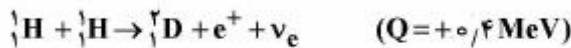
$$U(x) = \frac{\hbar^2 x^2}{mL^2} \quad (1)$$

$$U(x) = \frac{\hbar^2}{2m} A x e^{-\frac{x^2}{L^2}} \quad (2)$$

$$U(x) = \frac{\hbar^2}{mL^2} \left(\frac{2x^2}{L^2} - 2 \right) \quad (3)$$

$$U(x) = \frac{\hbar^2}{2mL^2} \left(2 - \frac{2x^2}{L^2} \right) \quad (4)$$

۸۲- در یک چرخه کامل پروتون - پروتون برای گداخت هسته‌ای در خورشید چند MeV انرژی آزاد می‌گردد؟



۳۲٫۷ (۱)

۲۶٫۷ (۲)

۲۰٫۷ (۳)

۱۹٫۸ (۴)

۸۳- انرژی بستگی میان یک نوترون و یک پروتون داخل یک هسته اورانیوم تقریباً چند برابر انرژی پیوندی یک مولکول است؟

10^3 (۴)

10^6 (۳)

10^9 (۲)

10^{12} (۱)

۸۴- ذره‌ای آزاد با انرژی جنبشی 10 eV در امتداد مسیری مستقیم در حرکت است و به سمت یک پله پتانسیل ثابت

$+4 \text{ eV}$ نزدیک می‌شود. پس از برخورد این ذره با پله پتانسیل چه رخ می‌دهد؟

(۱) بخشی از آن با انرژی جنبشی 4 eV بازتاب می‌کند و بخشی هم با انرژی جنبشی 6 eV به مسیر خود ادامه می‌دهد.

(۲) بخشی از آن با انرژی جنبشی 10 eV بازتاب می‌کند و بخشی هم با انرژی جنبشی 6 eV به مسیر خود ادامه می‌دهد.

(۳) در ناحیه پله پتانسیل به صورت نمایی انرژی جنبشی خود را از دست داده و نهایتاً متوقف می‌شود.

(۴) با احتمال 100% درصد با انرژی جنبشی 6 eV به مسیر خود ادامه می‌دهد.

۸۵- در تلاشی ذره سیگمای منفی به صورت $\Sigma^- \rightarrow \pi^- + p^+ + n^0 + K^-$ کدام یک از کمیات فیزیکی بقاء دارند؟

الف - بار الکتریکی، ب - عدد بار یونی B، ج - اسپین J، د - عدد شگفتی S

(۱) فقط الف و ب و د (۲) فقط الف و ب

(۳) فقط الف و ج (۴) فقط الف و د

خواص فیزیکی و مکانیکی مواد:

۸۶- نسبت طول اشغال شده توسط اتم‌های کربن به طول قطر سلول واحد ساختمان مکعبی الماسی (جهت [۱۱۱])، کدام است؟

- (۱) ۰/۳
(۲) ۰/۴
(۳) ۰/۵
(۴) ۰/۶

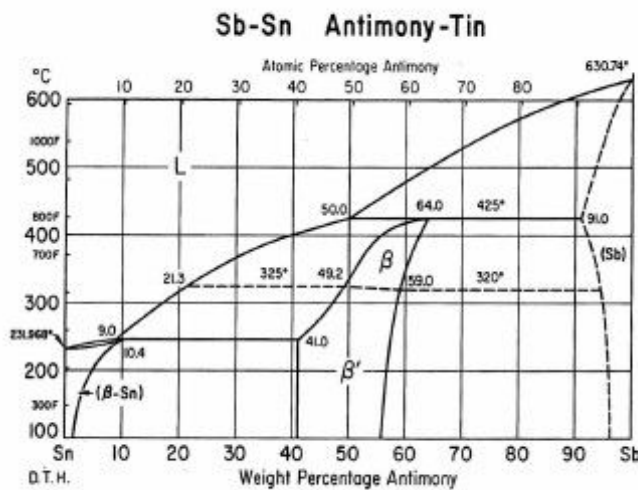
۸۷- رابطه $\Delta G_E = \frac{2}{3} \mu \Delta^2 f \left(\frac{c}{a}\right)$ در مورد مقدار انرژی کرنش الاستیکی در هنگام ایجاد یک رسوب در یک زمینه

فوق اشباع پیشنهاد شده است. در این رابطه کدام مورد درست است؟

- (۱) μ سطح رسوب و Δ حجم رسوب ایجاد شده می‌باشد.
(۲) μ مدول برشی زمینه و Δ عدم تطابق حجمی می‌باشد.
(۳) Δ مدول برشی زمینه و μ عدم تطابق حجمی می‌باشد.
(۴) μ مدول برشی زمینه و Δ حجم رسوب ایجاد شده می‌باشد.

۸۸- مطابق شکل آلیاژی از Sn-Sb به وزن ۱g از دمای $425^\circ\text{C} + \Delta T$ در آب سرد کوننج شده است. این آلیاژ حاوی ۷۵٪ فاز آمورف در دمای محیط است. درصد وزنی تقریبی Sb این آلیاژ، کدام است؟

- (۱) ۸۰
(۲) ۷۰
(۳) ۶۰
(۴) ۵۰



۸۹- اگر انرژی لازم جهت شکست پیوند اشتراکی C-C برابر $E \text{ J/mol}$ باشد، در آن صورت طول موج اشعه مورد نیاز برای شکست این پیوند کدام است؟

(سرعت نور: $c \text{ (m/s)}$ ، ثابت پلانک: $h \text{ (J.s)}$ ، عدد آووگادرو: N_0)

$$\frac{N_0 h}{cE} \quad (۴) \quad \frac{cE}{N_0 h} \quad (۳) \quad \frac{cN_0 h}{E} \quad (۲) \quad \frac{E}{cN_0 h} \quad (۱)$$

۹۰- چگالی اتمی صفحه کریستالی در کدام مورد، کمترین است؟

- (۱) bcc (۱۰۰)
(۲) مکعبی ساده (۱۰۰)_{SC}
(۳) fcc (۱۱۱)
(۴) hcp (۰۰۰۱)

۹۱- اگر ضریب نفوذ کربن در آستنیت از رابطه $D_c^{\gamma} = 1 \times 10^{-5} \exp\left(-\frac{135700}{RT}\right)$ ، با واحد $\left(\frac{m^2}{s}\right)$ تعیین شود، مسافت شعاعی طی شده توسط اتم کربن در مدت ۴ ساعت، عملیات حرارتی در دمای $950^{\circ}C$ چند برابر مسافت طی شده در ۱ ساعت است؟

(۱) ۴

(۲) ۳

(۳) ۲

(۴) ۱/۵

۹۲- کدام مورد، رابطه بین ضریب نفوذ جای خالی D_v و ضریب نفوذ جانشینی جزء A ، (D_A) است؟
(X_v^e کسر تعادلی جای خالی می باشد).

$$D_v = x_v^e \cdot D_A \quad (2) \qquad D_v = \frac{D_A}{x_v^e} \quad (1)$$

$$D_v = (x_e)^2 \cdot D_A \quad (4) \qquad D_v = x_v^e \cdot D_A^2 \quad (3)$$

۹۳- اتمی با بسامد جهش اتمی $12s^{-1}$ در یک شبکه بلوری به طور اتفاقی نفوذ می کند. اگر فاصله هر جهش برابر $1A^{\circ}$ باشد، در آن صورت کل فاصله طی شده (برحسب μm) توسط این اتم در مدت $30000s$ ، کدام مورد است؟

(۱) ۶۰۰

(۲) ۳۰۰

(۳) ۶۰

(۴) ۳۰

۹۴- چرا مناطق GP جزء اولین فازهایی هستند که در عملیات حرارتی رسوب سختی، در زمینه فوق اشباع ایجاد می گردند؟
(۱) این رسوبات باعث رسیدن سیستم به کمترین سطح انرژی می شوند.

(۲) دارای فصل مشترک غیر هم سیما با زمینه می باشند.

(۳) دارای فصل مشترک نیمه هم سیما با زمینه می باشد.

(۴) دارای فصل مشترک هم سیما با زمینه می باشند.

۹۵- میخ پرچهای ساخته شده از آلیاژهای $Al - Cu - Mg - Si$ را قبل از استفاده برای جلوگیری از مرحله تا موقع کاربرد در درجه حرارت نگهداری می نمایند.

(۱) رسوب گذاری - پایین (۲) رسوب گذاری - بالا

(۳) انحلال - بالا (۴) انحلال - پایین

۹۶- قطعه ای دارای ترکی سطحی و در جهت ضخامت می باشد. اگر این قطعه در جهت عمود بر صفحه ترک تحت کشش قرار گیرد کدام عبارت در خصوص تنش در رأس ترک درست است؟

(تنش در رأس ترک از رابطه $\sigma = K / \sqrt{2\pi r}$ پیروی می کند، r فاصله از رأس ترک می باشد).
(۱) برابر بی نهایت است.

(۲) اگر ماده رأس ترک تسلیم شود، برابر تنش تسلیم ماده است.

(۳) اگر ماده رأس ترک تسلیم شود، برابر تنش شکست ماده است.

(۴) اگر ماده رأس ترک تسلیم نشود، برابر تنش تسلیم ماده است.

۹۷- ماده‌ای در دست است، اگر تغییرات زیر در آن صورت گیرد، در کدام شرایط دارای بیشترین مدول جهندگی است؟

- (۱) مدول الاستیک آن بدون تغییر و استحکام تسلیم آن دو برابر گردد.
- (۲) مدول الاستیک آن نصف و استحکام تسلیم آن بدون تغییر بماند.
- (۳) مدول الاستیک آن نصف و استحکام تسلیم آن دو برابر گردد.
- (۴) مدول الاستیک آن ۲ برابر و استحکام تسلیم آن نصف گردد.

۹۸- در یک فلز با شبکه bcc یک صفحه (۱۱۰) دارای سه منبع فرانک - رید موازی با طول‌های $L_1 > L_2 > L_3$ موجود است. اگر در روی این صفحه و در جهت عمود بر این سه منبع تنش برشی فزاینده‌ای اعمال شود، کدام منبع ابتدا شروع به فعالیت می‌کند؟

- (۱) منبع با طول L_1
- (۲) منبع با طول L_3
- (۳) هر سه منبع در یک زمان فعال می‌شوند.
- (۴) ترتیب فعال شدن عبارت است از اول L_3 دوم L_2 و سوم L_1

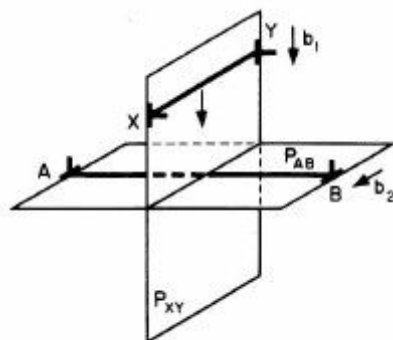
۹۹- کدام عبارت در مورد چقرمگی شکست (K)، درست است؟

- (۱) با کاهش اندازه دانه چقرمگی شکست افزایش می‌یابد. (۲) با کاهش اندازه دانه چقرمگی شکست کاهش می‌ماند.
- (۳) با کاهش اندازه دانه چقرمگی شکست ثابت می‌ماند. (۴) با افزایش تنش چقرمگی شکست کاهش می‌یابد.

۱۰۰- در یک شبکه fcc ترتیب چیده شدن صفحات نپ {۱۱۱} و {۱۱۰} به ترتیب از راست به چپ، کدام است؟

- (۱) abcabc..., abcabc...
- (۲) ababab..., ababab...
- (۳) ababab..., abcabc...
- (۴) abdabd..., abcabc...

۱۰۱- شکل زیر حرکت دو نابجایی لبه‌ای (edge) را در دو صفحه مختلف نشان می‌دهد. پس از برخورد دو نابجایی کدام مورد، درست است؟



- (۱) دو نابجایی بدون ایجاد جاگ به حرکت خود ادامه می‌دهند.
- (۲) در هر دو نابجایی جاگ ایجاد می‌شود.
- (۳) در نابجایی XY جاگ ایجاد می‌شود.
- (۴) در نابجایی AB جاگ ایجاد می‌شود.

۱۰۲- سه نمونه تست خستگی A, B و C کاملاً مشابه از یک آلیاژ غیر آهنی ساخته شده‌اند. هر یک از نمونه‌ها طبق جدول تحت تنش سیکلی با فرکانس تناوب یکسان قرار می‌گیرند. عمر خستگی این نمونه‌ها در کدام مورد درست است؟

Specimen	σ_{max} (MPa)	σ_{min} (MPa)
A	+۳۹۰	-۲۹۰
B	+۴۰۰	-۳۰۰
C	+۳۴۰	-۳۴۰

(۲) $A > C > B$

(۴) $C > B > A$

(۱) $A > B > C$

(۳) $C > A > B$

۱۰۳- اگر شعاع سیمی دو برابر شود، کدام مورد نسبت تنش سیم ۱ به سیم ۲ در یک نیروی ثابت، است؟

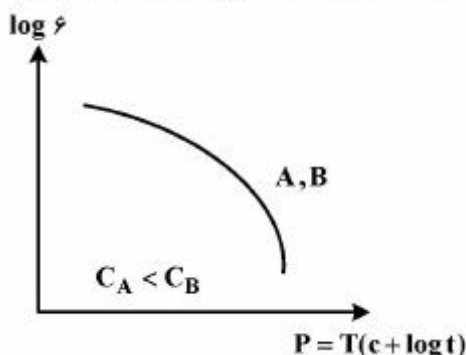
(۱) ۴

(۲) ۲

(۳) $\frac{1}{2}$

(۴) $\frac{1}{4}$

۱۰۴- شکل داده شده رفتار دو ماده A و B را در دمای بالا نشان می‌دهد، کدام مورد در خصوص طول عمر دو نمونه درست است؟



(۱) نمی‌توان اظهار نظر کرد.

(۲) $t_A = t_B$

(۳) $t_A < t_B$

(۴) $t_A > t_B$

۱۰۵- کدام یک از روابط زیر میان عدد سختی برنیل و استحکام تسلیم و کششی (MPa) یک فولاد کربنی برقرار است؟

(۲) $\sigma_y = \frac{HB}{0.3}$ ، $\sigma_u = 3.45 HB$

(۱) $\sigma_y = \frac{HB}{3.45}$ ، $\sigma_u = 3.45 HB$

(۴) $\sigma_y = \frac{HB}{3}$ ، $\sigma_u = 3.45 HB$

(۳) $\sigma_y = \frac{H}{3.45}$ ، $\sigma_u = 3 HB$

پدیده‌های انتقال (انتقال جرم، مکانیک سیالات، انتقال حرارت):

۱۰۶- واکنش سریع $A \rightarrow B + C$ در فاز گاز انجام می‌شود، رابطه F_G و k_G کدام است؟

(۱) $F_G = k_G P_{BM}$

(۲) $F_G = \frac{k_G}{P_{BM}}$

(۳) $F_G = \frac{(P_{A2} - P_{A1})k_G}{\ln\left(\frac{P_t + P_{A1}}{P_t + P_{A2}}\right)}$

(۴) $F_G = \frac{(P_{A2} - P_{A1})k_G}{\ln\left(\frac{P_t - P_{A2}}{P_t - P_{A1}}\right)}$

۱۰۷- سیالی متشکل از سه جزء A و B و C در جهت Z در حال حرکت می باشند. در صورتی که غلظت موضعی اجزاء به ترتیب ۲، ۳ و ۴ مول بر cm^3 و سرعت موضعی مطلق هر جزء به ترتیب ۲، $\frac{2}{3}$ و ۱ برحسب $\frac{\text{cm}}{\text{s}}$ باشند، \mathbf{j}_B چند

است $\frac{\text{mol}}{\text{cm}^2 \cdot \text{s}}$ ؟

(۱) $\frac{4}{3}$

(۲) $-\frac{4}{3}$

(۳) $\frac{4}{9}$

(۴) $-\frac{4}{9}$

۱۰۸- معادله $-\nabla \cdot \mathbf{j}_i + r_i = \rho \left[\frac{\partial \omega_i}{\partial t} + \vec{V} \cdot \nabla \omega_i \right]$ را برای پیوستگی جزء i در نظر می گیریم. اگر این رابطه را برای همه اجزاء بنویسیم و جمع کنیم، کدام مورد درست است؟ (ω_i کسر جرمی جزء i است)

(۱) $\sum r_i = 0$

(۲) $\sum r_i = \rho \frac{\partial \omega_i}{\partial t}$

(۳) $\sum r_i = \rho \left[\frac{\partial \omega_i}{\partial t} + \vec{V} \cdot \nabla \omega_i \right]$

(۴) هر کدام از دو طرف رابطه برابر صفر هستند.

۱۰۹- در یک برج جذب گاز توسط مایع با جریان های (مقدار گاز ورودی، غلظت های گاز در دو انتهای برج و غلظت مایع هنگام ورود به برج معلوم و ثابت است). اگر H ارتفاع برج و L شدت مایع ورودی باشد، آن گاه کدام مورد درست است؟

(۱) مقدار H نخست با L افزایش و سپس کاهش می یابد.

(۲) با افزایش L مقدار H افزایش می یابد.

(۳) با افزایش L مقدار H کاهش می یابد.

(۴) مقدار H بستگی به L ندارد.

۱۱۰- قطر یک برج جذب سینی دار برای تماس گاز با مایعی با کشش سطحی $\frac{N}{m}$ 0.8 طراحی شده است. در اثر وجود

ماده فعال سطحی، کشش سطحی فاز مایع به $\frac{N}{m}$ 0.5 کاهش می یابد. در این صورت دبی گاز عبوری را با چه

ضریبی باید تغییر داد؟ ($0.1 < \frac{L'}{G'} \sqrt{\frac{\rho_G}{\rho_L}}$)

(۱) $\left(\frac{1}{5}\right)^{0.5}$

(۲) $\left(\frac{5}{1}\right)^{0.5}$

(۳) $\left(\frac{1}{5}\right)^{0.2}$

(۴) $\left(\frac{5}{1}\right)^{0.2}$

۱۱۱- بخار آب در هوا در فشار ثابت ۱ bar و دمای ثابت ۳۰۰ K به میزان $\frac{\text{kg}}{\text{m}^3 \cdot \text{h}} \times 10^{-5} \times 2$ نفوذ می‌کند. سرعت متوسط

مولی مخلوط بر حسب m/s کدام است؟ ($R = 8314 \frac{\text{N.m}}{\text{kmol.K}}$)

(۱) $V^* = 0$

(۲) $V^* = 4 \times 10^{-3}$

(۳) $V^* = 5 \times 10^{-4}$

(۴) $V^* = 2 \times 10^{-5}$

۱۱۲- کدام عبارت در مورد ضریب نفوذ دو تایی و ضریب نفوذ مؤثر در مخلوط چند جزئی برای گازها، درست است؟

(۱) ضریب نفوذ دو تایی و ضریب نفوذ مؤثر مستقل از غلظت هستند.

(۲) ضریب نفوذ دو تایی مستقل و ضریب نفوذ مؤثر تابع غلظت هستند.

(۳) ضریب نفوذ دو تایی متناسب با $\frac{1}{P_t}$ و ضریب نفوذ مؤثر متناسب با $\frac{1}{P_t^n}$ و $n > 1$ است.

(۴) ضریب نفوذ دو تایی متناسب با $T^{\frac{3}{2}}$ و ضریب نفوذ مؤثر متناسب با T^n و $n > \frac{3}{2}$ است.

۱۱۳- در محاسبات مربوط به پمپ‌ها، از ترکیب پارامترهای قطر D ، افت فشار ΔP ، توان P و سرعت متوسط U کدام

عدد بی بعد حاصل می‌شود؟

(۱) $\frac{P}{(\Delta P)UD}$

(۲) $\frac{PD}{(\Delta P) \times U}$

(۳) $\frac{P}{(\Delta P)DU^2}$

(۴) $\frac{P}{(\Delta P) \times UD^2}$

۱۱۴- مطابق شکل فشارسنج‌های A و B به ترتیب فشارهای نسبی ۳۵۰ kPa و ۳۴۴ kPa را نشان می‌دهند. ارتفاع h

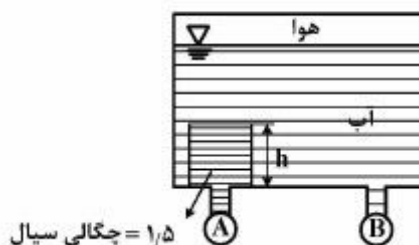
چند متر است؟

(۱) ۱/۲

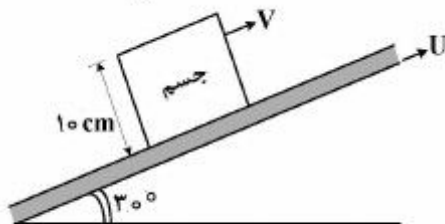
(۲) ۱/۵

(۳) ۵

(۴) ۶



۱۱۵- بالابری با سرعت U به طرف بالا در حال حرکت است. جسمی با دانسیته $\frac{kg}{m^3}$ روی آن قرار داشته و یک لایه نازک از مایعی با ویسکوزیته $0.5 Pa \cdot s$ و ضخامت خیلی کم برابر $1 mm$ بین جسم و بالابر قرار گرفته است. اگر جسم با سرعت ثابت V در حال حرکت به سمت بالا باشد، اختلاف سرعت بالابر و جسم چند متر بر ثانیه $(\frac{m}{s})$ است؟

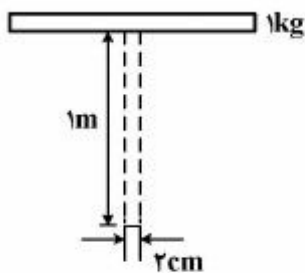


- (۱) 0.05
 (۲) 0.1
 (۳) 0.5
 (۴) 1

۱۱۶- جریان خون در رگ‌ها آرام است. اگر بر اثر رسوب چربی قطر رگ 0.20 کاهش یابد، میزان خون‌رسانی چند درصد کم می‌شود؟ (رفتار خون را نیوتنی فرض کنید)

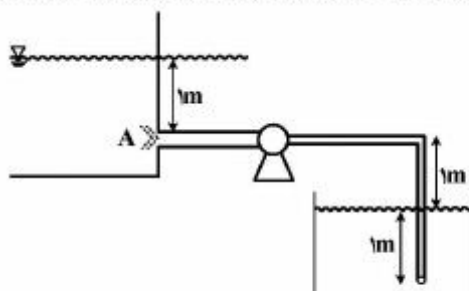
- (۱) 20
 (۲) 36
 (۳) 49
 (۴) 60

۱۱۷- مطابق شکل، آب با شدت به سمت بالا از لوله جریان می‌یابد. سرعت آب چند متر بر ثانیه باشد تا بتواند وزنه‌ای را به جرم یک کیلوگرم در ارتفاع 1 متر نگه دارد؟ ($\pi = 3$, $g = 10 \frac{m}{s^2}$)



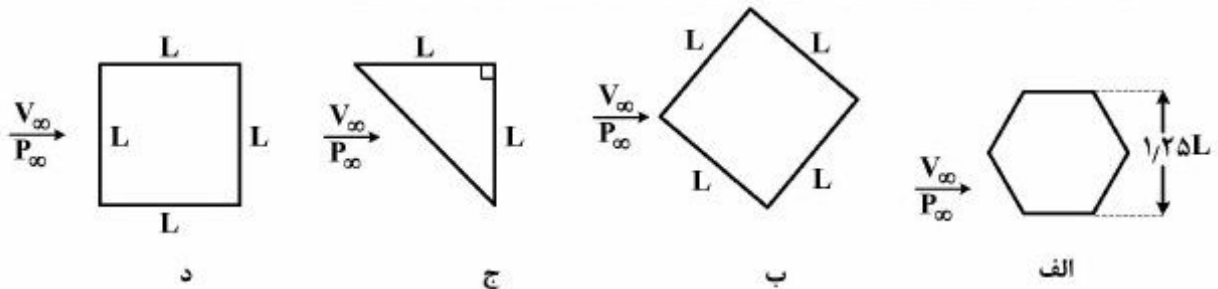
- (۱) $\sqrt{10}$
 (۲) $3\sqrt{10}$
 (۳) $10 \frac{\sqrt{3}}{3}$
 (۴) $\sqrt{\frac{130}{3}}$

۱۱۸- آب از یک مخزن پایین‌دست، توسط پمپی به یک استخر در بالادست مطابق شکل پمپ می‌شود. فشار نسبی سیال در نقطه A تقریباً کدام است؟



- (۱) 1 متر آب
 (۲) 2 متر آب
 (۳) 3 متر آب
 (۴) بین 2 تا 3 متر آب

۱۱۹- جریانی با سرعت V_∞ و فشار P_∞ از روی میله‌های طولانی با سطح مقطع‌های زیر عبور می‌کند. با فرض ضریب درگ C_D یکسان برای تمامی شکل‌ها، نیروی درگ وارده بر کدام میله، بیشترین است؟



(۲) ب

(۱) الف

(۴) د

(۳) ج

۱۲۰- ضریب هدایت حرارتی تقریبی گاز هلیوم در 25°C برابر $0.15 \frac{\text{W}}{\text{mK}}$ می‌باشد. ضریب هدایت حرارتی این گاز در

225°C تقریباً چند $\frac{\text{W}}{\text{mK}}$ است؟

(۲) ۰/۲۱

(۱) ۰/۱۵

(۴) ۱/۹۵

(۳) ۰/۶۰

۱۲۱- اگر در محاسبات ضخامت بحرانی عایق برای لوله‌ای به شعاع 10 cm ، شعاع بحرانی عایقی خاص برابر 8 cm شده باشد، کدام مورد درست است؟

(۱) باید لوله را با ضخامت 2 cm عایق‌بندی کنیم.

(۲) باید لوله را با ضخامت 8 cm عایق‌بندی کنیم.

(۳) با هر ضخامتی لوله را عایق‌بندی کنیم، اتلاف حرارت کاهش می‌یابد.

(۴) با هر ضخامتی لوله را عایق‌بندی کنیم، اتلاف حرارت افزایش می‌یابد.

۱۲۲- تغییرات درجه حرارت برای سیالی که از روی یک سطح عبور می‌کند، در جهت عمود بر سطح به صورت

$T = \Delta y + \epsilon y^2$ داده شده است. اگر ضریب هدایت حرارتی $k = 0.2 \frac{\text{W}}{\text{m}^\circ\text{C}}$ باشد، شار انتقال حرارت برحسب

$\frac{\text{W}}{\text{m}^2}$ کدام است؟

(۱) -۱

(۲) -۱۰

(۳) ۰/۲۵

(۴) ۵

۱۲۳- چنانچه شدت انتقال حرارت بین چای داغ موجود در یک لیوان یکبار مصرف و پوست دست q_1 باشد و با قرار دادن لیوان در یک لیوان یکسان دیگر، شدت انتقال گرما q_2 گردد، کدام مورد، بیانگر رابطه بین شدت‌های انتقال گرما است؟

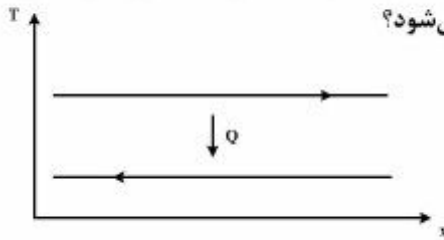
(۲) $q_1 = 2q_2$

(۱) $q_1 = q_2$

(۴) $q_1 > 2q_2$

(۳) $q_1 < 2q_2$

۱۲۴- برای یک مبدل حرارتی با توزیع دمای جریان‌های نشان داده شده، نصب پره بر روی سطح (یا سطوح) در تماس با کدام جریان (یا جریان‌ها) منجر به افزایش چشمگیر کارایی مبدل می‌شود؟



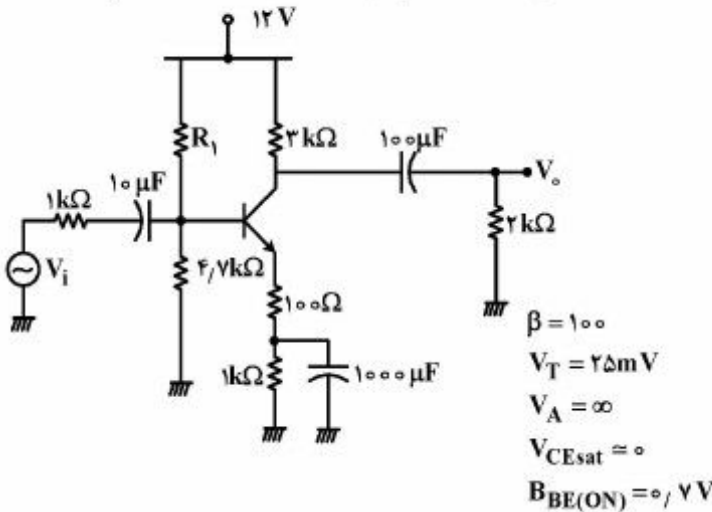
- (۱) تنها سطح در تماس با جریان سرد
- (۲) تنها سطح در تماس با جریان گرم
- (۳) هر دو سطح
- (۴) هیچ‌کدام از سطوح

۱۲۵- تغییر رنگ تدریجی قطعه آهن در معرض شعله آتش با افزایش دما از قرمز به بنفش بیانگر کدام قانون تابش حرارتی است؟

- (۱) استفان بولتزمن
- (۲) تشعشع از توده گازها
- (۳) جابه‌جایی وین
- (۴) کیرشهف

الکترونیک (۲۰۱) و الکترومغناطیس مهندسی:

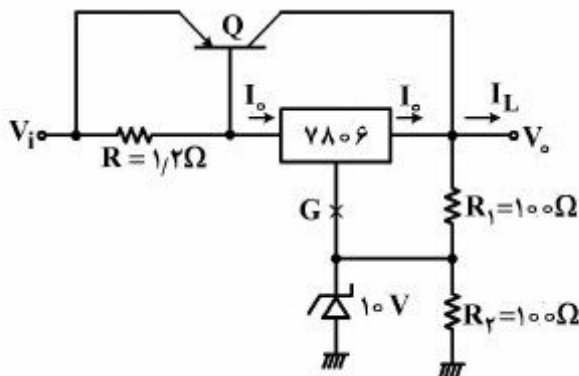
۱۲۶- مطابق شکل برای اینکه بتوانیم ماکزیمم دامنه بدون بریدگی را در خروجی V_o داشته باشیم، مقاومت R_1 کدام است؟



- (۱) $R_1 = 4.7k\Omega$
- (۲) $R_1 = 13.25k\Omega$
- (۳) $R_1 = 21.77k\Omega$

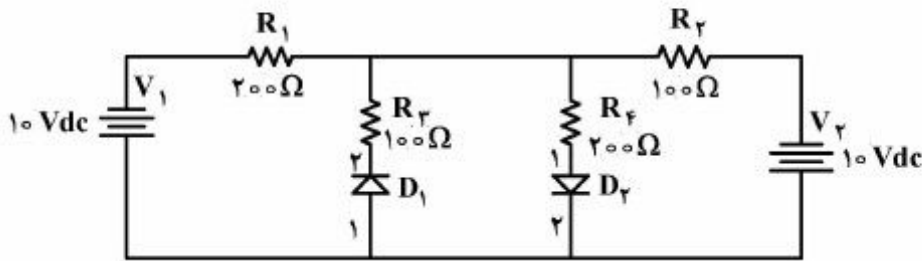
(۴) ماکزیمم بودن سوینگ خروجی ارتباطی به R_1 ندارد.

۱۲۷- در مدار رگولاتور ولتاژ شکل زیر با فرض $\beta = 10$ ، $V_{BE(ON)} = 0.6V$ ، $I_{o,max} = 1A$ ، مقادیر V_o و $I_{L,max}$ کدام است؟



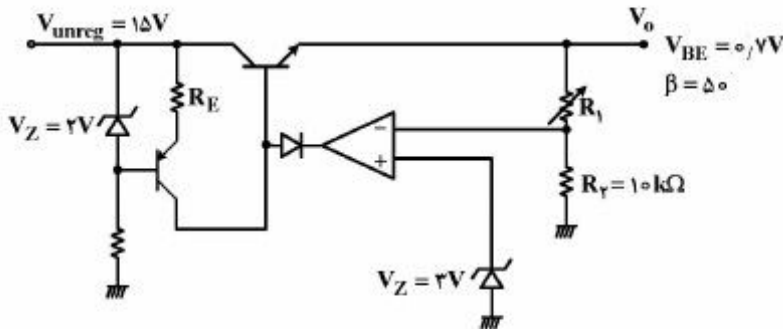
- (۱) $6A$ ، $12V$
- (۲) $6.5A$ ، $12V$
- (۳) $6.5A$ ، $16V$
- (۴) $1A$ ، $16V$

۱۲۸- جریان الکتریکی در مقاومت R_1 در مدار زیر، چند میلی آمپر است؟ (دیودها ایدئال فرض شوند)



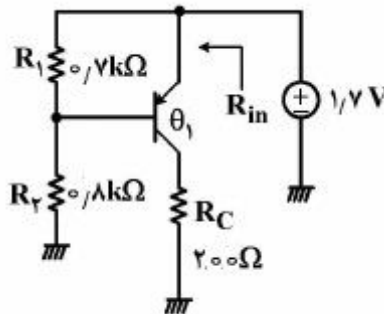
- ۵۸ (۱)
- ۶۰ (۲)
- ۶۲ (۳)
- ۶۴ (۴)

۱۲۹- ولتاژ رگولاتور زیر، قابل تنظیم از ۳ تا ۱۲ ولت و جریان بار حداکثر یک آمپر می باشد. مقدار مقاومت پتانسیومتر (R_1) و نیز مقدار R_E به ترتیب از (راست به چپ) به کدام مورد نزدیک تر است؟



- ۶۵ Ohms, 0.3 k Ohms (۱)
- ۱۱۵ Ohms, 0.4 k Ohms (۲)
- ۱۱۵ Ohms, 0.3 k Ohms (۳)
- ۷۵ Ohms, 0.4 k Ohms (۴)

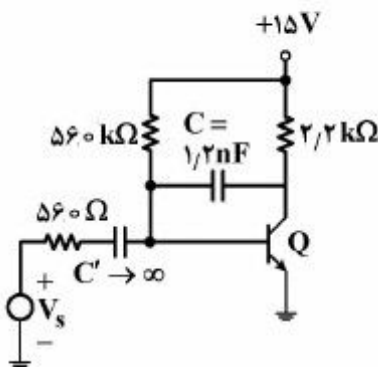
۱۳۰- در مدار شکل زیر مقدار مقاومت R_{in} تقریباً چند Ohms است؟



- $\beta = 10$
- $V_T = 25mV$
- $V_A = \infty$
- $V_{BE,on} = 0.7V$
- $V_{CE,sat} = 0.2V$

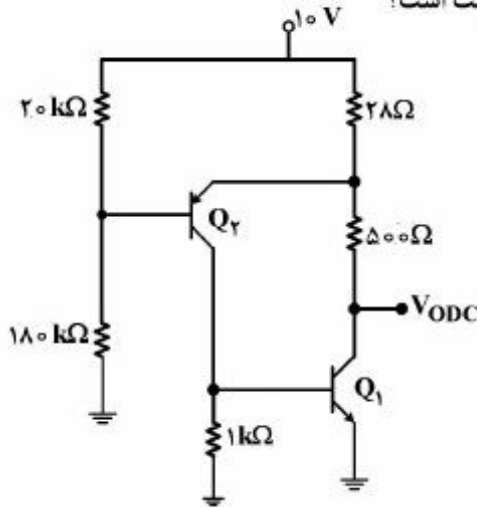
- ۹۰ (۱)
- ۱۵۰ (۲)
- ۸۱۰ (۳)
- ۱.۵k (۴)

۱۳۱- مطابق شکل زیر اگر $\beta = 150, V_{BE} = 0.6V, C_{\pi} = 15pF, C_{\mu} = 5pF$ باشد، فرکانس قطع بالا، $f_h(-3dB)$ ، چند هرتز است؟



- ۶۰۳۰ (۱)
- ۴۰۰۰ (۲)
- ۱۰۹۶ (۳)
- ۴۰۰ (۴)

۱۳۲- در مدار شکل زیر با صرف نظر از جریان های بیس، V_{ODC} چند ولت است؟



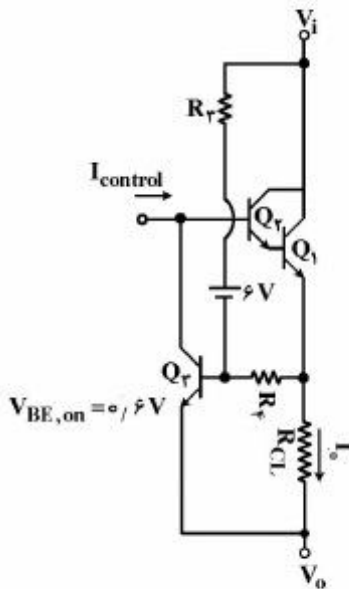
(۱) ۴/۱

(۲) ۴/۳۵

(۳) ۴/۷

(۴) ۵/۳

۱۳۳- مدار شکل زیر، بخش محدود کننده جریان از یک رگولاتور ولتاژ را نشان می دهد. با فرض $15V < V_i < 18V$ ، $R_p = R_f$ ، $R_{CL} = 2\Omega$ ، $V_o = 12V$ محدود کننده جریان ماکزیمم خروجی، کدام است؟



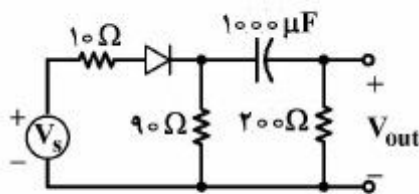
(۱) $I_L = 6.6A$ مستقل از V_i

(۲) $I_L = 9.2A$ مستقل از V_i

(۳) $V_i = 15V \Rightarrow I_L = 2.1A$ ، $V_i = 18V \Rightarrow I_L = 0.6A$

(۴) $V_i = 18V \Rightarrow I_L = 2.1A$ ، $V_i = 15V \Rightarrow I_L = 0.6A$

۱۳۴- در مدار شکل زیر، به ازای $V_s = (1/5 + 0.2 \sin(1000t)) V$ ، ولتاژ خروجی کدام است؟



$V_{D,on} = 0.7V$

$V_T = 26mV$

(۱) ۰

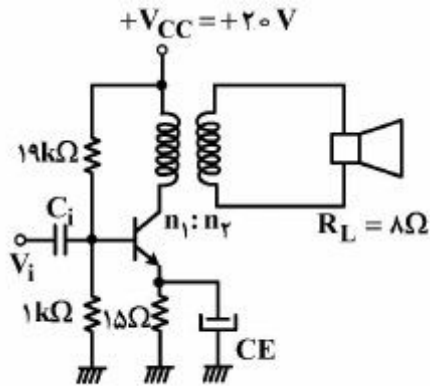
(۲) $(0.2 \sin(1000t))V$

(۳) $(1/5 + |0.2 \sin(1000t)|)V$

(۴) $(16.8 \sin(1000t))mV$

۱۳۵- در تقویت کننده شکل مقابل، با فرض $V_{BE} = 0.7V$ ، $V_{CE,sat} = 0.3V$ و $\beta \gg 1$ ، مقدار $\frac{n_1}{n_2}$ جهت کسب

ماکزیمم توان خروجی به کدام عدد نزدیکتر است؟



(۱) ۸/۷

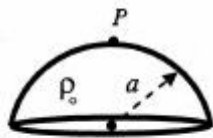
(۲) ۱۱

(۳) ۱۳/۶

(۴) ۲۲

۱۳۶- مطابق شکل، نیمکره‌ای به شعاع a دارای چگالی بار حجمی یکنواخت ρ_0 است. پتانسیل الکتریکی در نقطه P (قله

نیمکره)، کدام است؟



(۱) $\frac{\rho_0 a^2}{6\epsilon_0} \sqrt{2}$

(۲) $\frac{\rho_0 a^2}{6\epsilon_0} (\sqrt{2} + 1)$

(۳) $\frac{\rho_0 a^2}{4\epsilon_0} \left(\frac{5\sqrt{2}}{6} - 1 \right)$

(۴) $\frac{\rho_0 a^2}{4\epsilon_0} \left(\frac{4\sqrt{2}}{3} - 1 \right)$

۱۳۷- برای یک ماده دی‌الکتریک در مختصات استوانه‌ای بردار جابه‌جایی به صورت $\vec{B} = \gamma r \cos \varphi \hat{\phi} - \frac{\sin \varphi}{\gamma r} \hat{k}$ داده

شده است. شار عبوری میدان \vec{D} از یک ربع فرض واقع $z = 0$ به شعاع a و در ناحیه $0 \leq \varphi \leq \frac{\pi}{4}$ ، کدام است؟

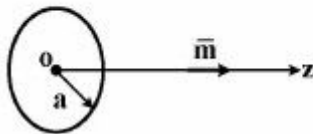
(۱) $-\frac{a}{3}$

(۲) $\frac{a}{3}$

(۳) $\frac{a}{2}$

(۴) $-\frac{a}{2}$

۱۳۸- دو قطبی مغناطیسی \vec{m} از بی‌نهایت دور روی محور یک حلقه هادی کامل در حرکت است. شعاع حلقه a و ضریب خود القایی حلقه L می‌باشد. با فرض آن‌که مقاومت اهمیک حلقه قابل صرف‌نظر کردن باشد در لحظه‌ای که مرکز دو قطبی مغناطیسی به فاصله $2a$ از مرکز حلقه باشد. جریان در حلقه، کدام است؟



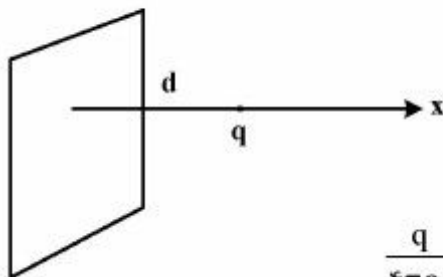
$$(1) \frac{\mu_0 m}{10\sqrt{5} a L}$$

$$(2) \frac{2\mu_0 m a}{5\sqrt{5} L}$$

$$(3) \frac{\mu_0 m}{10\sqrt{5} a L}$$

$$(4) \frac{9\mu_0 m a}{10\sqrt{5} L}$$

۱۳۹- مطابق شکل، بار الکتریکی q به فاصله d از یک صفحه بسیار بزرگ فلزی، قرار دارد. پتانسیل الکتریکی در فضای $x \geq 0$ ، کدام است؟



$$(1) \frac{q}{4\pi\epsilon_0} [(x+d)^2 + y^2 + z^2]^{-\frac{1}{2}}$$

$$(2) \frac{q}{4\pi\epsilon_0} [(x-d)^2 + y^2 + z^2]^{-\frac{1}{2}}$$

$$(3) \frac{q}{4\pi\epsilon_0} \left\{ \frac{1}{[(x+d)^2 + y^2 + z^2]^{\frac{1}{2}}} - \frac{1}{[(x-d)^2 + y^2 + z^2]^{\frac{1}{2}}} \right\}$$

$$(4) \frac{q}{4\pi\epsilon_0} \left\{ \frac{-1}{[(x+d)^2 + y^2 + z^2]^{\frac{1}{2}}} + \frac{1}{[(x-d)^2 + y^2 + z^2]^{\frac{1}{2}}} \right\}$$

۱۴۰- دو کره هم مرکز به شعاع‌های R_1 و R_2 به طوری که $(R_2 > R_1)$ مفروض است. پتانسیل بر سطح کره کوچک‌تر برابر صفر و پتانسیل بر سطح کره بزرگ‌تر $V(R_2, \theta) = V_0 \cos \theta$ است (V_0 مقدار ثابت است). پتانسیل در نقطه (r, θ) در ناحیه میان دو کره، کدام است؟

(مبدأ مختصات منطبق بر مرکز کره و محور z در امتداد یکی از قطرهای دو کره است.)

$$(1) \frac{V_0 R_2^2}{R_2^2 - R_1^2} \left(r - \frac{R_1^2}{r} \right) \cos \theta$$

$$(2) \frac{V_0 R_1^2}{R_2^2 - R_1^2} \left(r - \frac{R_2^2}{r} \right) \cos \theta$$

$$(3) \frac{V_0 R_1}{R_2^2 - R_1^2} \left(r - \frac{R_1^2}{r} \right) \sin \theta$$

$$(4) \frac{V_0 R_2}{R_2^2 - R_1^2} \left(r - \frac{R_2^2}{r} \right) \cos \theta$$

۱۴۱- کدام عبارت درست است؟ (با فرض این که میدان الکتریکی یک موج تخت به صورت $\vec{E}(\mathbf{r}, t) = E_p \hat{p} \cos(\omega t - \vec{k} \cdot \vec{r} - \varphi) + E_s \hat{s} \cos(\omega t - \vec{k} \cdot \vec{r})$ است.)

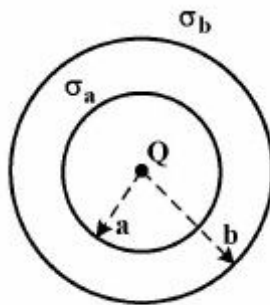
(۱) برای $E_p = E_s$ و $\varphi = -\frac{\pi}{4}$ قطبش موج دایروی است.

(۲) برای $E_s \neq E_p$ و $\varphi = -\frac{\pi}{4}$ قطبش خطی است.

(۳) برای $\varphi = \frac{\pi}{4}$ قطبش همواره دایروی است.

(۴) برای $E_s \neq E_p$ قطبش همواره خطی است.

۱۴۲- بار نقطه‌ای Q در مبدأ مختصات و بارهای سطحی با چگالی $\sigma_a = -\frac{Q}{\pi a^2}$ و $\sigma_b = \frac{Q}{4\pi b^2}$ به ترتیب بر روی سطوح کره‌ای $r = a$ و $r = b$ قرار دارند. پتانسیل الکتریکی در نقاط داخل کره $r = a$ کدام است؟ (پتانسیل در بی‌نهایت دور صفر است.)



$$\frac{Q}{4\pi\epsilon_0 r} \quad (۱)$$

$$\frac{Q}{4\pi\epsilon_0} \left(\frac{1}{r} + \frac{1}{a} + \frac{1}{b} \right) \quad (۲)$$

$$\frac{Q}{4\pi\epsilon_0} \left(\frac{1}{r} - \frac{4}{a} + \frac{1}{b} \right) \quad (۳)$$

$$\frac{Q}{4\pi\epsilon_0} \left(\frac{1}{r} - \frac{4}{a} + \frac{2}{b} \right) \quad (۴)$$

۱۴۳- صفحه $x + y = 3$ مرز مشترک دو محیط مغناطیسی است. در ناحیه $0 \leq x + y - 3$ مقدار $\mu_1 = 2\mu_0$ و در ناحیه $x + y > 3$ مقدار μ_2 چقدر باشد تا زاویه‌ای که بردار \vec{H}_2 با محور x ها می‌سازد برابر 90° گردد؟

$$0.4\mu_0 \quad (۱)$$

$$0.1\mu_0 \quad (۲)$$

$$4\mu_0 \quad (۳)$$

$$10\mu_0 \quad (۴)$$

۱۴۴- در دستگاه مختصات کره‌ای روی سطح مخروط $\theta = \frac{\pi}{3}$ در ناحیه $0 < r < a$ بار الکتریکی با چگالی سطحی

$\sigma(r) = re^{-r}$ کولن بر مترمربع توزیع شده است. پتانسیل در مبدأ مختصات، کدام است؟

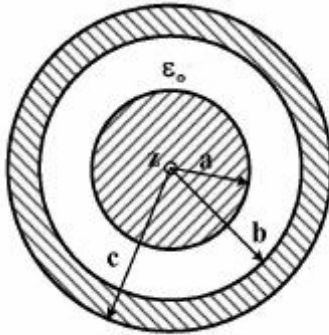
$$\frac{\sqrt{3}}{4\epsilon_0} [1 - e^{-a} - ae^{-a}] \quad (۱)$$

$$\frac{\sqrt{3}}{2\epsilon_0} [1 + e^{-a} + ae^{-a}] \quad (۲)$$

$$\frac{\sqrt{3}}{4\epsilon_0} e^{-a} (a + 1) \quad (۳)$$

$$\frac{\sqrt{3}}{2\epsilon_0} e^{-a} (a + 1) \quad (۴)$$

۱۴۵- سیم هم محوری به شعاع‌های هادی داخلی a ، داخلی شیلد b و خارجی شیلد c مطابق شکل در دست است. با فرض $b = \delta a$ و $c = \epsilon a$ و اینکه جریان الکتریکی I در هادی داخلی به بیرون و در هادی خارجی به طرف داخل برقرار است، بردار پتانسیل مغناطیسی این سیم در $r = a$ کدام است؟ (فرض کنید در $r = b$ ، $A_z = 0$ است.)



$$\frac{\mu_0 I}{\pi} \left[\frac{\lambda}{11} \ln \delta - \frac{\gamma \delta}{4} \right] \quad (1)$$

$$\frac{\mu_0 I}{11\pi} [\lambda \ln \delta - \epsilon] \quad (2)$$

$$\frac{\mu_0 I}{11\pi} [\lambda \ln \delta + \epsilon] \quad (3)$$

$$\frac{\mu_0 I}{\pi} \left[\frac{\lambda}{11} \ln \delta + \frac{\gamma \delta}{4} \right] \quad (4)$$

کلید اولیه آزمون کارشناسی ارشد ناپیوسته سال 1396

کلید اولیه آزمون کارشناسی ارشد ناپیوسته سال 1396

به اطلاع داوطلبان شرکت کننده در آزمون کارشناسی ارشد سال 1396 می‌رساند، این کلید اولیه غیر قابل استناد است و پس از دریافت نظرات داوطلبان و صاحب نظرات، کلید نهایی سوالات تهیه و بر اساس آن کارنامه داوطلبان استخراج خواهد شد. در صورت تمایل می‌توانید حداکثر تا تاریخ 1396/02/18 با مراجعه به سیستم پاسخگویی اینترنتی به نشانی request.sanjesh.org و تکمیل فرم اعتراض به کلید سوالات آزمون کارشناسی ارشد سال 1396 اقدام نمایید.
لازم به ذکر است نظرات داوطلبان فقط از طریق اینترنت دریافت خواهد شد و به موارد ارسالی از طریق دیگر رسیدگی نخواهد شد.

نوع دفترچه	نام رشته امتحانی	کد رشته امتحانی
A	نانوفناوری - نانومواد	1273

شماره سوال	گزینه صحیح	شماره سوال	گزینه صحیح	شماره سوال	گزینه صحیح	شماره سوال	گزینه صحیح	شماره سوال	گزینه صحیح
1	3	31	1	61	3	91	3	121	3
2	2	32	4	62	2	92	1	122	1
3	1	33	3	63	4	93	3	123	4
4	4	34	1	64	1	94	4	124	4
5	2	35	2	65	3	95	1	125	3
6	4	36	4	66	3	96	2	126	2
7	1	37	3	67	2	97	3	127	2
8	3	38	2	68	1	98	1	128	2
9	2	39	3	69	2	99	1	129	3
10	3	40	3	70	4	100	3	130	1
11	1	41	2	71	1	101	4	131	3
12	4	42	3	72	1	102	3	132	3
13	2	43	1	73	4	103	1	133	3
14	2	44	2	74	1	104	4	134	4
15	1	45	4	75	2	105	2	135	2
16	3	46	3	76	4	106	3	136	3
17	1	47	2	77	2	107	2	137	1
18	2	48	1	78	2	108	1	138	3
19	2	49	4	79	2	109	3	139	4
20	4	50	3	80	3	110	4	140	1
21	2	51	1	81	3	111	1	141	1
22	4	52	1	82	2	112	2	142	3
23	3	53	1	83	3	113	4	143	4
24	1	54	4	84	2	114	1	144	1
25	2	55	1	85	4	115	3	145	2
26	3	56	2	86	3	116	4		
27	2	57	2	87	2	117	4		
28	3	58	1	88	3	118	1		
29	1	59	4	89	2	119	2		
30	2	60	4	90	1	120	2		

خروج