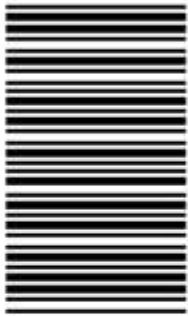


کد کنترل

858

A



858A

عصر پنجشنبه

۱۳۹۸/۳/۲۳



«اگر دانشگاه اصلاح شود مملکت اصلاح می‌شود.»
امام خمینی (ره)

جمهوری اسلامی ایران
وزارت علوم، تحقیقات و فناوری
سازمان سنجش آموزش کشور

آزمون ورودی دوره‌های کارشناسی ارشد ناپیوسته داخل - سال ۱۳۹۸

نانو فناوری - نانو مواد - کد (۱۲۷۳)

مدت پاسخ‌گویی: ۲۱۰ دقیقه

تعداد سؤال: ۱۶۵

عنوان مواد امتحانی، تعداد و شماره سؤالات

ردیف	مواد امتحانی	تعداد سؤال	از شماره	تا شماره
۱	زبان عمومی و تخصصی (انگلیسی)	۳۰	۱	۳۰
۲	ریاضیات مهندسی	۱۵	۳۱	۴۵
۳	شیمی کاربردی	۲۰	۴۶	۶۵
۴	فیزیک جدید	۲۰	۶۶	۸۵
۵	شیمی فیزیک و ترمودینامیک	۲۰	۸۶	۱۰۵
۶	خواص فیزیکی و مکانیکی مواد	۲۰	۱۰۶	۱۲۵
۷	پدیده‌های انتقال (انتقال جرم، مکانیک سیالات، انتقال حرارت)	۲۰	۱۲۶	۱۴۵
۸	الکترونیک (۲ا) و الکترومغناطیس مهندسی	۲۰	۱۴۶	۱۶۵

استفاده از ماشین حساب مجاز نیست.

این آزمون نمره منفی دارد.

حق چاپ، تکثیر و انتشار سؤالات به هر روش (الکترونیکی و...) پس از برگزاری آزمون، برای تمامی اشخاص حقیقی و حقوقی تنها با مجوز این سازمان مجاز می‌باشد و یا متخلین برابر مقررات رفتار می‌شود.

۱۳۹۸

* داوطلب گرامی، عدم درج مشخصات و امضا در مندرجات جدول ذیل، به منزله عدم حضور شما در جلسه آزمون است.

اینجانب با شماره داوطلبی با آگاهی کامل، یکسان بودن شماره صندلی خود را با شماره داوطلبی مندرج در بالای کارت ورود به جلسه، بالای پاسخنامه و دفترچه سؤالات، نوع و کد کنترل درج شده بر روی دفترچه سؤالات و پائین پاسخنامه را تأیید می‌نمایم.

امضا:

زبان عمومی و تخصصی (انگلیسی):

PART A: Vocabulary

Directions: Choose the word or phrase (1), (2), (3), or (4) that best completes each sentence. Then mark the answer on your answer sheet.

- 1- Some vegetarians are not just indifferent to meat; they have a/an ----- toward it.
1) immorality 2) tendency 3) antipathy 4) commitment
- 2- A recent study shows that the prevalence and sometimes misuse of cell phones and computers has led to a/an ----- in some people about the benefits of technology.
1) ambivalence 2) distinction 3) encouragement 4) compromise
- 3- My niece has a ----- imagination. She can turn a tree and a stick into a castle and a wand and spend hours in her fairy kingdom.
1) vacuous 2) vivid 3) cyclical 4) careless
- 4- The singer's mellifluous voice kept the audience ----- for two hours.
1) disputed 2) disregarded 3) frustrated 4) enchanted
- 5- His family, relatives, and friends still cling to the hope that Jeff will someday ----- himself from the destructive hole he now finds himself in.
1) evade 2) prevent 3) deprive 4) extricate
- 6- Logan has been working long hours, but that is no excuse for him to be ----- to customers.
1) ingenious 2) intimate 3) discourteous 4) redundant
- 7- Although he was found -----, he continued to assert that he was innocent and had been falsely indicted.
1) critical 2) guilty 3) problematic 4) gloomy
- 8- The old sailor's skin had become wrinkled and ----- from years of being out in the sun and the wind.
1) desiccated 2) emerged 3) intensified 4) exposed
- 9- The promoters conducted a survey to study the ----- of the project before investing their money in it.
1) impression 2) visibility 3) feasibility 4) preparation
- 10- That is too ----- an explanation for this strange phenomenon—I am sure there's something more complex at work.
1) simplistic 2) lengthy 3) profound 4) initial

PART B: Cloze Test

Directions: Read the following passage and decide which choice (1), (2), (3), or (4) best fits each space. Then mark the correct choice on your answer sheet.

Some researchers investigated the effect of listening to music by Mozart (11) ----- spatial reasoning, and the results were published in *Nature*. They gave research participants one of three standard tests of abstract spatial reasoning (12) ----- each of three listening conditions: the Sonata for Two Pianos in D major, K. 448 by Mozart, verbal relaxation instructions, and (13) ----- . They found a temporary enhancement of spatial-reasoning, (14) ----- spatial-reasoning subtasks of the Stanford-Binet IQ test. Rauscher et al. show that (15) ----- the music condition is only temporary.

- 11- 1) in 2) for 3) of 4) on
- 12- 1) having experienced 2) after they had experienced
3) to be experiencing 4) to experience
- 13- 1) silence 2) was silent 3) there was silent 4) of silence
- 14- 1) then measured 2) that was measured
3) as measured by 4) to be measuring
- 15- 1) the effect of the enhancement of
2) the enhancing effect of
3) enhances the effect of
4) is enhanced by

PART C: Reading Comprehension

Directions: Read the following three passages and answer the questions by choosing the best choice (1), (2), (3), or (4). Then mark the correct choice on your answer sheet.

PASSAGE 1:

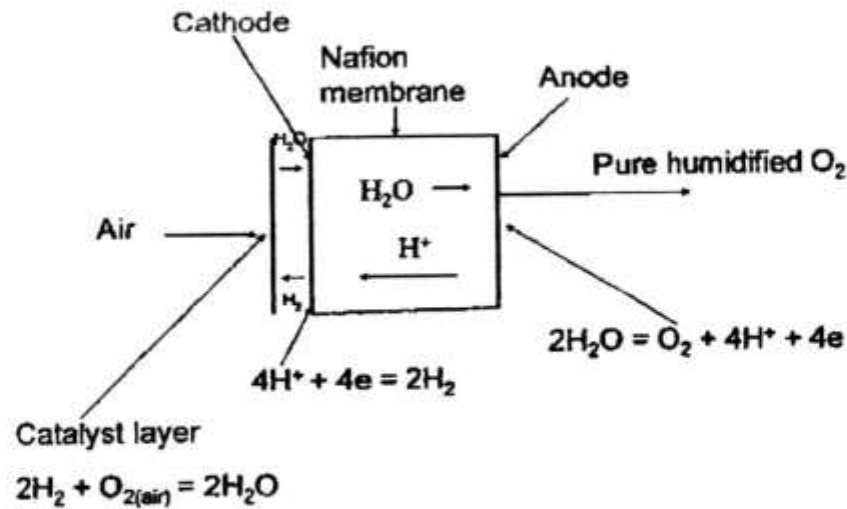
There are three main components to a lithium ion battery—two electrodes separated by an electrolyte layer. The positively charged electrode, or cathode, is typically made of a litigated metal oxide, such as lithium cobalt oxide. The negatively charged electrode, or anode, is usually made of graphite in commercial battery cells. When the battery is charging and electric current flows into it, lithium ions are released from the cathode, flow through the electrolyte and intercalate into the anode. When the battery is used to power an electronic device or vehicle, the current is discharged and lithium ions are released from the anode and flow through the electrolyte back to the cathode. The lithium ions continue to flow back and fourth through each charge-discharge cycle.

Lithium-ion batteries are built in a discharged state, with all the lithium in the cathode. When a battery is charged for the first time at the factory, the lithium ions leave the cathode, flow through the electrolyte, and go into the anode. As they start to intercalate into the graphite on the anode its electrochemical potential drops and the

cathode's potential increases. The potential energy difference between the cathode and the anode determines the battery's voltage.

As the lithium ions move into the graphite anode, and the anode's reduction potential decreases, the liquid electrolyte in the battery is not stable to the anode's reduction potential, so it partially decomposes. The product of this decomposition generates a very thin film at the surface boundary between the solid anode and liquid electrolyte solution. This film, which is only tens of nanometers thick, is referred to as the SEI. From that point forward, as the lithium ions go back and forth through the electrolyte into and out of the electrode materials during subsequent discharging and charging cycles, they also have to go through this SEI film. Over time, interphases continue to evolve and consume more electrolytes, which negatively affects battery performance. For example, the reason batteries from three to four years ago used to hold less charge the longer they were in use was the decreasing stability of the SEI films. The lifetime of the battery remains an issue, although the stability of SEI films has improved in recent years.

- 16- **At the discharged state, where are the lithium ions?**
1) Anode 2) Cathode 3) Graphite 4) Electrolyte
- 17- **What happens inside the battery when it is charged for the first time?**
1) Lithium ions react with graphite.
2) Lithium ions insert themselves into the graphite lattice.
3) Electrons flow from anode to cathode through the electrolyte.
4) Electrons are introduced to the anode from an external source.
- 18- **What is the difference between a charged battery and a discharged one?**
1) The electrochemical potential of the anode is lower in a charged battery.
2) In a charged battery, electrons have lower electrochemical potential.
3) Electrochemical potential of electrons is increased during the charging cycle.
4) In a charged battery, the anode is graphite, whereas in a discharged battery the anode is made of a lithiated metal oxide.
- 19- **What is the SEI?**
1) A new phase that forms on the anode surface when its potential is reduced.
2) A layer that generates partial decomposition of the electrolyte.
3) A very thin layer that encases the electrolyte.
4) Decomposition product of the electrolyte.
- 20- **Why does the performance of the battery deteriorate over time?**
1) Because lithium ions react with electrolyte.
2) Because the life time of the battery is an issue.
3) Because electrolyte is gradually used up to form interphases.
4) Because of the continuous consumption and evolution of interphases.

PASSAGE 2:

The presence of oxygen at the site of a wound can dramatically improve its chances of healing. With this in mind, Inotec AMD has developed an oxygen wound therapy system called Natrox, which is designed to promote healing.

The use of oxygen therapy to treat wounds is well known. However, existing techniques have some drawbacks. In many instances, oxygen is applied to the wound from a gas cylinder, which can be inconvenient and restrictive for the patient.

Methods also exist that do away with the need for oxygen cylinders, however these also have limitations. In some systems, a process of hydrolysis can generate oxygen. While this does not require an oxygen cylinder, a water reservoir is required, which can be bulky. This technique also produces hydrogen peroxide as a by-product, which is harmful to healthy cells and so can negatively affect the healing process.

The Natrox device is a portable oxygen concentrator and delivery system, which generates oxygen without the need for an oxygen cylinder or water reservoir and avoids the production of hydrogen peroxide. The electrochemical process shown in the diagram above achieves this.

The cell of the Natrox oxygen concentrator has a proton-conducting membrane, known as the Nafion membrane, which has an anode and cathode positioned on opposite sides. Water in the Nafion membrane, which is initially from the atmosphere, reacts at the anode to produce oxygen and at the cathode to produce hydrogen. Oxygen is continuously generated at the anode and is directed to the wound.

The hydrogen produced at the cathode passes through a diffusion layer to a catalyst layer, which is a sputtered layer of platinum at a density of 2mg/cm². Here, the hydrogen reacts with oxygen from the atmosphere to produce water, which travels back to the Nafion membrane for further electrolysis.

In the Natrox system, the oxygen concentrator is used together with a distributor, which takes the oxygen to the wound.

- 21- Which oxygen generating method would result in the generation of hydrogen peroxide?
- 1) An oxygen cylinder
 - 2) Electrolysis of water
 - 3) Hydrolysis of a bulky reservoir
 - 4) Healing a wound with oxygen
- 22- Which material is continuously cycled in Natrox?
- 1) Air
 - 2) Water
 - 3) Oxygen
 - 4) Hydrogen

- 23- **What is the difference between Natrox and other oxygen distributing methods mentioned in the text?**
- 1) The Natrox does not require electricity.
 - 2) The Natrox does not produce hydrogen peroxide.
 - 3) The Natrox does not need a portable oxygen source.
 - 4) The Natrox relies on an electrochemical reaction.
- 24- **Which material serves as a catalyst for reaction between hydrogen and oxygen?**
- 1) Platinum
 - 2) Oxygen
 - 3) A diffusion layer
 - 4) A sputtered layer with a density of 2 mg/cm^2
- 25- **Once the operation of Natrox starts, which part ensures the continuous supply of water should the device be taken to a dry climate?**
- | | |
|--------------------|-----------------------|
| 1) Anode | 2) Catalyst layer |
| 3) Nafion membrane | 4) Oxygen distributor |

PASSAGE 3:

Fusion power is a promising option for generating large amounts of carbon-free energy. Although still in development, several countries are working on projects to make fusion power stations a reality.

The process of fusion heats the sun and other stars. This involves the collision of atomic nuclei-deuterium and tritium, types of hydrogen – that causes the release of energy in the form of neutrons – helium. Obtaining energy from this process requires the formation of plasma, which is done by heating the nuclei to temperatures of over 100 million degrees Celsius. The resulting plasma is fragile with a density less than one million times that of air.

The fragility of the material means that it needs to be kept in a magnetic confinement system – a vessel that controls the plasma using magnetic fields in order to keep it from being contaminated and cooled by contact with material surfaces. In the case of the Wendelstein 7-X, the magnetic cage is a ring of 50 superconducting magnet coils around 3.5 meters high.

Scientists first discovered fusion in the 1930s, and in the 40s set about looking for ways to initiate and control reactions to produce energy. The technology was kept a secret at first as researchers thought it could have military applications. One such application came in the form of Ivy Mike, an experimental bomb dropped on the Pacific island of Elugelab in 1952, partly consisting of plutonium and a hydrogen tank. The explosion of the plutonium bomb heated the hydrogen to 150 million degrees Celsius, amounting to an explosion comparative with 10 megatons of TNT – 700 times as powerful as the Hiroshima bomb. The design was deemed non credible and has not been pursued since 1992.

The stellarator device was invented at Princeton University, USA, in 1951. Its basic concept was to create magnetic fields to allow particles to circulate around the long axis of the device following twisted paths. This would cancel out the instabilities seen in toroidal devices. The hope was that this would keep plasma confined long enough to heat it to the point of fusion.

Once fusion became public knowledge, a partnership developed between the USA and the former USSR in the early 1960s. With international collaboration, research into a major approach to fusion energy, inertial confinement fusion (ICF), was made possible. Proposed in 1961, a year after the invention of the laser, researchers intended to use large pluses of energy to reach the high temperatures needed to create energy from fusion. This approach was known as inertial confinement.

- 26- **What are deuterium and tritium?**
 1) Atomic nuclei
 2) Collision of atomic nuclei
 3) Different types of hydrogen
 4) The cause of energy release
- 27- **Why is the plasma confined?**
 1) Because it is so fragile
 2) To keep it away from other materials
 3) Because it is controlled by a magnetic field
 4) Because its density is much lower than air, while its temperature is so high
- 28- **What was Ivy Mike?**
 1) An application form
 2) A military application
 3) The name of a nuclear device
 4) A mechanism to control reactions to produce energy
- 29- **How is the particle retention time increased in the stellarator device?**
 1) By canceling instabilities
 2) By circulating the particles
 3) By twisting the particles in the paths
 4) By increasing the length of paths the particles move in
- 30- **How was the plasma heated in the ICF method?**
 1) By using large surges of energy
 2) By creating energy from fusion
 3) By reaching high temperatures
 4) By laser

ریاضیات مهندسی:

۳۱- اگر سری فوریه تابع $f(x) = \cos \frac{x}{2}$, $-\pi < x < \pi$ و $f(x + 2\pi) = f(x)$ به صورت $\frac{2}{\pi} + \sum_{n=1}^{\infty} \frac{4(-1)^{n+1}}{\pi(4n^2-1)} \cos(nx)$

باشد، حاصل سری $\sum_{n=1}^{\infty} \frac{1}{(2n-1)^2 - \frac{1}{4}}$ کدام است؟

- (۱) $\frac{1}{2}$
 (۲) $\frac{1}{4}$
 (۳) $\frac{\pi}{2}$
 (۴) $\frac{\pi}{4}$

۳۲- در معادله $\int_0^{\infty} f(t) \sin(tx) dt = \begin{cases} \cos \frac{x}{2} & 0 < x \leq \pi \\ 0 & x > \pi \end{cases}$ تابع $f(t)$ کدام است؟

(۱) $\frac{4(2t + \sin \pi t)}{\pi(4t^2 - 1)}$

(۲) $\frac{4(2t - \sin \pi t)}{\pi(4t^2 - 1)}$

(۳) $\frac{4 \sin \pi t}{\pi(4t^2 - 1)}$

(۴) $\frac{2 \sin \pi t}{\pi(4t^2 - 1)}$

۳۳- اگر $F_s \{f(x)\} = \frac{2}{1} \int_0^1 f(x) \sin\left(\frac{n\pi}{1} x\right) dx$ تبدیل فوریه سینوسی تابع $f(x)$ در فاصله $(-1, 1)$ باشد،

$F_s \{x + 4 \sin 3x + \sin x - 1\}$ به ازای $l = \pi$ و $n = 3$ ، کدام است؟

(۱) صفر

(۲) $\frac{\pi - 2}{3\pi}$

(۳) $\frac{7\pi - 2}{3\pi}$

(۴) $\frac{14\pi - 4}{3\pi}$

۳۴- مقدار $\int_0^{\infty} \frac{\cos 2x}{x^4 + 5x^2 + 4} dx$ کدام است؟

(۱) $\frac{\pi}{6}(2e^{-2} - e^{-4})$

(۲) $\frac{\pi}{6}(e^{-2} - 2e^{-4})$

(۳) $\frac{\pi}{12}(2e^{-2} - e^{-4})$

(۴) $\frac{\pi}{12}(e^{-2} - 2e^{-4})$

۳۵- فرض کنید $F(\omega) = \int_{-\infty}^{\infty} f(x)e^{-i\omega x} dx$ ، تبدیل فوریه تابع $f(x) = e^{-x} \cos(2x)u(x)$ باشد. $F(2)$ کدام است؟ ($u(x)$ تابع پله واحد است).

(۱) $\frac{9-2i}{17}$

(۲) $\frac{9+2i}{17}$

(۳) $\frac{7+6i}{17}$

(۴) $\frac{7-6i}{17}$

۳۶- اگر $u(x, t)$ جواب مسئله
$$\begin{cases} u_{tt} - u_{xx} = 0 & 0 < x < 1, t > 0 \\ u(x, 0) = 0, & 0 \leq x \leq 1 \\ u_t(x, 0) = x(1-x) & 0 \leq x \leq 1 \\ u_x(0, t) = u_x(1, t) = 0 & t \geq 0 \end{cases}$$
 باشد: $u(\frac{1}{4}, \frac{3}{4})$ کدام است؟

(۱) صفر

(۲) $\frac{1}{8}$

(۳) $\frac{1}{24}$

(۴) $-\frac{1}{24}$

۳۷- در کدام ناحیه از صفحه مختصات، معادله دیفرانسیل با مشتقات جزئی $4u_x = 0$ ، $2yu_{yy} + 2(x+y)u_{xy} - 2(x+x)u_{xx}$ ، بیضوی است؟

(۱) درون دایره‌ای به مرکز $(0, 1)$ و شعاع واحد

(۲) بیرون دایره‌ای به مرکز $(0, 1)$ و شعاع واحد

(۳) درون دایره‌ای به مرکز $(1, 0)$ و شعاع واحد

(۴) بیرون دایره‌ای به مرکز $(1, 0)$ و شعاع واحد

۳۸- فرض کنید $u(x,t) = \sum_{n=1}^{\infty} G_n(t) \sin nx$ ، جواب سری فوریه سینوسی مسئله گرمای زیر باشد. $G_3(t)$ کدام است؟

$$\begin{cases} u_t - 9u_{xx} = x & 0 < x < \pi \\ u(x,0) = 1 & 0 \leq x \leq \pi \\ u(0,t) = u(\pi,t) = 0, t \geq 0 \end{cases}$$

(۱) $\frac{324 + \pi}{243\pi} e^{-27t} + \frac{1}{243}$

(۲) $\frac{324 - \pi}{243\pi} e^{-27t} + \frac{1}{243}$

(۳) $\frac{324 + 2\pi}{243\pi} e^{-9t} + \frac{2}{243}$

(۴) $\frac{324 - 2\pi}{243\pi} e^{-9t} + \frac{2}{243}$

۳۹- جواب معادله دیفرانسیل $z_x - 4z_y = 0$ با شرط $z(0,y) = \lambda e^{-2y}$ ، کدام است؟

(۱) $z(x,y) = \lambda e^{-4x-2y}$

(۲) $z(x,y) = \lambda e^{4x-2y}$

(۳) $z(x,y) = \lambda e^{-12x-2y}$

(۴) $z(x,y) = \lambda e^{-12x+2y}$

۴۰- مقدار $\oint_{|z|=2} \tan z dz$ ، کدام است؟

(۱) $-4\pi i$

(۲) $2\pi i$

(۳) -4π

(۴) 2π

۴۱- مقدار انتگرال $\int_0^{\pi} (\cos x)^{40} dx$ ، کدام است؟

(۱) ۰

(۲) $\frac{40! \pi}{2^{40}}$

(۳) $\frac{40! \pi}{2^{40} (40!)^2}$

(۴) $\frac{40! \pi}{2^{41} (40!)^2}$

۴۲- جواب‌های معادله $\cos z = 2$ ، کدام است؟

(۱) $n\pi + i \ln(2 \pm \sqrt{3})$

(۲) $n\pi + i \ln(2 + \sqrt{3})$

(۳) $2n\pi + i \ln(2 + \sqrt{3})$

(۴) $2n\pi + i \ln(2 \pm \sqrt{3})$

۴۳- کدام تابع هارمونیک (همساز) است؟

(۱) $\frac{x-y}{x^2+y^2}$

(۲) $\frac{x^2+2y}{x^2+y^2}$

(۳) $\frac{x^2-y^2}{x^2+2y}$

(۴) $\frac{x^2+y^2}{x^2+2y}$

۴۴- نقش تصویر ناحیه محصور در دایره $(x-1)^2 + y^2 = 4$ توسط نگاشت $w = i + \frac{1}{z-1}$ ، کدام است؟ ($w = u + iv$)

(۱) $u^2 + (v+1)^2 \geq \frac{1}{4}$

(۲) $u^2 + (v-1)^2 \geq \frac{1}{4}$

(۳) $(u+1)^2 + v^2 \geq 4$

(۴) $(u-1)^2 + (v-1)^2 \geq 4$

۴۵- فرض کنید $f(z) = e^{(x^2-y^2)} \cos(2xy) + iv(x, y)$ تحلیلی باشد. مقدار $f'(1)$ کدام است؟

(۱) $-e$

(۲) e

(۳) $-2e$

(۴) $2e$

شیمی کاربردی:

۴۶- هوایی با درجه حرارت 50°C در رطوبت $y = 0.02 \text{ kg H}_2\text{O/kg dry air}$ تحت فشار ثابت آنقدر خنک شده که ۳۰٪ آب خود را از دست داده است. چند گرم آب به ازای ۱۰ کیلوگرم هوای خشک، مایع گردیده است؟

(۱) ۱۸۰

(۲) ۹۰

(۳) ۶۰

(۴) ۳۰

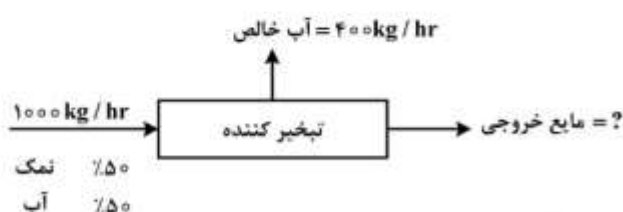
۴۷- در فرایند تبخیرکننده روبه‌رو، ترکیب مایع غلیظ خروجی کدام است؟

(۱) ۱۶/۶٪ آب و ۸۳/۳٪ نمک

(۲) ۱۵/۶٪ آب و ۸۴/۴٪ نمک

(۳) ۸۳/۳٪ آب و ۱۶/۶٪ نمک

(۴) ۸۴/۴٪ آب و ۱۵/۶٪ نمک



۴۸- مایعی با لزجت سینماتیک $10^{-6} \frac{\text{m}^2}{\text{s}}$ و با دبی حجمی $3/14 \times 10^{-3} \frac{\text{m}^3}{\text{s}}$ درون لوله‌ای به قطر 0.1 m جریان دارد.

عدد رینولدز برای این جریان کدام است؟

(۱) ۲۰۰۰۰

(۲) ۴۰۰۰۰

(۳) ۶۰۰۰۰

(۴) ۸۰۰۰۰

۴۹- در یک سیستم جداسازی بین گاز و مایع، مقاومت انتقال جرم عمدتاً در فاز مایع است. کدام مجاورکننده مناسب است؟

(۱) ستون آکنده

(۲) ستون سینی‌دار

(۳) ستون مجهز به مانع

(۴) مخازن مجهز به هم‌وزن

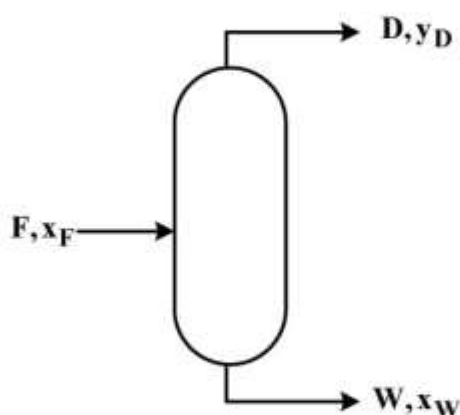
۵۰- در یک برج تبخیر ناگهانی به شکل زیر، معادله خط تبادلی (Operating Line) کدام است؟

$$\frac{W}{D} = \frac{y_D}{x_w} \quad (1)$$

$$-\frac{W}{D} = \frac{y_D}{x_w} \quad (2)$$

$$\frac{W}{D} = \frac{y_D - x_F}{x_w - x_F} \quad (3)$$

$$-\frac{W}{D} = \frac{y_D - x_F}{x_w - x_F} \quad (4)$$



۵۱- معادله خط انتقال جرم برای قسمت بالای برج تقطیر سینی دار با جریان برگشتی، به صورت $y = \frac{2}{3}x + 0.3$ است.

نسبت برگشتی (R) و ترکیب درصد مولی محصول بالای برج نسبت به جزء فرا (Z_D)، کدام است؟

$$(1) \quad Z_D = 0.95, R = 1$$

$$(2) \quad Z_D = 0.9, R = 1$$

$$(3) \quad Z_D = 0.9, R = 2$$

$$(4) \quad Z_D = 0.95, R = 2$$

۵۲- در مبدل‌های حرارتی دو لوله‌ای، ضریب انتقال حرارت کلی بر مبنای سطح داخلی (u_i) چه ارتباطی با همین ضریب بر مبنای سطح خارجی (u_o) دارد؟

$$(1) \quad u_i < u_o$$

$$(2) \quad u_i = u_o$$

$$(3) \quad u_i A_i = u_o A_o$$

$$(4) \quad \frac{u_i}{A_i} = \frac{u_o}{A_o}$$

۵۳- در چه حالتی ضریب کلی انتقال حرارت (u) با ضرایب فردی انتقال حرارت (h) در دو منطقه مجاور هم، رابطه

$$\frac{1}{u} = \frac{1}{h_i} + \frac{1}{h_o}$$

را دارند؟

(۱) درجه حرارت در هر دو منطقه مجاور یکسان باشد.

(۲) تفاوت درجه حرارت دو منطقه مجاور کم باشد.

(۳) تفاوت درجه حرارت دو منطقه مجاور زیاد باشد.

(۴) مقاومت دیواره بین دو منطقه ناچیز فرض شود.

۵۴- مقدار BOD یک فاضلاب صنعتی $500 \frac{mg}{lit}$ است. BOD پنج روز، چند میلی‌گرم در لیتر است؟

(ثابت سرعت (k) در $20^\circ C$ برابر $0.2 d^{-1}$ است.)

$$(1) \quad 550$$

$$(2) \quad 450$$

$$(3) \quad 300$$

$$(4) \quad 250$$

۵۵- برای اکسید کردن Fe^{2+} به Fe^{3+} توسط اکسیژن، برای هر ppm از آهن چند ppm اکسیژن (O_2) لازم است؟

$$O = 16$$

$$Fe = 56$$

$$(1) \quad 0.71$$

$$(2) \quad 1.43$$

$$(3) \quad 2.85$$

$$(4) \quad 56$$

۵۶- مقادیر کلسیم، منیزیم، سدیم و پتاسیم در یک نمونه آب کشاورزی به ترتیب ۱۲۰، ۲۴، ۵۷۶ و ۳۹ میلی‌گرم در لیتر

است. کدام گزینه مقدار SAR (نسبت جذب سطحی سدیم) و کیفیت آب را برای مصارف کشاورزی نشان می‌دهد؟

$$(1) \quad ۸ - متوسط$$

$$(2) \quad ۱۳ - خوب$$

$$(3) \quad ۲۰ - عالی$$

$$(4) \quad ۲۹ - نامطلوب$$

۵۷- قلیائیت آب بر کدام ویژگی آن بیشترین تأثیر را دارد؟

$$(1) \quad pH \quad (2) \quad سختی آب \quad (3) \quad خنثایی الکتریکی \quad (4) \quad بافری بودن$$

۵۸- نمونه آبی دارای ۷۵ میلی گرم در لیتر کاتیون کلسیم و ۲۴ میلی گرم در لیتر کاتیون منیزیم است. سختی کل بر حسب کربنات کلسیم کدام است؟

$$Ca = ۴۰$$

$$Mg = ۲۴$$

(۱) ۹۹

(۲) ۱۹۸

(۳) ۲۷۵

(۴) ۳۰۰

۵۹- حجم لجنی پس از ته نشینی در یک سیلندر ۱ لیتری برابر ۸۰ میلی لیتر و غلظت مواد معلق مایع مخلوط (MLSS) $\frac{mg}{lit}$ ۱۶۰۰ است. اندیس لجن (SVI) کدام است؟

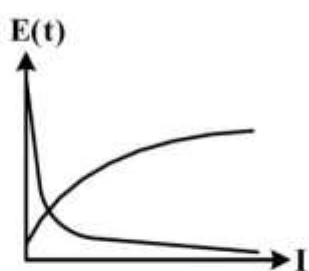
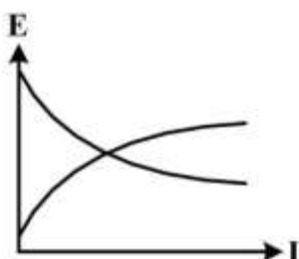
(۱) ۱۲۰

(۲) ۱۰۰

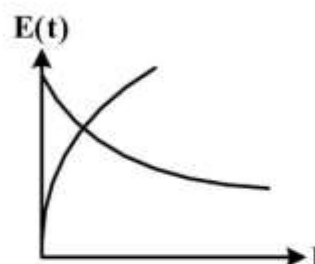
(۳) ۵۰

(۴) ۲۰

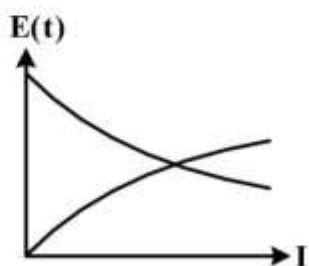
۶۰- منحنی E/I روبه‌رو مربوط به فلز M در محیط آب است. با افزایش یک بازدارنده آندی، منحنی مذکور به کدام حالت تغییر می‌یابد؟



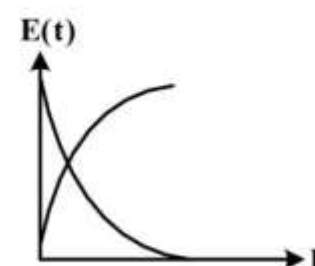
(۲)



(۱)



(۴)



(۳)

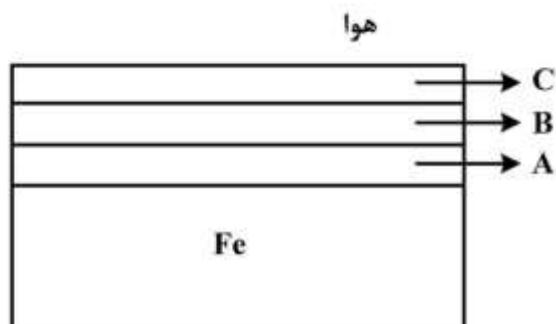
۶۱- ترتیب چگالی جریان اعمال شده به یک فلز در روش حفاظت کاتدی با جریان تحمیل شده در محیط‌های مختلف، کدام است؟

- (۱) آب متلاطم دریا < آب راکد دریا < خاک < آب شیرین
- (۲) آب راکد دریا < آب شیرین < خاک < آب متلاطم دریا
- (۳) آب متلاطم دریا < آب راکد دریا < آب شیرین < خاک
- (۴) چگالی جریان تحمیلی به شرایط محیطی فلز ارتباطی ندارد.

۶۲- حضور مقادیر قابل توجه از ذرات دوده در اتمسفر شهری و رسوب‌گذاری آن در سطح فلزات، بیشتر از همه، موجب فعال شدن کدام مکانیسم از خوردگی خواهد شد؟

- (۱) خوردگی رسوبی
- (۲) خوردگی گالوانی
- (۳) خوردگی شکافی
- (۴) خوردگی جریان هرز

۶۳- شکل زیر لایه‌های مختلف حاصل از خوردگی در اتمسفر خشک و دمای بالا را بر روی فلز آهن نشان می‌دهد. ترتیب قرارگیری لایه‌ها، کدام حالت خواهد بود؟



- (۱) FeO : A Fe_۳O_۴ : B Fe_۲O_۳ : C
- (۲) Fe_۲O_۳ : A Fe_۳O_۴ : B FeO : C
- (۳) FeO : A Fe_۲O_۳ : B Fe_۳O_۴ : C
- (۴) Fe_۲O_۳ : A Fe_۳O_۴ : B Fe_۲O_۳ : C

۶۴- شرایط مطلوب برای خوردگی میکروبی در خاک کدام است؟

- (۱) pH خنثی تا قلیایی
- (۲) دمای زیر ۴°C
- (۳) حضور مواد آلی در خاک
- (۴) همه موارد صحیح است.

۶۵- فلزات A, B و C به ترتیب دارای پتانسیل $-۰/۳۵V$, $۱/۲۵V$ و $-۰/۵۵V$ هستند. اگر الکترولیتی حاوی یون‌های فلزات فوق تهیه شده و الکترودی از جنس فلز C درون آن غوطه‌ور گردد، چه اتفاقی خواهد افتاد؟

- (۱) C وارد محلول می‌شود، B و A رسوب می‌کنند.
- (۲) C وارد محلول می‌شود و B رسوب می‌کند.
- (۳) A و B روی C رسوب می‌کنند.
- (۴) B و C روی A رسوب می‌کنند.

فیزیک جدید:

۶۶- انرژی کل ذره‌ای آزاد با جرم سکون m_0 شش برابر جرم سکون آن است. تندی این ذره چند برابر سرعت نور در خلأ است؟

(۱) $\frac{1}{6}$

(۲) $\frac{2}{3}$

(۳) $\frac{5}{6}$

(۴) $\frac{\sqrt{35}}{6}$

۶۷- انرژی جرم سکون یک الکترون کدام است؟ ($m_e = 9.1 \times 10^{-31} \text{ kg}$)

(۱) 0.51 keV

(۲) 0.51 MeV

(۳) 2.04 keV

(۴) 1.02 MeV

۶۸- یک کشتی فضایی با تندی $0.8C$ در حال دور شدن از زمین است. این کشتی فضایی امواج الکترومغناطیسی را با فرکانس 72 MHz به زمین ارسال می‌کند. آشکارسازی ساکن روی زمین این امواج را با چه فرکانسی بر حسب MHz دریافت می‌کند؟ (C تندی نور در خلأ است.)

(۱) ۸

(۲) ۱۸

(۳) ۲۴

(۴) ۳۶

۶۹- سرعت یک سفینه فضایی نسبت به زمین $0.5C$ است. این سفینه یک پالس امواج رادیویی گسیل می‌کند. سرعت این امواج نسبت به ناظر ساکن روی زمین چقدر است؟ (C تندی نور در خلأ است.)

(۱) $0.5C$

(۲) $0.87C$

(۳) $0.9C$

(۴) C

۷۰- با توجه به رابطه عدم قطعیت $\Delta x \Delta p \geq \frac{h}{4\pi}$ ، حداقل عدم قطعیت در مکان فوتونی با طول موج 5000 \AA کدام است؟ (طول موج تا دقت یک قسمت در میلیارد اندازه‌گیری شده است.)

(۱) 40 mm

(۲) 40 cm

(۳) 40 m

(۴) 400 m

- ۷۱- دو رویداد A و B نسبت به ناظر S به ترتیب در $x_A = 0$ و $x_B = 50 \text{ m}$ به طور همزمان رخ می‌دهند. ناظر S' با تندی $\frac{1}{5}$ نور در خلاف جهت منفی محور x در حرکت است. از لحاظ ترتیب زمانی این دو حادثه را چگونه می‌بیند؟
 (۱) دو رویداد را همزمان می‌بیند.
 (۲) رویداد A را دیرتر از رویداد B می‌بیند.
 (۳) رویداد B را دیرتر از رویداد A می‌بیند.
 (۴) به موقعیت ناظر در قسمت مثبت یا منفی محور x ها بستگی دارد.
- ۷۲- در یک آزمایش کامپتون، پرتوهای ایکس با طول موج 0.4 \AA با الکترون‌های آزاد برخورد کرده و با زاویه 60° نسبت به راستای اولیه پراکنده می‌شوند. انرژی فوتون پس از برخورد چگونه تغییر می‌کند؟ ($hc = 1240 \text{ eV.nm}$)
 (۱) 950 eV کاهش می‌یابد.
 (۲) 1900 eV کاهش می‌یابد.
 (۳) 950 eV افزایش می‌یابد.
 (۴) 1900 eV افزایش می‌یابد.
- ۷۳- یک کیلوگرم دوتریون توسط واکنش همجوشی ${}^2\text{H} + {}^2\text{H} \rightarrow {}^3\text{He} + n$ ($Q = 3.3 \text{ MeV}$) یک لامپ 100 W را چند سال می‌تواند روشن نگاه دارد؟ (جرم مولی ${}^2\text{H}$ برابر 2 g و عدد آووگادرو 6×10^{23} فرض شود).
 (۱) 500
 (۲) 2.5×10^4
 (۳) 2.5×10^6
 (۴) 5×10^{12}
- ۷۴- در آزمایش فوتوالکتریک وقتی انرژی جنبشی بیشینه فوتوالکترون‌ها صفر است، فرکانس نور تابشی نسبت به فرکانس آستانه چگونه است؟
 (۱) بزرگ‌تر است.
 (۲) کوچک‌تر است.
 (۳) با هم مساویند.
 (۴) به جنس فلز هدف بستگی دارد.
- ۷۵- کدام عبارت در مورد پرتوهای ایکس نادرست است؟
 (۱) این پرتوها می‌توانند زوج الکترون - پوزیترون تولید کنند.
 (۲) از نوع امواج الکترومغناطیسی با طول موج‌هایی از مرتبه بزرگی یک آنگستروم هستند.
 (۳) طیف پرتوهای ایکس تولیدشده از یک هدف یک نمودار پیوسته است که دارای قله‌هایی تیز است.
 (۴) معمولاً این پرتوها با بمباران یک هدف فلزی به وسیله یک باریکه پر انرژی از الکترون‌ها تولید می‌شوند.
- ۷۶- برای آن که در یک میدان مغناطیسی ثابت با شدت 0.4 T ، اسپین پروتون از حالت هم جهت با میدان به حالت مخالف جهت میدان تغییر کند، از امواج رادیویی با چه فرکانسی باید استفاده کرد؟ (ممان مغناطیسی پروتون در امتداد میدان مغناطیسی برابر $\frac{J}{T} = 1.4 \times 10^{-26}$ است)
 (۱) 17 MHz
 (۲) 17 kHz
 (۳) 8.5 MHz
 (۴) 8.5 kHz
- ۷۷- به کدام پدیده به عنوان تأییدگری بر تکانه خطی داشتن نور استناد می‌شود؟
 (۱) تابش جسم سیاه
 (۲) حرکت براونی
 (۳) فوتوالکتریک
 (۴) کامپتون

۷۸- در آزمایش رادرفورد، مشاهده چه پدیده‌ای ناقض مدل اتمی تامسون و اثبات وجود یک هسته، در ابعاد بسیار کوچک در مرکز اتم بود؟

- (۱) پراکندگی اکثریت ذرات آلفا در امتداد و جهت اولیه
- (۲) انحراف برخی از ذرات آلفا تحت زوایای بزرگ
- (۳) جذب برخی از ذرات آلفا توسط ورقه طلا
- (۴) برخورد ذرات آلفا با صفحه فلورسنت

۷۹- اگر دمای یک جسم سیاه بر حسب کلونین سه برابر شود، فرکانس بیشینه در طیف تابشی و شدت تابش کل از آن به ترتیب از راست به چپ چند برابر می‌شود؟

- (۱) $9, \frac{1}{\sqrt{3}}$
- (۲) $9, \sqrt{3}$
- (۳) $81, \frac{1}{3}$
- (۴) $81, 3$

۸۰- کدام عبارت جزو فرض‌های نظریه بور در مورد اتم هیدروژن نبود؟ (h ثابت پلانک است.)

- (۱) الکترون در حین حرکت در هر یک از مدارهای مجاز داخل اتم امواج الکترومغناطیسی تابش نمی‌کند.
- (۲) الکترون به صورت موج داخل اتم است که طول موج آن مقادیر گسسته اختیار می‌کند.
- (۳) دینامیک الکترون داخل اتم براساس قوانین نیوتن انجام می‌شود.
- (۴) تکانه زاویه‌ای مداری الکترون داخل اتم، مضربی صحیح از $\frac{h}{2\pi}$ است.

۸۱- آزمایش فرانک - هرتز، در سال ۱۹۱۵، مؤید چه واقعیتی بوده است؟

- (۱) وجود اشعه کاتودیک
- (۲) تحریک الکتریکی اتم و تولید نور
- (۳) وجود سطوح انرژی مجزا در اتم
- (۴) ارتباط بین فرکانس و انرژی یک فوتون

۸۲- اصل طرد پائولی در کدام مجموعه از ذرات همواره برقرار است؟

- (۱) الکترون‌ها
- (۲) ذرات اسپین‌دار
- (۳) ذرات بدون اسپین
- (۴) فوتون‌ها و الکترون‌ها

۸۳- الکترونی در اولین حالت برانگیخته یک چاه مربعی بی‌نهایت به طول $L_x = L_y = 5\text{nm}$ قرار دارد. طول موج فوتونی که در گذار الکترون به حالت پایه این چاه گسیل می‌شود، چقدر است؟

- (۱) 0.92nm
- (۲) $9.2\mu\text{m}$
- (۳) 2.75nm
- (۴) $27.5\mu\text{m}$

۸۴- انرژی فرمی مس 7eV است. تندی فرمی مس کدام است؟ (جرم الکترون $9.1 \times 10^{-31}\text{ kg}$ و بار الکترون $1.6 \times 10^{-19}\text{ C}$ است.)

$$(1) \frac{\text{km}}{\text{s}} 1570$$

$$(2) \frac{\text{km}}{\text{s}} 1100$$

$$(3) \frac{\text{m}}{\text{s}} 11$$

$$(4) \frac{\text{m}}{\text{s}} 157$$

۸۵- در یک کریستال خاص بالاترین نوار انرژی پر است. این کریستال نسبت به نورهای با طول موجهای بزرگتر از 300 nm شفاف و نسبت به طول موجهای کوچکتر از آن کدر است. گاف انرژی میان این نوار انرژی پر و اولین

نوار انرژی خالی بالاتر از آن چند الکترون ولت است؟ ($h = 6.63 \times 10^{-34}\text{ J.s}$)

$$(1) 2.1$$

$$(2) 4.1$$

$$(3) 6.2$$

$$(4) 12.4$$

شیمی فیزیک و ترمودینامیک:

۸۶- کدام مورد کارایی موتور حرارتی را بیشتر افزایش می دهد؟

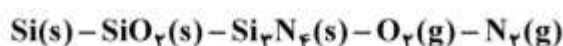
(۱) افزایش به اندازه ΔT در دمای منبع گرم

(۲) افزایش به اندازه ΔT در دمای منبع سرد

(۳) کاهش به اندازه ΔT در دمای منبع سرد

(۴) کاهش به اندازه ΔT در دمای منبع گرم

۸۷- در دمای ثابت 1000 K سیستم زیر در تعادل است.



تعداد درجات آزادی سیستم کدام است؟

$$(1) 0$$

$$(2) 1$$

$$(3) 2$$

$$(4) 3$$

۸۸- مقدار نسبت α (ضریب انبساط حرارتی) به β (ضریب تراکم پذیری) برای گاز ایدئال کدام است؟

$$(1) \frac{R}{T}$$

$$(2) \frac{R}{P}$$

$$(3) \frac{P}{T}$$

$$(4) \frac{T}{P}$$

۸۹- به یک مول گاز ایدئال به میزان 210 cal در حجم ثابت گرما داده می‌شود. تغییرات انتالپی چند cal است؟

$$C_v = 1.5R, R = 2 \frac{\text{cal}}{\text{mole.K}}$$

(۱) $+150$

(۲) $+200$

(۳) $+250$

(۴) $+350$

۹۰- گاز کامل با فشار P_1 و درجه حرارت T_1 و حجم V_1 تا حجم V_2 یک‌بار به صورت (a) هم‌دمای برگشت‌پذیر و بار دیگر به صورت (b) آدیاباتیکی برگشت‌پذیر، متراکم می‌شود. کدام مورد درست است؟

(۱) $W_a > W_b - p_2 a > p_2 b$

(۲) $W_a < W_b - p_2 a < p_2 b$

(۳) $W_a > W_b - p_2 a < p_2 b$

(۴) $W_a < W_b - p_2 a > p_2 b$

۹۱- دو مول گاز تک‌اتمی در دمای 298 K و فشار 3 atm قرار دارد. اگر ناگهان این گاز در یک مسیر آدیاباتیکی به فشار 10 atm منبسط شود، دمای نهایی گاز چند کلون است؟

(کار انجام شده در این تحول 500 کالری است و $R = 2 \frac{\text{cal}}{\text{mole.K}}$)

(۱) 200

(۲) 214

(۳) 236

(۴) 400

۹۲- دو مول گاز کامل را یک سیستم ترمودینامیکی فرض کنید. در یک تحول، حجم سیستم برای غلبه بر خلأ دو برابر شده است. مقادیر تغییر انرژی داخلی (ΔU)، تغییر دما (ΔT) و تغییر آنترופی (ΔS) سیستم در این تحول به ترتیب کدام است؟

$$R = 2 \frac{\text{cal}}{\text{mole.K}}$$

(۱) $4 \ln 2, 0, 0$

(۲) $2 \ln 2, 0.5, 0$

(۳) $0, 0, 0.5$

(۴) $2 \ln 2, 0.5, 2$

۹۳- هرگاه یک گاز ایدئال در دمای ثابت متراکم شود، کدام عبارت صحیح است؟

(۱) آنترופی کاهش و انتالپی افزایش می‌یابد. (۲) انرژی داخلی ثابت می‌ماند و انتالپی کاهش می‌یابد.

(۳) آنترופی، انتالپی و انرژی داخلی کاهش می‌یابند. (۴) آنترופی کاهش می‌یابد و انرژی داخلی ثابت می‌ماند.

۹۴- در اثر مصرف یک مول A در واکنش زیر و دادن حرارت حاصل به C، چند مول C جامد با آنتالپی ذوب شدن



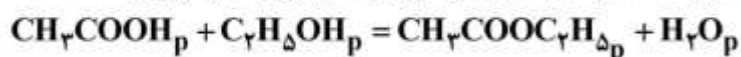
(۱) ۱

(۲) ۲

(۳) ۲/۵

(۴) ۴

۹۵- یک مول اسید استیک و یک مول اتانول در دمای 27°C با هم مخلوط و طبق واکنش زیر با هم ترکیب شده‌اند.



در ترکیب نهایی ۰/۶ مول اسیداستیک باقی مانده است. ضریب تعادل بر مبنای کسر مولی K_x با فرض ایدئال بودن محلول کدام است؟

(۱) ۰/۱۶

(۲) ۰/۳۶

(۳) ۰/۴۴

(۴) ۱

۹۶- فشار یک مول گاز ایدئال به صورت بازگشتناپذیر در دمای 27°C از فشار یک اتمسفر به فشار ۰/۱ اتمسفر

کاهش یافته است. تغییرات انرژی آزاد گیبس در این فرایند بازگشتناپذیر چند $\frac{\text{cal}}{\text{mol}}$ است؟

(۱) -۱۳۸۰

(۲) ۱۳۸۰

(۳) ۲۷۶۰

(۴) -۲۷۶۰

۹۷- برای انجام واکنش $\text{CH}_4 + \text{H}_2\text{O} = \text{CO} + 3\text{H}_2$ $\Delta G^\circ = 203420 - 22/25T \ln T - 77/11T$ درجه حرارت،

فشار کل گاز به ترتیب باید چگونه تغییر کند؟

(۱) بیشتر، بیشتر (۲) بیشتر، کمتر (۳) کمتر، بیشتر (۴) کمتر، کمتر

۹۸- تغییرات انرژی آزاد گیبس فرایند خاصی در فشار ثابت از رابطه زیر تبعیت می‌کند. مقدار تغییرات آنتالپی چند

ژول است؟

$$\Delta G(j) = -73 + 42T + 5T^2$$

(۱) -۷۳

(۲) $-73 + 5T^2$ (۳) $-73 - 5T^2$ (۴) $+73 + 5T^2$

۹۹- رابطه ثابت تعادل با دما برای یک واکنش به شکل زیر است. رابطه آنتالپی با دما برای این واکنش کدام است؟

$$\ln K = \frac{-17660}{T} - 882 \ln T + 6 \times 10^{-3} T - \frac{D}{R}$$

$$\Delta H = -17660 R + 882 RT - 6 \times 10^{-3} RT^2 \quad (1)$$

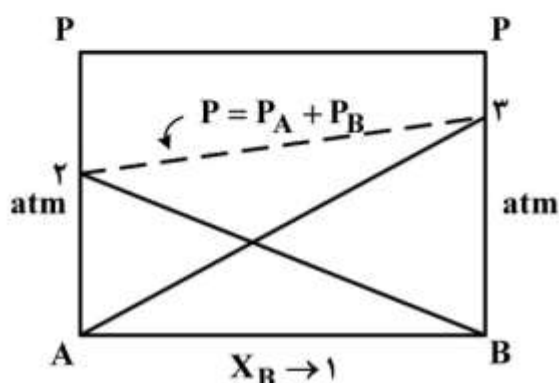
$$\Delta H = +17660 RT - 882 RT^2 + 6 \times 10^{-3} RT \quad (2)$$

$$\Delta H = -17660 RT^2 + 882 RT - 6 \times 10^{-3} R \quad (3)$$

$$\Delta H = 17660 R - 882 RT + 6 \times 10^{-3} RT^2 \quad (4)$$

۱۰۰- نمودار فشار بخار محلول و فشارهای جزئی A و B بر حسب ترکیب شیمیایی محلول به صورت زیر است.

در صورتی که ترکیب شیمیایی محلول حاوی ۵۰٪ A باشد، اکتیویته جزء A و B در محلول کدام است؟



$$a_B = 0.5, a_A = 0.5 \quad (1)$$

$$a_B = 0.6, a_A = 0.4 \quad (2)$$

$$a_B = 0.4, a_A = 0.6 \quad (3)$$

$$a_B = 0.16, a_A = 0.25 \quad (4)$$

۱۰۱- آلیاژهای جامد A-B در دمای ۱۲۰۰K رفتار محلول با قاعده (Regular) نشان می‌دهند. برای آلیاژ جامد

A - B حاوی ۴۰ درصد مولی B در دمای فوق می‌توان نوشت:

$$\frac{\Delta H^M}{\Delta \bar{H}_B^M} = \frac{2}{3}$$

کدام گزینه در مورد آلیاژ A - B حاوی ۷۵ درصد مولی B، در دمای فوق صحیح است؟

$$G^{XS} = \frac{2}{3} \Delta \bar{H}_B^M \quad (1)$$

$$G^{XS} = \frac{3}{2} \Delta \bar{H}_B^M \quad (2)$$

$$G^{XS} = 2 \Delta \bar{H}_B^M \quad (3)$$

$$G^{XS} = 3 \Delta \bar{H}_B^M \quad (4)$$

۱۰۲- عبارت $\left(\frac{\partial S}{\partial V}\right)_P$ معادل کدام مورد است؟

α : ضریب انبساط پذیری

β : ضریب تراکم پذیری

$$\frac{T\beta P}{CP} \quad (۲) \qquad \frac{CP}{T\alpha V} \quad (۱)$$

$$\frac{T\beta V}{CV} \quad (۴) \qquad \frac{T\alpha V}{CV} \quad (۳)$$

۱۰۳- یک مول گاز ایدئال درون یک سیلندر مجهز به پیستون بدون اصطکاک و وزن قرار دارد. این گاز از فشار اولیه ۱۰

اتمسفر و دمای $100^\circ C$ پی در پی تحت تحول‌های زیر قرار می‌گیرد.

الف) دمای گاز در حجم ثابت به $5^\circ C$ کاهش می‌یابد.

ب) گاز به طور فشار ثابت تا $300^\circ C$ منبسط می‌شود.

ج) این گاز به طور آدیاباتیکی متراکم می‌شود و دمای آن تا $400^\circ C$ افزایش پیدا می‌کند.

د) گاز به طور دما ثابت تا فشار 20 atm متراکم می‌شود.

تغییر انرژی داخلی گاز چند ژول است؟

$$298 \quad (۱) \qquad 900 \quad (۲) \qquad 2494/۲ \quad (۳) \qquad 3741/۳ \quad (۴)$$

۱۰۴- چنانچه در یک محلول رقیق، ضریب اکتیویته ماده حل شده ثابت باشد، اکتیویته حلال کدام است؟

(۱) کسر مولی ماده حل شده

(۲) کسر مولی ماده حلال

(۳) ضریب اکتیویته ماده حلال

(۴) ضریب اکتیویته ماده حل شده

۱۰۵- در یک محلول با قاعده $Au - Cu$ مقدار انرژی آزاد اضافی برابر است با $G^{XS} = -28280 X_{Au} X_{Cu}$ و

$\gamma_{Cu} = 0.5$ ، مقدار انرژی آزاد مولار اضافی مس در $600 K$ بر حسب کالری بر مول کدام است؟

$$R \approx 2 \frac{\text{cal}}{\text{mole.K}}$$

$$-150 \ln 2 \quad (۱)$$

$$-150 \ln 4 \quad (۲)$$

$$-1200 \ln 2 \quad (۳)$$

$$-300 \ln 2 \quad (۴)$$

خواص فیزیکی و مکانیکی مواد:

۱۰۶- فاصله صفحات بلوری (۱۱۰۰) در یک شبکه بلوری HCP آرمانی با شعاع اتمی r کدام است؟

(۱) r

(۲) $\frac{r}{2}$

(۳) $r\sqrt{2}$

(۴) $r\sqrt{3}$

۱۰۷- در یک ساختمان بلوری مکعبی (BCC)، خانواده صفحات $\{321\}$ چند عضو دارد؟

(۱) ۴۸

(۲) ۳۶

(۳) ۲۴

(۴) ۱۲

۱۰۸- نسبت شعاع بزرگترین اتم بین‌نشین به شعاع اتمی اصلی که می‌تواند بدون ایجاد هیچ‌گونه اعوجاج در فضای بین‌نشین هشت وجهی یک بلور BCC استقرار یابد، کدام است؟

(۱) $\frac{\sqrt{3}-1}{2}$

(۲) $\frac{\sqrt{3}-\sqrt{2}}{2}$

(۳) $\frac{2\sqrt{3}-1}{3}$

(۴) $\frac{2\sqrt{3}-\sqrt{2}}{3}$

۱۰۹- نسبت دانسیته صفحه‌ای در صفحه (۰۲۰) نسبت به صفحه (۱۱۱) در شبکه FCC کدام است؟

(۱) $\frac{\sqrt{3}}{2}$

(۲) $\frac{\sqrt{3}}{4}$

(۳) $\frac{2}{\sqrt{3}}$

(۴) $\frac{4}{\sqrt{3}}$

۱۱۰- در کدام استحاله آلوتروپیک، ضریب فشردگی دو برابر می‌شود؟ (SC: مکعب ساده و DC: مکعب الماسی)

(۲) DC \rightarrow BCC

(۱) BCC \rightarrow FCC

(۴) SC \rightarrow DC

(۳) SC \rightarrow BCC

۱۱۱- در معادله آرنیوسی ضریب نفوذ، اگر دما $1/5$ برابر شود، انرژی فعال سازی نفوذ چند برابر می شود؟

(۱) $e^{0.75}$

(۲) $e^{1/5}$

(۳) $1/5$

(۴) ۱

۱۱۲- اگر عدد اندازه دانه ASTM فلزی برابر با n و تعداد دانه ها در 1 in^2 با بزرگنمایی 100 در ریز ساختار آن ۸ برابر تعداد دانه های فلزی دیگر با عدد اندازه دانه n' تحت همان شرایط باشد، n' بر حسب n کدام است؟

(۱) $n-1$

(۲) $n-2$

(۳) $n-3$

(۴) $n-4$

۱۱۳- آهنگ تغییر حالت در کدام یک از استحاله های زیر کندتر است؟

(۱) پریتکتیک (۲) سینکتیک (۳) مونوکتیک (۴) یوکتیک

۱۱۴- در اندازه گیری ضریب نفوذ حجمی (شبکه ای) فلزات چند بلوری (polycrystalline)، دما و اندازه دانه فلز، به ترتیب از راست به چپ، چگونه تغییر می کند؟

(۱) بالا، کوچک (۲) بالا، بزرگ (۳) پایین، بزرگ (۴) پایین، کوچک

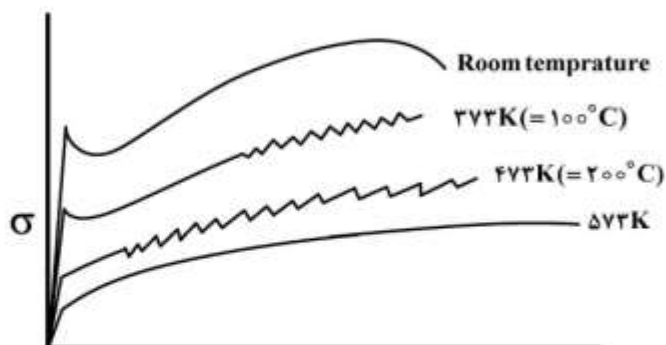
۱۱۵- در یک انجماد همگن، تعداد اتم های موجود در جوانه بحرانی بلوری با ضریب تراکم اتمی فرضی 0.75 ، شعاع اتمی

0.25 nm ، نقطه ذوب 1200 K ، گرمای نهان انجماد $2400 \frac{\text{J}}{\text{cm}^3}$ ، انرژی سطحی $3 \times 10^{-5} \frac{\text{J}}{\text{cm}^2}$ ، در یک زیر

سرمایش $0.25 T_m$ کدام است؟

(۱) ۱۲۸ (۲) ۹۶ (۳) ۶۴ (۴) ۴۸

۱۱۶- شکل روبه رو، نمودار تنش - کرنش فولاد کم کربن را نشان می دهد. در مورد نواحی دندانه دار شده منحنی، کدام گزینه درست است؟



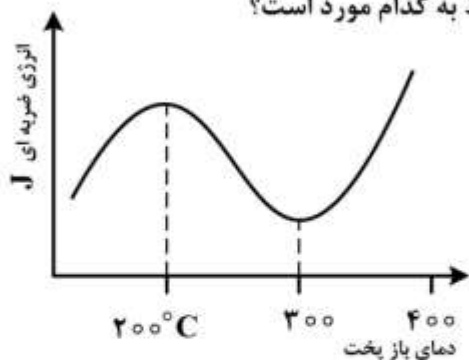
(۱) پدیده لغزش متقاطع، علت اصلی تشکیل دندانه ها است.

(۲) سرعت نفوذ اتم های محلول، بیشتر از سرعت حرکت نابه جایی است.

(۳) سرعت حرکت نابه جایی، بیشتر از سرعت نفوذ اتم های محلول است.

(۴) دندانه دار شدن این نواحی، مستقل از پدیده نفوذ اتم های محلول است.

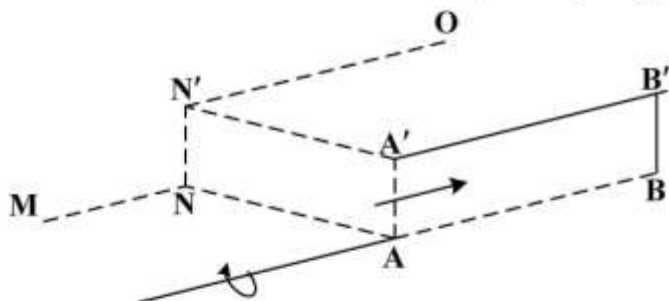
۱۱۷- شکل زیر تغییرات انرژی ضربه فولادی مارتنزیتی نسبت به دمای بازپخت (تمپر) را نشان می‌دهد. کاهش انرژی ضربه در گستره دمای ۲۰۰ تا حدود ۳۰۰ درجه سانتی‌گراد مربوط به کدام مورد است؟



- (۱) بازپخت مارتنزیت
 (۲) ریز شدن دانه‌ها در اثر بازپخت مارتنزیت
 (۳) درشت شدن دانه‌ها در اثر بازپخت مارتنزیت در اثر رسوب عناصری مانند کربن
 (۴) ترد شدن کاربیده‌های مرزدانه‌ای در اثر رسوب عناصری مثل فسفر و گوگرد
- ۱۱۸- در صورتی که عمر خزش ماده A از ماده B بیشتر باشد، کدام گزینه در مورد پیش‌بینی میزان انرژی فعال‌سازی آن‌ها درست است؟

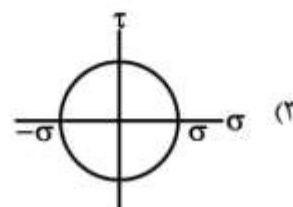
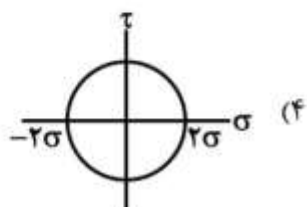
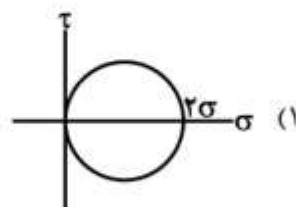
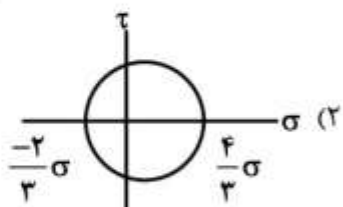
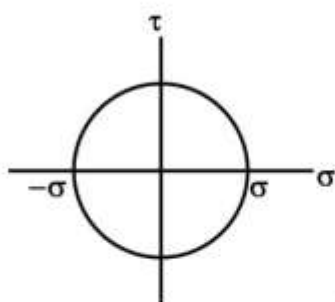
- (۱) انرژی فعال‌سازی بر عمر خزشی تأثیر ندارد.
 (۲) انرژی فعال‌سازی ماده B بیشتر از ماده A است.
 (۳) انرژی فعال‌سازی ماده A بیشتر از ماده B است.
 (۴) انرژی فعال‌سازی هر دو ماده با هم برابر است.

۱۱۹- در مورد نابه‌جایی نشان داده شده در شکل زیر، گزینه درست کدام است؟



- (۱) کنیک با ماهیت پیچی بوده و نابه‌جایی در امتداد \vec{b} به حرکت خود ادامه می‌دهد.
 (۲) جاگ با ماهیت پیچی بوده و نابه‌جایی در امتداد \vec{b} به حرکت خود ادامه می‌دهد.
 (۳) کنیک با ماهیت لبه‌ای بوده و نابه‌جایی تنها از طریق صعودی می‌تواند به حرکت ادامه دهد.
 (۴) جاگ با ماهیت لبه‌ای بوده و نابه‌جایی تنها از طریق صعودی می‌تواند به حرکت ادامه دهد.

۱۲۰- دایره موهر تنش برای حالت تنش اعمالی به یک قطعه به صورت شکل زیر است. در صورت اعمال تنش هیدرواستاتیک به اندازه σ ، دایره موهر تنش به کدام صورت در می آید؟



۱۲۱- صفحه لغزش قفل لومر - کاتول، از ترکیب نابه جایی های $\frac{a}{4}[\bar{1}10]$ بر صفحه (۱۱۱) و $\frac{a}{4}[101]$ بر صفحه $(\bar{1}\bar{1}\bar{1})$ ، کدام است؟

- (۱) (۱۱۱)
- (۲) (۱۱۰)
- (۳) (۱۰۱)
- (۴) (۱۰۰)

۱۲۲- برای یک تک کریستال، فاکتور اشمید برای سه سیستم لغزش A، B و C در جدول زیر داده شده است. چنانچه تنش تسلیم کششی ۵۰ مگاپاسکال باشد، مؤلفه تنش برش بحرانی کدام است؟

سیستم لغزش	A	B	C
فاکتور اشمید	$\frac{\sqrt{6}}{3}$	$\frac{\sqrt{6}}{18}$	$\frac{\sqrt{6}}{6}$

- (۱) $\frac{\sqrt{6}}{450}$
- (۲) $\frac{25\sqrt{6}}{3}$
- (۳) $\frac{50\sqrt{6}}{18}$
- (۴) $\frac{300}{\sqrt{6}}$

۱۲۳- در یک آلیاژ رسوب سخت شده آلومینیم، پس از عملیات گرمایی مناسب، فاصله متوسط رسوبها $0.1 \mu\text{m}$ است. تنش برشی لازم برای خم شدن نابه جاییها بین ذرات چند MPa است؟ (فرض کنید که پارامتر شبکه آلومینیم 0.4 nm و مدول برشی آن 30 GPa باشد).

(۱) ۱۷۴

(۲) ۱۰۰

(۳) ۸۷

(۴) $43/5$

۱۲۴- قطعه‌ای تحت بارگذاری چرخه‌ای با دامنه تنش $\frac{\sigma_y}{4}$ (تنش تسلیم ماده) قرار دارد. حداکثر طول ترکی دایره‌ای شکل که می‌تواند در داخل این قطعه وجود داشته باشد، بدون اینکه اشاعه ترک خستگی اتفاق بیفتد،

چند میلی‌متر است؟ ($K_{Ic} = 50 \text{ MPa}\sqrt{\text{m}}$, $K_{th} = 5 \text{ MPa}\sqrt{\text{m}}$, $\sigma_y = 500 \text{ MPa}$)

(۱) π (۲) $\frac{\pi}{10}$ (۳) $\frac{\pi}{20}$ (۴) 0.122π

۱۲۵- قطعه‌ای تحت بارگذاری تناوبی با بسامد (فرکانس) 50 Hz قرار دارد. ضریب شدت تنش در رأس یک ریزشیار را کمی بیشتر از ΔK_{th} و $da/dN = 5 \times 10^{-8} \text{ mm/cyc}$ و ثابت در نظر بگیرید. طول ترک پس از یک هفته چند میلی‌متر است؟ (در صورت نیاز $m = 3$ منظور شود).

(۱) $1/5$ (۲) 0.06 (۳) 0.03

(۴) ۳

پدیده‌های انتقال (انتقال جرم، مکانیک سیالات، انتقال حرارت):

۱۲۶- کدام گزینه برای یک مخلوط گازی شامل $40\% \text{ CO}_2$ ، $50\% \text{ C}_2\text{H}_8$ و $10\% \text{ CH}_4\text{CHO}$ در فشار یک اتمسفر و دمای 40°C صحیح است؟

($u \equiv \text{mass average velocity}$
 $U \equiv \text{molar average velocity}$)

(۱) $u > U$ (۲) $u = U$ (۳) $u < U$ (۴) $u \ll U$

۱۲۷- تماس فاز گاز با مایع و تئوری هیگی (Higbie) درون فاز مایع صادق است. غلظت اولیه جزء انتقالی درون فاز مداوم یا فاز مایع در حد صفر و غلظت تعادلی $C_{Ai} = 0.2$ فرض می شود. شار متوسط انتقال جرم به درون چرخانه (Eddy) چقدر است؟

$$\pi = 3, \quad \text{مدت زمان تماس} = 3 \text{ ثانیه}, \quad D_{AB} = 0.9 \times 10^{-9} \frac{\text{m}^2}{\text{s}}$$

(۱) 10^{-5}

(۲) 0.2×10^{-5}

(۳) 0.4×10^{-5}

(۴) 1.6×10^{-5}

۱۲۸- مخلوط گازی حاوی A, B و C را در لایه انتقال جرم در نظر بگیرید. انتقال جرم B و C در لایه در حد صفر است. اجزاء مولی A, B و C در لایه به ترتیب ۴۰٪، ۲۰٪ و بقیه C می باشد. ضریب نفوذ مؤثر A در مخلوط کدام است؟

$$D_{AB} = 2.1 \times 10^{-5} \frac{\text{m}^2}{\text{s}}, \quad D_{AC} = 8.4 \times 10^{-5} \frac{\text{m}^2}{\text{s}}$$

(۱) 5.15×10^{-5}

(۲) 3.78×10^{-5}

(۳) 5.25×10^{-5}

(۴) 4.20×10^{-5}

۱۲۹- در فرایند انتقال جرم بین دو فاز گاز و مایع نمودار تعادلی به صورت $y = 0.2x$ است. در یک مقطع خاص از دستگاه انتقال جرم، فاز گاز با جزء مولی ۰/۱ با فاز مایع با جزء مولی ۰/۲ در تماس است. اگر جزء مولی منتقل شونده در سطح تماس دو فاز، در فاز مایع $x_{Ai} = 0.3$ باشد، چند درصد مقاومت در فاز مایع است؟

(۱) ۳۰

(۲) $33/3$

(۳) ۵۰

(۴) $66/6$

۱۳۰- در قطعه‌ای از یک ستون دفع جزء مولی A در توده مایع با مقدار $x_{AL} = 0.1$ و در فصل مشترک با مقدار $x_{Ai} = 0.01$ موجود است. این جزء در توده گاز وجود ندارد. اگر $F_G = F_L$ باشد غلظت A در سمت گاز در فصل مشترک تقریباً چقدر است؟ ($N_B = 0, N_A \neq 0$)

(۱) $\frac{11}{10}$

(۲) ۰/۱۰

(۳) $\frac{1}{11}$

(۴) ۰/۰۱

۱۳۱- در یک سیستم همسو جداسازی گاز - مایع با انتقال جرم یک طرفه از گاز به مایع که دارای معادله خط تعادل $y = 4x$ است، در صورتی که $\frac{k_x}{k_y} = 2$ و $(x_{AL}, y_{AG}) = (0, 0)$ باشد غلظت فصل مشترک گاز - مایع

به ترتیب کدام است؟ (x_{Ai}, y_{Ai})

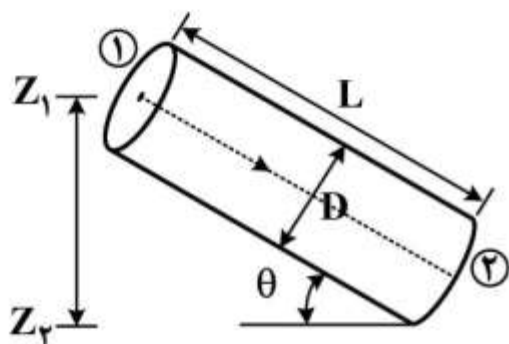
(۱) $(\frac{0.04}{4}, \frac{0.08}{2})$

(۲) $(\frac{0.04}{3}, \frac{0.16}{3})$

(۳) $(0.05, 0.2)$

(۴) $(\frac{0.05}{3}, \frac{0.2}{3})$

۱۳۲- سیال آرامی با سرعت \bar{u} در یک لوله شیبدار به صورت زیر به سمت پایین جریان دارد. با در نظر گرفتن اصطکاک داخل لوله، در چه زاویه‌ای (θ) فشار در نقاط (۱) و (۲) برابر است؟



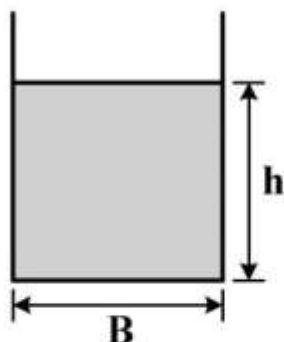
(۱) $\text{Arcsin}(\frac{\mu \bar{u}}{\rho g D^2})$

(۲) $\text{Arcsin}(\frac{16 \mu \bar{u}}{\rho g D})$

(۳) $\text{Arcsin}(\frac{32 \mu \bar{u} D}{\rho g})$

(۴) $\text{Arcsin}(\frac{32 \mu \bar{u}}{\rho g D^2})$

۱۳۳- شکل زیر مقطع کانال مستطیلی را نشان می‌دهد. در صورتی که دبی حجمی جریان سیال ثابت بماند. با ثابت در نظر گرفتن B به ازای چه مقدار از h کمترین افت اصطکاکی اتفاق می‌افتد؟



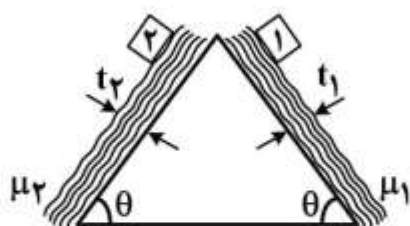
(۱) $\frac{B}{4}$

(۲) $\frac{B}{2}$

(۳) B

(۴) 2B

۱۳۴- مطابق شکل دو جسم کاملاً یکسان ۱ و ۲ همزمان از بالای سطح شیبدار بر روی دو سیال با ضخامت‌های متفاوت و ویسکوزیته متفاوت رها می‌شوند. با توجه به اطلاعات روی شکل کدام جسم زودتر به پایین سطح شیبدار می‌رسد؟



$$t_1 = 3t_2$$

$$\mu_1 = 2\mu_2$$

۱ (۱)

۲ (۲)

۳ همزمان می‌رسند.

۴ به θ بستگی دارد.

۱۳۵- گاز پروپان از داخل یک بستر کاتالیستی استوانه‌ای شکل به قطر ۵ فوت و ارتفاع ۲۰ فوت عبور می‌کند. کاتالیست‌ها

مکعبی شکل به ابعاد ۲ اینچ و دانسیته برابر $\frac{160 \text{ lb}_m}{\text{ft}^3}$ می‌باشند. وزن بستر کاتالیست‌ها برابر $20 \times 25 \times 160$ می‌باشد.

درصد تخلخل ε (درصد فضای خالی بستر) کدام است؟ (عدد π معادل ۳ در نظر گرفته شود).

۲۵ (۱)

۳۰ (۲)

۴۰ (۳)

۶۰ (۴)

۱۳۶- زمان لازم برای ته‌نشینی ذرات جامد در یک محلول، با کاهش قطر ذرات به نصف، در یک جریان آرام با فرض

سرعت حد چند برابر می‌شود؟

$\frac{1}{4}$ (۱)

$\frac{1}{2}$ (۲)

۲ (۳)

۴ (۴)

۱۳۷- پروفیل سرعت در یک کانال مستطیلی به صورت $V_x = A \left[1 - \left(\frac{y}{\delta} \right)^2 \right]$ داده شده است. گرادیان فشار در جهت

جریان کدام است؟

$-\frac{A}{\delta^2}$ (۱)

$-\frac{\mu A}{\delta^2}$ (۲)

$-2\frac{A}{\delta^2}$ (۳)

$-2\frac{\mu A}{\delta^2}$ (۴)

۱۳۸- روغنی با سرعت $1 \frac{m}{s}$ در لوله‌ای با قطر 10 cm در حرکت است. حداقل افت فشاری که یک پمپ باید تأمین کند

$$\mu = 40 \text{ cP}, \rho = 800 \frac{\text{kg}}{\text{m}^3} \text{ چند kPa است؟}$$

(۱) ۱۶

(۲) ۴۰

(۳) ۱۶۰

(۴) ۳۲۰

۱۳۹- ضرب دید سطح درونی نیم‌کره‌ای با قطر درونی 20 سانتی‌متر با خودش کدام است؟

(۱) ۱

(۲) 0.5 (۳) 0.25 (۴) 0.1π

۱۴۰- در جریان آرام سیال در داخل لوله کدام عبارت درست است؟

(۱) عدد ناسلت در خروجی در قسمت توسعه یافته بیشتر از عدد ناسلت در قسمت توسعه نیافته است.

(۲) عدد ناسلت در خروجی در شرایط توسعه یافته کمتر از عدد ناسلت در قسمت توسعه نیافته است.

(۳) عدد ناسلت در حالت دمایی ثابت دیواره بیشتر از حالت شار ثابت دیواره است.

(۴) عدد ناسلت در همه طول لوله ثابت می‌ماند.

۱۴۱- جسم کوچکی که در دمای اولیه T_i قرار دارد، به صورت ناگهانی در سیالی با دمای T_∞ قرار داده می‌شود. اگر در

این شرایط $Bi < 0.1$ و τ ثابت زمانی سیستم باشد کل انتقال حرارت از جسم تا زمان t چقدر است؟ (q_0 نرخ

انتقال حرارت جسم در لحظه $t = 0$ است)

$$(1) \frac{t}{\tau} e^{-\tau} q_0$$

$$(2) \frac{t}{\tau} e^{-\tau} q_0$$

$$(3) \tau q_0 (1 - e^{-\tau})$$

$$(4) \tau q_0 (1 - e^{-\tau})$$

۱۴۲- بخار اشباع 80°C در تماس با یک صفحه عمودی به ارتفاع 30 سانتی‌متر و عرض 20 سانتی‌متر که در دمای

ثابت 40°C ثابت نگهداشته شده، به حالت مایع در می‌آید. دانسیته و ویسکوزیته مایع حاصله در دمای 60°C

به ترتیب $1000 \frac{\text{kg}}{\text{m}^3}$ و $1 \times 10^{-3} \frac{\text{kg}}{\text{m.s}}$ می‌باشد. شدت جریان مایع حاصله نقطه میانی و در پایین‌ترین قسمت

جریان به ترتیب برابر $0.07 \frac{\text{kg}}{\text{s}}$ و $0.1 \frac{\text{kg}}{\text{s}}$ است. کدام گزینه نوع رژیم جریان مایع در این دو نقطه را به ترتیب

نشان می‌دهد؟

(۱) درهم - درهم (۲) آرام - درهم (۳) موجدار - موجدار (۴) موجدار - درهم

۱۴۳- در یک لوله دو اینچی بدون عایق بخار آب در دمای 300°C جریان دارد و این لوله از داخل یک اتاق که دمای هوای آن 30°C است عبور می کند قسمت اعظم اتلاف حرارت از این لوله ناشی از کدام مورد زیر است؟

- (۱) تابش به محیط اطراف است.
 (۲) هدایت حرارتی به هوای اتاق است.
 (۳) جابه جایی به هوای اتاق است.
 (۴) هدایت حرارتی و جابه جایی توأم به هوای اتاق است.

۱۴۴- در مبدل های حرارتی کدام گزینه نادرست است؟

- (۱) اگر $NTU \geq 0.25$ مبدل با جریان ناهمسو بهترین کارایی را دارد.
 (۲) اگر $NTU \leq 0.25$ همه مبدل ها تقریباً کارایی برابر دارند.
 (۳) اگر $\frac{C_{min}}{C_{max}} = 0$ آنگاه $\epsilon = 1 - \exp(-NTU)$ خواهد بود.
 (۴) اگر $\frac{C_{min}}{C_{max}} = 0$ باشد، کمترین کارایی مبدل اتفاق خواهد افتاد.

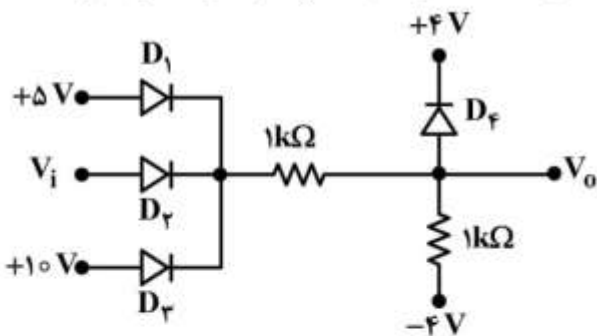
۱۴۵- روی لوله ای به قطر 5cm را که در محیطی با ضریب جابه جایی گرمایی $20 \frac{\text{W}}{\text{m}^2 \cdot ^{\circ}\text{C}}$ قرار دارد، با یک سانتی متر

عایق با ضریب حرارتی $k = 0.5 \frac{\text{W}}{\text{m} \cdot ^{\circ}\text{C}}$ می پوشانیم. در خصوص تغییرات انتقال حرارت کدام مورد درست است؟

- (۱) انتقال حرارت از لوله به محیط افزایش می یابد.
 (۲) انتقال حرارت از لوله به محیط کاهش می یابد.
 (۳) انتقال حرارت ابتدا افزایش و سپس کاهش می یابد.
 (۴) انتقال حرارت ابتدا کاهش و سپس افزایش می یابد.

الکترونیک (۲و) و الکترومغناطیس مهندسی:

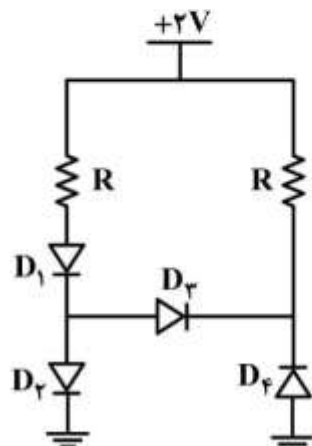
۱۴۶- در مدار زیر، اگر دیودها را ایدئال فرض کنیم و ولتاژ V_i در محدوده 13 تا 16 ولت باشد. V_o چند ولت خواهد بود؟



- (۱) صفر
 (۲) ۳
 (۳) ۴
 (۴) -۴

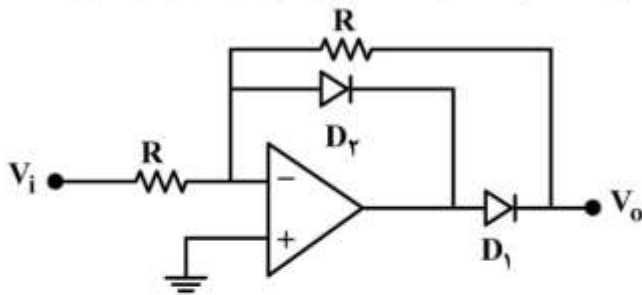
۱۴۷- در مدار زیر، همه دیودها با هم یکسان بوده و دارای ولتاژ آستانه هدایت $V_{D,on} = 0.7\text{V}$ هستند. کدام دیود

بیشترین عرض ناحیه تخلیه را دارد؟



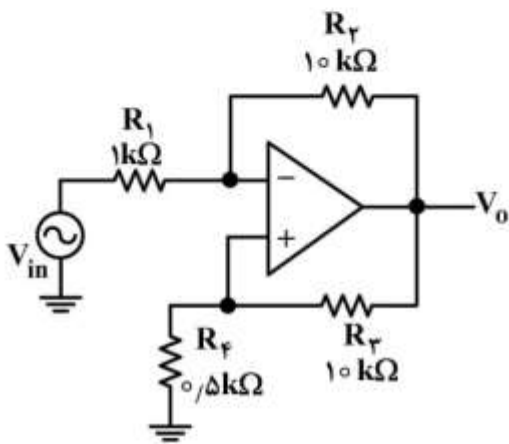
- (۱) D_1
 (۲) D_2
 (۳) D_3
 (۴) D_4

۱۴۸- در مدار زیر، با فرض دیود ایدئال، رابطه V_o و V_i ، به ازای $V_i > 0$ کدام است؟ (V_{sat} ولتاژ اشباع آپ امپ است)



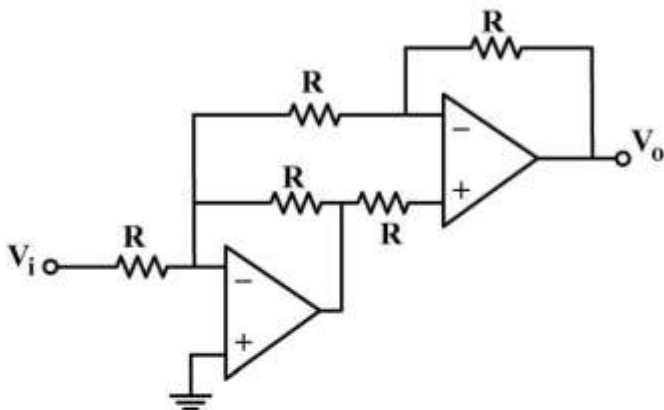
- (۱) $V_o = 0$
- (۲) $V_o = V_i$
- (۳) $V_o = -V_i$
- (۴) $V_o = V_{sat}$

۱۴۹- بهره ولتاژ مدار زیر به کدام گزینه نزدیک تر است؟ (آپ امپ ایدئال فرض شود.)



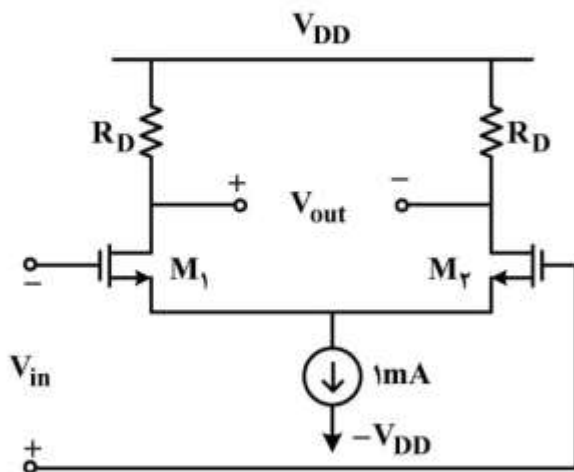
- (۱) -۲۰
- (۲) ۲۰
- (۳) -۱۵
- (۴) ۱۵

۱۵۰- در مدار زیر آپ امپها ایدئال فرض می شوند. بهره ولتاژ $A_v = \frac{V_o}{V_i}$ کدام است؟



- (۱) -۲
- (۲) -۱
- (۳) ۱
- (۴) ۲

۱۵۱- در مدار زیر ترانزیستورهای M_1 و M_2 در ناحیه اشباع بایاس شده‌اند و $(\frac{W}{L})_1$ ترانزیستور M_1 ، ۴ برابر $(\frac{W}{L})_2$ ترانزیستور M_2 است. به ازای چه مقداری از ورودی V_{in} ، ولتاژ خروجی V_{out} برابر با صفر خواهد بود؟

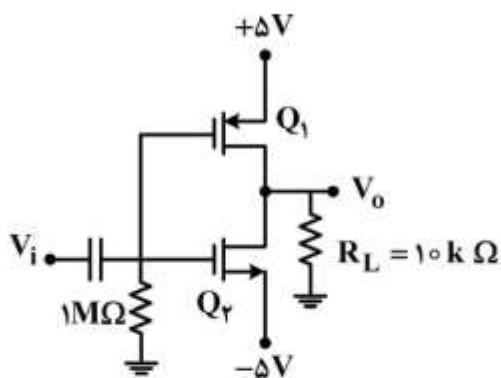


- ۱) ۰٫۲۵V
- ۲) ۰٫۵V
- ۳) ۰٫۷۵V
- ۴) ۱٫۰V

$$\mu_n C_{ox} \left(\frac{W}{L}\right)_1 = 16 \frac{\text{mA}}{\text{V}^2}$$

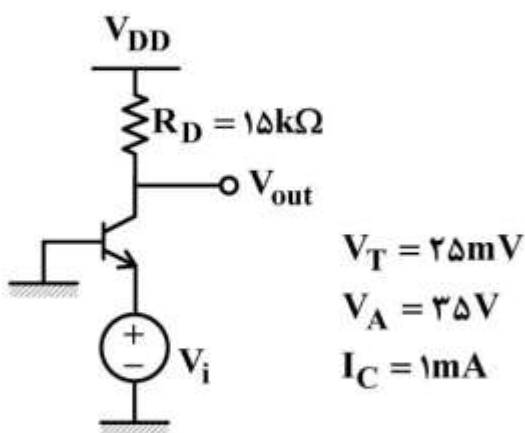
$$\left(\frac{W}{L}\right)_1 = 4 \left(\frac{W}{L}\right)_2$$

۱۵۲- در مدار زیر، Q_1 دارای مشخصات $\mu_p C_{ox} \frac{W}{L} = 2 \frac{\text{mA}}{\text{V}^2}$ ، $V_{T1} = -2\text{V}$ ، $r_{d1} = 20\text{k}\Omega$ و Q_2 دارای مشخصات $\mu_n C_{ox} \frac{W}{L} = 8 \frac{\text{mA}}{\text{V}^2}$ ، $V_{T2} = 4\text{V}$ ، $r_{d2} = 20\text{k}\Omega$ است. بهره ولتاژ سیگنال کوچک مدار $(A_v = \frac{V_o}{V_i})$ کدام است؟



- ۱) ۰
- ۲) -۱۲
- ۳) -۶۰
- ۴) -۸۰

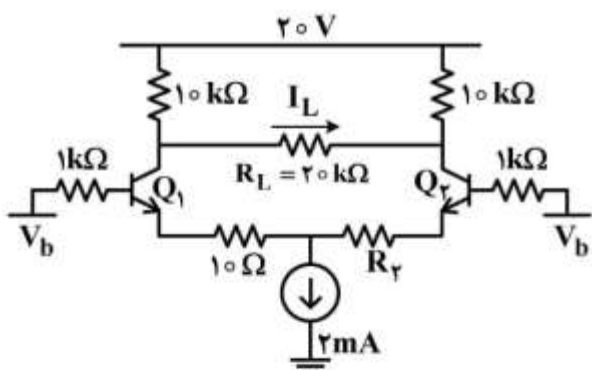
۱۵۳- بهره ولتاژ $\frac{V_{out}}{V_i}$ مدار زیر کدام است؟



- (۱) ۳۰۰
- (۲) ۴۲۰
- (۳) ۴۹۰
- (۴) ۶۰۰

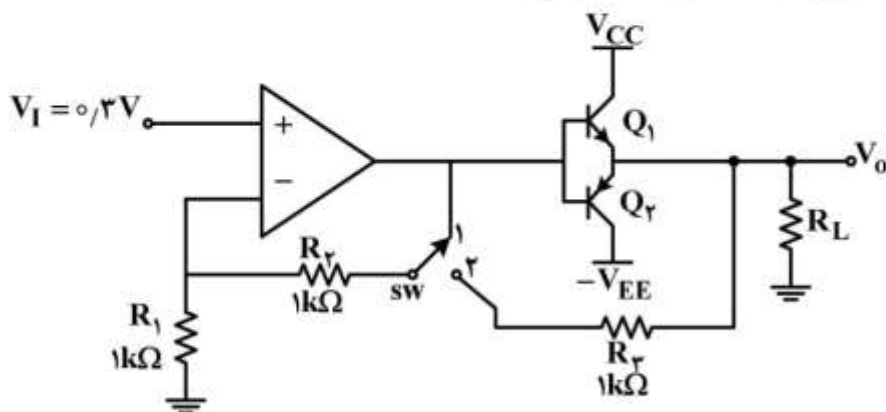
۱۵۴- در مدار زیر:

الف) R_T چند اهم باشد تا از مقاومت بار R_L جریان DC عبور نکند؟
 ب) با فرض مقاومت R_T به دست آمده در الف، اگر جای Q_1 و Q_2 را عوض کنیم، جریان عبوری از بار R_L کدام است؟
 در قسمت (ب) فرض کنید که V_{BE} ترانزیستور سمت راست 10 mV بیشتر است.



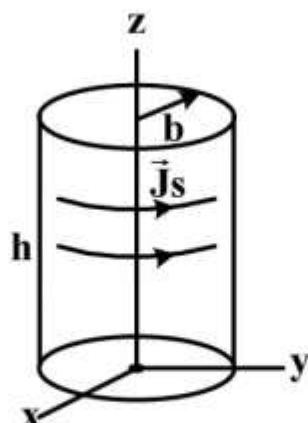
- (۱) $I_L = 0.125\text{ mA}$, $R_T = 5\Omega$
- (۲) $I_L = 0.25\text{ mA}$, $R_T = 5\Omega$
- (۳) $I_L = 0.125\text{ mA}$, $R_T = 0$
- (۴) $I_L = 0.25\text{ mA}$, $R_T = 0$

۱۵۵- در مدار زیر، آپ امپ ایدئال بوده و ترانزیستورها دارای $\beta = 100$, $|V_{BE,on}| = 0.7\text{ V}$ هستند. اگر کلید SW از وضعیت ۱ به وضعیت ۲ برود، مقدار V_0 چند میلی ولت تغییر می کند؟



- (۱) ۱۵۰
- (۲) ۳۰۰
- (۳) ۶۰۰
- (۴) ۹۰۰

۱۵۶- روی یک پوسته استوانه‌ای به شعاع b و ارتفاع h مانند شکل زیر، جریان سطحی با چگالی $\vec{J}_s = J_0 \hat{\phi}$ جاری است. شدت میدان مغناطیسی \vec{H} در مبدأ مختصات کدام است؟



$$\vec{H} = \hat{z} J_0 \frac{\pi b^2}{(h^2 + b^2)} \quad (۱)$$

$$\vec{H} = \hat{z} J_0 \frac{\pi b^2 h}{(h^2 + b^2)} \quad (۲)$$

$$\vec{H} = \hat{z} \frac{J_0}{2} \frac{h}{\sqrt{h^2 + b^2}} \quad (۳)$$

$$\vec{H} = \hat{z} \frac{J_0}{2} \frac{b}{\sqrt{h^2 + b^2}} \quad (۴)$$

۱۵۷- انرژی ذخیره شده در واحد طول یک پوسته استوانه‌ای غیرمغناطیسی با شعاع داخلی a و شعاع خارجی $2a$ در حالی که جریان یکنواخت I از این استوانه عبور نماید، معادل کدام مورد است؟

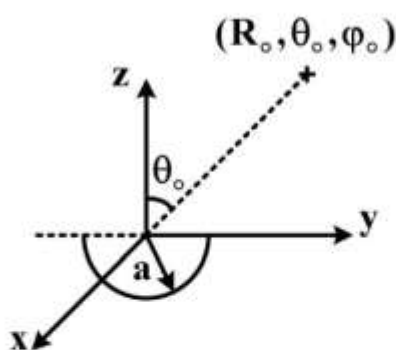
$$W_H = \frac{\mu_0 I^2}{36\pi} \left[1 + \frac{2}{3} \ln a \right] \quad (۱)$$

$$W_H = \frac{\mu_0 I^2}{48\pi} \left[1 + \frac{2}{3} \ln a \right] \quad (۲)$$

$$W_H = \frac{\mu_0 I^2}{36\pi} \left[1 + \frac{4}{3} \ln a \right] \quad (۳)$$

$$W_H = \frac{\mu_0 I^2}{48\pi} \left[1 + \frac{4}{3} \ln a \right] \quad (۴)$$

۱۵۸- بار خطی به شکل نیم دایره با چگالی بار خطی ρ_ℓ در صفحه xy مفروض است. پتانسیل در نقطه (R_0, θ_0, ϕ_0) کدام است؟ (نقطه دور از مبدأ است.)



$$\frac{\rho_\ell a}{4\pi\epsilon_0 R_0} \left(\pi + \frac{2a}{R_0} \sin\theta_0 \cos\theta_0 \right) \quad (۱)$$

$$\frac{\rho_\ell a}{4\pi\epsilon_0 R_0} \left[\pi + \frac{2a}{R_0} \sin\theta_0 \cos\theta_0 \right] \quad (۲)$$

$$\frac{\rho_\ell a}{4\pi\epsilon_0 R_0} \left[\pi + \frac{4a}{R_0} \sin\theta_0 \right] \quad (۳)$$

$$\frac{\rho_\ell a}{4\pi\epsilon_0 R_0} \left[\pi + \frac{6a}{R_0} \sin\theta_0 \right] \quad (۴)$$

۱۵۹- صفحه بزرگ با چگالی بار سطحی ρ_s در $z=0$ مفروض است. ذره‌ای به جرم m و بار q بر روی محور z در حال حرکت است. سرعت ذره در $z = 2h$ برابر با $-u_0 a_z$ است. برای آنکه ذره حداقل تا $z = h$ برسد، u_0 کدام است؟

$$\sqrt{4h\left(\frac{q\rho_s}{2\epsilon_0 m} - g\right)} \quad (1)$$

$$\sqrt{2h\left(\frac{q\rho_s}{2\epsilon_0 m} - g\right)} \quad (2)$$

$$\sqrt{\frac{h}{2}\left(\frac{q\rho_s}{2\epsilon_0 m} - g\right)} \quad (3)$$

$$\sqrt{\frac{h}{4}\left(\frac{q\rho_s}{2\epsilon_0 m} - g\right)} \quad (4)$$

۱۶۰- فضای داخلی یک خازن هم محور به طول نامحدود با شعاع داخلی a و شعاع بیرونی b به طور کامل با یک ماده دی‌الکتریک با پذیرفتاری (susceptibility) $\chi = \chi_0 \cos^2 \varphi$ ($0 < \varphi \leq 2\pi$) پر شده است. ظرفیت خازنی واحد طول این ساختار کدام است؟

$$\frac{2\pi\epsilon_0}{\ln\left(\frac{b}{a}\right)} \quad (1)$$

$$\frac{\pi\epsilon_0\chi_0}{\ln\left(\frac{b}{a}\right)} \quad (2)$$

$$\frac{2\pi\epsilon_0(1+\chi_0)}{\ln\left(\frac{b}{a}\right)} \quad (3)$$

$$\frac{\pi\epsilon_0(2+\chi_0)}{\ln\left(\frac{b}{a}\right)} \quad (4)$$

۱۶۱- تابع پتانسیل را در یک خازن دو صفحه موازی در حالی که در $x=0$ ، $v=0$ و در $x=1$ ، $v=v_0$ بوده و

همچنین بین دو صفحه خازن دی‌الکتریک با ضریب $(1-x^2)\epsilon_0$ پر شده باشد، کدام است؟

$$v = \frac{4v_0}{\pi} \tan^{-1} x \quad (2)$$

$$v = \frac{4v_0}{\pi} \tan^{-1} x^2 \quad (1)$$

$$v = \frac{4v_0}{\pi^2} \tan^{-1} x \quad (4)$$

$$v = \frac{4v_0}{\pi^2} \tan^2 x^2 \quad (3)$$

۱۶۲- منبع توانی داخل کره‌ای، طوری تشعشع می‌کند که در مختصات کروی میزان چگالی توان \bar{a}_r $\left[\frac{\theta}{\gamma}\right]$ \cos^2 را 1000 را

ایجاد می‌کند. زاویه $\theta = \theta_1$ برابر کدام گزینه باشد، تا نصف کل توان منبع در مخروطی با $\theta \leq \theta_1$ تشعشع نماید؟

$$\theta_1 = \cos^{-1} \sqrt{0.5} \quad (۱)$$

$$\theta_1 = \cos^{-1} \sqrt[4]{0.5} \quad (۲)$$

$$\theta_1 = 2 \cos^{-1} \sqrt{0.5} \quad (۳)$$

$$\theta_1 = 2 \cos^{-1} \sqrt[4]{0.5} \quad (۴)$$

۱۶۳- شعاع‌های داخلی و خارجی یک خازن کروی به ترتیب ۱ و ۲ میلی‌متر است. این خازن با بار $Q = 1$ کولمب شارژ شده است. اگر شعاع هادی خارجی ۳ برابر شود، شعاع هادی داخلی چند برابر شود تا انرژی ذخیره شده در خازن تغییری نکند و ثابت باقی بماند؟

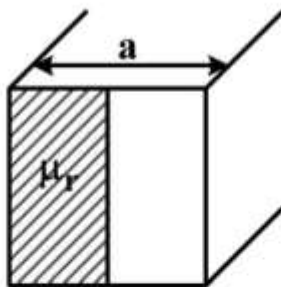
$$\frac{1}{3} \quad (۱)$$

$$\frac{2}{3} \quad (۲)$$

$$\frac{3}{2} \quad (۳)$$

$$3 \quad (۴)$$

۱۶۴- حول یک چنبره N دور سیم پیچیده شده است. سطح مقطع چنبره مطابق شکل مربعی به ضلع a است که نیمه دورتر نسبت به مرکز چنبره آن را یک ماده مغناطیسی با ضریب نفوذپذیری نسبی μ_r پر کرده است (مطابق شکل زیر). قدر مطلق شار گذرنده از سطح مقطع با فرض جریان I برای سیم پیچ و شعاع متوسط b برای چنبره، کدام است؟



$$\frac{\mu_0 I a}{2\pi} \left[\ln\left(\frac{b}{b - \frac{a}{2}}\right) + \mu_r \ln\left(\frac{b + \frac{a}{2}}{b}\right) \right] \quad (۱)$$

$$\frac{\mu_0 I}{2\pi} \left[\ln\left(\frac{b}{b - \frac{a}{2}}\right) + \mu_r \ln\left(\frac{b + \frac{a}{2}}{b}\right) \right] \quad (۲)$$

$$\frac{\mu_0 I}{2\pi} \left[\ln\left(\frac{b}{b - \frac{a}{2}}\right) + \ln\left(\frac{b + \frac{a}{2}}{b}\right) \right] \quad (۳)$$

$$\frac{\mu_0 I a}{2\pi} \left[\ln\left(\frac{b}{b - \frac{a}{2}}\right) + \ln\left(\frac{b + \frac{a}{2}}{b}\right) \right] \quad (۴)$$

۱۶۵- یک تیغه دی‌الکتریک با ثابت دی‌الکتریک $K = 3$ (مطابق شکل) نصف فضای بین دو صفحه یک خازن با صفحات موازی را پر کرده است. اگر این خازن توسط یک باتری باردار شود، چه کسری از کل انرژی ذخیره شده در خازن در ناحیه دی‌الکتریک ذخیره می‌شود؟



$$\frac{3}{4} \quad (1)$$

$$\frac{1}{4} \quad (2)$$

$$\frac{1}{3} \quad (3)$$

$$\frac{1}{2} \quad (4)$$

کلید اولیه از موم کارشناسی ارشد ناپیوسته سال 1398

کلید اولیه از موم کارشناسی ارشد ناپیوسته سال 1398

به اطلاع داوطلبان شرکت کننده در آزمون کارشناسی ارشد سال 1398 می‌رساند، این کلید اولیه غیر قابل استناد است و پس از دریافت نظرات داوطلبان و صاحب نظران، کلید نهایی سوالات تهیه و بر اساس آن کارنامه داوطلبان استخراج خواهد شد. در صورت تمایل می‌توانید حداکثر تا تاریخ 1398/04/01 با مراجعه به سیستم پاسخگویی اینترنتی به نشانی request.sanjesh.org و تکمیل فرم اعتراض به کلید سوالات آزمون کارشناسی ارشد سال 1398 اقدام نمایید. لازم به ذکر است نظرات داوطلبان فقط از طریق اینترنت دریافت خواهد شد و به موارد ارسالی از طریق دیگر رسیدگی نخواهد شد.

نوع دفترچه	نام رشته امتحانی	کد رشته امتحانی
A	نانوفناوری - نانومواد	1273

شماره سوال	گزینه صحیح	شماره سوال	گزینه صحیح	شماره سوال	گزینه صحیح	شماره سوال	گزینه صحیح	شماره سوال	گزینه صحیح	شماره سوال	گزینه صحیح
1	3	31	3	61	3	91	2	121	4	151	1
2	1	32	2	62	2	92	1	122	2	152	3
3	2	33	4	63	1	93	4	123	3	153	2
4	4	34	3	64	4	94	2	124	2	154	3
5	4	35	1	65	1	95	3	125	1	155	4
6	3	36	2	66	4	96	1	126	1	156	3
7	2	37	1	67	2	97	2	127	3	157	4
8	1	38	4	68	3	98	3	128	4	158	1
9	3	39	3	69	4	99	4	129	2	159	2
10	1	40	1	70	3	100	1	130	3	160	4
11	4	41	3	71	3	101	4	131	4	161	2
12	2	42	4	72	1	102	1	132	4	162	4
13	1	43	1	73	2	103	4	133	2	163	3
14	3	44	2	74	3	104	2	134	1	164	1
15	2	45	4	75	1	105	3	135	3	165	2
16	2	46	2	76	1	106	4	136	4	166	سفید
17	2	47	1	77	4	107	1	137	4	167	سفید
18	1	48	2	78	2	108	3	138	3	168	سفید
19	4	49	1	79	4	109	1	139	2	169	سفید
20	3	50	4	80	2	110	2	140	2	170	سفید
21	2	51	3	81	3	111	4	141	3	171	سفید
22	4	52	3	82	1	112	3	142	4	172	سفید
23	3	53	4	83	4	113	1	143	1	173	سفید
24	1	54	2	84	1	114	2	144	4	174	سفید
25	2	55	2	85	2	115	4	145	3	175	سفید
26	3	56	2	86	3	116	2	146	3	176	سفید
27	2	57	4	87	1	117	4	147	4	177	سفید
28	3	58	3	88	3	118	3	148	1	178	سفید
29	4	59	3	89	4	119	4	149	1	179	سفید
30	1	60	1	90	2	120	1	150	2	180	سفید

شماره سوال	گزینه صحیح	شماره سوال	گزینه صحیح	شماره سوال	گزینه صحیح	شماره سوال	گزینه صحیح
181	سفید	211	سفید	241	سفید	271	سفید
182	سفید	212	سفید	242	سفید	272	سفید
183	سفید	213	سفید	243	سفید	273	سفید
184	سفید	214	سفید	244	سفید	274	سفید
185	سفید	215	سفید	245	سفید	275	سفید
186	سفید	216	سفید	246	سفید	276	سفید
187	سفید	217	سفید	247	سفید	277	سفید
188	سفید	218	سفید	248	سفید	278	سفید
189	سفید	219	سفید	249	سفید	279	سفید
190	سفید	220	سفید	250	سفید	280	سفید
191	سفید	221	سفید	251	سفید	281	سفید
192	سفید	222	سفید	252	سفید	282	سفید
193	سفید	223	سفید	253	سفید	283	سفید

194	سفید	224	سفید	254	سفید	284	سفید	314	سفید
195	سفید	225	سفید	255	سفید	285	سفید	315	سفید
196	سفید	226	سفید	256	سفید	286	سفید	316	سفید
197	سفید	227	سفید	257	سفید	287	سفید	317	سفید
198	سفید	228	سفید	258	سفید	288	سفید	318	سفید
199	سفید	229	سفید	259	سفید	289	سفید	319	سفید
200	سفید	230	سفید	260	سفید	290	سفید	320	سفید
201	سفید	231	سفید	261	سفید	291	سفید		
202	سفید	232	سفید	262	سفید	292	سفید		
203	سفید	233	سفید	263	سفید	293	سفید		
204	سفید	234	سفید	264	سفید	294	سفید		
205	سفید	235	سفید	265	سفید	295	سفید		
206	سفید	236	سفید	266	سفید	296	سفید		
207	سفید	237	سفید	267	سفید	297	سفید		
208	سفید	238	سفید	268	سفید	298	سفید		
209	سفید	239	سفید	269	سفید	299	سفید		
210	سفید	240	سفید	270	سفید	300	سفید		

خروج

