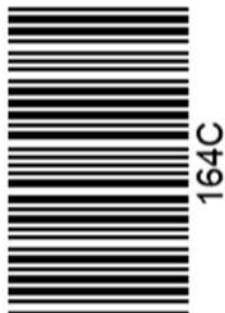


کد کنترل

164

C



164C

صبح جمعه

۱۴۰۲/۱۲/۰۴



جمهوری اسلامی ایران  
وزارت علوم، تحقیقات و فناوری  
سازمان سنجش آموزش کشور

«در زمینه مسائل علمی، باید دنبال قله بود.»  
مقام معظم رهبری

## آزمون ورودی دوره‌های کارشناسی ارشد ناپیوسته داخل - سال ۱۴۰۳

### مهندسی کامپیوتر (کد ۱۲۷۷)

مدت زمان پاسخگویی: ۲۴۰ دقیقه

تعداد سؤال: ۱۱۵

#### عنوان مواد امتحانی، تعداد و شماره سؤال‌ها

ردیف	مواد امتحانی	تعداد سؤال	از شماره	تا شماره
۱	زبان عمومی و تخصصی (انگلیسی)	۲۵	۱	۲۵
۲	ریاضیات (ریاضی عمومی (۱ و ۲)، آمار و احتمال مهندسی، ریاضیات گسسته)	۲۰	۲۶	۴۵
۳	مجموعه دروس تخصصی ۱ (نظریه زبان‌ها و ماشین‌ها، سیگنال‌ها و سیستم‌ها)	۱۰	۴۶	۵۵
۴	مجموعه دروس تخصصی ۲ (ساختمان داده‌ها، طراحی الگوریتم و هوش مصنوعی)	۲۰	۵۶	۷۵
۵	مجموعه دروس تخصصی ۳ (مدار منطقی، معماری کامپیوتر و الکترونیک دیجیتال)	۲۰	۷۶	۹۵
۶	مجموعه دروس تخصصی ۴ (سیستم‌های عامل، شبکه‌های کامپیوتری و پایگاه داده‌ها)	۲۰	۹۶	۱۱۵

این آزمون، نمره منفی دارد.

استفاده از ماشین حساب مجاز نیست.

\* داوطلب گرامی، عدم درج مشخصات و امضا در مندرجات جدول زیر، به منزله عدم حضور شما در جلسه آزمون است.

اینجانب ..... با شماره داوطلبی ..... با آگاهی کامل، یکسان بودن شماره  
صندلی خود با شماره داوطلبی مندرج در بالای کارت ورود به جلسه، بالای پاسخنامه و دفترچه سؤال‌ها، نوع و  
کد کنترل درج شده بر روی دفترچه سؤال‌ها و پایین پاسخنامه‌ام را تأیید می‌نمایم.

امضا:

زبان عمومی و تخصصی (انگلیسی):

## PART A: Vocabulary

**Directions:** Choose the word or phrase (1), (2), (3), or (4) that best completes each sentence. Then mark the answer on your answer sheet.

- 1- But at this point, it's pretty hard to hurt my ..... . I've heard it all, and I'm still here.  
1) characterization                      2) feelings  
3) sentimentality                         4) pain
- 2- Be sure your child wears sunscreen whenever she's ..... to the sun.  
1) demonstrated            2) confronted            3) invulnerable            4) exposed
- 3- Many of these popular best-sellers will soon become dated and ....., and will eventually go out of print.  
1) irrelevant                  2) permanent                  3) fascinating                  4) paramount
- 4- The men who arrived in the ..... of criminals were actually undercover police officers.  
1) uniform                    2) job                                  3) guise                                  4) distance
- 5- It was more ..... to take my meals in bed, where all I had to do was push away my tray with its uneaten food and fall back upon my pillows.  
1) haphazard                  2) reckless                         3) convenient                  4) vigorous
- 6- His victory sparked a rare wave of ..... in his home country. Nicaraguans poured into the streets, honking car-horns and waving the national flag.  
1) serendipity                  2) tranquility                         3) aspersion                         4) euphoria
- 7- He liked the ease and glitter of the life, and the luster ..... on him by being a member of this group of rich and conspicuous people.  
1) conferred                  2) equivocated                         3) attained                         4) fabricated

## PART B: Cloze Test

**Directions:** Read the following passage and decide which choice (1), (2), (3), or (4) best fits each space. Then mark the correct choice on your answer sheet.

Roman education had its first “primary schools” in the 3rd century BCE, but they were not compulsory ..... (8) entirely on tuition fees. There were no official schools in Rome, nor were there buildings used specifically for the purpose. Wealthy families ..... (9) private tutors to teach their children

at home, while less well-off children were taught in groups. Teaching conditions for teachers could differ greatly. Tutors who taught in a wealthy family did so in comfort and with facilities; ..... (10) been brought to Rome as slaves, and they may have been highly educated.

- 8- 1) which depending  
3) for depended
- 9- 1) have employed  
3) were employed
- 10- 1) some of these tutors could have  
3) that some of them could have
- 2) and depended  
4) that depended
- 2) employed  
4) employing
- 2) because of these tutors who have  
4) some of they should have

### PART C: Reading Comprehension

**Directions:** Read the following three passages and answer the questions by choosing the best choice (1), (2), (3), or (4). Then mark the correct choice on your answer sheet.

#### PASSAGE 1:

First, there is the question of a definition of a computer virus. There is currently no agreement in the computer community. To the general reader differences may appear slight but to the technician they are major. There are many who consider computer viruses as the offspring of Dr. Frederick B. Cohen. He created a virus, as part of his doctoral thesis, in an effort to find ways to defend computer systems from self-replicating programs. There are others who claim that computer viruses existed well before 1984 when Dr. Cohen did his research. The debate about the appearance of the first virus will probably continue far into the future. Currently it does not appear likely that computer scientists will agree upon an 'official' definition of the term.

Dr. Cohen first made his research public at the 1984 National Computer Security Conference. He made his findings known to an international audience during his presentation that same year at the International Federation for Information Processing Computer Security Conference in Toronto, Canada, IFIP/Sec '84. That conference was sponsored by IFIP Technical Committee 11 responsible for information processing security. It was attended by several hundred computer security specialists from all over the world. We often tell our lecture audiences about the reaction to his presentation at that meeting. Later in the day, after Dr. Cohen presented his paper, we met with several computer security directors from Europe and Asia. Most of them felt that Dr. Cohen's report was interesting but esoteric. One security director from a major multinational corporation remarked that it was most interesting to him that an American university would provide a young man with a laboratory "to play games." He could see no "practical" application of the research and felt that it too would disappear among the many "useless, academic studies."

- 11- The word “debate” in paragraph 1 is closest in meaning to ..... .  
 1) finding                      2) discussion                      3) experiment                      4) classification
- 12- According to paragraph 1, which of the following is true about the first virus created?  
 1) The jury is still out regarding the appearance of the first virus.  
 2) There is a unanimous agreement that Dr. Cohen created it.  
 3) It was created as part of an academic research to reveal the vulnerability of academic computer systems.  
 4) It was created by Dr. Cohen in the mid-20th century to defend computers from self-replicating programs.
- 13- The word “it” in paragraph 2 refers to ..... .  
 1) world                      2) security                      3) committee                      4) conference
- 14- According to paragraph 2, Dr. Cohen ..... .  
 1) first made his research public by publishing it in a scientific journal  
 2) made his findings known to an international audience in 1984  
 3) made his findings known to an international audience at National Computer Security Conference  
 4) first made his research public at the International Federation for Information Processing Computer Security Conference
- 15- According to the passage, which of the following statements is true?  
 1) Few among the audience agreed that Dr. Cohen’s report was interesting.  
 2) It is possible that the community of computer scientists will soon agree on an “official” definition of the virus.  
 3) One security director from a major multinational corporation dismissed Dr. Cohen’s research as something not very serious.  
 4) National Computer Security Conference was sponsored by IFIP Technical Committee 11 responsible for information processing security.

**PASSAGE 2:**

The programming process can be subdivided into a number of tasks of which debugging is perhaps one of the most pervasive. For example, it is frequently estimated that testing and debugging account for approximately 50% of the cost of new systems development. This situation holds also for the later maintenance phase. Furthermore, the introduction of new approaches such as fourth-generation languages does not immediately threaten much of the current mode of system development and enhancement.

Debugging can be regarded as a problem-solving task in which the interaction between programmers' knowledge structures and environmental variables determines the effectiveness of debugging performance. While acknowledging that individual differences play a major role in debugging effectiveness, this paper investigates one of the environmental variables--the nature of the program bug--to examine its effect on the debugging process. The ultimate aim of the paper is to contribute to a general theory of program bugs.

Debugging studies such as those by Gould & Drongowski (1974) and Gould (1975) addressed the effect of the type of programming language statement containing the bug on debugging performance. They found that assignment bugs were much harder to detect and correct than were array or iteration bugs.

Unfortunately, the routines Gould used were statistical routines and the assignment bugs involved knowledge of statistics, i.e. domain knowledge not commonly possessed by the average programmer. These results highlight the anomalies that may arise when we do not have a general concept of program bugs. Furthermore, they illustrate the need to investigate the nature of bugs if research into debugging is to progress.

- 16- The word “pervasive” in paragraph 1 is closest in meaning to .....  
1) prevalent                      2) difficult                      3) perilous                      4) technical
- 17- The word “they” in paragraph 2 refers to .....  
1) the anomalies                      2) program bugs  
3) these results                      4) statistical routines
- 18- The passage is probably taken from which of the following parts of an article?  
1) Discussion                      2) Introduction                      3) Abstract                      4) Methodology
- 19- According to the passage, which of the following statements is true?  
1) Testing alone accounts for 25% of the cost of new systems development.  
2) Individual differences almost play no role in the effectiveness of debugging.  
3) Based on the debugging studies, array or iteration bugs were less difficult to identify than assignment bugs.  
4) Debugging studies such as those by Gould & Drongowski were published in the second half of the 19th century.
- 20- The passage provides sufficient information to answer which of the following questions?  
I. What is the most frequent task in the programming process?  
II. Who first used the term bug in the context of computer programing?  
III. What is the prerequisite for the progress of research into debugging?  
1) Only I                      2) Only II                      3) I and III                      4) Only III

**PASSAGE 3:**

In parallel with the growing recognition of computer design and engineering as a distinct area of professional activity, computer development moved from universities to the private sector. As has been well documented, many companies entered the field in the 1950s. In fact, individuals from companies rather than universities dominated the organizing committee of the first JCC. This new industry was also where the identity of the computer engineer was ever more solidly linked to preexisting academic credentials (such as degrees in electrical engineering), specialized expertise, control over specific work tasks, and differentiation from other professionals. The case of Engineering Research Associates (ERA) offers further insights about the position of engineers in one pioneering firm. Founded in the mid-1940s, this Minneapolis-based company’s early activities included developing electronic data-processing systems, especially for the US Navy; it was later well known for its stored-program computer, the 1101.

The company’s founders and early personnel included a roughly even mix of mathematicians, electrical engineers, and physicists. Yet as the firm grew, engineers increasingly filled its ranks. Per Arthur Norberg, “40 percent of the 1943 electrical engineering graduates of the University of Minnesota . . . joined ERA

after the war and a significant number . . . of the class of 1951 accepted their first job at ERA.” Additional details can be gleaned from a 1952 personnel directory, which reveals that more than 60 percent of the company’s “professional” staff held engineering degrees. Furthermore, more than 40 percent of this same group had at least one degree in electrical engineering, and between half and two-thirds of the company’s directors and vice presidents held electrical engineering degrees.

- 21- The passage mentions all of the following terms EXCEPT .....
- 1) human resource
  - 2) personnel directory
  - 3) specialized expertise
  - 4) academic credentials
- 22- Why does the author mention ERA in paragraph 1?
- 1) As it was famous for its high-tech laboratories
  - 2) As it was a company where theory and practice best intersected
  - 3) As it demonstrates the position of engineers in a leading company
  - 4) As it was the most advanced engineering firm cooperating with the US Navy
- 23- According to paragraph 2, ERA’s founders and early personnel included all of the following EXCEPT .....
- 1) physicists
  - 2) mathematicians
  - 3) electrical engineers
  - 4) electronics engineers
- 24- According to the passage, which of the following statements is true?
- 1) People from universities rather than companies made up the majority of the organizing committee of the first JCC.
  - 2) Developing electronic data-processing systems was among the early activities of Engineering Research Associates.
  - 3) More than half of the 1943 electrical engineering graduates of the University of Minnesota joined ERA after the war.
  - 4) As the recognition of computer design and engineering as a separate area increased, computer development moved from the industry to the academia.
- 25- The passage provides sufficient information to answer which of the following questions?
- I. Where was computer first invented?
  - II. In which decade was ERA established?
  - III. How many of the US companies’ staff held electrical engineering degrees?
- 1) Only I
  - 2) Only II
  - 3) Only III
  - 4) II and III

ریاضیات (ریاضی عمومی (۱ و ۲)، آمار و احتمال مهندسی، ریاضیات گسسته):

۲۶- اگر به ازای اعداد حقیقی  $x$  و  $y$  تساوی  $xe^{iy} = (1+i)^{\frac{4}{3}}$  برقرار باشد، آنگاه مقادیر  $x$  و  $y$  کدام اند؟ ( $k \in \mathbb{Z}$ )

$$\begin{cases} x = 2\sqrt{2} \\ y = \frac{\pi}{3} + 2k\pi \end{cases} \quad (۲)$$

$$\begin{cases} x = 2\sqrt{2} \\ y = \frac{2k\pi}{3} \end{cases} \quad (۱)$$

$$\begin{cases} x = \sqrt[3]{4} \\ y = \frac{\pi}{3} + 2k\pi \end{cases} \quad (۴)$$

$$\begin{cases} x = \sqrt[3]{4} \\ y = \frac{(2k+1)\pi}{3} \end{cases} \quad (۳)$$

۲۷- فرض کنید  $x \geq 1$ ,  $f(x) = 3 + 2 \int_1^x t f(t) dt$ , مقدار  $f(3)$  کدام است؟

(۱)  $e^2 + 3$

(۲)  $3e^2$

(۳)  $e^8 + 3$

(۴)  $3e^8$

۲۸- فرض کنید  $f(t) = 2 + \int_0^1 (t+x)f(x) dx$ . اگر  $f(\alpha) = 0$ , آنگاه  $\alpha$  کدام است؟

(۱)  $-\frac{1}{2}$

(۲) صفر

(۳)  $\frac{1}{2}$

(۴) ۱

۲۹- بازه همگرایی  $\sum_{n=1}^{\infty} \frac{1 \times 3 \times \dots \times (2n-1)}{2 \times 4 \times \dots \times (2n)} (x-1)^{2n}$  کدام است؟

(۱)  $(0, 2)$

(۲)  $(0, 2]$

(۳)  $[0, 2)$

(۴)  $[0, 2]$

۳۰- تعداد نقاط بحرانی تابع  $z = \frac{1}{x} + \frac{1}{y} + xy$  به شرط  $x+y=2$ , کدام است؟

(۱) ۵

(۲) ۳

(۳) ۲

(۴) ۱

۳۱- مساحت چهارضلعی با معادله  $|x-2y| + |2x+y| \leq 15$  کدام است؟

(۱) ۴۵۰

(۲) ۲۲۵

(۳) ۱۸۰

(۴) ۹۰

۳۲- فرض کنید  $w(b)$  کار انجام شده توسط نیروی  $\vec{F}(x, y, z) = (y+z)\hat{i} + (x+z)\hat{j} + (x+y)\hat{k}$ , روی

مسیر  $\vec{r}(t) = (t^3+1, t, t^2)$  در بازه زمانی  $[0, b]$  باشد. اگر  $w(b) = 5$ , آنگاه مقدار  $b$  کدام است؟

(۱) صفر

(۲)  $\frac{1}{2}$

(۳) ۱

(۴) ۲

۳۳- اگر احتمال  $P(A \cup B) = 0.7$  و  $P(A \cup B') = 0.9$  باشد،  $P(A)$  کدام است؟

(۱)  $0.3$

(۲)  $0.4$

(۳)  $0.6$

(۴)  $0.8$

۳۴- یک فروشگاه دارای ۸۰ مودم است که ۳۰ مودم از منبع A و مابقی از منبع B هستند. از بین مودم‌های موجود در منبع A، ۲۰٪ معیوب و از بین مودم‌های موجود در منبع B، ۸٪ معیوب هستند. احتمال اینکه دقیقاً ۲ مودم از ۵ مودمی که بدون جایگذاری انتخاب شده‌اند معیوب باشند، کدام است؟

(۱)  $\frac{3^3}{4^5}$

(۲)  $\frac{7^3}{8^5}$

(۳)  $10 \frac{3^3}{4^5}$

(۴)  $10 \frac{7^3}{8^5}$

۳۵- طول عمر یک قطعه در ماشین، دارای یک توزیع پیوسته در بازه  $(0, 40)$  با تابع چگالی احتمال  $f(x)$  است که در آن،  $f(x) \propto (10+x)^{-2}$  است. احتمال اینکه طول عمر قطعه کمتر از ۶ باشد، تقریباً کدام است؟

(۱)  $0.15$

(۲)  $0.47$

(۳)  $0.53$

(۴)  $0.94$

۳۶- فرض کنید متغیر تصادفی  $X$ ، تعداد مصاحبه‌های یک دانشجو برای یافتن یک شغل باشد که دارای تابع چگالی احتمال

زیر است.  $k$  به گونه‌ای انتخاب می‌شود که  $\sum_{x=1}^{\infty} \frac{k}{x^2} = 1$ . متوسط تعداد مصاحبه‌ها برای یافتن شغل، کدام است؟

$$f(x) = \begin{cases} \frac{k}{x^2}, & x = 1, 2, 3, \dots \\ 0, & \text{در غیر این صورت} \end{cases}$$

(۱)  $k$

(۲)  $k^2$

(۳)  $\frac{1}{k}$

(۴) وجود ندارد.



۳۷- فرض کنید  $X$  و  $Y$  دارای تابع احتمال توأم زیر باشند.  $P(X < Y | X < 2Y)$  کدام است؟

$$f_{X,Y}(x, y) = e^{-(x+y)} I_{(0, \infty)}(x) I_{(0, \infty)}(y)$$

(۱)  $\frac{1}{2}$

(۲)  $\frac{1}{3}$

(۳)  $\frac{1}{4}$

(۴)  $\frac{3}{4}$

۳۸- فرض کنید در جامعه‌ای با میانگین  $\mu$  و انحراف معیار  $\sigma = 6$ ،  $\bar{X}$  میانگین نمونه‌هایی به اندازه ۱۰۰ از این جامعه

باشد.  $\bar{X} - \mu$  با احتمال ۰٫۹، در کدام بازه قرار می‌گیرد؟ ( $\Phi^{-1}(0.9) = 1.28$  و  $\Phi^{-1}(0.95) = 1.64$ )

(۱)  $(-0.768, 0.768)$

(۲)  $(-0.984, 0.984)$

(۳)  $(-1.28, 1.28)$

(۴)  $(-1.64, 1.64)$

۳۹- برای بررسی اثر داروی A در پایین نگه‌داشتن اضطراب، ۱۶ نفر مورد آزمایش قرار گرفته‌اند و میزان اضطراب

قبل از مصرف دارو (X) و پس از مصرف دارو (Y) به مدت ۶ ماه اندازه گرفته شد. خلاصه اطلاعات به صورت

زیر است:

$$\bar{x} = 17, \quad \bar{y} = 14, \quad s_x^2 = 26, \quad s_y^2 = 25, \quad s_{xy} = -24/5, \quad \bar{d} = \bar{x} - \bar{y} = 3$$

علاقه‌مند به آزمون  $H_0: \mu_d = 0$  در مقابل  $H_1: \mu_d > 0$  هستیم. مقدار آماره آزمون، کدام است؟

(۱)  $1/2$

(۲)  $1/8$

(۳)  $2$

(۴)  $2/1$

۴۰- کوچک‌ترین مقدار  $m$  چقدر است، به طوری که در هر زیرمجموعه  $m$  عضوی از مجموعه  $\{1, 2, \dots, 60\}$ ،

سه عدد  $a, b, c$  موجود باشند و  $a + b + c$  مضرب ۴ باشد؟

(۱)  $16$

(۲)  $17$

(۳)  $30$

(۴)  $31$

۴۱- ۲۰ مشتری بانک به چند طریق می‌توانند جلوی ۲ باجه صف تشکیل دهند، هرگاه در هر باجه حداقل ۱ نفر

ایستاده باشد؟ (جلوی هر باجه، حداقل ۱ و حداکثر ۱۹ نفر می‌توانند بایستند و مجموع افراد ۲ صف، همان

۲۰ مشتری هستند.)

(۱)  $19 \times 20!$

(۲)  $18 \times 20!$

(۳)  $21!$

(۴)  $20!$

۴۲- در چند زیرمجموعه از  $X = \{1, 2, \dots, 20\}$ ، تعداد اعضای زیرمجموعه یا مجموع اعضای زیرمجموعه، زوج است؟

(۱)  $2^{18}$

(۲)  $2^{19}$

(۳)  $5 \times 2^{17}$

(۴)  $3 \times 2^{18}$

۴۳- دستگاه معادلات زیر در مجموعه اعداد طبیعی، چند دسته جواب دارد؟

$x + y + z = 10 = a + b + c + d$

(۲)  $\binom{9}{2} + \binom{9}{3}$

(۱)  $\binom{9}{2} \times \binom{9}{3}$

(۴)  $\binom{11}{2} + \binom{11}{3}$

(۳)  $\binom{11}{2} \times \binom{11}{3}$

۴۴- یک مربع به ضلع ۱۰ را به مربعات واحد افراز کرده‌ایم. هر مربع  $3 \times 3$  را در آن، یک رأس گراف  $G$  در نظر بگیرید. دو رأس مجاورند، اگر سطح دو مربع متناظرشان ناحیه مشترک نداشته باشند. مقادیر مینیمم درجه و ماکزیمم درجه به ترتیب کدام‌اند؟

(۲) ۳۹ و ۵۵

(۱) ۴۸ و ۳۹

(۴) ۵۵ و ۶۳

(۳) ۴۸ و ۵۵

۴۵- گراف دوری  $C_{10}$  را در نظر بگیرید. گراف جدید  $G$  را به صورت زیر تعریف می‌کنیم:

هر مسیر به طول ۳ در  $C_{10}$  را یک رأس  $G$  در نظر می‌گیریم و دو رأس  $G$  مجاورند هرگاه مسیرهای متناظر یال مشترک نداشته باشند. گراف  $G$ ، چند یال دارد؟

(۱) ۱۵

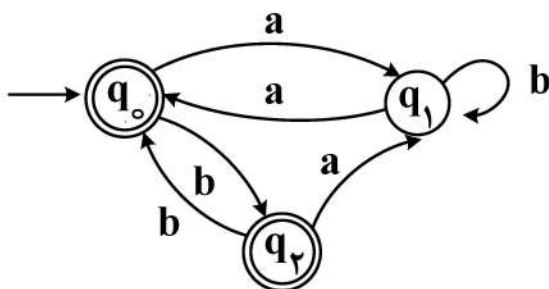
(۲) ۲۰

(۳) ۲۵

(۴) ۳۰

مجموعه دروس تخصصی (نظریه زبان‌ها و ماشین‌ها، سیگنال‌ها و سیستم‌ها):

۴۶- ماشین متناهی  $M$  به شکل زیر، مفروض است.  $L(M)$  معادل زبان تعریف شده توسط کدام مورد است؟



(۱)  $S \rightarrow Sb \mid aAb \mid \epsilon$   
 $A \rightarrow Sa \mid bAa$

(۲)  $S \rightarrow Sb \mid Ab \mid \epsilon$   
 $A \rightarrow Sa \mid Ab$

(۳)  $(aa \mid abab \mid abaab^*a \mid b)^*$

(۴)  $S \rightarrow bS \mid aAaS \mid aAbaS \mid \epsilon$   
 $A \rightarrow aS \mid bA$

۴۷- کدام مورد، درست است؟

- (۱) زبان‌های شمارش‌پذیر بازگشتی، نسبت به عمل مکمل بسته‌اند.
- (۲) تعداد ماشین‌های تورینگ غیرهم‌ارز، برابر با تعداد زبان‌هاست.
- (۳) تمام زبان‌های پذیرفته‌شده توسط ماشین تورینگ، شمارش‌پذیر بازگشتی هستند.
- (۴) به ازای تمام زبان‌هایی که ماشین تورینگ پذیرنده دارند، می‌توان الگوریتم عضویت پیشنهاد داد.

۴۸- کدام یک از زبان‌های زیر، مستقل از متن نیست؟

- (۱)  $L = \{a^t b^t c^{2t} \mid t > 0\}$
- (۲)  $L = \{a^t b^{t+m} c^m \mid t, m > 0\}$
- (۳)  $L = \{a^t b^m c^{t+m} \mid t, m > 0\}$
- (۴)  $L = \{a^t b^{t-m} c^m \mid t > m > 0\}$

۴۹- کدام مورد، درست است؟

- (۱) الگوریتم پویش (parsing) برای زبان‌های مستقل از متن، همیشه از مرتبه‌نمایی است و به فرم گرامر وابسته نیست.
- (۲) اگر گرامر یک زبان مستقل از متن، به فرم نرمال چامسکی باشد، آنگاه می‌توان الگوریتم پویش (parsing) با مرتبه خطی از طول رشته‌های آن زبان داشت.
- (۳) اگر گرامر یک زبان مستقل از متن، گرامری ساده (s-grammar) باشد، آنگاه می‌توان الگوریتم پویش (parsing) با مرتبه خطی از طول رشته‌های آن زبان داشت.
- (۴) اگر قوانین لامبدا (اپسیلون) ( $\lambda$ -Productions) را از یک گرامر یک زبان مستقل از متن حذف کنیم، آنگاه می‌توان الگوریتم پویش (parsing) با مرتبه خطی از طول رشته‌های آن زبان داشت.

۵۰- کدام مورد، زبان تولیدشده توسط گرامر زیر را توصیف می‌کند؟

$$S \rightarrow aSc \mid aS \mid A$$

$$A \rightarrow bAcc \mid bA \mid bAc \mid \epsilon$$

- (۱)  $\{a^m b^n c^p \mid 2m + n \geq p\}$
- (۲)  $\{a^m b^n c^p \mid m + 2n \geq p\}$
- (۳)  $\{a^m b^n c^p \mid m + n > p\}$
- (۴)  $\{a^m b^n c^p \mid 2m + 2n \geq p\}$

۵۱- یک سیستم پیوسته با رابطه  $y(t)(x'(t) - 1) = 2$  و یک سیستم گسسته با رابطه  $y[n] = (n+1)2^{x[n]}$

توصیف شده‌اند. در مورد این دو سیستم، کدام گزاره درست است؟

- (۱) هر دو سیستم، علی هستند.
- (۲) هر دو سیستم، خطی هستند.
- (۳) هر دو سیستم، وارون‌پذیر هستند.
- (۴) هر دو سیستم، تغییرناپذیر با زمان هستند.

۵۲- اگر ضرایب سری فوریه سیگنال  $x(t)$  را  $a_k$  در نظر بگیریم، ضرایب سری فوریه سیگنال  $y(t) = x(2+3t)$

برحسب  $a_k$  کدام است؟ (دوره تناوب سیگنال  $x(t)$ ، برابر ۲ است.)

- (۱)  $a_k e^{jk\pi}$
- (۲)  $a_k e^{2jk\pi}$
- (۳)  $a_k e^{\frac{jk\pi}{2}}$
- (۴)  $a_k e^{\frac{3}{2}jk\pi}$

$$-۵۳ \quad H(e^{j\omega}) = \begin{cases} \cos(\omega) & 0 \leq |\omega| \leq \frac{\pi}{2} \\ 0 & \frac{\pi}{2} \leq |\omega| \leq \pi \end{cases} \quad \text{اگر}$$

پاسخ فرکانسی سیستم ۱ با پاسخ ضربه  $h_1[n]$  باشد و پاسخ

ضربه سیستم ۲ به صورت  $h_2[n] = (-1)^n h_1[n]$  باشد، در مورد سیستم ۲ چه می توان گفت؟

(۱) یک فیلتر تمام گذر است.

(۲) یک فیلتر میان گذر است.

(۳) یک فیلتر پایین گذر است.

(۴) یک فیلتر بالاگذر است.

-۵۴ تابع تبدیل سیستمی، به شرح روبهرو است.

$$H(s) = \frac{s-2}{s^2+s-2}$$

کدام مورد در خصوص این سیستم، نادرست است؟

(۱) می تواند علی و ناپایدار باشد.

(۲) می تواند علی و پایدار باشد.

(۳) می تواند غیرعلی و ناپایدار باشد.

(۴) می تواند غیرعلی و پایدار باشد.

-۵۵ پاسخ یک سیستم گسسته LTI غیرعلی با تابع تبدیل  $H(z) = \frac{1-2z^{-1}}{1-3z^{-1}}$  به ورودی  $x[n] = 2^n u[n]$

کدام است؟

(۱)  $y[n] = 3^n u[n-1]$

(۲)  $y[n] = 3^n u[n+1]$

(۳)  $y[n] = -3^n u[-n-1]$

(۴)  $y[n] = -3^n u[-n]$

مجموعه دروس تخصصی ۲ (ساختمان داده‌ها، طراحی الگوریتم و هوش مصنوعی):

-۵۶ گوییم  $\{h\}$  تابع است  $H = \{h : U \rightarrow \{0, 1, 2, \dots, m-1\}\}$  یک خانواده از درهم‌سازهای سراسری (universal)

است، هرگاه برای هر  $h \in H$  و  $K_1, K_2 \in U$  داشته باشیم  $\Pr(h(K_1) = h(K_2)) \leq \frac{1}{m}$ . اگر مجموعه  $H$  که فقط

متشکل از توابعی به شکل  $h_{ab}(x) = ((ax + b) \bmod n) \bmod 2^o$ ، یک خانواده درهم‌ساز سراسری باشد، آنگاه

در مورد تعداد عناصر  $H$  چه می توان گفت؟

(۱)  $H$  می تواند ۳۸ عضو داشته باشد.

(۲)  $H$  می تواند ۴۲ عضو داشته باشد.

(۳)  $H$  می تواند ۵۰۶ عضو داشته باشد.

(۴)  $H$  می تواند ۶۵ عضو داشته باشد.

۵۷- آرایه  $A$  به طول  $n$  را  $-K$  مرتب می‌کنیم. هرگاه برای هر  $i$  که  $k \leq i \leq n-k$  داشته باشیم

$$A[i-k] \leq A[i] \leq A[i+k]$$

یعنی آرایه  $A$  به  $k$  لیست مرتب که هر کدام تقریباً  $\frac{n}{k}$  عنصر

دارند افزاز می‌شود. فرض کنید  $A$  یک آرایه  $-k$  مرتب به طول  $n$  باشد. سریع‌ترین الگوریتم برای تبدیل این آرایه به یک آرایه  $-1$  مرتب، از چه مرتبه زمانی است؟

(۱)  $O(n)$       (۲)  $O(nk)$

(۳)  $O(k \log n)$       (۴)  $O(n \log k)$

۵۸- فرض کنید  $G = (V, E)$ ، یک گراف همبند وزن دار باشد. چند مورد از گزاره‌های زیر درست است؟

- اگر وزن تمام یال‌های گراف با هم برابر باشد، می‌توان درخت فراگیر کمینه آن را با الگوریتمی از مرتبه  $O(|E|)$  به دست آورد.

- اگر  $G$  گراف جهت‌دار باشد، یافتن دور در این گراف را می‌توان در مرتبه  $O(|V| + |E|)$  محاسبه کرد.

- چنانچه وزن یال‌های گراف دوبه‌دو متمایز باشند، الگوریتم پریم و کروسکال دارای جواب یکسانی هستند.

- الگوریتم پریم را می‌توان به نحوی پیاده‌سازی کرد که همواره مرتبه آن بدتر از الگوریتم کروسکال نباشد.

(۱) ۱      (۲) ۲

(۳) ۳      (۴) ۴

۵۹- رشته‌هایی که از دو طرف یکسان خوانده می‌شوند پالیندروم (Palindrome) نامیده می‌شوند (مانند  $abcba$ ). برای

محاسبه بزرگ‌ترین زیررشته پالیندروم یک رشته به طول  $n$ ، یک الگوریتم پویا کارا به ترتیب از راست به چپ دارای چه مرتبه زمان و حافظه است؟

(۱)  $O(n^2), O(n^2)$       (۲)  $O(n), O(n^2)$

(۳)  $O(n), O(n \log n)$       (۴)  $O(n), O(n)$

۶۰- فرض کنید  $s$  رشته‌ای به طول  $n$  باشد. می‌خواهیم بزرگ‌ترین زیررشته به شکل  $ww$  را در این آرایه بیابیم که طول

آن را با  $(S)$  LDS (Longest Double String) نشان می‌دهیم. در این صورت رابطه بازگشتی طول بزرگ‌ترین زیررشته (LDS) چیست؟ (توجه کنید LCS تابعی است که طول بزرگ‌ترین زیررشته مشترک دو رشته ورودی را برمی‌گرداند.)

$$\max_{1 \leq p < n} \text{LCS}(S[1..p], S[p+1..n])$$

$$\max \text{LCS}\left(S\left[1.. \left\lfloor \frac{p}{2} \right\rfloor\right], S\left[\left\lceil \frac{p}{2} \right\rceil .. n\right]\right)$$

$$2 \max \text{LCS}(S[1..p], S[p+1..n])$$

$$2 \max \text{LCS}\left(S\left[1.. \left\lfloor \frac{p}{2} \right\rfloor\right], S\left[\left\lceil \frac{p}{2} \right\rceil .. n\right]\right)$$

۶۱- تابع بازگشتی زیر را در نظر بگیرید:

```
int f(int n)
{
    if(n == 0 || n == 1) return (n + 1);
    else if (n == 2) return ۴;
    return (f(n - 1) + ۲ * f(n - ۲) + f(n - ۳));
}
```

برای  $n \geq 3$ ، کدام گزینه بهترین کاندید برای  $f(n)$  است؟

(۱)  $f(n) \leq 2^n$       (۲)  $f(n) \leq 3^n$

(۳)  $f(n) \leq 2^{n+1}$       (۴)  $f(n) \leq 4^n$

۶۲- فرض کنید آرایه‌ای به طول  $n$  داریم که به شکل حلقوی مرتب صعودی است. برای مثال آرایه زیر:

۴۰	۵۰	۶۰	۷۰	۸۰	۹۰	۱۰	۲۰	۳۰
----	----	----	----	----	----	----	----	----

می‌خواهیم الگوریتمی بنویسیم که  $\lfloor \sqrt{n} \rfloor$  امین کوچک‌ترین عنصر این آرایه را بیابیم، مرتبه زمانی این الگوریتم چیست؟

(۱)  $O(n)$       (۲)  $O(\sqrt{n})$

(۳)  $O(\log^2 n)$       (۴)  $O(\log n)$

۶۳- بهترین پیچیدگی زمانی مورد نیاز برای محاسبه مجموع دو جمله  $i$  ام و  $j$  ام از دنباله فیبوناچی چیست؟

(۱)  $O(i * j)$       (۲)  $O(\max\{i, j\})$

(۳)  $O(2^i + 2^j)$       (۴)  $O(\max\{2^i, 2^j\})$

۶۴- هر یک از کارهای زیر در یک واحد زمان قابل اجرا است. هر یک از این کارها دارای یک زمان خاتمه است و در صورتی که بعد از زمان خاتمه انجام شود مشمول یک جریمه خواهد شد. اگر این کارها را برای اجرا به کم‌ترین جریمه زمان بندی کنیم، مقدار جریمه چقدر است؟

work	$w_1$	$w_2$	$w_3$	$w_4$	$w_5$	$w_6$	$w_7$	(۱) ۲۸
Deadline	۱۰	۲	۳	۳	۲	۵	۱	(۲) ۴۳
Penalty	۱۰	۴۵	۵۵	۶۵	۷۰	۳۳	۱۸	(۳) ۵۱
								(۴) ۶۳

۶۵- فرض کنید که در الگوریتم مرتب‌سازی سریع برای انتخاب محور از میان  $n$  عنصر آرایه  $1 + \lfloor \log n \rfloor$  عنصر اولیه را انتخاب کنیم و با الگوریتم مرتب‌سازی درجی آنها را مرتب کنیم. عنصر میانه این تعداد عنصر مرتب را به عنوان محور انتخاب می‌کنیم. بقیه الگوریتم همانند الگوریتم مرتب‌سازی عمل می‌کند. بهترین گزینه برای بدترین زمان اجرای این الگوریتم کدام است؟

(۱)  $T(n) = T(n - \lfloor \log n \rfloor) + O(n)$

(۲)  $T(n) = T(n - \lfloor \log n \rfloor) + O(\log^2 n)$

(۳)  $T(n) = T(n - \lfloor \log n \rfloor) + T(\lfloor \log n \rfloor) + O(n)$

(۴)  $T(n) = T(n - \lfloor \log n \rfloor) + T(\lfloor \log n \rfloor) + O(\log^2 n)$

۶۶- فرض کنید  $f(n) = n$  و  $g(n) = n^{(1+\sin n)}$ ، که  $n$  یک عدد صحیح مثبت است. کدام یک از گزاره‌های زیر درست است؟

I.  $f(n) = O(g(n))$

II.  $f(n) = \Omega(g(n))$

(۲) فقط II

(۱) فقط I

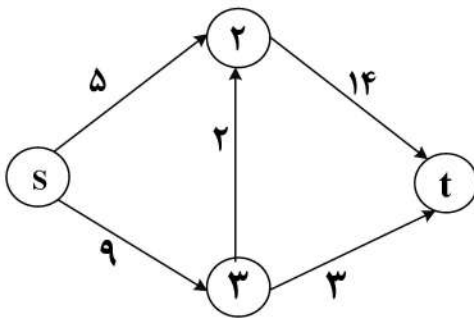
(۴) هم I و هم II

(۳) نه I و نه II

۶۷- چند مورد از گزاره‌های زیر درست است؟

- هر الگوریتم که ضرب دو ماتریس را محاسبه کند، می‌تواند در همان مرتبه وارون یک ماتریس را محاسبه کند و بالعکس.

- برای محاسبه ضرب دو چندجمله‌ای از درجه ۱۶ تعداد فراخوانی‌های لازم با استفاده از الگوریتم تقسیم و حل، وقتی که چندجمله‌ای حداکثر از درجه ۴، چندجمله‌ای کوچک تلقی می‌شود برابر است با ۱۳.  
- در شبکه جریان داده شده شکل زیر اگر فقط مجاز به افزایش ظرفیت یک یال باشیم، حداکثر می‌توان ۷ واحد به ظرفیت یک یال اضافه کرد تا شبکه حداکثر جریان عبوری را داشته باشیم.



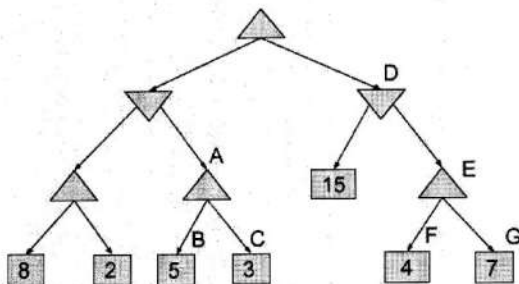
(۱) صفر

(۲) ۱

(۳) ۲

(۴) ۳

۶۸- درخت بازی زیر را در نظر بگیرید و فرض کنید از الگوریتم هرس آلفا - بتا برای پیدا کردن حرکت بهینه استفاده شده است. کدام گره‌ها هرس می‌شوند؟



(۱) G و C

(۲) G و F, E

(۳) C و B, A

(۴) هیچ گره‌ای هرس نمی‌شود.

۶۹- یک مسئله ارضای محدودیت CSP، دارای گراف محدودیت است. کدام مورد، درست است؟

(۱) این مسئله، فقط دارای محدودیت‌های یگانی است.

(۲) این مسئله، دارای محدودیت‌های دوگانی است.

(۳) این مسئله، دارای محدودیت‌های چندگانه است.

(۴) بدون مشاهده گراف محدودیت آن، نمی‌توان نظر داد.

۷۰- کدام مسئله زیر را نمی‌توان با روش تپه‌نوردی با شروع مجدد تصادفی حل کرد؟

(۲) پازل ۸

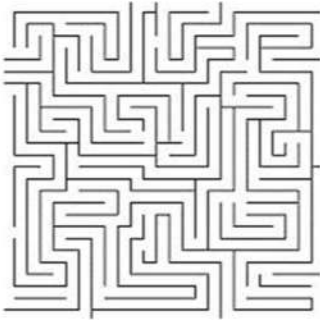
(۱) ۸ وزیر

(۴) فروشنده دوره‌گرد

(۳) رنگ کردن نقشه

۷۱- در یک جست‌وجوی  $A^*$  درختی، از  $n$  تابع مکاشفه قابل قبول به این صورت استفاده می‌کنیم که برای هر گره، جهت محاسبه تابع هزینه  $f$ ، یکی از این  $n$  تابع با احتمال مساوی انتخاب می‌شود. از آنجا که این انتخاب تصادفی است، ممکن است در گره‌های مختلف از توابع مختلف استفاده شود. در پایان جست‌وجو، کدام مورد اتفاق می‌افتد؟

- (۱) حتماً گره بهینه برگردانده می‌شود.
  - (۲) ممکن است یک گره غیرهدف برگردانده شود.
  - (۳) یکی از گره‌های هدف که حتماً غیربهینه است، برگردانده می‌شود.
  - (۴) یکی از گره‌های هدف که ممکن است بهینه نباشد، برگردانده خواهد شد.
- ۷۲- در صورتی که دو ربات در دو نقطه متفاوت از هزارتوی به شکل زیر که از هر طرف نامحدود است، قرار داشته باشند و بخواهند یکدیگر را پیدا کنند، در چه حالتی ممکن است پاسخ بهینه به دست آید؟



- (۱) هر دو، از روش اول عمق استفاده کنند.
  - (۲) هر دو، از روش اول سطح استفاده کنند.
  - (۳) یکی از ربات‌ها ساکن بماند و دیگری، با روش اول عمق آن را پیدا کند.
  - (۴) یکی از ربات‌ها از روش اول سطح و دیگری، از روش اول عمق استفاده کند.
- ۷۳- در خصوص عبارتهای زیر، کدام مورد درست است؟

$$P_1 : (a \wedge b) \models (a \vee b)$$

$$P_2 : (a \wedge b) \models (a \wedge b)$$

- (۱) هر دو عبارت،  $P_1$  و  $P_2$ ، درست هستند.
  - (۲) هر دو عبارت  $P_1$  و  $P_2$ ، نادرست هستند.
  - (۳)  $P_1$  درست است، ولی  $P_2$  نادرست است.
  - (۴)  $P_1$  نادرست است، ولی  $P_2$  درست است.
- ۷۴- کدام مورد، درست است؟

- (۱) روش  $SMA^*$  و RBFS، از استفاده کم از حافظه رنج می‌برند.
- (۲) روش هزینه یکنواخت، یک حالت خاص از روش اول سطح است.
- (۳) در روش  $A^*$  ساختمان داده مجموعه کاندیداها (Fringe)، یک صف اولویت‌دار است.
- (۴) برای حل مسائل ارضاء محدودیت با  $n$  متغیر با روش پسگرد هزینه راه‌حل مستقل از مقدار  $n$  می‌باشد.

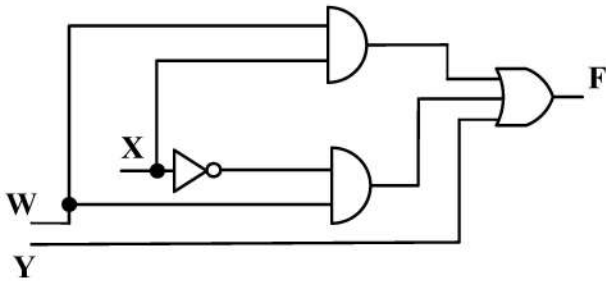
۷۵- در یک درخت جست‌وجو، اگر هزینه راه‌حل بهینه  $C^*$  و حداقل هزینه گام  $\epsilon$  باشد، نسبت  $\left\lceil \frac{C^*}{\epsilon} \right\rceil$ ، به جای کدام پارامتر زیر استفاده می‌شود؟

- (۱) ضریب انشعاب  $b$
- (۲) عمق کم عمق‌ترین گره هدف  $d$
- (۳) ضریب انشعاب مؤثر  $b^*$
- (۴) حداکثر عمق درخت  $m$



دروس تخصصی ۳ (مدار منطقی، معماری کامپیوتر و الکترونیک دیجیتال):

۷۶- با در نظر گرفتن یک واحد تأخیر برای هر گیت در مدار زیر، ورودی به چه صورت تغییر کند تا در خروجی هزارد مشاهده شود؟ ترتیب ورودی را به صورت WXY در نظر بگیرید.



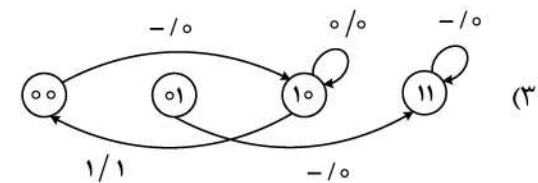
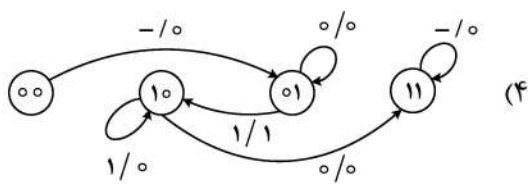
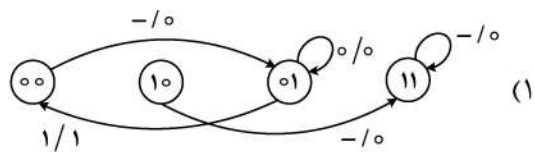
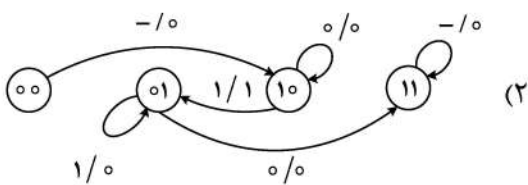
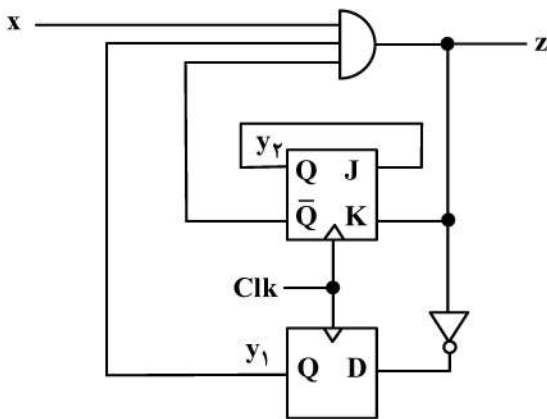
۱۰۱ → ۱۱۱ (۲)

۱۰۰ → ۱۱۰ (۱)

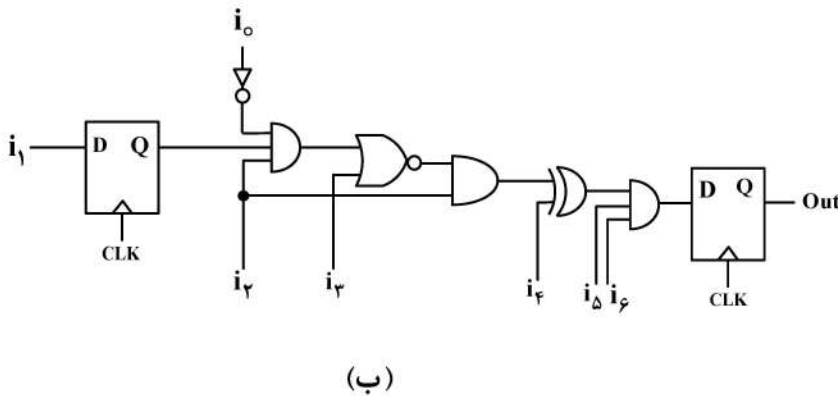
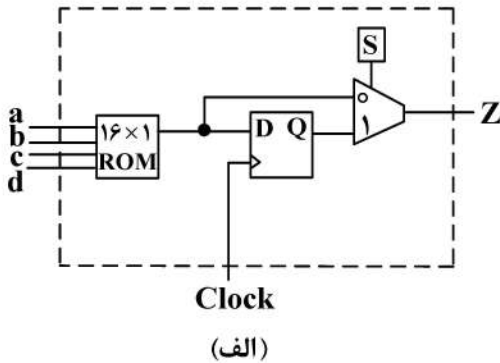
۱۱۱ → ۱۰۱ (۴)

۱۱۰ → ۱۰۰ (۳)

۷۷- مدار ترتیبی زیر با ورودی X و خروجی Z را در نظر بگیرید. کدام مورد، ماشین حالت این مدار را نشان می‌دهد؟ (متغیرهای حالت به صورت  $y_1, y_2$  در نظر گرفته شوند.)

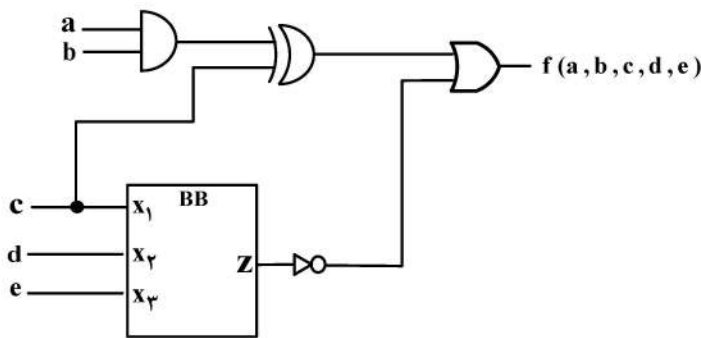


۷۸- فرض کنید یک تراشه (آی سی) برنامه پذیر در اختیار داریم که در آن، آرایه‌ای از بلوک‌ها مانند شکل (الف) وجود دارد. مدار سطح گیت شکل (ب) بدون ساده‌سازی، حداقل به چه تعداد از این بلوک‌ها نیاز دارد؟ (محتوای ROM و خط انتخاب مالتی‌پلکسر (S)، قابل برنامه‌ریزی هستند.)



- ۲ (۱)
- ۳ (۲)
- ۴ (۳)
- ۵ (۴)

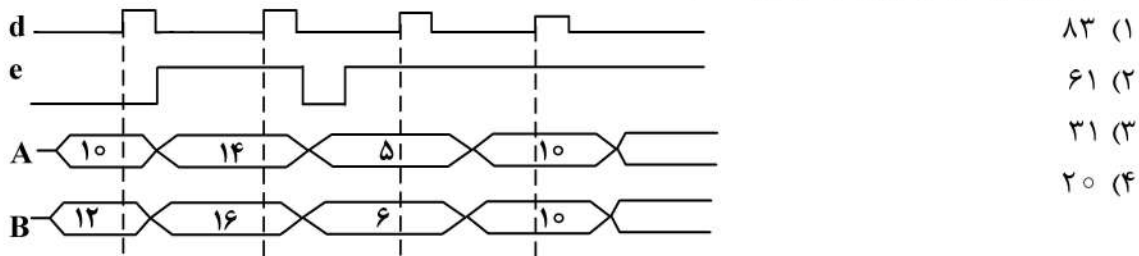
۷۹- شکل زیر، مدار سطح گیت تابع f را نشان می‌دهد که بخشی از این تابع، با عنوان بلوک BB با جدول درستی مشخص شده است. تابع f، کدام مورد است؟



$x_1$	$x_2$	$x_3$	$z$
۰	۰	۰	۱
۰	۰	۱	۱
۰	۱	۰	۰
۰	۱	۱	۰
۱	۰	۰	۱
۱	۰	۱	۱
۱	۱	۰	۱
۱	۱	۱	۱

- (۱)  $(a + c + d)(b + c + d)(a' + b' + c')$
- (۲)  $(a' + c' + d')(b' + c' + d')(a + b + c)$
- (۳)  $(c + d')(a + c')(b + c')(a' + b' + c)$
- (۴)  $(c' + d)(a' + c)(b' + c)(a + b + c')$

۸۰- کد Verilog/VHDL زیر را در نظر بگیرید. با توجه به مقادیر ورودی ها که به صورت شکل موج داده شده اند، مقدار خروجی Z پس از چهار سیکل، کدام است؟



```
module exam(A, B, d, e, z);
  input A,B, d, e;
  output z;
  wire [7:0] A, B;
  wire d, e;
  reg [7:0] z;
```

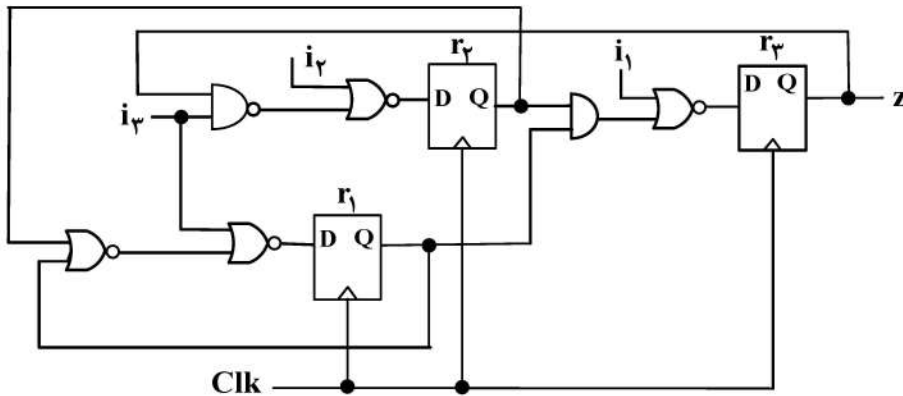
```
  always @(posedge d or negedge e)
    if ( !e ) begin
      z <= 0;
    end else begin
      z <= z + A + B;
    end
endmodule
```

```
entity exam is
  port(
    d, e : in bit;
    A, B : in signed (7 downto 0);
    z : out signed (7 downto 0));
end entity exam;
```

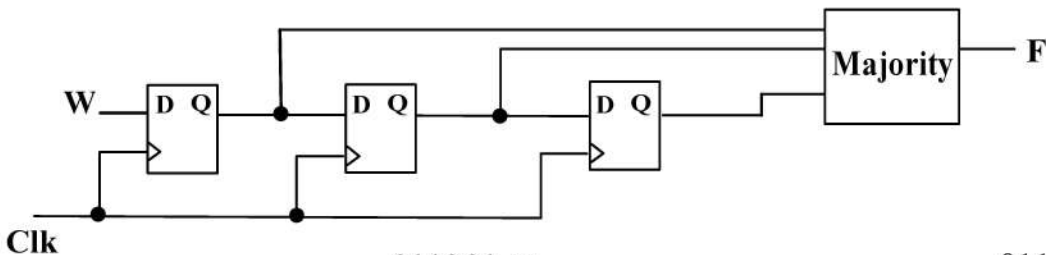
```
architecture AR of exam is
begin
  process(d, e)
  begin
    if e = '0' then
      z <= (others => '0');
    elsif rising_edge(d) then
      z <= z + A + B;
    end if;
  end process;
end AR;
```

۸۱- مدار ترتیبی زیر با ورودی‌های  $i_1$  الی  $i_3$  و خروجی  $z$  را در نظر بگیرید. فرض کنید که  $arrival\ time$  ورودی‌ها صفر است. با توجه به اطلاعات زمانی داده شده از فلیپ‌فلاپ‌ها و گیت‌ها، ماکزیمم فرکانس کاری مدار، تقریباً چند مگاهرتز است؟

- DFFS :  $T_{setup} = fns$       تأخیر گیت‌ها:  $T_{NAND} = T_{NOR} = \Delta ns$       (۱) ۵۰
- $T_{hold} = 3ns$        $T_{AND} = 7ns$       (۲) ۵۵/۵۶
- $T_{clk-to-q} = 4ns$       (۳) ۶۲/۵
- (۴) ۷۱/۴۲۹



۸۲- اگر رشته "110101" (از چپ به راست) به ورودی  $W$  اعمال شود، خروجی این مدار، کدام رشته خواهد بود؟ خروجی اولیه فلیپ‌فلاپ‌ها را صفر در نظر بگیرید. Majority: مداری است که اگر حداقل دو ورودی از سه ورودی یک باشند، خروجی یک می‌شود.



- Clk      011001 (۲)      011010 (۱)
- 011101 (۴)      010101 (۳)

۸۳- یک سیستم حافظه اصلی با ظرفیت ۲G بایت و حافظه نهان با ظرفیت ۲۵۶ Kw ( $w$ : یک کلمه معادل ۴ بایت) است. حافظه نهان از روش ۲-way set associative استفاده می‌کند و اندازه هر بلاک در آن، ۱۶ بایت است. تعداد بیت‌های  $index$  و  $TAG$  به ترتیب کدام‌اند؟

- (۱) ۱۱ و ۱۶      (۲) ۱۵ و ۱۲
- (۳) ۱۱ و ۱۵      (۴) ۱۶ و ۱۲

۸۴- یک سیستم نمایش اعداد ممیز شناور را در نظر بگیرید که بخش‌های مانتیس ۴ بیت، توان ۳ بیت و علامت یک بیت باشند (مطابق جدول زیر). نمایش توان  $biased-4$  و نمایش مانتیس  $implicit\ one\ representation$  فرض شده است. نمایش عدد دهدهی  $+0.75$  در این صورت کدام است؟ (گزینه‌ها در مبنای ۱۶ هستند).

- (۱) ۳۱
- (۲) ۳۸
- (۳) ۴۳
- (۴) ۴۵

مانتیس	توان	علامت
۴ bit	۳ bit	۱ bit

۸۵- دو پیاده‌سازی مختلف از یک معماری مجموعه دستورات را در نظر بگیرید. این دستورات براساس میزان متوسط تعداد پالس‌های ساعت برای اجرای هر دستور (CPI)، به چهار کلاس مختلف با نام‌های A, B, C و D تقسیم شده‌اند. مقادیر CPI در هر کلاس و درصد استفاده از کلاس‌های دستورات در دو پیاده‌سازی مختلف P1 و P2 مطابق با جدول زیر است. در پیاده‌سازی اول (P1)، نرخ پالس ساعت ۲/۴ GHz و در پیاده‌سازی دوم (P2) ۳ GHz است. در اجرای یک برنامه با ۱۰<sup>۶</sup> دستور، کدام پیاده‌سازی و چند برابر سریع‌تر است؟

	درصد استفاده در برنامه				مقدار CPI در هر کلاس			
	A	B	C	D	A	B	C	D
P1	۳۰	۲۰	۴۰	۱۰	۱	۳	۲	۱
P2	۲۰	۵۰	۲۰	۱۰	۱	۱	۳	۲

(۱) P2 و ۱/۵

(۲) P2 و ۲

(۳) P1 و ۱/۵

(۴) P1 و ۲

۸۶- برای افزایش کارایی یک پردازنده، در بخش جمع‌کننده از واحد محاسبات و منطق (ALU) آن، به اندازه ۲ برابر تسریع ایجاد شده است. در صورتی که احتمال استفاده از جمع‌کننده در اجرای برنامه‌ها برابر ۲۰ درصد و احتمال استفاده از واحد محاسبات و منطق برابر ۷۰ درصد باشد، میزان تسریع پردازنده در اجرای برنامه‌ها، کدام است؟

(۲) ۱/۸

(۱) ۱/۰۷

(۴) ۱/۵۳

(۳) ۱/۱۲

۸۷- کدام یک از موارد زیر، مشخص‌کننده Subroutine مربوط به عملیات INDRCT (دسترسی به آدرس غیرمستقیم) در یک واحد کنترل مبتنی بر ریزبرنامه است؟

NOP	I	CALL	INDRCT	NOP	S	JMP	OVER	
ACTDR	U	JMP	NEXT	(۲)	NOP	U	JMP	FETCH
WRITE	U	JMP	FETCH					
READ	U	JMP	NEXT	PCTAR	U	JMP	NEXT	
DRTAR	U	RET	(۴)	READ, INCPC	U	JMP	NEXT	
				DRTAR			(۳)	

۸۸- فرض کنید یک سامانه کامپیوتری از یک سطح حافظه نهان داده تمام‌انجمنی با گنجایش ۴ بلوک و یک حافظه اصلی با گنجایش ۲۵۶ بلوک در کنار پردازنده تشکیل شده است. چه تعداد کلاک برای اجرای دنباله دسترسی‌های بلوکی زیر، مورد نیاز است؟ (دسترسی از چپ به راست اتفاق می‌افتد)  
 $\overline{A}, B, C, D, E, A$   
 توضیح: از زمان اجرای تمامی دستورات غیر از دستورات دسترسی به حافظه صرف‌نظر شده است. همچنین زمان جستجو در حافظه نهان یک کلاک، زمان انتقال داده از حافظه نهان به پردازنده یک کلاک و زمان انتقال داده از حافظه اصلی به حافظه نهان، ۱۰ کلاک است. سیاست جایگزینی استفاده شده در حافظه نهان، سیاست MRU در نظر گرفته شده است. توجه نمایید که ارتباط پردازنده با سلسله مراتب حافظه تنها از طریق حافظه نهان صورت می‌گیرد.

(۲) ۶۲

(۱) ۳۳

(۴) ۸۴

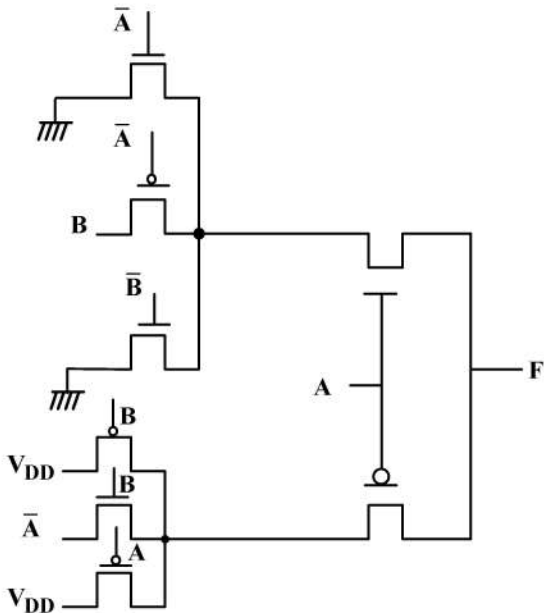
(۳) ۷۵

۸۹- چه تعداد عملیات شیفت به راست در الگوریتم ضرب Booth برای انجام عملیات ضرب  $(-۱۳) \times (-۹)$ ، مورد نیاز است؟

- (۱) ۷
- (۲) ۶
- (۳) ۵
- (۴) ۴

۹۰- تابع خروجی مدار زیر، کدام است؟

- (۱)  $AB'$
- (۲)  $A' + B$
- (۳)  $A \oplus B$
- (۴)  $(A \oplus B)'$

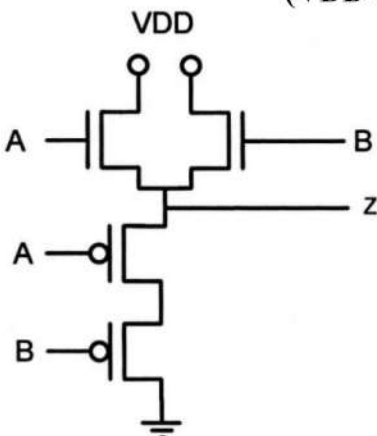


۹۱- یک تراشه الکترونیکی حاوی  $10^6$  دروازه منطقی (Logic Gate) است، که ۹۰٪ آنها CMOS و ۱۰٪ دیگر از نوع NMOS با بار pmos اشباع هستند که پایه گیت ترانزیستورهای pmos آنها به زمین متصل است. با فرض این که ۵۰٪ اوقات، شبکه‌های پایین بر همه دروازه‌ها قطع باشد، و با فرض این که سیگنال‌های ورودی، تأخیر فراز (rise time) و فرود (fall time) ناچیزی داشته باشند، توان استاتیکی اتصال کوتاه این تراشه

چند وات است؟ ( $V_{tp} = -1V$ ،  $\beta = 10 \mu A/v^2$  و  $V_{DD} = 2V$ )

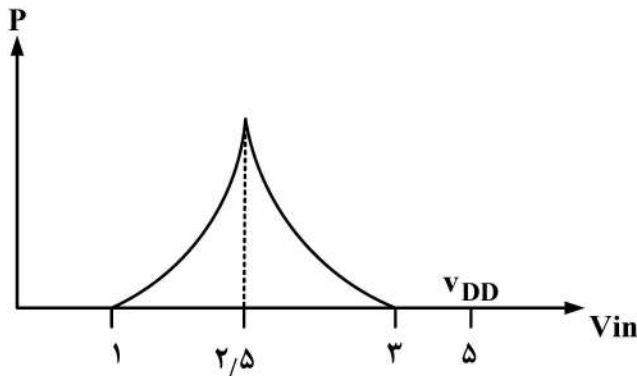
- (۱) ۰/۱۲۵
- (۲) ۰/۲۵
- (۳) ۰/۵
- (۴) ۱

۹۲- مدار شکل زیر را در نظر بگیرید. با صرف نظر از اثر بدنه، نوع تابع خروجی، و مقادیر  $V_{OH}$  و  $V_{OL}$  در این دروازه به ترتیب کدام‌اند؟ ( $V_{tp} = -0.5V$  و  $V_{tn} = 0.4V$  و  $V_{DD} = 3.3V$ )



- (۱)  $OR$ ،  $2.9V$  و  $0.57V$
- (۲)  $OR$ ،  $3.3V$  و صفر
- (۳)  $AND$ ،  $2.9V$  و  $1.0V$
- (۴)  $AND$ ،  $3.3V$  و صفر

۹۳- نمودار توان مصرفی یک معکوس کننده CMOS، به صورت زیر است. نسبت  $\frac{K_n}{K_p}$  این معکوس کننده کدام است؟

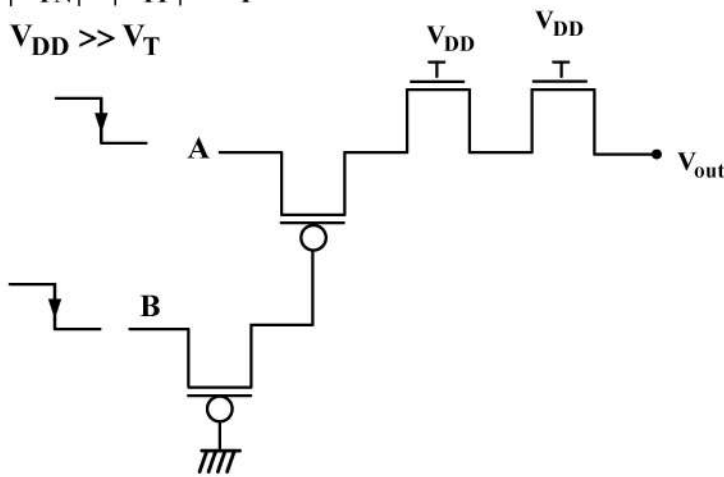


- (۱)  $\frac{1}{3}$
- (۲) ۳
- (۳)  $\frac{1}{9}$
- (۴) ۹

۹۴- با فرض این که یک لبه پایین رونده در ورودی‌های A و B در شکل زیر رخ دهد، و لبه پایین رونده B قبل از A رخ می‌دهد مقدار دائمی  $V_{out}$  چقدر خواهد بود؟

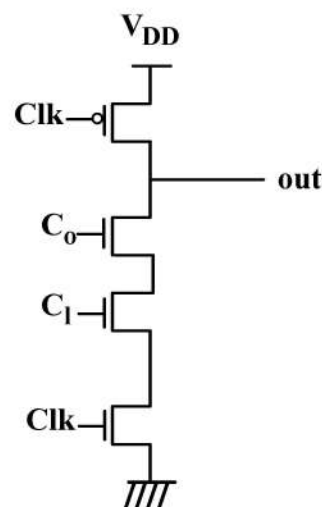
$|V_{TN}| = |V_{TP}| = V_T$

$V_{DD} \gg V_T$



- (۱)  $V_{DD}$
- (۲)  $V_{DD} - 2V_T$
- (۳)  $V_T$
- (۴)  $2V_T$

۹۵- در ساختار ترانزیستوری زیر، فرض کنید ورودی‌های  $c_0$  و  $c_1$  در لبه‌های پایین رونده کلاک (Clk) تغییر کنند. آیا در فاز ارزیابی (Evaluate) در این ساختار، امکان اشتراک بار (Charge sharing) وجود دارد؟ در صورت مثبت بودن پاسخ، به ازای کدام ورودی اتفاق می‌افتد؟



- (۱) خیر، اشتراک بار اتفاق نمی‌افتد.
- (۲) بلی، به ازای ورودی  $(c_1, c_0) = (1, 1)$
- (۳) بلی، به ازای ورودی  $(c_1, c_0) = (1, 0)$
- (۴) بلی، به ازای ورودی  $(c_1, c_0) = (0, 1)$

## مجموعه دروس تخصصی ۴ (سیستم‌های عامل، شبکه‌های کامپیوتری و پایگاه داده‌ها)

۹۶- کدام یک از موارد زیر، درست است؟

- الف - تعویض متن میان دو نخ سطح هسته، سربار یکسانی با تعویض متن میان دو نخ سطح کاربر ندارد.  
 ب - نخ‌های سطح کاربر در بالای هسته و بدون پشتیبانی هسته کنترل می‌شوند.  
 ج - یک نخ می‌تواند هم‌زمان بر روی چندین متغیر شرطی مسدود شود.

(۱) «ب» - «ج»

(۲) «الف» - «ج»

(۳) «الف» - «ب»

(۴) «الف» - «ب» - «ج»

۹۷- در سیستمی ۲۰ فرایند موجود هستند. اگر الگوریتم زمان‌بندی فرایندها، Round Robin با مقدار

کوانتوم ۱۰ میلی‌ثانیه و زمان تعویض متن ۲ میلی‌ثانیه باشد، آنگاه حداکثر چند میلی‌ثانیه زمان لازم است که یک فرایند منتظر بماند تا نوبت به اجرای کوانتوم زمانی بعدی اش برسد؟

(۱) ۱۶۰

(۲) ۱۹۰

(۳) ۲۲۸

(۴) ۲۴۰

۹۸- کدام مورد زیر، در مود کرنل انجام نمی‌شود؟

(۱) خواندن ساعت سیستم

(۲) تغییر اولویت فرایندها

(۳) تنظیم ساعت سیستم

(۴) روشن شدن کامپیوتر

۹۹- یک سیستم کامپیوتری با فضای آدرس مجازی ۳۲ بیتی و اندازه صفحه ۴KB را در نظر بگیرید. همچنین

فرض شده است که جدول صفحه دوسطحی مورد استفاده قرار گرفته است، به گونه‌ای که تعداد مدخل‌های جدول صفحه سطح اول، چهار برابر اندازه هر جدول صفحه سطح دوم می‌باشد. همچنین هر ورودی جدول صفحه ۴ بایت است. اگر فرایندی ۱۰۲۴ صفحه از فضای آدرس مجازی را استفاده نماید، اندازه پیشینه برای جدول صفحه دوسطحی چند کیلوبایت است؟

(۱) ۵۱۲

(۲) ۴۰۶۹

(۳) ۱۰۲۴

(۴) ۲۰۵۶

۱۰۰- اثر کانوی (Convoy effect)، در کدام الگوریتم زمان‌بندی زیر اتفاق می‌افتد؟

(۱) SJF

(۲) FCFS

(۳) MLFQ

(۴) Round Robin



۱۰۱- در یک سیستم کامپیوتری با ۵ فرایند در حال اجرا که به هر فرایند ۳ منبع تخصیص یافته است، الگوریتم بانکداران با چه هزینه‌ای، قرار گرفتن سیستم در حالت بن‌بست را بررسی می‌کند؟

- (۱)  $O(5)$
- (۲)  $O(15)$
- (۳)  $O(45)$
- (۴)  $O(75)$

۱۰۲- پنج فرایند  $P_0$  تا  $P_4$  را با زمان‌های ورود و سرویس مشخص شده در جدول زیر در نظر بگیرید (زمان‌ها بر حسب میلی‌ثانیه هستند). دو فرایند  $P_0$  و  $P_1$  مربوط به کاربر ۱ و بقیه فرایندها مربوط به کاربر ۲ هستند. فرض کنید الگوریتم زمانبندی سهم - عادلانه را بر روی این پنج فرایند اعمال نماییم. کوانتوم زمانی را برابر با چهار میلی‌ثانیه و زمان تعویض متن را برابر با یک میلی‌ثانیه در نظر بگیرید. همچنین، سهم کاربر ۱ و ۲ از زمان CPU را برابر فرض کنید. میانگین زمان پاسخ و میانگین زمان برگشت به ترتیب از راست به چپ برابر کدام است؟

Process	Arrival time	CPU burst time
$P_0$	۰	۸
$P_1$	۰	۶
$P_2$	۲	۴
$P_3$	۶	۲
$P_4$	۱۰	۲

- (۱)  $8/4$  و  $13/2$
- (۲)  $10/8$  و  $17/2$
- (۳)  $8/8$  و  $13/2$
- (۴)  $12/8$  و  $17/2$

۱۰۳- فرض کنید یک برنامه کاربردی، ۲ فایل برای ارسال به برنامه کاربردی دیگر آماده کرده است و تصمیم دارد این ارسال توسط tcp انجام شود. کدام‌یک از توضیحات زیر، درست است؟

- (۱) برنامه کاربردی، فایل اول و فایل دوم را در بافر tcp قرار می‌دهد. سپس tcp، محتوای بافر را به قطعات کوچک تقسیم کرده، به هر قطعه سرآیند (header) اضافه می‌کند و آن را تحویل IP می‌دهد.
- (۲) برنامه کاربردی، دو فایل را ادغام کرده و آن را در بافر tcp قرار می‌دهد. سپس tcp، محتوای بافر را به قطعات کوچک تقسیم کرده، به هر قطعه سرآیند (header) اضافه می‌کند و آن را تحویل IP می‌دهد.
- (۳) برنامه کاربردی، فایل اول را به قطعات کوچک تقسیم می‌کند و آن را در اختیار tcp قرار می‌دهد. سپس tcp به هر قطعه دریافتی سرآیند خود را افزوده و نتیجه را به IP تحویل می‌دهد. سپس همین فرایند برای فایل دوم تکرار می‌شود.
- (۴) برنامه کاربردی، همیشه ابتدا فایل اول را در بافر tcp قرار می‌دهد. tcp فایل درون بافر را به قطعات کوچک تقسیم کرده، به هر قطعه سرآیند (header) اضافه می‌کند و آن را تحویل IP می‌دهد. سپس همین فرایند برای فایل دوم تکرار می‌شود.

۱۰۴- بسته‌ای پس از ارسال توسط کامپیوتر مبدأ، جمعاً از ۲ سویچ لایه لینک و ۵ مسیریاب (روتر) عبور می‌کند تا به کامپیوتر مقصد برسد. می‌دانیم که در هر بسته، «آدرس فیزیکی مبدأ» و «آدرس فیزیکی مقصد» تعبیه می‌شود. آدرس فیزیکی مبدأ و آدرس فیزیکی مقصد به ترتیب در طول انتقال از کامپیوتر مبدأ تا کامپیوتر مقصد، چند بار تغییر می‌کنند؟

- (۱) بدون تغییر
- (۲) بدون تغییر
- (۳) ۵ - ۵
- (۴) ۷ - ۷

۱۰۵- بخش ویدئو (video streaming) در اینترنت، با دو چالش اصلی مواجه است. این دو چالش کدامند؟  
راه‌حل‌های ایجادشده برای هر چالش چیست؟

(۱) چالش اول، متفاوت بودن کیفیت و اندازه ویدئوها در اینترنت و چالش دوم، همزمانی تعداد بسیار زیاد در بینندگان یک ویدئو - به‌کارگیری الگوریتم‌های فشرده‌سازی متنوع، راه‌حل چالش اول است و حل چالش دوم، به‌عهده شبکه‌های توزیع محتوا قرار داده شده است.

(۲) چالش اول، عدم ثبات در کیفیت ارتباط اینترنتی و چالش دوم، متفاوت بودن کیفیت و اندازه ویدئوها در اینترنت است - برای حل چالش اول، از پروتک‌های تأمین کیفیت خدمات (quality of services) استفاده می‌شود و حل چالش دوم به‌عهده الگوریتم‌های فشرده‌سازی ویدئو قرار داده شده است.

(۳) چالش اول، متفاوت بودن پهنای باند اتصال کاربران به اینترنت و چالش دوم، تغییرات تأخیر (latency) در طول دیدن یک ویدئو است. برای حل چالش اول، از پروتک‌هایی که به‌صورت دینامیک می‌توانند با شرایط هر کاربر تطبیق یابند، استفاده می‌شود و چالش دوم، با به‌کارگیری مکانیزم مدیریت بافر حل می‌شود.

(۴) چالش اول، تغییرات گذردهی شبکه اینترنت و چالش دوم، همزمانی تعداد بسیار زیاد در بینندگان یک ویدئو است - برای حل چالش اول، از پروتک‌هایی که ویدئو به‌صورت دینامیک با گذردهی تطبیق می‌یابد، استفاده می‌شود و حل چالش دوم، به‌عهده شبکه‌های توزیع محتوا قرار داده شده است.

۱۰۶- در BitTorrent هر کامپیوتر، اولین بخش (chunk) از یک فایل را چگونه به‌دست می‌آورد؟

(۱) اولین بخش هر فایل را از tracker دریافت می‌کند.

(۲) آدرس اولین بخش را از Tracker دریافت کرده و با ایجاد ارتباط tcp با آن آدرس، اولین بخش را درخواست و سپس دریافت می‌کند.

(۳) با هریک از کامپیوترهای Torrent یک ارتباط tcp برقرار کرده و سپس درخواست فایل را برای آنها ارسال کرده و اولین بخش را از آنها دریافت می‌کند.

(۴) درخواست خود را برای کامپیوترهای Torrent ارسال کرده و منتظر می‌ماند تا یکی از کامپیوترها به‌صورت اتفاقی، درخواست را قبول کرده و اولین بخش را برایش بفرستد.

۱۰۷- وظایف شبکه کامپیوتری در درون مراکز داده (data centers) چیست؟

(۱) الف) امکان ایجاد ارتباط بین سامانه‌های ذخیره‌سازی داده و نودهای پردازشی را فراهم می‌کند و مدیریت دسترسی به داده‌ها را به‌عهده دارد. ب) امکان دسترسی نودهای خارج از مرکز داده به سامانه‌های ذخیره‌سازی را مدیریت کرده و امنیت داده را تأمین می‌کند.

(۲) الف) بین نودهای درون مرکز داده ارتباط ایجاد می‌کند و تأمین پهنای باند کافی بین آنها را به‌عهده دارد. ب) امکان ایجاد ارتباط بین نودهای درون مرکز داده را با نودهای خارج از مرکز داده فراهم کرده و امنیت این ارتباط را تأمین می‌کند.

(۳) الف) با هدف مدیریت دسترسی به داده ایجاد می‌شود و خدمات احراز هویت و رمزنگاری را میسر می‌کند. ب) امکان مدیریت فضای ذخیره‌سازی را فراهم کرده و ارتباط بین نودها و فضای ذخیره‌سازی را تأمین می‌کند.

(۴) الف) سامانه‌های ذخیره‌سازی را شبکه کرده و مدیریت دسترسی به آنها را به‌عهده دارد. ب) امکان ایجاد نسخه‌های پشتیبانی (back up) از داده‌ها را در توالی‌های از قبل تعیین‌شده فراهم می‌کند.

### ۱۰۸- انتخاب مسیر (path selection) توسط BGP (Boarder Gateway Protocol) چگونه انجام می‌شود؟

- ۱) ابتدا eBGP، هزینه مسیرهای بیرونی را محاسبه می‌کند. سپس iBGP، هزینه مسیرهای درونی را حساب کرده و با هزینه قبلی جمع می‌کند تا هزینه کامل مسیرها به دست آید. آنگاه از کم‌هزینه‌ترین مسیر استفاده می‌کند.
- ۲) ابتدا با استفاده از iBGP، جدول دروازه‌های مرزی (Boarder Gateways) را می‌سازد. سپس با استفاده از الگوریتم eBGP، هزینه مسیرها تا دروازه‌های مرزی را حساب می‌کند. آنگاه کم‌هزینه‌ترین دروازه مرزی را به کار می‌برد.
- ۳) ابتدا از بین مسیرهای ممکن، مسیری که منطبق بر سیاست‌ها (policies) است را انتخاب می‌کند. سپس از بین مسیرهای انتخاب‌شده، مسیری که تعداد سیستم‌های خودگردان (autonomous systems) کمتری را شامل می‌شود بر می‌گزیند. آنگاه از بین مسیرهای باقی‌مانده، از کم‌هزینه‌ترین آنها استفاده می‌کند.
- ۴) ابتدا با استفاده از الگوریتم بردار فاصله (distance vector)، کوتاه‌ترین مسیر را انتخاب می‌کند. سپس با نگاه به جدول، مسیریاب‌های مرزی را پیدا می‌کند. آنگاه با اعمال سیاست (policy)، بهترین مسیریاب مرزی انتخاب می‌شود و از طریق آن، انتقال صورت می‌گیرد.

### ۱۰۹- تفاوت اصلی بین دیدهای پذیرا (Updatable Views) و دیدهای ناپذیرا (Non-Updatable Views) در پایگاه داده‌ها چیست؟

- ۱) هر دو نوع دید قابلیت به‌روزرسانی داده‌ها را دارند، اما دیدهای ناپذیرا، محدودیت‌های بیشتری دارند.
- ۲) دیدهای ناپذیرا، امکان به‌روزرسانی داده‌های موجود در آنها را فراهم می‌کنند، در حالی که دیدهای پذیرا، فقط برای خواندن داده‌ها استفاده می‌شوند.
- ۳) دیدهای پذیرا، امکان به‌روزرسانی داده‌های موجود در آنها را فراهم می‌کنند، در حالی که دیدهای ناپذیرا، فقط برای خواندن داده‌ها استفاده می‌شوند.
- ۴) هیچ تفاوتی بین دیدهای پذیرا و دیدهای ناپذیرا وجود ندارد و هر دو فقط برای خواندن داده‌ها استفاده می‌شوند.

### ۱۱۰- روش Cascade در قاعده تمامیت ارجاعی در پایگاه داده‌ها، چه کارکردی دارد؟

- ۱) فقط برای به‌روزرسانی استفاده می‌شود و هیچ تأثیری بر حذف رکوردها ندارد.
- ۲) هنگامی که یک رکورد در جدول مرجع حذف یا به‌روزرسانی می‌شود، فقط تغییرات حذف در جدول‌های مرتبط اعمال می‌شود.
- ۳) فقط در صورت تغییر مقدار ستون‌های غیرکلید در یک جدول، تغییرات را در جدول‌های دیگر اعمال می‌کند.
- ۴) هنگامی که یک رکورد در جدول مرجع حذف یا به‌روزرسانی می‌شود، تغییرات به‌صورت خودکار در جدول‌های مرتبط با کلید خارجی اعمال می‌شود.

### ۱۱۱- در مدیریت پایگاه داده‌ها، Schema Evolution چه چالش‌هایی را به همراه دارد؟

- ۱) تغییر Schema بدون اختلال در دسترسی کاربران به پایگاه داده و بدون از دست دادن یا آسیب به داده‌های موجود، یک چالش است.
- ۲) تغییر Schema به‌طور معمول نیازمند بازنویسی کل برنامه‌های کاربردی است که با پایگاه داده در ارتباط هستند.
- ۳) Schema Evolution فقط در پایگاه داده‌های شیء‌گرا امکان‌پذیر است و در سایر انواع پایگاه داده‌ها امکان‌پذیر نیست.
- ۴) Schema Evolution به معنای تغییر داده‌های ذخیره‌شده در پایگاه داده است و به همین دلیل اغلب منجر به از دست رفتن داده‌ها می‌شود.

### ۱۱۲- عبارت «is a type of» در مدل‌سازی داده‌ها، به چه منظوری استفاده می‌شود؟

- ۱) نشان دادن رابطه یک به یک بین دو جدول در پایگاه داده
- ۲) نشان دادن روابط چند به چند بین جداول در پایگاه داده
- ۳) مشخص کردن انواع داده‌هایی که در یک ستون خاص می‌توانند ذخیره شوند.
- ۴) تعریف یک سلسله مراتب وراثت بین کلاس‌ها یا جداول، جایی که یک کلاس یا جدول خاص، زیرمجموعه‌ای از کلاس یا جدول دیگری است.

راهنمایی: با توجه به اطلاعات زیر به سؤالات ۱۱۳ و ۱۱۴ پاسخ دهید.

فرض کنید دو جدول داریم:

– جدول Employees با ستون‌های **Salary, Age, DepartmentID, EmployeeID, Name**

– جدول Departments با ستون‌های **Budget, DepartmentName, DepartmentID**

– ستون DepartmentID در جدول Employees به عنوان کلید خارجی است که به ستون DepartmentID در جدول Departments ارتباط دارد.

۱۱۳- کدام یک از پرس‌وجوهای زیر به درستی نام هر کارمند را همراه با نام دپارتمان مربوطه نشان می‌دهد؟

(۱) SELECT Employees.Name, Employees.

DepartmentID FROM Employees;

(۲) SELECT Employees.Name, Departments.

DepartmentName FROM Employees RIGHT  
OUTER JOIN Departments WHERE Employees.  
DepartmentID = Departments.DepartmentID;

(۳) SELECT Employees.Name, Departments.

DepartmentName FROM Employees INNER  
JOIN Departments ON Employees.  
DepartmentID = Departments.DepartmentID;

(۴) SELECT Employees.Name, Departments.

DepartmentName FROM Employees  
LEFT OUTER JOIN Departments ON Employees.  
EmployeeID = Departments.DepartmentID;

۱۱۴- فرض کنید می‌خواهید اطمینان حاصل کنید که مجموع حقوق کارمندان در هر بخش از بودجه آن بخش تجاوز نمی‌کند. کدام یک از پرس و جوهای زیر به‌درستی یک **Assertion** را برای این قاعده تعریف می‌کند؟

(۱) ALTER TABLE Employees ADD CONSTRAINT SalaryBudgetCheck CHECK (SUM(Salary) <= (SELECT Budget FROM Departments WHERE DepartmentID = Employees.DepartmentID));

(۲) CREATE ASSERTION SalaryBudgetCheck CHECK(NOT EXISTS (SELECT E.DepartmentID FROM Employees E WHERE SUM(E.Salary) > (SELECT D.Budget FROM Departments D WHERE D.DepartmentID = E.DepartmentID)));

(۳) CREATE ASSERTION SalaryBudgetCheck AS CHECK (SELECT SUM(E.Salary) FROM Employees E GROUP BY E.DepartmentID <= SELECT D.Budget FROM Departments D WHERE D.DepartmentID = E.DepartmentID);

(۴) CREATE TRIGGER SalaryBudgetCheck BEFORE INSERT OR UPDATE ON Employees FOR EACH ROW EXECUTE RPOCEDURE CheckSalaryBudget();

۱۱۵- چند مورد از عبارات زیر، نادرست است؟

- اگر یک مجموعه از جداول در سطح ۳NF باشد، حتماً ۲NF هم هست.
- اگر یک مجموعه از جداول در سطح BCNF باشد، حتماً ۲NF هم هست.
- ممکن است یک مجموعه از جداول در سطح BCNF باشد، ولی ۳NF نباشد.
- ممکن است یک مجموعه از جداول در سطح ۴NF باشد ولی BCNF نباشد.

(۱) یک (۲) دو (۳) سه (۴) چهار









## مشاهده کلید اولیه سوالات آزمون کارشناسی ارشد 1403

به اطلاع می‌رساند، کلید اولیه سوالات که در این سایت قرار گرفته است، غیر قابل استناد است و پس از دریافت نظرات داوطلبان و صاحب نظران کلید نهایی سوالات تهیه و بر اساس آن کارنامه داوطلبان استخراج خواهد شد. در صورت تمایل می‌توانید حداکثر تا تاریخ 1402/12/20 با مراجعه به سامانه پاسخگویی اینترنتی (request.sanjesh.org) نسبت به تکمیل فرم "اعتراض به کلید سوالات"/"آزمون کارشناسی ارشد سال 1403" اقدام نمایید. لازم به ذکر است نظرات داوطلبان فقط تا تاریخ مذکور و از طریق فرم ذکر شده دریافت خواهد شد و به موارد ارسالی از طریق دیگر (نامه مکتوب یا فرم عمومی در سامانه پاسخگویی و ...) یا پس از تاریخ اعلام شده رسیدگی نخواهد شد.

گروه امتحانی	نوع دفترچه	عنوان دفترچه
فنی و مهندسی	C	مهندسی کامپیوتر

شماره سوال	گزینه صحیح	شماره سوال	گزینه صحیح	شماره سوال	گزینه صحیح	شماره سوال	گزینه صحیح
1	2	31	4	61	2	91	3
2	4	32	3	62	4	92	1
3	1	33	3	63	2	93	3
4	3	34	4	64	4	94	4
5	3	35	2	65	1	95	1
6	4	36	4	66	3	96	3
7	1	37	4	67	4	97	3
8	2	38	2	68	4	98	1
9	2	39	1	69	2	99	4
10	1	40	4	70	2	100	2
11	2	41	1	71	1	101	4
12	1	42	4	72	2	102	2
13	4	43	1	73	1	103	1
14	2	44	2	74	3	104	3
15	3	45	3	75	2	105	4
16	1	46	2	76	3	106	4
17	3	47	3	77	3	107	2
18	2	48	1	78	2	108	3
19	3	49	3	79	1	109	3
20	4	50	2	80	3	110	4
21	1	51	1	81	1	111	1
22	3	52	2	82	4	112	4
23	4	53	4	83	2	113	3
24	2	54	2	84	2	114	2
25	2	55	3	85	1	115	2
26	3	56	3	86	3		
27	4	57	4	87	4		
28	1	58	4	88	2		
29	1	59	1	89	3		
30	2	60	3	90	2		

خروج