

510B

510

B

نام  
نام خانوادگی  
محل امضاء

دفترچه شماره ۱  
صبح جمعه  
۹۱/۱۱/۲۰



جمهوری اسلامی ایران  
وزارت علوم، تحقیقات و فناوری  
سازمان سنجش آموزش کشور

اگر دانشگاه اصلاح شود مملکت اصلاح می‌شود.  
امام خمینی (ره)

## آزمون ورودی دوره‌های کارشناسی ارشد ناپیوسته داخل - سال ۱۳۹۲

مجموعه مهندسی کامپیوتر - کد ۱۲۷۷

مدت پاسخگویی: ۱۵۰ دقیقه

تعداد سؤال: ۷۳

عنوان مواد امتحانی، تعداد و شماره سؤالات

ردیف	مواد امتحانی	تعداد سؤال	از شماره	تا شماره
۱	زبان عمومی و تخصصی (انگلیسی)	۳۰	۱	۳۰
۲	ریاضیات (ریاضیات مهندسی، آمار و احتمالات، محاسبات عددی، ساختمانهای گسسته)	۱۶	۳۱	۴۶
۳	دروس تخصصی مشترک (ساختمان داده‌ها، نظریه زبانها و ماشینها، مدارهای منطقی، معماری کامپیوتر، سیستم عامل)	۲۷	۴۷	۷۳

بهمن ماه سال ۱۳۹۱

استفاده از ماشین حساب مجاز نمی‌باشد.

**Part A: Vocabulary**

**Directions:** Choose the word or phrase (1), (2), (3), or (4) that best completes each sentence. Then mark the correct choice on your answer sheet.

- 1- Yet life is not literature, nor is literature life; the two are -----.  
1) consistent                      2) distinct                      3) temporary                      4) adequate
- 2- The hurricane would not have had such a/an ----- effect on the coastal village had the storm surge not arrived during an abnormally high tide.  
1) devastating                      2) ultimate                      3) calculating                      4) obligatory
- 3- Federica expressed doubt about the existence of true altruism, claiming that no one makes a ----- without expecting to receive something in return in one form or another.  
1) facility                      2) hypothesis                      3) premise                      4) sacrifice
- 4- As a supporter of the value of free trade, Bennett was often called upon to give speeches around the world ----- the virtues of unencumbered commerce.  
1) monitoring                      2) purchasing                      3) praising                      4) exchanging
- 5- The efforts to revive the local economy after the departure of the town's largest employer were eased by the construction of a new arts center that would infuse the community with much-needed -----.  
1) revenue                      2) scheme                      3) schedule                      4) survival
- 6- Eagerly advocating rehabilitation, Gena has always believed that individuals who have been imprisoned deserve the opportunity to return to society as ----- citizens.  
1) voluntary                      2) crucial                      3) productive                      4) internal
- 7- With ----- approval, the parliament accepted the new law that would prohibit companies from discriminating according to race in their hiring practices.  
1) intrinsic                      2) fanatical                      3) sporadic                      4) unanimous
- 8- Many medical researchers now believe that there is such a thing as being too clean. The "hygiene hypothesis" suggests that excessively sanitary conditions can ----- a person's resistance to disease.  
1) initiate                      2) diminish                      3) abandon                      4) undertake
- 9- One popular misconception is that these subsidies produce lower food prices, and so are a ----- to consumers. This analysis ignores the fact that consumers are also paying for these subsidies through taxes.  
1) transfer                      2) device                      3) boon                      4) status
- 10- As one of the most popular writers of the 20th century, Jack Kerouac authored several books that ----- to a wide variety of readers.  
1) appeal                      2) attribute                      3) appear                      4) devote

**Part B: Cloze Test**

**Directions:** Read the following passage and decide which choice (1), (2), (3), or (4) best fits each space. Then mark the correct choice on your answer sheet.

The climate is expected to increasingly shape and (11) ----- by cities. In a vicious circle, climate change will increase energy demand for air conditioning in cities. (12) ----- will add to greenhouse gas emissions. It could also raise temperatures in urban areas (13) ----- 2-6 °C. "Heat, pollution, smog and ground-level ozone [from cities] affect surrounding areas, reducing agricultural yields, increasing health risks and (14) ----- tornadoes and thunderstorms. (15) ----- on urban water supplies are expected to be dramatic," the report says. Cities like New Delhi, in the drier areas, will be hit particularly hard.

- 11- 1) be shaped                      2) shaped                      3) is shaped                      4) be shaping  
12- 1) where they                      2) they                      3) that                      4) which  
13- 1) high up                      2) by                      3) for                      4) at  
14- 1) to produce                      2) and produce                      3) and producing                      4) which produces  
15- 1) The impacts of climate change                      2) The climate change impact  
3) The impact changes in climate                      4) The change in climate impact

**PART C: Reading Comprehension**

**Directions:** Read the following three passages and answer the questions by choosing the best choice (1), (2), (3), or (4). Then mark the correct choice on your answer sheet.

**Passage 1:**

Green Computing refers to environmentally sustainable computing or IT. In the article *Harnessing Green IT: Principles and Practices*, San Murugesan defines the field of green computing as "the study and practice of designing, manufacturing, using, and disposing of computers, servers, and associated subsystems — such as monitors, printers, storage devices, and networking and communications systems — efficiently and effectively with minimal or no impact on the environment." The goals of green computing are similar to green chemistry; reduce the use of hazardous materials, maximize energy efficiency during the product's lifetime, and promote the recyclability or biodegradability of defunct products and factory waste. Many corporate IT departments have Green Computing initiatives to reduce the environmental impacts of their IT operations.

Research continues into key areas such as making the use of computers as energy-efficient as possible, and designing algorithms and systems for efficiency-related computer technologies. The efficiency of algorithms has an impact on the amount of computer resources required for any given computing function and there are many efficiency trade-offs in writing programs. Algorithm changes, such as switching from a slow (e.g. linear) search algorithm to a fast (e.g. hashed or indexed) search algorithm can reduce resource usage for a given task from substantial to close to zero. A study by a physicist at Harvard estimated that the average Google search released 7 grams of CO<sub>2</sub>. However, Google disputes this figure, arguing instead that a typical search produces only 0.2 grams of CO<sub>2</sub>.

**16- The passage is mainly about:**

- 1) Google's hazards for the environment.
- 2) reducing the negative impact of computing on the environment.
- 3) increasing the energy efficiency of search algorithms.
- 4) the pros and cons of using cost-effective strategies in IT environments.

**17- What is said about green computing?**

- 1) It has been adopted by major IT corporations.
- 2) It tends to increase the costs associated with computing.
- 3) It highlights the importance of energy efficiency.
- 4) It will adversely affect the advancement of computing.

**18- According to the passage, efficient search algorithms can promote green computing by**

- 1) reducing energy consumption.
- 2) eliminating the need for processing resources.
- 3) enhancing the recyclability of software products.
- 4) abolishing the use of bio-hazardous materials.

**19- It can be inferred from the passage that**

- 1) all hardware devices are dangerous to the environment.
- 2) out-of-use computers may pollute the environment.
- 3) due to its nonphysical nature, software cannot affect the environment.
- 4) CO<sub>2</sub> is the most hazardous material associated with computing.

**20- According to the passage, results of research related to green computing**

- 1) may be challenged.
- 2) are usually ignored by the industry.
- 3) are seldom verified by search engines.
- 4) may be misused.

**Passage 2:**

Internet telephony is a common communications service made possible by the creation of the Internet. VoIP stands for Voice-over-Internet Protocol, referring to the protocol that underlies all such communication. The idea began in the early 1990s with walkie-talkie-like voice applications for personal computers. In recent years, many VoIP systems have become as easy to use and as convenient as a normal telephone. The benefit is that, as the Internet carries the voice traffic, VoIP can be free or cost much less than a traditional telephone call, especially over long distances and especially for those with always-on Internet connections such as cable or ADSL. VoIP is maturing into a competitive alternative to traditional telephone service. Interoperability between different providers has improved, and the ability to call or receive a call from a traditional telephone is available. Simple, inexpensive VoIP network adapters are available that eliminate the need for a personal computer.

Voice quality can still vary from call to call, but is often equal to and can even exceed that of traditional calls. Remaining problems for VoIP include emergency telephone number dialing and reliability. Currently, a few VoIP providers provide an emergency service, but it is not universally available. Traditional phones are line-powered and operate during a power failure; VoIP does not do so without a backup power source for the phone equipment and the Internet access devices.

**21- Which of the following is the best title for this passage?**

- 1) "Capabilities and Limitations of VoIP"
- 2) "Creation and Demise of Internet Telephony"
- 3) "Internet Protocols and their Versatility"
- 4) "Reliable Internet Services"

**22- What is said about VoIP?**

- 1) Interoperability between different providers is guaranteed.
- 2) It is more reliable than traditional phones.
- 3) It generally requires the use of a PC.
- 4) Not all providers provide an emergency service.

**23- Compared to VoIP, traditional phones are generally**

- 1) preferable where power failures are common.
- 2) superior as to the voice quality provided.
- 3) more cost-effective.
- 4) more convenient where ease of use is essential.

**24- VoIP users**

- 1) may not get the same voice quality all the time.
- 2) may only make long-distance calls.
- 3) cannot call traditional phones.
- 4) have to use walkie-talkie-like devices.

**25- It can be inferred from the passage that in the future,**

- 1) VoIP will replace traditional phones in all areas and applications.
- 2) Internet telephony will continue to prosper.
- 3) VoIP will only be used by ADSL users.
- 4) the Internet will mainly be used for carrying voice traffic.

**Passage 3:**

Code refactoring is a "disciplined technique for restructuring an existing body of code, altering its internal structure without changing its external behavior", undertaken in order to improve some of the non-functional attributes of the software. Advantages include improved code readability and reduced complexity to improve the maintainability of the source code, as well as a more expressive internal architecture (or *object model*) to improve extensibility.

Refactoring is usually motivated by noticing a "code smell". For example, the method at hand may be very long, or it may be a near duplicate of another nearby method. Once recognized, such problems can be addressed by *refactoring* the source code, or transforming it into a new form that behaves the same as before but that no longer "smells". For a long routine, one or more smaller subroutines can be extracted; or for duplicate routines, the duplication can be removed and replaced with one shared function.

While the term *refactoring* originally referred exclusively to refactoring of software code, in recent years, code written in hardware description languages (HDLs) has also been refactored. The term *hardware refactoring* is used as a shorthand term for refactoring of code in hardware description languages. Since HDLs are not considered to be programming languages by most hardware engineers, hardware refactoring is to be considered a separate field from traditional code refactoring.

**26- Code refactoring typically**

- 1) preserves the structure of the code.
- 2) cleans the code of viruses and other malware.
- 3) enriches the behavior of the code.
- 4) improves the intelligibility of the code.

**27- Code refactoring's ultimate aim is to improve**

- 1) the hardware/software co-design anomalies of the code.
- 2) the maintainability and extensibility of the code.
- 3) the platform dependencies of the system.
- 4) the user-friendliness and efficiency of the system.

**28. In hardware refactoring,**

- 1) hardware components are reprogrammed.
- 2) existing HDL code is modified.
- 3) hardware devices are decomposed.
- 4) HDL code is written from scratch.

29- Which of the following is more likely to be considered as code refactoring?

- 1) Simplifying a complex routine in the code.
- 2) Modifying the code to support a new user interface.
- 3) Adding a new functionality to the system.
- 4) Adding a new type of system user to the list of users.

30- It can be inferred from the passage that

- 1) code refactoring and hardware refactoring are likely to be performed in tandem.
- 2) code refactoring will ultimately replace software testing.
- 3) code refactoring affects most of the non-functional aspects of the system.
- 4) code refactoring is most probably performed by programmers.

ریاضیات (ریاضیات مهندسی، آمار و احتمالات، محاسبات عددی، ساختمان‌های گسسته)

۳۱- ضرایب بسط سری فوریه  $f(x)$  با دوره تناوب  $2\pi$  به صورت  $\left( \frac{a_0}{2} = \frac{1}{2}; a_n = \frac{2}{n}, b_n = \frac{(-1)^n}{n^2} \right)$  است. جمله مستقل از

$x$  در سری فوریه تابع  $g(x) = f(x) \cdot \sin^2 x$ ، کدام است؟

- (۱) صفر  $-\frac{1}{4}$  (۲)
- (۳)  $\frac{1}{4}$  (۴)  $\frac{1}{2}$

۳۲- در مربعی به ضلع  $a$ ، به دست آوردن پاسخ معادله حرارت:  $u(x, y, t)$  مورد نظر است. حالت اولیه،  $u(x, y, 0) = f(x, y)$  و شرایط مرزی چنین است:

درجه حرارت روی دو ضلع  $a$ ،  $y = 0$ ، صفر است.

دو ضلع دیگر:  $a$ ،  $x = 0$ ، عایق‌اند.

شکل عمومی پاسخ معادله حرارت روی این ناحیه با شرایط مرزی یاد شده عبارت است از:

$$\sum_{m=1}^{\infty} \sum_{n=1}^{\infty} A_{mn} e^{-\lambda_{mn}^2 t} \cdot \sin \frac{m\pi}{a} x \sin \frac{n\pi}{b} y \quad (۱)$$

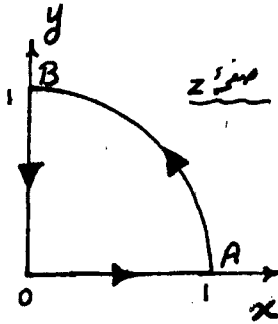
$$\sum_{m=0}^{\infty} \sum_{n=1}^{\infty} A_{mn} e^{-\lambda_{mn}^2 t} \cdot \cos \frac{m\pi}{a} x \sin \frac{n\pi}{b} y \quad (۲)$$

$$\sum_{m=1}^{\infty} \sum_{n=0}^{\infty} A_{mn} e^{-\lambda_{mn}^2 t} \cdot \sin \frac{m\pi}{a} x \cos \frac{n\pi}{b} y \quad (۳)$$

$$\sum_{m=0}^{\infty} \sum_{n=1}^{\infty} A_{mn} e^{-\lambda_{mn}^2 t} \cdot \cos \frac{m\pi}{a} x \sinh \frac{n\pi}{b} y \quad (۴)$$

۳۳- حاصل انتگرال زیر روی مسیر بسته ربع دایره C نشان داده شده از دایره یکه:

$$I = \oint_C (\operatorname{Re} z) dz$$



برابر است با:

$$\frac{1}{2} + i \left( \frac{\pi}{4} + 1 \right) \quad (1)$$

$$\frac{1}{2} + i \left( \frac{\pi}{4} + \frac{1}{2} \right) \quad (2)$$

$$1 + i \frac{\pi}{4} \quad (3)$$

$$i \frac{\pi}{4} \quad (4)$$

۳۴- حاصل انتگرال  $I = \oint_C (z^2 - 1) e^{\left(\frac{1}{z-1}\right)} dz$  حول مسیر بسته  $|x| + |y| = 2$  در جهت مثلثاتی چقدر است؟

$$\frac{4\pi i}{3} \quad (2)$$

$$\frac{5\pi i}{3} \quad (1)$$

$$2\pi i \quad (4)$$

$$\frac{7\pi i}{3} \quad (3)$$

۳۵- یک تیم بسکتبال شامل ۶ بازیکن سیاه و ۴ بازیکن سفید است. اگر بازیکن‌ها دو به دو هم اتاق باشند، احتمال اینکه فقط در دو اتاق یک بازیکن سفید و یک بازیکن سیاه باشند، کدام است؟

$$\frac{4}{7} \quad (4)$$

$$\frac{3}{7} \quad (3)$$

$$\frac{1}{7} \quad (2)$$

$$\frac{2}{7} \quad (1)$$

۳۶- سه نفر دوست برای پرداخت هزینه رستوران خود تصمیم می‌گیرند که هر یک سکه‌ای را پرتاب کنند و کسی که نتیجه تاق می‌آورد هزینه را بپردازد. اگر نتیجه سه پرتاب یکسان باشد (یعنی هیچ کس تاق نیاورده است)، آنها دوباره سکه‌ها را پرتاب می‌کنند و آنقدر این عمل انجام می‌شود تا فردی که باید هزینه را بپردازد تعیین شود. احتمال اینکه سکه‌ها بیش از ۴ مرتبه پرتاب شوند، کدام است؟

$$\frac{3}{64} \quad (4)$$

$$\frac{11}{256} \quad (3)$$

$$\frac{1}{256} \quad (2)$$

$$\frac{1}{64} \quad (1)$$

۳۷- تیراندازی در هر شلیک با احتمال  $\frac{1}{4}$  و مستقل از دفعات قبلی هدفی را مورد اصابت قرار می‌دهد، در صورت اصابت وی امتیازی نمی‌گیرد و در صورت عدم اصابت ۲ امتیاز منفی به وی تعلق می‌گیرد. اگر متغیر تصادفی Q معرف امتیازات وی تا رسیدن به چهارمین اصابت باشد مقدار میانگین Q،  $E(Q)$ ، کدام است؟

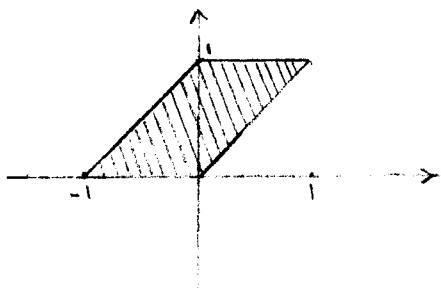
$$-\frac{9}{2} \quad (4)$$

$$-12 \quad (3)$$

$$-32 \quad (2)$$

$$-24 \quad (1)$$

۳۸- فرض کنید متغیرهای تصادفی  $X$  و  $Y$  دارای تابع چگالی احتمال توأمی با توزیع یکنواخت در ناحیه هاشور خورده شکل مقابل باشد، گزینه اشتباه کدام است؟



$$P(Y \geq X) = 1 \quad (1)$$

$$P(Y \geq 0) = 1 \quad (2)$$

$$E(X) = 0.5 \quad (3)$$

(۴) متغیر تصادفی  $Y$  دارای توزیع یکنواخت در فاصله  $[0, 1]$  است.

۳۹- فرض کنید  $A = \sqrt{x + \frac{2}{x}} - \sqrt{x - \frac{2}{x}}$  و  $x \gg 1$ . برای محاسبه‌ی  $A$ ، کدام گزینه، دقت بیشتری از فرمول اولیه به دست می‌دهد؟

$$x > \sqrt{\frac{2}{u}} \quad \text{به ازای} \quad \frac{2}{x\sqrt{x}} \quad (2)$$

$$x > \frac{1}{u} \quad \text{به ازای} \quad \frac{2}{x\sqrt{x}} \quad (4)$$

$$x > \sqrt{\frac{2}{u}} \quad \text{به ازای} \quad \frac{1}{x\sqrt{x}} \quad (1)$$

$$x > \frac{2}{u} \quad \text{به ازای} \quad \frac{1}{x\sqrt{x}} \quad (3)$$

۴۰- فرض کنید  $p(x) = x^k - x^t$ ، که در آن،  $k \neq t$  و  $k$  و  $t$  اعداد صحیح مثبت هستند. تابع  $q(x)$  را چند جمله‌ای درونیاب از درجه کوچکتر یا مساوی  $n$  به داده‌های  $(x_i, p(x_i))$ ،  $i = 1, \dots, n+1$ ، بگیرید. در این صورت،  $p(x) = q(x)$  اگر

$$n \geq \max(k, t) \quad (2)$$

$$k > t \quad \text{و} \quad n = \max(k, t) - 1 \quad (4)$$

$$n \leq \max(k, t) \quad (1)$$

$$n = \max(k, t) - 1 \quad (3)$$

۴۱- رابطه‌ی تکراری  $X_{n+1} = X_n(2 - aX_n)$  برای محاسبه‌ی  $\frac{1}{a}$ ،  $a > 0$ ، بدون نیاز به انجام عمل تقسیم با هر نقطه‌ی شروع در بازه‌ی ..... همگرا است.

$$\left(\frac{1}{2a}, \frac{3}{2a}\right) \quad (2) \quad \text{با همگرایی مجانبی خطی}$$

$$\left(\frac{1}{2a}, \frac{3}{2a}\right) \quad (4) \quad \text{با همگرایی مجانبی مرتبه‌ی ۲}$$

$$\left(\frac{1}{3a}, \frac{1}{2a}\right) \quad (1) \quad \text{با همگرایی مجانبی خطی}$$

$$\left(\frac{1}{3a}, \frac{1}{2a}\right) \quad (3) \quad \text{با همگرایی مجانبی مرتبه‌ی ۲}$$



(۴۲) در یک مشبکه (lattice) کدام رابطه برقرار است؟

منظور از  $\oplus$  کوچک‌ترین کران بالا و منظور از  $*$  بزرگ‌ترین کران پایین است.

$$a \oplus (b * c) \leq (a \oplus b) * (a \oplus c) \quad (۲)$$

$$a * (b \oplus c) \leq (a * b) \oplus (a * c) \quad (۱)$$

$$a \oplus b \leq a \oplus c \quad (۴)$$

$$a * b \leq a * c \quad (۳)$$

(۴۳)  $A$  یک مجموعه است که  $|A| = n$ . اگر  $R$  یک رابطه‌ی هم‌ارزی روی  $A$  باشد و  $|R| = r$ ، کدام گزینه همیشه درست است؟

$$(۲) \quad r - n \text{ عددی فرد است.}$$

$$(۱) \quad r - n \text{ عددی زوج است.}$$

$$(۴) \quad r - n \text{ مضرب ۳ است.}$$

$$(۳) \quad r - n \text{ عددی منفی است.}$$

(۴۴) فرض کنید  $f(n)$  تعداد جای‌گشت‌هایی از مجموعه‌ی  $\{1, 2, \dots, n\}$  است که برای هر  $1 \leq i \leq n$  داریم  $|\pi(i) - i| \leq 1$ . منظور از  $\pi(i)$  عضو  $i$  جای‌گشت قرار دارد. مثلاً در جای‌گشت  $(1, 2, 3)$ ،  $\pi(1) = 2$  مقدار  $f(10)$  کدام است؟

$$۸۹ \quad (۴)$$

$$۹۱ \quad (۳)$$

$$۹۰ \quad (۲)$$

$$۸۸ \quad (۱)$$

(۴۵) یک تطابق از گراف  $G = (V, E)$  زیرمجموعه‌ای از یال‌ها مانند  $M \subseteq E$  است طوری که هیچ دو یالی از  $M$  بر رأس مشترکی واقع نباشند. تطابق  $M$  ماکزیمال است، اگر  $M$  زیرمجموعه‌ی سره‌ی تطابق دیگری از  $G$  نباشد. درستی دو گزاره‌ی زیر را مشخص کنید.

الف) اگر  $M_1$  و  $M_2$  دو تطابق دل‌خواه از  $G = (V, E)$  باشند، آن‌گاه گراف  $G' = (V, M_1 \cup M_2)$  دوبخشی است.

ب) اگر  $M_1$  و  $M_2$  دو تطابق ماکزیمال باشند، آن‌گاه  $|M_1| \leq \frac{2}{3}|M_2|$ .

(۲) الف: نادرست، ب: درست

(۱) الف: نادرست، ب: نادرست

(۴) الف: درست، ب: درست

(۳) الف: درست، ب: نادرست

(۴۶) به چند طریق می‌توان ۸ رخ متمایز با شماره‌های ۱ تا ۸ را درون یک صفحه‌ی شطرنج  $8 \times 8$  که خانه‌های آن از ۱ تا ۶۴ شماره‌گذاری شده‌اند چید طوری که هیچ دو رخی یکدیگر را تهدید نکنند. (دو رخ یک‌دیگر را تهدید می‌کنند، اگر در یک سطر یا در یک ستون قرار گرفته باشند.)

$$(۴) \quad (۸!)^۲$$

$$(۳) \quad ۲ \times ۸!$$

$$(۲) \quad ۸!$$

$$(۱) \quad ۸^۸$$

۴۷) برای ساخت یک صف  $Q$  از دو پشته‌ی  $S_1$  و  $S_2$  استفاده می‌کنیم. برای درج  $x$  در انتهای  $Q$ ، عمل  $Push(S_1, x)$  را انجام می‌دهیم. برای حذف یک عنصر از ابتدای  $Q$ ، اگر  $S_2$  خالی نباشد، عمل  $Pop(S_2)$  را انجام می‌دهیم. در غیر این صورت، همه‌ی عناصر  $S_1$  را به ترتیب  $Pop$  کرده و در  $S_2$   $Push$  می‌کنیم. اکنون عمل  $Pop$  بر روی  $S_2$  عنصر ابتدایی  $Q$  را بر می‌گرداند.

اگر بر روی  $Q$  که در ابتدا خالی است، ۱۰۰ عمل صورت گیرد (درج در انتها، حذف از ابتدا یا هر ترتیب دل‌خواهی از آن‌ها) حداکثر هزینه چه مقدار خواهد بود؟ فرض کنید هر  $Push$  و هر  $Pop$  بر روی هر یک از این دو پشته ۱ واحد هزینه دارد.

۱۵۰ (۱)                      ۱۵۱ (۲)                      ۱۹۹ (۳)                      ۲۰۰ (۴)

۴۸) کدام یک از گزینه‌های زیر حل رابطه‌ی بازگشتی زیر  $(T(n, k))$  است؟

$$T(n, k) = T(n/2, k) + T(n, k/4) + kn$$

$\Theta(nk)$  (۱)                       $\Theta(n \log_4(nk))$  (۲)                       $\Theta(n + \log_4(nk))$  (۳)                       $\Theta(nk \log_4(nk))$  (۴)

۴۹) برای  $n$  عنصر با کلیدهای مجزا کدام یک از داده‌ساختارهای زیر را می‌توان ایجاد کرد؟

الف) درج و حذف از مرتبه‌ی  $O(\lg n)$  و یافتن تعداد عناصر بزرگ‌تر از  $a$  و کوچک‌تر از  $b$  (به‌ازای هر  $a$  و  $b$ ) در  $O(\lg n)$ .

ب) ساخت آن از مرتبه‌ی  $O(n)$ ، درج یک عنصر در  $O(\lg n)$  و حذف کوچک‌ترین عنصر در  $O(\lg n)$  (کوچک)

۱) الف: می‌توان، ب: می‌توان  
۲) الف: می‌توان، ب: نمی‌توان  
۳) الف: نمی‌توان، ب: می‌توان  
۴) الف: نمی‌توان، ب: نمی‌توان

۵۰)  $n$  عدد صحیح غیر تکراری در بازه‌ی  $[0, n^k - 1]$  را با چه مرتبه‌ی زمانی می‌توان مرتب کرد؟ بهترین گزینه را انتخاب کنید. منظور از هزینه تعداد دفعات خواندن و نوشتن این اعداد از (در حافظه است).

$\Theta(n)$  (۱)                       $\Theta(n+k)$  (۲)                       $\Theta(nk)$  (۳)                       $\Theta(n \lg k)$  (۴)

۵۱) یک جدول درهم‌سازی پویا با روش آدرس‌دهی باز (Open Hashing) پیاده‌سازی شده است. اگر هنگام درج یک عنصر،  $\frac{1}{4}$  اندازه‌ی جدول پر باشد، جدولی به‌اندازه‌ی ۲ برابر جدول فعلی ایجاد می‌شود، عناصر فعلی به این جدول منتقل، جدول قبلی حذف و سپس عنصر جدید در آن درج می‌شود. اگر با حذف یک عنصر، تعداد عناصر موجود در جدول از  $\frac{1}{8}$  ام اندازه‌ی جدول کم‌تر شود، جدولی به‌اندازه‌ی نصف جدول فعلی ایجاد و همه‌ی عناصر جدول فعلی به آن منتقل شده و جدول قبلی حذف می‌شود. فرض کنید که هزینه‌ی درج و حذف مستقیم هر عنصر در جدول  $O(1)$  است. با فرض این‌که در حال حاضر جدول  $n$  عنصر دارد و قرار است  $n$  عمل درج یا حذف صورت گیرد، هزینه‌ی سرشکن‌شده‌ی هر کدام از این اعمال کدام است؟

$\Theta(1)$  (۱)                       $\Theta(\lg n)$  (۲)                       $\Theta(\sqrt{n})$  (۳)                       $\Theta(n)$  (۴)

۵۲) الگوریتم زیر که عنصر کمینه‌ی آرایه‌ی  $n$  عضوی  $A$  را به دست می‌آورد در نظر بگیرید:

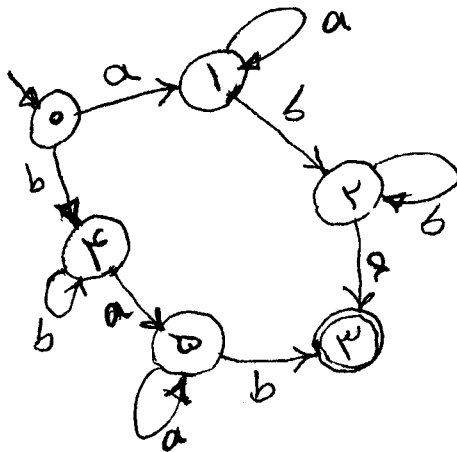
```

MINIMUM(A, n)
1  min ← -∞
2  for i ← 1 to n
3    do if min > A[i]
4      then min ← A[i]
    
```

با فرض این که آرایه‌ی  $A$  به احتمال یک‌سان یکی از جای گشت‌های آن است، کدام یک از گزینه‌های زیر میانگین تعداد دفعاتی است که سطر ۴ الگوریتم بالا اجرا می‌شود؟ بهترین گزینه را انتخاب کنید.

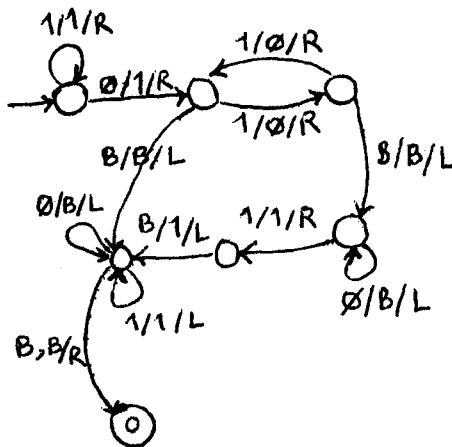
- $\Theta(\lg^2 n)$  (۴)                       $\Theta(\sqrt{n})$  (۳)                       $\Theta(n)$  (۲)                       $\Theta(\lg n)$  (۱)

۵۳) - ماشین روبه‌رو، چه رشته‌هایی را می‌پذیرد؟



- (۱) رشته‌هایی از  $\{a, b\}$ ، که یا  $ab$  یا  $ba$  را به صورت زیر رشته دارند.
- (۲) رشته‌هایی از  $\{a, b\}$ ، که تعداد  $a$ ها یا تعداد  $b$ ها در آنها زوج است.
- (۳) رشته‌هایی از  $\{a, b\}$ ، که  $aba$  و  $bab$  را به صورت زیر رشته دارند.
- (۴) رشته‌هایی از  $\{a, b\}$ ، که هم  $ab$  و هم  $ba$  را به صورت زیر رشته دارند.

۵۴) - ماشین تورینگ مطابق شکل زیر با ورودی  $\{w = xoy \mid x = 1^*, y = 1^*\}$  مفروض است. کدام تابع توسط آن حساب می‌شود؟



- (۱)  $f(x, y) = x + 1 + (y \bmod 2)$
- (۲)  $f(x, y) = x + (y \bmod 2)$
- (۳)  $f(x, y) = (x + y + 1) \bmod 2$
- (۴)  $f(x, y) = (x + y) \bmod 2$

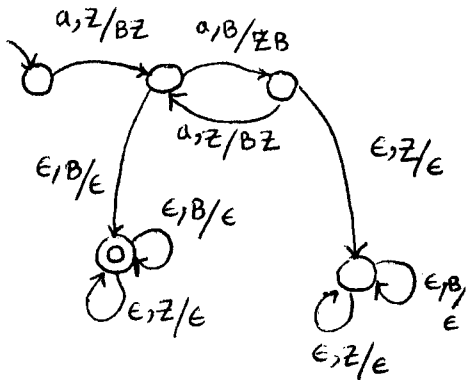
۵۵- زبان پذیرنده اتوماتای پشته‌ای، توسط کدام گرامرها تولید نمی‌گردد؟

$$\begin{aligned} S &\rightarrow a B a a \mid a \in \\ aB &\rightarrow a S \mid \epsilon \end{aligned} \quad (1)$$

$$\begin{aligned} S &\rightarrow a a B \\ aB &\rightarrow a a a B \mid \epsilon \end{aligned} \quad (2)$$

$$\begin{aligned} S &\rightarrow a a B \mid a \\ aB &\rightarrow a a B \mid \epsilon \end{aligned} \quad (3)$$

$$\begin{aligned} S &\rightarrow a B \\ B &\rightarrow a a B \mid \epsilon \end{aligned} \quad (4)$$



۵۶- زبان‌های  $L_1, L_2, L_3$  در زیر تعریف شده‌اند. کدام یک از جملات زیر در مورد آنها نادرست است؟

$$L_1 = \{\omega^* \mid \omega = x \text{ and } x \in \Sigma^*\}$$

$$L_2 = \{\omega\omega^R\omega^R \mid \omega \in (\Sigma + \Sigma)^*\}$$

$$L_3 = \{\omega \mid \omega = xy, x, y \in \Sigma^*, \text{ x زیر رشته‌ای از y است}\}$$

(۱) اتوماتای پشته‌ای وجود دارد که پذیرنده  $L_1 \cap L_2$  باشد. (۲) اتوماتای پشته‌ای وجود دارد که پذیرنده  $L_1 \cup L_2$  باشد.

(۳) اتوماتای پشته‌ای وجود دارد که پذیرنده  $L_1 \cap L_3$  باشد. (۴) اتوماتای پشته‌ای وجود دارد که پذیرنده  $L_1 \cup L_3$  باشد.

۵۷- زبان  $L = \{xy : x, y \in \{a, b\}^*\}$  با اعمال چهار محدودیت به شرح زیر مفروض است.

I:  $x = y$  , II:  $x \neq y$  , III:  $x = y^R$  , IV: تعداد حروف x با تعداد حروف y برابر نیست.

کدام گزینه در مورد آن صحیح است؟

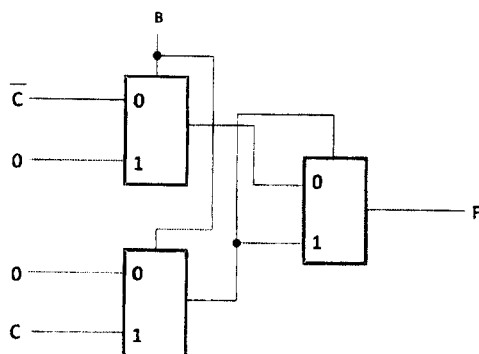
(۱) L با محدودیت‌های I و II مستقل از متن نیست و با III و IV هست.

(۲) L با محدودیت‌های I, II و IV مستقل از متن است و با III نیست.

(۳) L با محدودیت‌های II, III و IV مستقل از متن است و با I نیست.

(۴) L با هر چهار محدودیت مستقل از متن است.

۵۸- شکل روبه‌رو، کدام تابع منطقی را پیاده‌سازی کرده است؟ بلوک‌های موجود در شکل، مولتی‌پلکسر می‌باشند.



XNOR (۱)

XOR (۲)

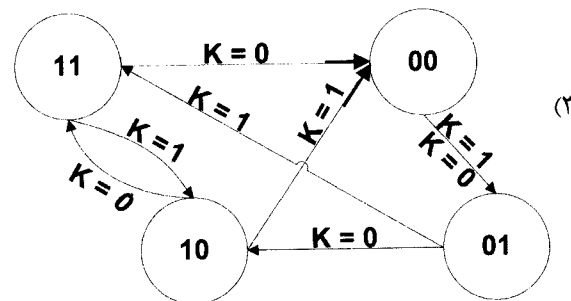
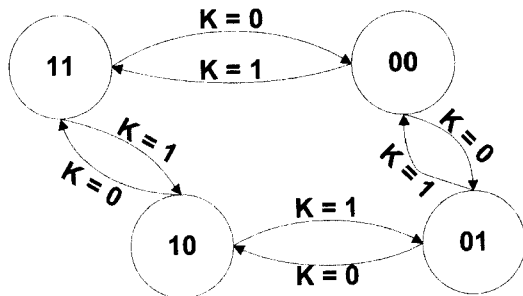
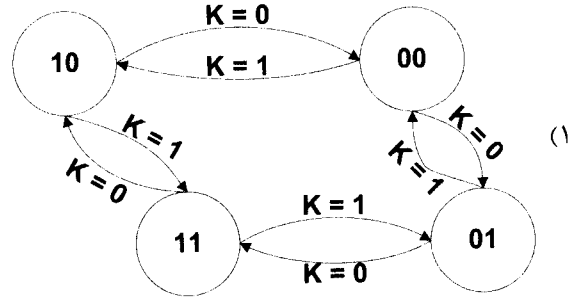
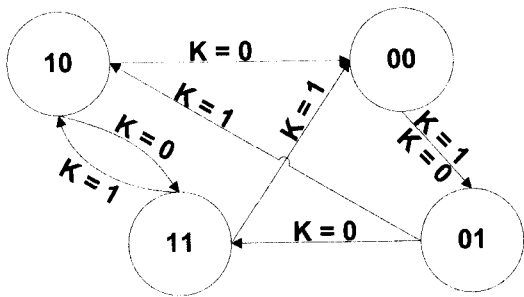
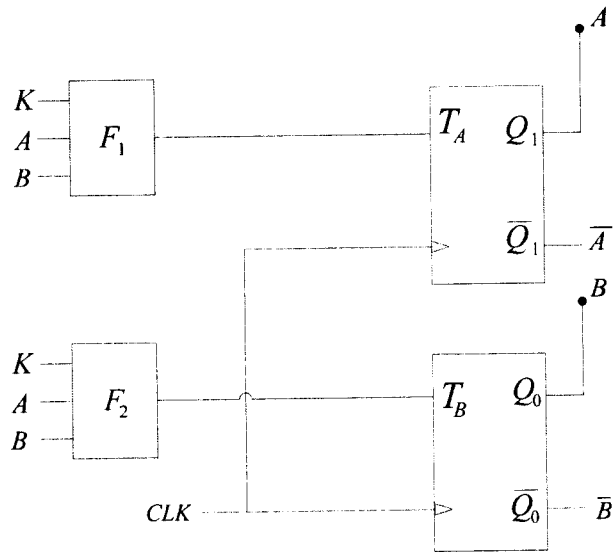
NAND (۳)

AND (۴)

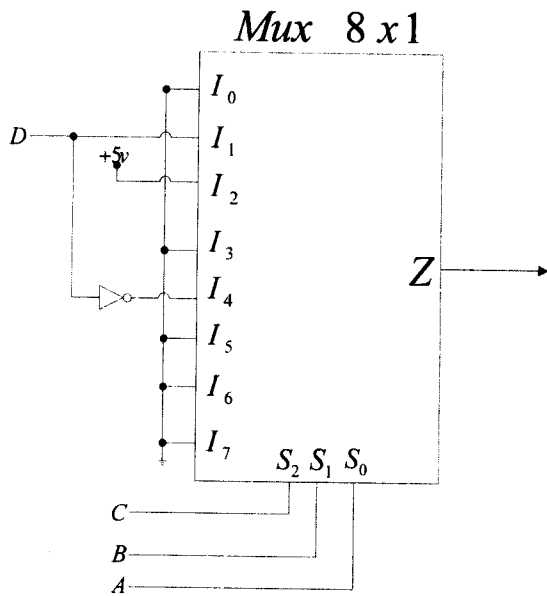
۵۹- اگر در مدار ترتیبی هم زمان زیر، مقادیر  $T_A$  و  $T_B$  به صورت  $T_A = f_1 = \bar{A}B + B\bar{K} + A\bar{B}K$  و

$T_B = f_2 = \bar{K} + \bar{A}\bar{B} + AB$  تعریف شوند، نمودار حالت آن به چه صورت ترسیم می‌شود؟ (K متغیر ورودی است).

$Q_1 Q_0 \equiv AB$

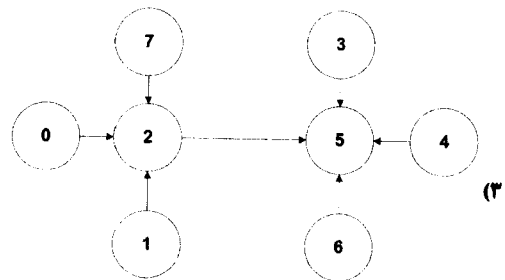
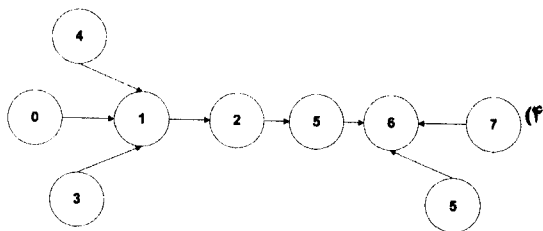
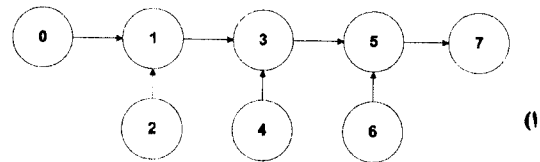
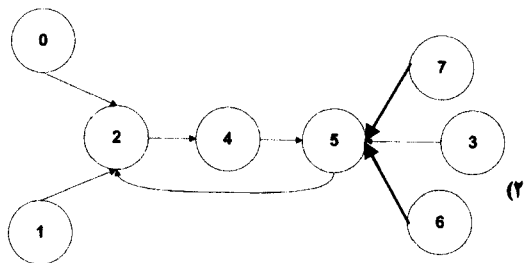
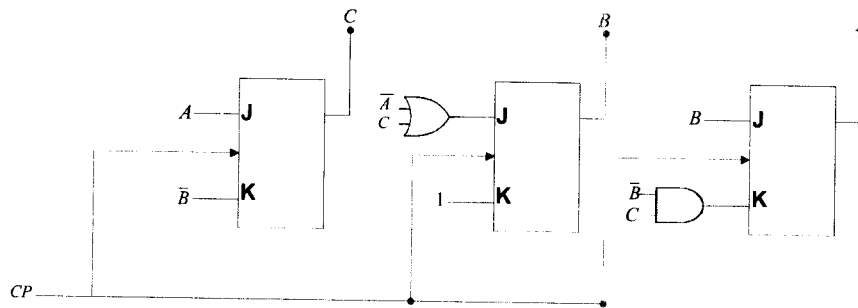


۶۰- با توجه به شکل روبه‌رو، معادله خروجی  $Z(D,C,B,A)$  برحسب ورودی‌های  $A, B, C$  و  $D$  کدام است؟ (راهنمایی:  $D$  ورودی پر ارزش است).

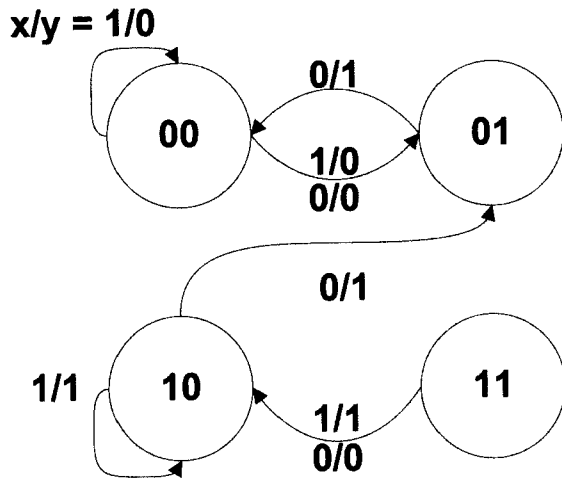


- (۱)  $z = \sum m(0,1,3,5,6,7,8,11,12,13,14,15)$
- (۲)  $z = \prod m(0,3,5,6,7,8,11,13,14,15)$
- (۳)  $z = \prod m(0,1,3,5,6,7,8,11,12,13,14,15)$
- (۴)  $z = \sum m(2,9)$

۶۱- در شمارنده شکل زیر، اگر حالت کنونی خروجی 000 باشد، نمودار حالت شمارنده سه بیتی، کدام است؟

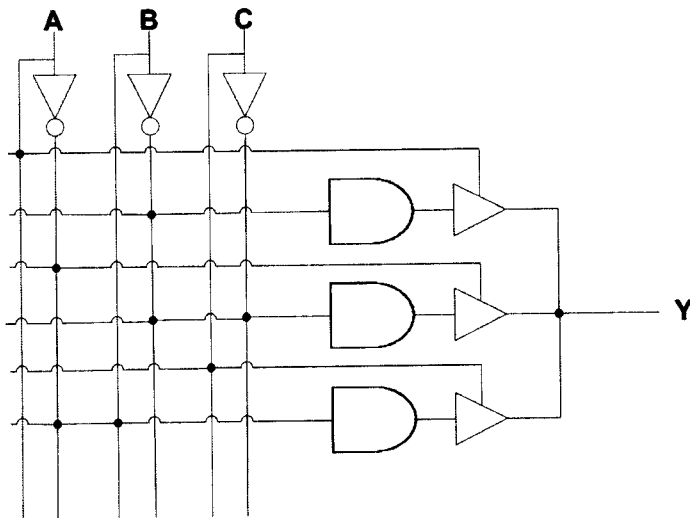


۶۲- مداری دارای نمودار حالت زیر می‌باشد. اگر این مدار را با فلیپ فلاپ T طراحی نمائیم، ورودی فلیپ فلاپ  $T_A$  و  $T_B$  و تابع خروجی Y کدام است؟ این ماشین میلی است یا مور؟



- (۱) مور ،  $Y = \bar{A}X + B\bar{X}$   $T_B = \bar{B}$   $T_A = B + \bar{A}\bar{X}$
- (۲) میلی ،  $Y = AX + \bar{B}\bar{X}$   $T_B = B + \bar{X}$   $T_A = A\bar{B}\bar{X}$
- (۳) میلی ،  $Y = AX + B$   $T_B = B + \bar{A}\bar{X}$   $T_A = A$   $B$
- (۴) مور ،  $Y = AX + \bar{B}\bar{X}$   $T_B = A + \bar{B}X$   $T_A = \bar{A}\bar{X}$

۶۳- مدار شکل روبه‌رو، برای پیاده‌سازی کدام یک از توابع زیر می‌تواند مورد استفاده قرار گیرد؟ در خروجی گیت‌های AND، از بافرهای سه وضعیتی (3-State) استفاده شده است.



$$Y(a, b, c) = \sum m(0, 4) + d(3, 5) \quad (۱)$$

$$Y(a, b, c) = \sum m(0, 3, 4, 5) \quad (۲)$$

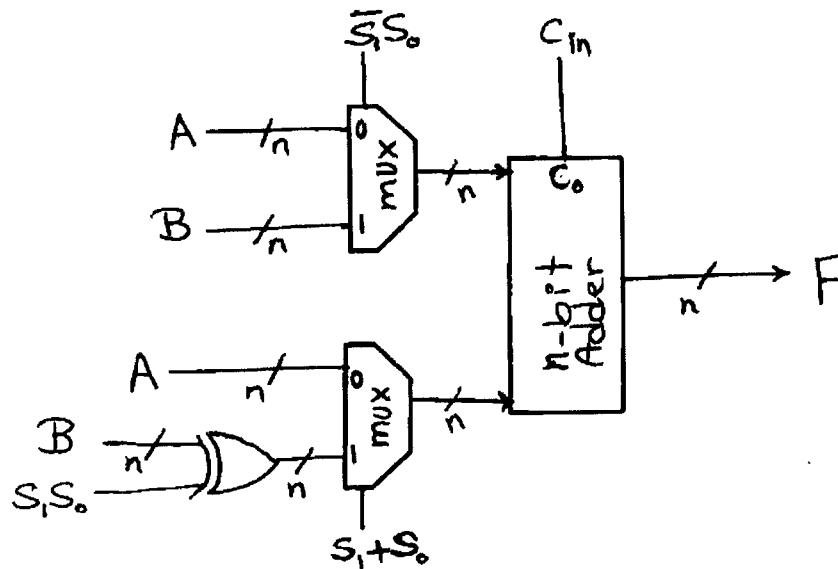
$$Y(a, b, c) = \sum m(0, 4) \quad (۳)$$

(۴) این مدار نمی‌تواند پیاده‌سازی هیچ تابع منطقی باشد.

- ۶۴- کدام عبارت در مورد روش‌های I/O صحیح نمی‌باشد؟  
 (۱) روش memory mapped سریع‌ترین روش انجام عملیات I/O است.  
 (۲) در روش Interrupted I/O انجام عملیات I/O با رسیدن سیگنال وقفه آغاز می‌شود.  
 (۳) در روش DMA داده‌ها می‌توانند بین دستگاه I/O و حافظه، بین دو بانک حافظه، بین دو دستگاه I/O تبادل شوند.  
 (۴) روش programmed I/O به دلیل مشغول کردن پردازنده اصلی برای بررسی آمادگی دستگاه I/O، کارایی سیستم را پایین می‌آورد.
- ۶۵- در یک پردازنده فضای قابل آدرس‌دهی  $2^{24}$  واحد آدرس‌پذیر است و هر کلمه شامل ۸ واحد آدرس‌پذیر است. اگر حجم حافظه اصلی سیستم ۲۵۶ برابر حجم حافظه نهان باشد و حافظه نهان شامل ۲۵۶ بلوک باشد، اندازه هر بلوک برابر است با:  
 (۱) ۵۱۲ واحد آدرس‌پذیر  
 (۲) ۱۲۸ واحد آدرس‌پذیر  
 (۳) ۲۵۶ کلمه  
 (۴) ۳۲ کلمه
- ۶۶- در یک کامپیوتر با طول کلمه ۱۶ بیت (واحد آدرس‌پذیر ۸ بیتی)، حجم حافظه اصلی ۳۲K کلمه است. شیوه‌های نشانی‌دهی مورد استفاده ثباتی (شماره ثبات عمومی در قالب دستور می‌آید) و حافظه‌ای مستقیم (آدرس عملوند در قالب می‌آید) می‌باشند. دستورات در دو قالب یک کلمه‌ای و دو کلمه‌ای کد می‌شوند و سه آدرس هستند. با فرض داشتن حداکثر ۵۷۶ دستورات عمل مختلف در این کامپیوتر، حداکثر تعداد ثبات‌های عمومی این کامپیوتر چیست؟ توجه: در دستورات یک کلمه‌ای هر سه عملوند ثباتی هستند.  
 (۱) ۴  
 (۲) ۸  
 (۳) ۱۶  
 (۴) ۳۲
- ۶۷- در یک پردازنده واحد کنترل از نوع ریزبرنامه‌ریزی شده (microprogrammed) می‌باشد. این واحد کنترل حاوی ۲۰۰۰ ریز دستورات عمل است که طول کلمه کنترل در هر یک از آنها ۱۰۰ بیت است و در مجموع تمام کلمه‌های کنترل تنها ۱۵۰ حالت مختلف استفاده شده است. با استفاده از روش نانو برنامه‌ریزی (استفاده از nano-memory) حجم حافظه مورد نیاز چند بیت است؟  
 (۱) ۹۶۰۰۰  
 (۲) ۹۶۰۷۶۰  
 (۳) ۱۲۸۵۰۰  
 (۴) ۱۶۹۰۰۰
- ۶۸- می‌خواهیم محتویات دو ثبات ده بیتی A و B (در شیوه مکمل ۲) را به روش Booth در هم ضرب کنیم. کدام عبارت صحیح است؟  $B = 1010101000$ ،  $A = 1100101101$   
 (۱) حداقل ۶ عمل جمع انجام می‌شود.  
 (۲) حداقل ۳ عمل جمع انجام می‌شود.  
 (۳) حداکثر ۶ عمل تفریق انجام می‌شود.  
 (۴) حداقل ۳ عمل تفریق انجام می‌شود.



۶۹- شکل زیر یک مدار حسابی را نشان می‌دهد. کدام گزینه نشان‌دهنده جدول تابع این مدار حسابی است؟



$S_1 S_0 C_{in}$	تابع F	تابع F	تابع F	تابع F
۰۰۰	$2A$	$2A - 1$	$2A$	$2A + 1$
۰۰۱	$2A + 1$	$2A$	$2A - 1$	$2A$
۰۱۰	$2B$	$2B - 1$	$2B$	$2B + 1$
۰۱۱	$2B + 1$	$2B$	$2B - 1$	$2B$
۱۰۰	$A + B$	$A + B - 1$	$A + B$	$A + B + 1$
۱۰۱	$A + B + 1$	$A + B$	$A + B - 1$	$A + B$
۱۱۰	$A - B - 1$	$A - B + 1$	$A - B + 1$	$A - B$
۱۱۱	$A - B$	$A - B$	$A - B$	$A - B - 1$

(۴)                      (۳)                      (۲)                      (۱)

۷۰- الگوریتم زیر یک راه حل نرم‌افزاری برای حل مسئله ناحیه بحرانی برای دو فرآیند است. در این راه حل هر فرآیند تلاش می‌کند بی‌نهایت بار وارد ناحیه بحرانی شود. هر فرآیند برای ورود به ناحیه بحرانی تابع  $Wait(i)$  و برای خروج از ناحیه بحرانی تابع  $Signal(i)$  را فراخوانی می‌کند که  $i \in \{0, 1\}$  شماره فرآیند است.  $c$  نیز یک آرایه با طول ۲ از متغیرهای دودویی است که با مقدار  $true$  پر شده است.

```

Wait(i){
    c[i] = false;
    while(c[1-i]) do;
}

Signal(i){
    c[i] = true;
}
    
```

کدام یک از گزینه‌های زیر درست نیست؟

- (۱) این راه حل استفاده انحصاری از ناحیه بحرانی را برآورد می‌کند.
- (۲) این راه حل شرط انتظار محدود را برآورد می‌کند.
- (۳) این راه حل همه شرایط ناحیه بحرانی را برآورد می‌کند.
- (۴) این راه حل شرط پیشرفت را برآورد می‌کند.

۷۱- اگر فرآیندهای  $P_0, P_1, P_2$  با هم وارد سیستم شده و به ترتیب به ۱۵، ۱۲، ۲۵ ثانیه زمان برای اجرا نیاز داشته باشند، در صورت استفاده از روش صف بازخورد چند سطحی (Multilevel Feedback Queue) با سه صف با کوانتم‌های ۴، ۸، ۱۶ ثانیه و زمان تعویض متن ۱ ثانیه، میانگین زمان برگشت فرآیندها (Turnaround Time) چند ثانیه خواهد بود؟

۴۰ (۱)      ۳۹/۳۳ (۲)      ۳۹/۶۶ (۳)      ۳۹ (۴)

۷۲- کدام گزینه زیر درباره جدول صفحه معکوس (inverted page table) درست نیست؟

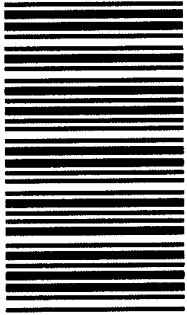
- (۱) این نوع جدول زمان نگاشت آدرس منطقی به آدرس فیزیکی کاهش می‌دهد.
- (۲) این نوع جدول صفحه سبب کاهش اندازه حافظه فیزیکی جهت ذخیره‌سازی آن می‌شود.
- (۳) در این نوع جدول صفحه زمان سرویس نقص صفحه (page fault) به دلیل ایجاد یک نقص صفحه دیگر افزایش می‌یابد.
- (۴) برای این نوع جدول صفحه می‌بایست یک جدول صفحه خارجی نیز ذخیره شود.

۷۳- کدام گزینه درباره مدل‌های چند نخ‌ی درست نیست؟

- (۱) مدل‌های یک به یک و چند به چند توانایی بکارگیری بهتر از پردازنده‌ها / هسته‌ها را دارند.
- (۲) مدل چند به یک نسبت به مدل یک به یک از کارایی کمتری برخوردار است.
- (۳) در مدل‌های یک به یک و چند به یک امکان همزمانی کامل بین نخ‌ها وجود دارد.
- (۴) مدل یک به یک نسبت به مدل چند به یک از همزمانی بیشتری برخوردار است.

511

B



511B

نام

نام خانوادگی

محل امضاء

دفترچه شماره ۲

صبح جمعه

۹۱/۱۱/۲۰



جمهوری اسلامی ایران  
وزارت علوم، تحقیقات و فناوری  
سازمان سنجش آموزش کشور

اگر دانشگاه اصلاح شود مملکت اصلاح می شود.

امام خمینی (ره)

## آزمون ورودی دوره‌های کارشناسی ارشد ناپیوسته داخل - سال ۱۳۹۲

مجموعه مهندسی کامپیوتر - کد ۱۲۷۷

مدت پاسخگویی: ۸۰ دقیقه

تعداد سؤال: ۴۸

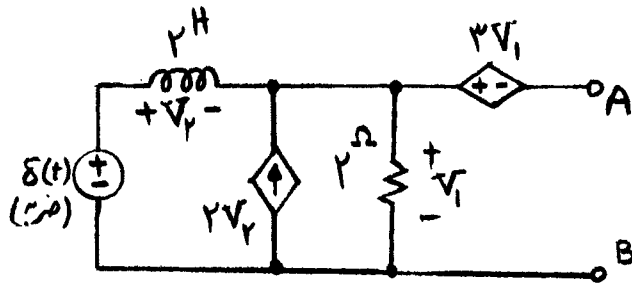
عنوان مواد امتحانی، تعداد و شماره سؤالات

ردیف	مواد امتحانی	تعداد سؤال	از شماره	تا شماره
۱	دروس تخصصی معماری کامپیوتر (مدارهای الکتریکی، VLSI، الکترونیک دیجیتال، انتقال داده‌ها)	۱۶	۷۴	۸۹
۲	دروس تخصصی نرم افزار (کامپایلر، زبانهای برنامه سازی، طراحی الگوریتم، پایگاه داده)	۱۶	۹۰	۱۰۵
۳	دروس تخصصی هوش مصنوعی (مدارهای الکتریکی، طراحی الگوریتم‌ها، هوش مصنوعی)	۱۶	۱۰۶	۱۲۱

بهمن ماه سال ۱۳۹۱

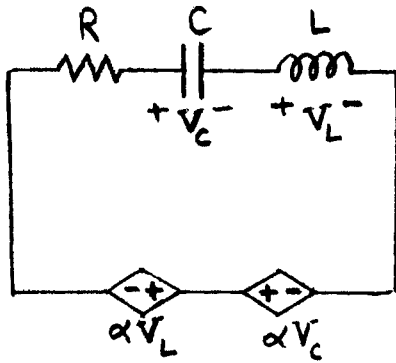
استفاده از ماشین حساب مجاز نمی باشد.

۷۴- امپدانس معادل تونن مدار شکل مقابل از دو سر A و B کدام گزینه است؟



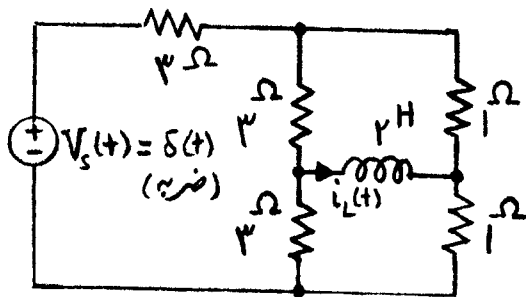
- (1)  $\frac{-4s}{1+\Delta s}$
- (2)  $\frac{3s}{1+2s}$
- (3)  $\frac{-3s}{1+2s}$
- (4)  $\frac{4s}{1+\Delta s}$

۷۵- در مدار مقابل فرکانس تشدید کدام است؟



- (1)  $\sqrt{\frac{(1-\alpha)}{LC}}$
- (2)  $\sqrt{\frac{(1-\alpha)}{(1+\alpha)LC}}$
- (3)  $\frac{1}{\sqrt{(1+\alpha)LC}}$
- (4)  $\sqrt{\frac{(1+\alpha)}{(1-\alpha)LC}}$

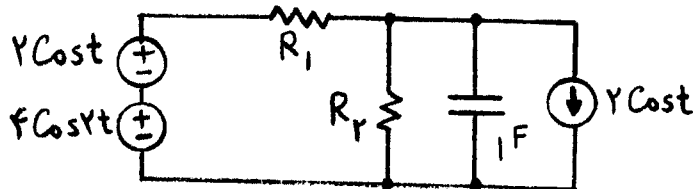
۷۶- در مدار شکل مقابل جریان سلف در لحظه  $t = 0^+$  چند آمپر است؟



$i_L(0^-) = 0$

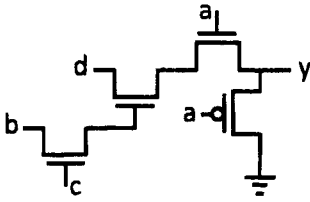
- (1)  $-\frac{1}{15}$
- (2)  $+\frac{1}{30}$
- (3)  $-\frac{1}{30}$
- (4)  $+\frac{1}{15}$

۷۷- در مدار شکل زیر با در نظر گرفتن  $R_1 = 1 \Omega$ ،  $R_2 = 1 \Omega$ ، توان متوسط مصرفی  $(P_{avr})$  در مقاومت  $R_1$  چند وات است؟



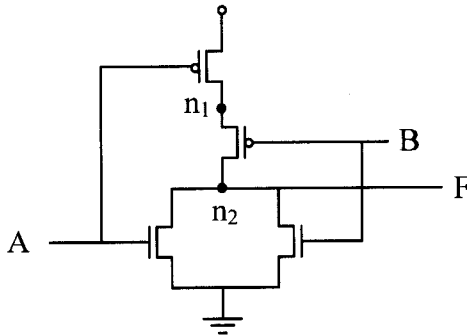
- (1) ۱۶/۴
- (2) ۸/۲
- (3) ۱۴
- (4) ۷

۷۸- با فرض آنکه  $|V_{tn}| = |V_{tp}| = V_t$  است. حداقل و حداکثر ولتاژ ممکن در خروجی کدام است؟ (دامنه تغییرات ورودی‌ها  $(0, V_{DD})$  می‌باشد.



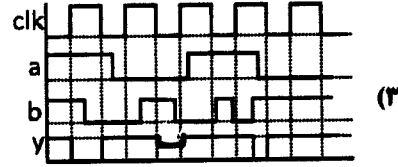
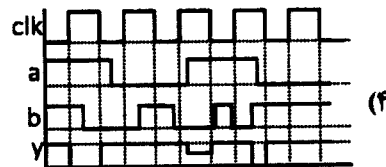
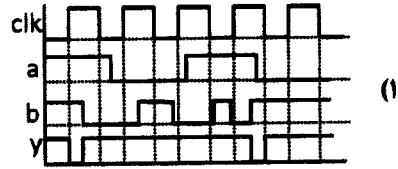
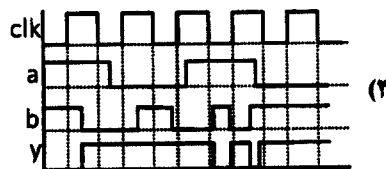
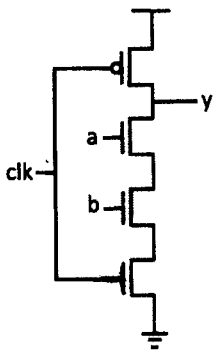
- (۱)  $(0, V_{DD} - V_t)$
- (۲)  $(V_t, V_{DD})$
- (۳)  $(0, V_{DD} - 2V_t)$
- (۴)  $(V_t, V_{DD} - 2V_t)$

۷۹- مدار زیر را در نظر بگیرید. مجموعه‌ی بردار تست حداقل (AB) برای تشخیص همه اشکالات تکی Stuck at 0 برای دو گره  $n_1$  و  $n_2$  کدام است؟



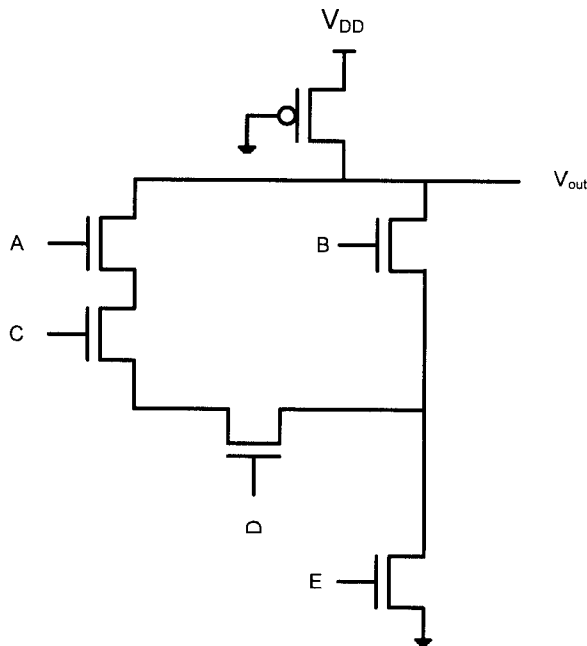
- (۱) "00"
- (۲) "01" و "10"
- (۳) "00" و "11"
- (۴) "01" و "10" و "11"

۸۰- کدام شکل موج خروجی گیت Dynamic NAND شکل زیر متناسب با ورودی اعمال شده است؟ (شکل موج ورودی‌ها در همه گزینه‌ها یکسان است.)



۸۱- در شکل زیر با فرض یکسان بودن اندازه ترانزیستورهای شبکه NMOS، تأخیر بیشینه نزول ( $t_{pHL}$ ) به ازای چه تغییری

در ورودی‌ها، به دست می‌آید؟



ABCDE = 00000 → 11111 (۱)

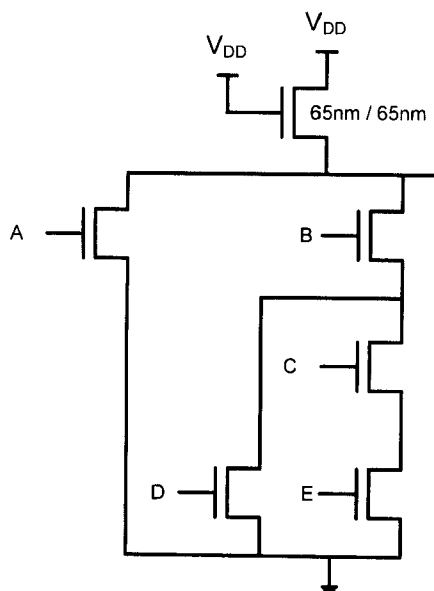
ABCDE = 10110 → 10111 (۲)

ABCDE = 00000 → 10111 (۳)

ABCDE = 10110 → 11111 (۴)

۸۲- شبکه‌ی شکل زیر را در نظر بگیرید. اگر بخواهیم  $W/L$  معادل شبکه‌ی پایین‌تر از ۴ برابر  $W/L$  ترانزیستور بار کم‌تر نباشد،

ابعاد ترانزیستورهای شبکه‌ی پایین‌تر، کدام است؟



A: 260 nm/65 nm

B: 520 nm/65 nm

C: 260 nm/65 nm (۲)

D: 260 nm/65 nm

E: 260 nm/65 nm

A: 780 nm/65 nm

B: 520 nm/65 nm

C: 780 nm/65 nm (۱)

D: 780 nm/65 nm

E: 780 nm/65 nm

A: 780 nm/65 nm

B: 260 nm/65 nm

C: 260 nm/65 nm (۴)

D: 520 nm/65 nm

E: 260 nm/65 nm

A: 260 nm/65 nm

B: 780 nm/65 nm

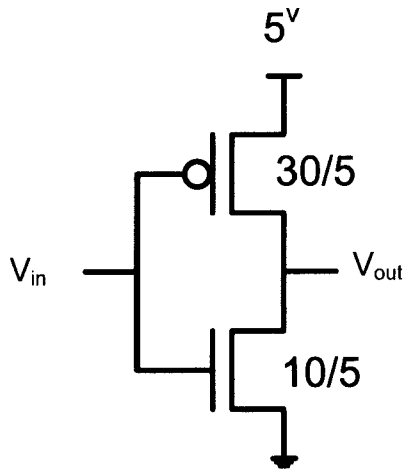
C: 780 nm/65 nm (۳)

D: 390 nm/65 nm

E: 780 nm/65 nm

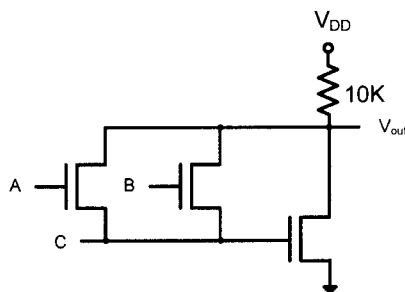
۸۳- در مدار زیر، نسبت  $\frac{W}{L}$  ترانزیستورها در مقابل آن‌ها نوشته شده است. علاوه بر این می‌دانیم که  $C_{ox} = 15 \frac{fF}{\mu m^2}$ . اگر

بخواهیم یک خازن بار  $C_L = 27 PF$  را به خروجی متصل نمائیم، تعداد بینه‌ درایورهای لازم برای انجام این امر چند عدد خواهد بود؟ (e را برابر ۳ فرض کنید).



- ۱ (۱)
- ۳ (۲)
- ۲ (۳)
- ۴ (۴)

۸۴- مدار زیر، چه تابعی را پیاده‌سازی می‌کند؟



(۱)  $V_{out} = AB + C$

(۲)  $V_{out} = \overline{A + B + C}$

(۳)  $V_{out} = (A + B)\overline{C}$

(۴)  $V_{out} = \overline{(A + B)C}$

۸۵- اگر برای ساخت یک ترانزیستور NMOS افزایشی در فناوری n-well process با دو لایه فلز به ۶ عدد ماسک نیاز باشد، برای ساخت یک ترانزیستور PMOS تخلیه‌ای با ۸ لایه فلز در همین فناوری (n-well process)، در کل چند ماسک مورد نیاز است؟

- ۱۳ (۱)
- ۱۸ (۲)
- ۱۹ (۳)
- ۲۰ (۴)

۸۶- فریم‌های ۵۰۰ بایتی از طریق یک کانال ماهواره‌ای که تأخیر انتشار رفت و برگشت آن ۲۷۰ میلی‌ثانیه است، با نرخ ۱ Mbps فرستاده می‌شوند. با فرض قابل چشم‌پوشی بودن طول پیغام‌های ACK و اینکه پروتکل ارتباطی پنجره لغزان است، حداقل چند بیت برای شماره‌گذاری فریم‌ها مورد نیاز است تا کارایی کانال به ۴۰٪ برسد؟

- ۵ (۱)
- ۸ (۳)
- ۶ (۲)
- ۹ (۴)

۸۷- ساختار فریم در یک سیستم انتقال آسنکرون شامل n بیت داده، یک بیت توازن، یک بیت شروع و دو بیت پایان است. اگر پالس ساعت گیرنده ۴ درصد کندتر باشد، در این صورت حداکثر مقدار مجاز برای طول داده (n) چقدر است؟ (نمونه‌برداری وسط پالس انجام می‌شود).

- ۲۵ (۱)
- ۱۰ (۳)
- ۱۲ (۲)
- ۸ (۴)

۸۸- می‌خواهیم سیگنالی با نرخ  $100 \text{ kbps}$  را بدون خطا از کانالی با پهنای باند  $10 \text{ kHz}$  و تضعیف  $100 \frac{\text{dB}}{\text{km}}$  عبور دهیم. اگر

توان سیگنال در ورودی کانال  $100 \text{ mW}$  و چگالی توان نویز در خروجی کانال  $200 \frac{\text{dBW}}{\text{Hz}}$  باشد، حداکثر طول مجاز کانال

چند متر است؟

- (۱) ۸۰۰
- (۲) ۱۲۰۰
- (۳) ۹۰۰
- (۴) ۱۵۰۰

۸۹- یک منبع ۴ علامت تولید می‌کند که احتمال تولید آنها به ترتیب  $\frac{1}{8}$ ،  $\frac{1}{4}$ ،  $\frac{1}{8}$  و  $\frac{1}{8}$  و نرخ تولید علائم یکصد هزار علامت بر دقیقه است. می‌خواهیم برای انتقال این علائم از مدولاسیون‌های چند سطحی استفاده کنیم. اگر کانال انتقال بدون نویز بوده و

پهنای باند آن یک کیلوهرتز باشد، حداقل تعداد سطوح مدولاسیون کدام است؟

- (۱) ۱۶
- (۲) ۴
- (۳) ۸
- (۴) ۲۵۶

دروس تخصصی نرم‌افزار (کامپایلر، زبان‌های برنامه‌سازی، طراحی الگوریتم، پایگاه داده)

۹۰- به هنگام ساختن جدول تجزیه به روش LR(1) در مورد گرامر

$$S \rightarrow E \quad E \rightarrow E + T \mid T \quad T \rightarrow id$$

حالت مقصد I با واژه ورودی +، کدام است؟

$$I = \{[S \rightarrow E., \$], [E \rightarrow E. + T, \$+]\}$$

$$(۱) \{[E \rightarrow E + . T, \$+], [T \rightarrow . id, \$+]\}$$

$$(۲) \{[E \rightarrow E + . T, \$+], [T \rightarrow . id, id]\}$$

$$(۳) \{[S \rightarrow E., \$], [E \rightarrow E. + T, \$+], [E \rightarrow E + . T, \$+]\}$$

$$(۴) \{[E \rightarrow E + . T, id], [T \rightarrow . id, id]\}$$

۹۱- کدام یک از حالت‌های زیر در حین تجزیه LL(1) گرامر زیر رخ نخواهد داد؟ فرض کنید تمام ورودی‌ها، چه غلط چه درست، با \$ تمام می‌شوند.

$$E \rightarrow FT\$$$

$$T \rightarrow *FT \mid \epsilon$$

$$F \rightarrow id \mid (E)$$

(۱) پایانه سرپشته با پایانه ورودی، یکسان نباشد.

(۲) پشته خالی باشد، اما هنوز از ورودی باقی‌مانده باشد.

(۳) ورودی تمام شده باشد ولی پشته خالی نباشد.

(۴) جدول تجزیه در ردیف غیرپایانه سرپشته و پایانه ورودی خالی باشد.



۹۲- خطاهای زیر در برنامه‌های یک زبان برنامه‌سازی متعارف مفروض است. کدام دسته از خطاها توسط پارسر قابل کشف هستند؟

- I- نابرابری تعداد اندیس‌های یک آرایه با تعداد ابعاد تعریف شده آرایه
  - II- ناهمخوانی نوع متغیرهای A و B در عبارت  $A + B$
  - III- نابرابری تعداد پارامترهای فراخوانی یک تابع، با تعداد پارامترهای تعریف شده برای آن
  - IV- ناهمخوانی نوع یک پارامتر در فراخوانی یک تابع، با نوع تعریف شده آن در تعریف تابع
- (۱) I و III      (۲) II و IV      (۳) I ، II ، III و IV      (۴) هیچ کدام

۹۳- استفاده از = به جای == در شرط‌های زبان C ، چه نوع خطایی محسوب می‌شود؟  
 (۱) ساختاری (Syntactic)      (۲) معنایی (Semantic)      (۳) منطقی (Logical)      (۴) لغوی (Lenical)

۹۴- آرایه A به شکل زیر تعریف و اعلان شده است:

**A : Array[-۳..۳, ۴..۱۰] of integer**

فرض کنید عناصر آرایه به شکل سطری از آدرس ۲۰۰۰ حافظه اصلی به بعد ذخیره می‌شوند و هر عدد صحیح یک خانه حافظه اشغال می‌کند. مبدأ مجازی (Virtual Origin) این آرایه چیست؟

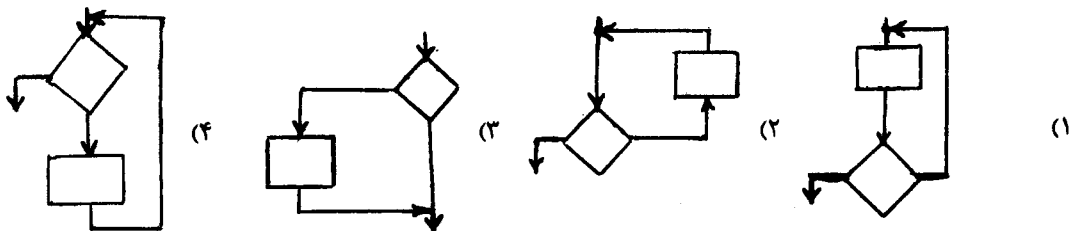
- (۱) ۱۹۷۵
- (۲) ۲۰۱۷
- (۳) ۲۰۰۰
- (۴) ۲۰۲۵

۹۵- کدام زبان‌ها مکانیزم جمع‌آوری خودکار زباله‌ها را پشتیبانی می‌کنند؟

**LISP-IV , Prolog-III , ML-II , Ada-I**

- (۱) IV , I
- (۲) IV , III , II
- (۳) هر چهار زبان
- (۴) هیچ کدام

۹۶- کدام یک از ساختارهای زیر، معادل ساختار دستور Repeat-Until است؟



۹۷) فرض کنید که میانگین زمان اجرای یک الگوریتم تصادفی  $A$  بر روی ورودی‌های به اندازه‌ی  $n$  برابر  $\Theta(n^2)$  است.

چندتا از گزاره‌های زیر درست هستند؟

- ممکن است داده‌ی ورودی‌ای باشد که  $A$  آنرا در زمان  $\Omega(n^{3n})$  حل کند.
- ممکن است داده‌ی ورودی‌ای باشد که  $A$  آنرا در زمان  $\Theta(n)$  حل کند.
- ممکن است داده‌ی ورودی‌ای باشد که  $A$  آنرا در زمان  $O(1)$  حل کند.

۳ (۴)

۲ (۳)

۱ (۲)

۰ (۱)

۹۸) الگوریتم زیر آرایه‌ی  $n$  تایی  $A$  حاوی اعداد غیر تکراری ۱ تا  $n$  را به درستی مرتب می‌کند.

INDEXSORT( $A$ )

```

1 for  $i \leftarrow 1$  to  $n$ 
2   do while  $A[i] \neq i$ 
3     do SWAP ( $A[i], A[A[i]]$ )

```

در مورد تعداد جابه‌جایی (Swap) های این الگوریتم کدام‌یک از گزینه‌های زیر درست است؟

- ۱) آرایه‌ای وجود دارد که الگوریتم دقیقاً  $n - 1$  جابه‌جایی انجام دهد.
- ۲) تعداد جابه‌جایی‌ها همیشه برابر تعداد عناصری است که سر جای خودشان نیستند.
- ۳) این الگوریتم برای هر ورودی به تعداد  $n - 1$  جابه‌جایی انجام می‌دهد.
- ۴) بیش‌ترین تعداد جابه‌جایی وقتی است که  $A$  برعکس مرتب شده باشد.

۹۹) گراف بدون جهت و وزن‌دار  $G = (V, E)$  با وزن‌های مثبت و منفی داده شده است. فرض کنید که  $w_{min}$  و

$w_{max}$  به ترتیب وزن‌های سبک‌ترین و سنگین‌ترین یال‌های این گراف است.

چند تا از گزاره‌های زیر در مورد درخت فراگیر کمینه‌ی  $G$  (MST) درست هستند؟

- اگر  $G$  بیش‌تر از  $|V| - 1$  یال داشته باشد، و تنها یک یال  $e$  با وزن  $w_{max}$  وجود داشته باشد، در آن صورت  $e$  نمی‌تواند در هیچ MST از  $G$  باشد.
- یالی با وزن  $w_{min}$  حتماً در MST هست.
- اگر  $G$  یک دور (cycle) داشته باشد که این دور حاوی تنها یک یال  $e$  با وزن  $w_{min}$  است،  $e$  حتماً یالی از هر MST است.

۳ (۴)

۲ (۳)

۱ (۲)

۰ (۱)

۱۰۰) یک درخت دودویی متوازن  $T$  با  $n$  گره داده شده است که به هر گره آن یک عدد صحیح به‌عنوان وزن آن گره

نسبت داده‌ایم. طول وزن‌دار یک مسیر در  $T$ ، مجموع وزن گره‌های آن مسیر است. بیش‌ترین طول وزن‌دار یک

مسیر در  $T$  را با چه مرتبه‌ای می‌توان به‌دست آورد.

$O(n \lg^2 n)$  (۴)

$O(n \lg n)$  (۳)

$O(n)$  (۲)

$O(\lg n)$  (۱)

۱۰۱) ۳۱ جعبه در کنار هم هستند. هر جعبه‌ای حاوی عددی است که تنها با بازکردن آن جعبه مشخص می‌شود. می‌خواهیم جعبه‌ای را بیابیم که عدد داخل آن از هر دو عدد جعبه‌های مجاورش (یا تنها جعبه‌ی مجاور، اگر جعبه‌ی مورد نظر در انتها یا ابتدا قرار گرفته باشد) ناکوچک‌تر باشد. در بدترین حالت دست‌کم چند جعبه باید باز شود تا چنین جعبه‌ای یافت شود؟

۱۲ (۴)

۱۱ (۳)

۳۱ (۲)

۳۰ (۱)

\* با توجه به بانک زیر، به ۲ سؤال ۱۰۲ و ۱۰۳ پاسخ دهید.

Person (pID, pName, sex, DoB)

اطلاعات فرد شامل شناسه pID، نام pName، جنسیت sex و تاریخ تولد DoB

Rel (pID1, pID2, pRel)

اطلاعات ارتباط بین افراد - رابطه pRel بین شخص pID1 و pID2 برقرار است.

به طور خاص،  $pRel = 1$  به این معنی است که شخص با شناسه pID2 پدر شخص با شناسه pID1 است.

۱۰۲- دستور SQL زیر تاریخ تولد کدام گزینه را می‌دهد؟

```
SELECT DoB
FROM Person
WHERE pName = x
AND pID IN (SELECT pID2
             FROM Rel
             WHERE pRel = 1)
```

(۲) فرزند X

(۱) پدر X

(۴) X در صورتی فرزند داشته باشد.

(۳) X در صورتی که پدر داشته باشد.

۱۰۳- عبارت جبر رابطه‌ای زیر معادل کدام گزینه است؟

$(\pi_{pID1}(\sigma_{pRel=1}(Rel))) \bowtie_{pID1=pID} Person$

(۲) پدران

(۱) فرزندان

(۴) پدران کسانی که فرزند دارند.

(۳) فرزندان کسانی که پدر دارند.

۱۰۴- رابطه  $R(A,B,C,D,E)$  و وابستگی‌های تابعی (Functional Dependencies) زیر را در نظر بگیرید. کدام یک از این وابستگی‌های تابعی حتماً در R برقرار است؟

$AD \rightarrow E$

$C \rightarrow AB$

$B \rightarrow D$

$C \rightarrow E$  (۴)

$D \rightarrow E$  (۳)

$B \rightarrow A$  (۲)

$A \rightarrow E$  (۱)

۱۰۵- رابطه  $R(A,B,C,D)$  و مجموعه وابستگی‌های تابعی  $F$  (Functional Dependencies) را در نظر بگیرید.

$$F = \{A \rightarrow B, B \rightarrow C, C \rightarrow D\}$$

کدام یک از این تجزیه‌ها بدون گمشدگی (Lossless) نیست؟

یادآوری: رابطه  $R$  و مجموعه وابستگی‌های تابعی  $F$  روی  $R$  را در نظر بگیرید. تجزیه  $R$  به دو رابطه با مجموعه صفات  $X$  و  $Y$  یک تجزیه « بدون گمشدگی » با توجه به  $F$  است اگر به ازای هر نمونه  $r$  از  $R$  که با  $F$  مطابقت دارد،  $\pi_X(r) \bowtie \pi_Y(r) = r$ . به عبارت دیگر رابطه اولیه را می‌توان از روی رابطه‌های جدید به دست آورد.

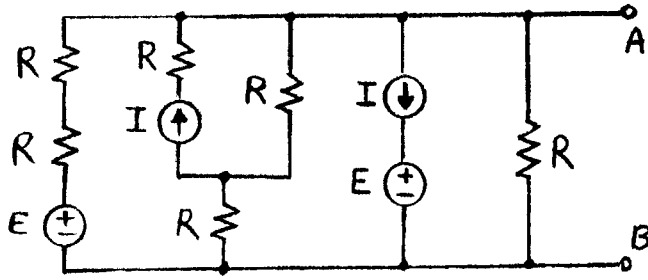
$$R_1(A, B), R_2(B, C), R_3(C, D) \quad (۱)$$

$$R_1(A, B), R_2(A, C), R_3(A, D) \quad (۲)$$

$$R_1(A, D), R_2(B, D), R_3(C, D) \quad (۳)$$

(۴) هیچ کدام - به عبارت دیگر همه این تجزیه‌ها بدون گمشدگی هستند.

۱۰۶- مدار معادل تونن متناظر با مدار شکل زیر از دو سر A و B کدام است؟



$$V_{th} = \frac{E + RI}{2}, R_{th} = \frac{6}{13}R \quad (1)$$

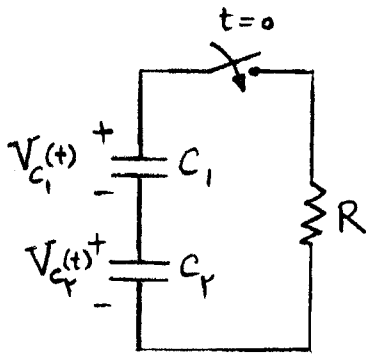
$$V_{th} = E, R_{th} = 2R \quad (2)$$

$$V_{th} = \frac{E + RI}{4}, R_{th} = R \quad (3)$$

$$V_{th} = \frac{E - RI}{4}, R_{th} = \frac{R}{2} \quad (4)$$

۱۰۷- در مدار شکل مقابل کلید در لحظه  $t = 0$  بسته می‌شود. با در نظر گرفتن ولتاژ اولیه خازن‌ها:

$$V_{C_1}(0) = V_1, V_{C_2}(0) = V_2$$



پس از مدت زمان طولانی، ولتاژ خازن  $C_1$ ، کدام است؟

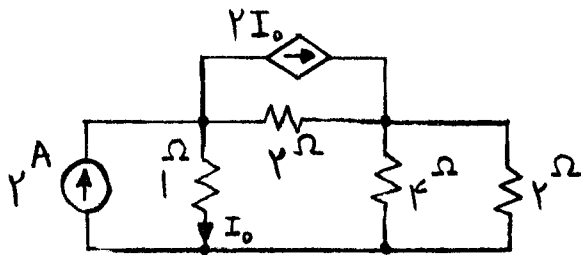
$$V_{C_1}(\infty) = 0 \quad (1)$$

$$V_{C_1}(\infty) = \frac{V_1 + V_2}{2} \quad (2)$$

$$V_{C_1}(\infty) = V_1 - \frac{C_2}{C_1 + C_2} \cdot (V_1 + V_2) \quad (3)$$

(4) ولتاژ خازن به حالت پایدار نمی‌رسد.

۱۰۸- در مدار شکل زیر توان مصرفی منبع جریان وابسته، چند وات است؟



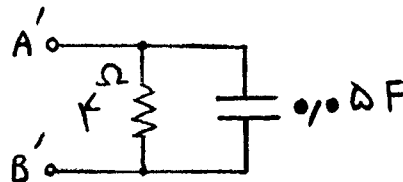
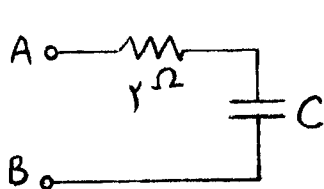
$$-1,28 \quad (1)$$

$$+1,28 \quad (2)$$

$$+0,64 \quad (3)$$

$$-0,64 \quad (4)$$

۱۰۹- در صورتی که در یک فرکانس معین دو مدار شکل مقابل معادل باشند، مقدار C چند فاراد است؟



$$0,025 \quad (1)$$

$$0,2 \quad (2)$$

$$0,1 \quad (3)$$

$$0,05 \quad (4)$$

۱۱۰) برای مرتب‌سازی آرایه‌ی  $n$  عضوی  $A$  تنها مجاز به استفاده از رویه‌ی  $\text{SQRTSORT}(k)$  برای  $0 \leq k \leq n - \sqrt{n}$  هستیم. این رویه زیرآرایه‌ی  $A[k+1..k+\sqrt{n}]$  را به صورت درجا مرتب می‌کند. در بدترین حالت با چند بار فراخوانی  $\text{SQRTSORT}$  می‌توان  $A$  را مرتب کرد؟

(۱)  $\Theta(n)$       (۲)  $\Theta(1)$       (۳)  $\Theta(\sqrt{n})$       (۴)  $\Theta(\sqrt{n} \lg n)$

۱۱۱) درستی دو گزاره‌ی زیر را مشخص کنید.

الف) در گراف بدون جهت  $G = (V, E)$  با وزن‌های مثبت و منفی (ولی بدون دور منفی)، یال  $e = (u, v) \in E$  در درخت فراگیر کمینه است اگر و فقط اگر دو رأس  $x, y \in V$  باشند که کوتاه‌ترین مسیر از  $x$  به  $y$  در  $G$  از یال  $e$  عبور کند.

ب) اگر وزن‌های یال‌های گراف نامساوی باشند، درخت فراگیر کمینه یکتا (unique) است.

(۱) الف: نادرست، ب: نادرست      (۲) الف: درست، ب: نادرست

(۳) الف: نادرست، ب: درست      (۴) الف: درست، ب: درست

۱۱۲)  $n$  نقطه در صفحه‌ی مختصات دو بعدی داده شده است. می‌خواهیم  $k$  نزدیک‌ترین نقطه به مرکز مختصات را به ترتیب فاصله‌هاشان به دست آوریم. بهترین الگوریتم برای این کار از چه مرتبه‌ای است.

(۱)  $O(n)$       (۲)  $O(n \lg n)$       (۳)  $O(n + k \lg k)$       (۴)  $O(n + k \lg n)$

۱۱۳) چند تا از گزاره‌های زیر درست هستند؟

- درختی وجود دارد که تعداد گره‌های با درجه‌ی فرد آن فرد است.
- ۶ عنصر را می‌توان با ۹ مقایسه مرتب کرد.
- کوتاه‌ترین مسیر بین دو رأس در گراف جهت‌دار بدون دور و وزن‌دار (با وزن‌های مثبت یا منفی)  $G = (E, V)$  را می‌توان در  $O(|V| + |E|)$  به دست آورد.

(۱) ۰      (۲) ۱      (۳) ۲      (۴) ۳

۱۱۴) آرایه‌ی  $A$  حاوی  $n$  بیت است. فرض کنید که  $A$  یکی از دو گونه‌ی زیر است: گونه‌ی ۱: نیمی از درایه‌های  $A$  حاوی بیت صفر و نیم دیگر حاوی بیت ۱ (بدون ترتیب خاصی) است. گونه‌ی ۲:  $A$  در مجموع  $2n/3$  صفر و  $1n/3$  دارد.

به شما یک آرایه‌ی  $A$  داده شده است که با احتمال یکسان یا از گونه‌ی ۱ است یا ۲. در بدترین حالت دست‌کم چند تا از درایه‌های  $A$  را باید بررسی کنید تا گونه‌ی آن را با اطمینان تشخیص دهید؟

(۱)  $2n/3$       (۲)  $2n/3 + 1$       (۳)  $5n/6$       (۴)  $5n/6 + 1$

۱۱۵) آرایه‌ی  $A$  از اعداد حقیقی (مثبت یا منفی) داده شده است می‌خواهیم اندیس‌های  $i$  و  $j$  را به دست آوریم که مقدار  $\sum_{k=i}^j A[k]$  کم‌ترین اختلاف را با صفر داشته باشد. یک الگوریتم کارا برای حل این مسئله از چه مرتبه‌ای است؟

(۱)  $\Theta(n \lg n)$       (۲)  $\Theta(n \lg^2 n)$       (۳)  $\Theta(n)$       (۴)  $\Theta(n^2)$

۱۱۶- جملات منطق گزاره ای (Propositional Logic)  $\alpha$  ،  $\beta$  و  $\gamma$  را در نظر بگیرید. کدام یک از موارد زیر نادرست است؟

(۱) اگر رابطه استلزام (Entailment)  $\alpha \vee \beta = \gamma$  برقرار باشد، آنگاه هر دو رابطه  $\alpha = \gamma$  و  $\beta = \gamma$  برقرار است.

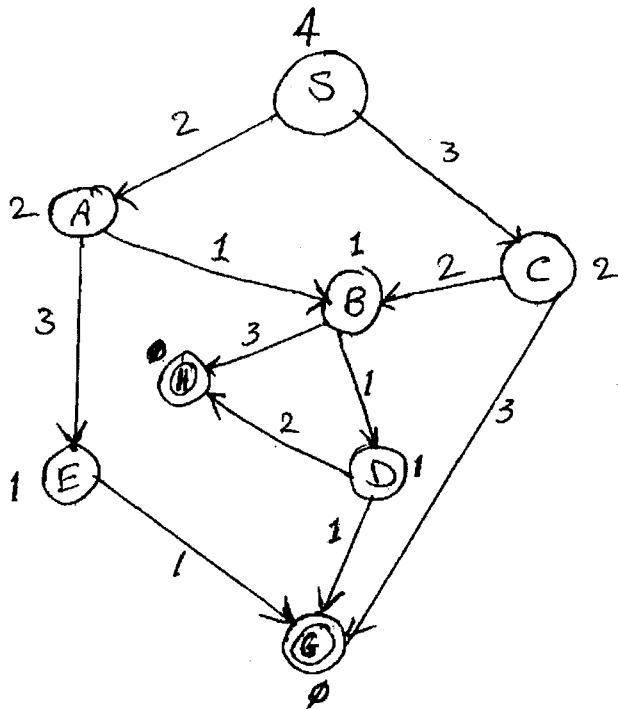
(۲) اگر روابط  $\alpha = \gamma$  و  $\beta = \gamma$  برقرار باشند، آنگاه رابطه  $\alpha \vee \beta = \gamma$  برقرار است.

(۳) اگر حداقل یکی از روابط  $\alpha = \gamma$  و  $\beta = \gamma$  برقرار باشد، آنگاه رابطه  $\alpha \wedge \beta = \gamma$  برقرار است.

(۴) اگر رابطه  $\alpha \wedge \beta = \gamma$  برقرار باشد، آنگاه حداقل یکی از روابط  $\alpha = \gamma$  و  $\beta = \gamma$  برقرار است.

۱۱۷- در گراف زیر، H و G گره‌های هدف و S گره شروع است. کدام یک از موارد زیر به ترتیب از چپ به راست، گره‌های

ملاقات شده توسط جستجوی  $A^*$  را نشان می‌دهد؟ هزینه هر انتقال از یک گره به گره دیگر روی یال واصل و هزینه تخمینی هر گره تا هدف در کنار آن گره نوشته شده است. در شرایط مساوی به گره‌ای که زودتر تولید شده است، اولویت دهید.



SABCDG (۱)

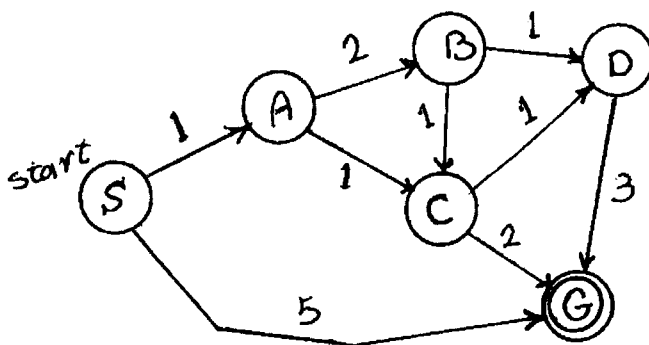
SACBDH (۲)

SABDH (۳)

SABDG (۴)

۱۱۸- در گراف جستجوی زیر، S گره شروع و G گره هدف است. پیمایش گره‌ها در شرایط مساوی بر اساس ترتیب الفبا صورت

می‌گیرد. بر اساس دو تابع هیوریستیک نشان داده شده در جدول زیر، کدام گزاره صحیح است؟



گره	$h_1$	$h_2$
S	۳	۴
A	۳	۲
B	۴	۳
C	۲	۱
D	۳	۱
G	۰	۰

(۱) هر دو تابع هم admissible و هم consistent هستند.

(۲) هر دو تابع admissible هستند. اما فقط  $h_1$  consistent است.

(۳) هیچ یک از دو تابع admissible نیست. اما فقط  $h_2$  consistent است.

(۴) هیچ یک از دو تابع consistent نیست. اما فقط  $h_2$  admissible است.

۱۱۹- پایگاه دانش زیر مفروض است. کدام یک از گزینه‌های زیر با استفاده از روش رزولوشن (Resolution) از این پایگاه دانش قابل استنتاج است؟

P  
 $V \vee T$   
 $\neg P \vee U$   
 $R \vee \neg Q$   
 $V \Rightarrow W$   
 $P \Rightarrow Q$   
 $S \Rightarrow (U \vee T)$   
 $(P \wedge R) \Rightarrow S$

T (۴)

V (۳)

W (۲)

S (۱)

۱۲۰- اگر گزاره P، گزاره Q را نتیجه دهد (یعنی  $P \Rightarrow Q$  صحیح باشد)، گزاره Q از گزاره P ضعیف‌تر محسوب می‌شود. حال کدام یک از عبارات زیر، ضعیف‌تر از بقیه محسوب می‌شود؟ f1 یک تابع اسکولم (Skolem function) و f2 یک ثابت اسکولم (Skolem constant) است.

$$\forall x P(x, f1(x)) \quad (۲)$$

$$\exists y \forall x P(x, y) \quad (۱)$$

$$\forall x \exists y P(x, y) \quad (۴)$$

$$\forall x P(x, f2) \quad (۳)$$

۱۲۱- کدام یک از موارد زیر نمایش جمله «علی فقط دو برادر دارد که فقط یکی از آنها از او بزرگتر است» در منطق مرتبه اول (First order logic) است؟  $b(x,y)$  یعنی y برادر x است،  $g(x,y)$  یعنی x از y بزرگتر است و A معرف علی است.

$$\exists_{x,y} (x \neq y \wedge b(A, x) \wedge b(A, y) \wedge \forall_z (b(A, z) \Rightarrow (z = x \vee z = y)) \wedge (g(A, x) \wedge g(y, A))) \quad (۱)$$

$$\exists_{x,y} ((x \neq y \wedge b(A, x) \wedge b(A, y)) \Rightarrow \forall_z (b(A, z) \wedge (z = x \vee z = y)) \wedge (g(A, x) \wedge g(y, A))) \quad (۲)$$

$$\exists_{x,y} (x \neq y \wedge b(A, x) \wedge b(A, y) \wedge g(A, x) \wedge g(y, A) \wedge \forall_z (b(A, z) \wedge (z = x \vee z = y))) \quad (۳)$$

$$\exists_{x,y} ((x \neq y \wedge b(A, x) \wedge b(A, y) \wedge g(A, x) \wedge g(y, A)) \Rightarrow \forall_z (b(A, z) \Rightarrow (z = x \vee z = y))) \quad (۴)$$



## مشاهده کلید سوالات آزمون کارشناسی ارشد سال 1392

## کلید سوالات آزمون کارشناسی ارشد سال 1392

کد رشته امتحانی		نام رشته امتحانی		نوع دفترچه		شماره پاسخنامه		گروه امتحانی	
1277		مجموعه مهندسی کامپیوتر		B		1		فنی و مهندسی	

شماره سوال	گزینه صحیح	شماره سوال	گزینه صحیح	شماره سوال	گزینه صحیح	شماره سوال	گزینه صحیح	شماره سوال	گزینه صحیح
1	2	31	1	61	2	91	2	121	1
2	1	32	2	62	2	92	4		
3	4	33	4	63	1	93	3		
4	3	34	3	64	1	94	2		
5	1	35	4	65	4	95	2		
6	3	36	2	66	2	96	1		
7	4	37	1	67	4	97	4		
8	2	38	3	68	2	98	1		
9	3	39	1	69	4	99	2		
10	1	40	1	70	4	100	2		
11	1	41	4	71	2	101	3		
12	4	42	2	72	1	102	4		
13	2	43	1	73	3	103	1		
14	3	44	4	74	1	104	4		
15	1	45	3	75	2	105	3		
16	2	46	4	76	3	106	4		
17	3	47	3	77	4	107	3		
18	1	48	1	78	3	108	1		
19	2	49	2	79	2	109	3		
20	1	50	3	80	4	110	1		
21	1	51	4	81	2	111	3		
22	4	52	1	82	3	112	3		
23	1	53	4	83	3	113	2		
24	1	54	1	84	2	114	4		
25	2	55	3	85	3	115	1		
26	4	56	1	86	1	116	4		
27	2	57	3	87	4	117	1		
28	2	58	1	88	2	118	4		
29	1	59	3	89	2	119	1		
30	4	60	3	90	1	120	4		

خروج