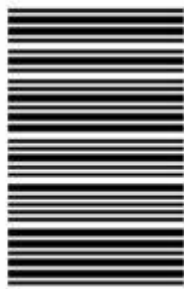


320

A

نام:
نام خانوادگی:
محل امضا:



320A

دفترچه شماره (۱)

صبح جمعه

۹۵/۰۲/۱۷



جمهوری اسلامی ایران
وزارت علوم، تحقیقات و فناوری
سازمان سنجش آموزش کشور

«اگر دانشگاه اصلاح شود مملکت اصلاح می‌شود.»

امام خمینی (ره)

آزمون ورودی دوره‌های کارشناسی ارشد ناپیوسته داخل - سال ۱۳۹۵

مهندسی کامپیوتر - کد ۱۲۷۷

مدت پاسخگویی: ۱۴۰ دقیقه

تعداد سؤال: ۷۳

عنوان مواد امتحانی، تعداد و شماره سؤالات

ردیف	مواد امتحانی	تعداد سؤال	از شماره	تا شماره
۱	زبان عمومی و تخصصی (انگلیسی)	۳۰	۱	۳۰
۲	ریاضیات (ریاضیات مهندسی، آمار و احتمالات، محاسبات عددی، ساختمان‌های گسسته)	۱۶	۳۱	۴۶
۳	دروس تخصصی مشترک (ساختمان داده‌ها، نظریه زبان‌ها و ماشین‌ها، مدارهای منطقی، معماری کامپیوتر، سیستم‌عامل)	۲۷	۴۷	۷۳

این آزمون نمره منفی دارد.

استفاده از ماشین حساب مجاز نیست.

حق چاپ، تکثیر و انتشار سؤالات به هر روش (الکترونیکی و ...) پس از برگزاری آزمون، برای تمامی اشخاص حقیقی و حقوقی تنها با مجوز این سازمان مجاز می‌باشد و با متخلفین برابر مقررات رفتار می‌شود.

زبان عمومی و تخصصی (انگلیسی):

PART A: Vocabulary

Directions: Choose the word or phrase (1), (2), (3), or (4) that best completes the blank. Then mark the correct choice on your answer sheet.

- 1- That ----- car has none of the features, like power windows and steering, that make modern cars so great.
1) antiquated 2) superficial 3) aesthetic 4) hazardous
- 2- With several agencies regulating the reports, it was difficult for the accused to argue against its -----.
1) infamy 2) relevance 3) veracity 4) anticipation
- 3- Since Jack did not want a speeding ticket, he tried to ----- the police officer by giving her a compliment.
1) convict 2) appease 3) reinforce 4) escape
- 4- Trudy studied harder, but there was only ----- improvement in her grades, so she agreed to get a tutor.
1) marginal 2) commonplace 3) monotonous 4) unbearable
- 5- Living apes—chimpanzees, gorillas, orangutans, gibbons and siamangs—and humans share a constellation of ----- that set them apart from other primates.
1) demands 2) certainties 3) disciplines 4) traits
- 6- Have you ever noticed how a coin at the bottom of a swimming pool seems to wobble? This occurs because the water in the pool bends the path of light ----- from the coin.
1) generated 2) recognized 3) reflected 4) differentiated
- 7- Publicly available Web services (e.g. Google, InfoSeek, Northernlight and AltaVista) ----- various techniques to speed up and refine their searches.
1) specify 2) capture 3) determine 4) employ
- 8- Owing to the protests of the Dominicans and other regulars, the book was prohibited in 1760, but the second part was issued ----- in 1768.
1) meticulously 2) superstitiously 3) profoundly 4) recklessly
- 9- While admissions offices do admit many students with similar profiles, a college is still a ----- and diverse community.
1) mundane 2) controversial 3) anonymous 4) heterogeneous
- 10- Despite the security, the thief's ability to break into the museum without being caught remains an ----- to the police.
1) infection 2) enigma 3) illusion 4) authorization

PART B: Cloze Passage

Directions: Read the following passage and decide which choice (1), (2), (3), or (4) best fits each space. Then mark the correct choice on your answer sheet.

Thunder is caused by lightning, which is essentially a stream of electrons flowing between or within clouds or between a cloud and the ground. The air surrounding the electron stream becomes (11) ----- hot—up to 50,000 degrees Fahrenheit—that it forms a resonating tube of partial vacuum (12) ----- the lightning's path. The nearby air rapidly expands and contracts, (13) ----- the column vibrate like a tubular drumhead (14) ----- a tremendous *crack*. As the vibrations gradually die out, the

sound echoes and reverberates, generating the rumbling (15) ----- thunder. We can hear the booms from great distances, 10 or more miles from the lightning that caused them.

- | | | | | |
|-----|-----------------|-------------------|------------------|------------------|
| 11- | 1) very | 2) so | 3) too | 4) enough |
| 12- | 1) surrounding | 2) surrounds | 3) that surround | 4) and surround |
| 13- | 1) that makes | 2) and making | 3) making | 4) it makes |
| 14- | 1) produces | 2) is produced by | 3) and produce | 4) and producing |
| 15- | 1) it is called | 2) is called | 3) we call | 4) which called |

PART C: Reading Comprehension:

Directions: Read the following three passages and answer the questions by choosing the best choice (1), (2), (3), or (4). Then mark the correct choice on your answer sheet.

PASSAGE 1:

It has been theorized for basically as long as the Internet has been publicly available that being online can make you seriously, clinically depressed. It's not an assertion made without evidence, as numerous surveys of infrequent-to-addicted internet users show a positive correlation between their number of web surfing hours logged and their subsequent feelings of sadness, isolation, and alienation. Some critics postulate that heavy use of the internet more than doubles a person's chance of being depressed; others say that the internet might not be depression's trigger so much as it is its refuge.

When communicating in person, the entire interaction is punctuated with non-verbal cues that can totally supersede the meaning of the words within it. Absent the conversation partner right in front of you to indicate his or her sarcasm or sincerity, you have only your own filters through which to interpret the language. It should come as no surprise that your internal filters are surprisingly dependent on your present mood; thus a semantically ambiguous phrase like "no thanks" sent after a particularly rough commute home is much more easily-absorbed as a sardonic dismissal instead of—and perhaps how it was intended—a mere polite refusal.

If the opposite happens, and you are endowed with a ton of friends on Face book or some other social media site, other studies have demonstrated that your stress levels are likely through the roof. The higher your friend count, they say, the more likely you are to be consumed with publishing bite-sized and socially acceptable aspects of your personality to the online public, which only exacerbates issues with your real-life relationships. The end result: the stress of maintaining online friends prevents you from making—and maintaining—any more real ones.

- 16- **According to the passage, on the subject of correlation between Internet use and depression:**

- 1) It is only hypothesized
- 2) There are no proof for the correlation
- 3) Internet is only a trigger for depression
- 4) There are clear evidences for the correlation

- 17- **What aspect of Internet use might contribute to depression:**
- 1) The refuge that internet provides
 - 2) The wasted time spent surfing the web
 - 3) The lack of movement while surfing the web
 - 4) The news and material provided by the internet
- 18- **According to the passage communicating with others on the Internet might be misinterpreted because:**
- 1) Your internal mood might change
 - 2) Gestures are omitted from the conversation
 - 3) Non-verbal cues play no part in an effective conversation
 - 4) Conversation does not need non-verbal cues to be understood
- 19- **A phrase like “no thanks” typed in an internet chat:**
- 1) It would be interpreted correctly as a polite refusal
 - 2) It would be interpreted correctly after a rough commute home
 - 3) Might be interpreted as a sardonic dismissal while it was not
 - 4) It would be interpreted much easier after a rough commute home.
- 20- **Which of the following is correct:**
- 1) Maintaining online friend is not a time consuming task
 - 2) Having a lot of online friends relieves your stress level
 - 3) Having a lot of online friends prevents you from making real friends
 - 4) You would gain true public acceptability by having a lot of online friends

PASSAGE 2:

The Internet, with the aid of computer hotkeys, has given its users the incredibly easy ability to jump between tasks, subjects and ideas within a matter of seconds. Because there's no wait, we make these jumps frequently—really frequently—about every two minutes. Except we never actually utilize the “multi” part—or even the “task” part of the Internet's supposed gift. Instead, we get caught in the ceaseless mental doldrums between interrupting and restarting. And so, given that clear memories of single events are unattainable on the Internet, the brain attempts to compensate for that with blurry, multiple-exposure memories of everything that happened.

Multi-tasking in this sense can reduce one's ability to pay attention at all, and in turn reduces our ability to think critically and problem solve. Studies have shown that after a while, your ability to recall memories starts to deteriorate, along with your IQ. The more one multi-tasks, the greater the cognitive damage becomes and the harder it is for you to recover. And if these habits begin in childhood, the risk of developing an attention deficiency disorder spikes, as well as many other behavior problems down the line.

- 21- **According to the passage, the multi- tasking ability of the internet:**
- 1) Has not increased the efficiency of the Internet use
 - 2) Has contributed to the focus of users on the Task part
 - 3) Has contributed to the efficiency of users due to the multi part
 - 4) Has significantly contributed to increase efficiency of the Internet use

- 22- **As a result of multi-tasking on the internet:**
- 1) Brain produces a vague picture of all the events
 - 2) Brain produces a complete picture of all the events
 - 3) Brain focuses on a single event and produces a blurry picture
 - 4) Brain compensates for the partial information and generates an accurate picture of the events
- 23- **Multi-tasking:**
- 1) Would help one's ability to understand a problem to be solved
 - 2) Would help one to solve multiple problem the same time
 - 3) Increases one's ability to focus on a problem
 - 4) Reduces one's ability of problem solving
- 24- **Multi-tasking:**
- 1) Would increase one's IQ along with memory
 - 2) Strengthen one's ability to remember things
 - 3) Weakens one's ability to remember things
 - 4) Would increase one's ability to recall memories along with your IQ
- 25- **Multi-tasking on the Internet started at childhood:**
- 1) Would not cause attention deficiency
 - 2) Is not correlated with attention deficiency disorder
 - 3) Prevents children from developing disorders down the line
 - 4) Would increase the chance of developing attention deficiency disorder

PASSAGE 3:

If you had the opportunity to live forever, would you take it? The obstacles to keeping your body alive indefinitely still seem insurmountable, but some scientists think there is another possibility opened up by digital technology: creating a digital copy of your "self" and keeping that "alive" online long after your physical body has ceased to function. In effect, the proposal is to clone a person electronically. Unlike the familiar physical clones - offspring that have identical features as their parents, but that are completely separate organisms with a separate conscious life - your electronic clone would believe itself to be you. How might this be possible? The first step would be to map the brain.

Scientists predict that within two or three decades we will have nanotransmitters that can be injected into the bloodstream. In the capillaries of the brain they would line up alongside the neurons and detect the details of the cerebral electronic activity. They would be able to transmit that information to a receiver inside a special helmet or cap, so there would be no need for any wires protruding from the scalp. As a further step, Scientists envisage the nanotransmitters being able to connect you to a world of virtual reality on the internet. With the nanotransmitters in place, by thought alone, you could log on to the internet and instead of the pictures coming up on your screen they would play inside your mind. Rather than send your friends e-mails you would agree to meet up on some virtual tropical beach.

For many this would be, quite literally, heaven. Once you upload the brain onto the internet and log on to that virtual world the body can be left to rot while your virtual self carries on its life.

26- What is the passage about?

- 1) It is about going to heaven using digital technology
- 2) It is about possibility of living for ever in digital form.
- 3) It is about simulating the heaven using digital technology
- 4) It is about how to use digital media properly in order to go to heaven

27- Is your digital clone the same as physical clone?

- 1) Yes, they are both exact copies of you
- 2) No, digital clone is a copy of your physical clone
- 3) No, digital clone and physical clone cannot co-exist
- 4) No, digital clone is a copy of yourself while a physical clone has a separate life

28- How the brain is mapped to generate a digital clone?

- 1) By transmitting all neuron activities in the brain by nanotransmitters to a special helmet
- 2) By transmitting all the neuron activities through wires protruding from the scalp
- 3) By detecting electronic activities of brain using a MRI scanner
- 4) By taking precise pictures of the brain using advanced tools

29- What kind of screen would you need to view pictures if you use your digital clone?

- 1) Any screen that used for virtual reality applications
- 2) No screen needed as the pictures come directly inside your mind
- 3) Special type of screen that is only used for virtual reality applications
- 4) Tiny screens that are implanted inside the brain by nanotransmitters

30- What happens to your digital clone after you die?

- 1) Digital clone is transported to heaven after you die
- 2) Digital clone lives as long as your physical clone lives
- 3) Digital clone continues to live in virtual world forever
- 4) Digital clone is highly dependent to your brain, so it would die if you die

ریاضیات (ریاضیات مهندسی، آمار و احتمالات، محاسبات عددی، ساختمان‌های گسسته):

۳۱- اگر به ازای $-\pi < x < \pi$ ، $x = -2 \sum_{n=1}^{\infty} \frac{(-1)^n}{n} \sin(nx)$ و $x^3 = -2 \sum_{n=1}^{\infty} \left(\frac{\pi^2}{n} - \frac{6}{n^3}\right) (-1)^n \sin(nx)$ باشد، با

استفاده از ضرب داخلی این دو تابع، حاصل $\sum_{n=1}^{\infty} \frac{1}{n^4}$ ، کدام است؟

(۱) $\frac{\pi^4}{60}$

(۲) $\frac{\pi^4}{90}$

(۳) $\frac{\pi^4}{120}$

(۴) $\frac{\pi^2}{90}$

۳۲- اگر در معادله دیفرانسیل پاره‌ای مرتبه اول $\begin{cases} xz_x + yz_y = nz \\ x > 0, y > 0 \end{cases}$ تغییر متغیرهای $\begin{cases} \xi = \frac{1}{2} \ln xy \\ \eta = \frac{1}{2} \ln \frac{x}{y} \end{cases}$ را به کار ببریم،

کدام مورد صحیح است؟

(۱) $Z_\xi = nZ$

(۲) $Z_\eta = nZ$

(۳) $Z_\xi + Z_\eta = nZ$

(۴) $Z_\xi - Z_\eta = nZ$

۳۳- به ازای کدام اعداد مختلط z ، $\overline{\cos(iz)} = \cos(iz)$ است؟

(۱) $z_k = k\pi i$

(۲) $z_k = \left(k\pi - \frac{\pi}{2}\right)i$

(۳) همه اعداد مختلط Z

(۴) فقط برای اعدادی که حقیقی باشند.

۳۴- مانده تابع $f(z) = (1 - \cos z) \sin \frac{1}{z}$ در نقطه تکین $z = 0$ کدام است؟

(۱) صفر

(۲) $-\sum_{n=2}^{\infty} \frac{1}{n}$

(۳) $-\sum_{n=2}^{\infty} \frac{1}{n!}$

(۴) $-\sum_{n=2}^{\infty} \frac{1}{n!(n+1)!}$

۳۵- در یک بازی قرار است هر بازیکن دو بار تاسی را پرتاب کند. یک بازیکن زمانی امتیاز می‌گیرد که در پرتاب دوم عدد روی تاس بیشتر از پرتاب اول باشد. احتمال نگرفتن امتیاز هر بازیکن چقدر است؟

(۱) $\frac{5}{12}$

(۲) $\frac{6}{12}$

(۳) $\frac{7}{12}$

(۴) $\frac{8}{12}$

۳۶- فرض کنید (X, Y) دارای تابع احتمال توأم به صورت زیر باشد:

	Y	1	2
X			
1		$\frac{1}{4}$	$\frac{1}{3}$
2		$\frac{1}{6}$	a

مقدار $P(X = 2 | Y = 2), P(X = 1 | Y = 1)$ به ترتیب کدام است؟

(۱) $\frac{3}{5}, \frac{3}{7}$

(۲) $\frac{3}{7}, \frac{3}{5}$

(۳) $\frac{1}{4}, a$

(۴) $a, \frac{1}{4}$

۳۷- فرض کنید ۱۶، ۸، ۴ و ۲ یافته‌های یک نمونه تصادفی از توزیعی با تابع چگالی احتمال زیر باشد. برآورد ماکزیمم درستنمایی (α, σ) کدام است؟

$$f_{\alpha, \sigma}(x) = \frac{\alpha \sigma^\alpha}{x^{\alpha+1}}, \quad x \geq \sigma, \quad \alpha > 0, \quad \sigma > 0$$

(۱) $(\frac{2}{3 \ln 2}, 2)$

(۲) $(-\frac{2}{3 \ln 2}, 16)$

(۳) $(\frac{2 \ln 2}{2}, 2)$

(۴) $(-\frac{2 \ln 2}{2}, 16)$

۳۸- فرض کنید T_1 و T_2 دو برآوردگر نارایب پارامتر θ با واریانس‌های به ترتیب ۲ و ۸ و ضریب همبستگی $\frac{1}{3} +$ باشند. اگر $T = aT_1 + bT_2$ ، که در آن a و b مقادیر ثابت و معلوم هستند، برآوردگر نارایب θ باشد، مقدار $V(T)$ کدام است؟

(۱) $a^2 + b^2 + 4ab$

(۲) $2a^2 + 8b^2 + 2ab$

(۳) $2a^2 + 6$

(۴) $6b^2 + 2$

۳۹- فرض کنید که برای دستگاه معادلات خطی $Ax = b$ ، \bar{x} یک جواب تقریبی و $x^* \neq 0$ جواب دقیق است و داریم: $\|x^* - \bar{x}\| \leq 10^{-20} + \|A\| \|A^{-1}\| 10^{-p} \|x^*\|$ ، $p > 3$ که در آن، $\|A\| \|A^{-1}\| = 10^{-4}$. در این صورت، تعداد رقم‌های قابل اعتماد در \bar{x} برای جواب دستگاه معادلات کدام است؟

(۱) صفر

(۲) یک

(۳) سه

(۴) بیست

۴۰- فرض کنید $P_1(x) = \cos^2 x$ و $P_2(x) = \sin^2 y$ و درون‌یابی داده‌های $(\frac{\pi}{4}, 1)$ و $(0, -1)$ با $P(x) = c_1 P_1(x) + c_2 P_2(x)$ مدنظر است. در این صورت، کدام مورد صحیح است؟

(۱) $c_1 = c_2 = 1$

(۲) $c_2 = 1, c_1 = -1$

(۳) $c_1 = c_2 = -1$

(۴) $c_2 = -1, c_1 = 1$

۴۱- تخمین انتگرال $\int_0^1 e^{x^2} dx$ با کدام فرمول ساده زیر خطای برشی کم‌تری دارد؟

- (۱) مستطیلی نسبت به دوزنقه‌ای
- (۲) دوزنقه‌ای نسبت به روش سیمسون
- (۳) نقطه میانی نسبت به روش سیمسون
- (۴) نقطه میانی نسبت به مستطیلی راست یا چپ

۴۲- ۴۰ مهره در اختیار داریم که ۲۰ تای آن‌ها سفید و ۲۰ تای دیگر سبز است. می‌خواهیم این مهره‌ها را بین ۴ نفر چنان توزیع کنیم که هر نفر حداقل ۲ مهره و حداکثر ۷ مهره از هر رنگ دریافت کند. اگر تعداد روش‌های ممکن برای انجام این کار n باشد، مجموع دو رقم سمت راست n چند است؟

- (۱) ۱۳ (۲) ۱۶ (۳) ۷ (۴) ۰

۴۳- اگر بدانیم «موبایل یک اسباب‌بازی است» و «اسباب‌بازی‌ها بامزه‌اند» و «برخی از اسباب‌بازی‌ها مضر هستند»، آنگاه کدام یک از گزاره‌های زیر لزوماً درست نیست؟ («برخی» به معنی وجود حداقل یکی است.)

- (۱) برخی از موبایل‌ها مضر هستند.
- (۲) تمام موبایل‌های مضر بامزه‌اند.
- (۳) برخی اسباب‌بازی‌های بامزه مضرند.
- (۴) برخی موبایل‌ها بامزه‌اند.

۴۴- کدام یک از عبارات زیر نادرست است؟

- (۱) $A - (C \cup B) = (A - B) - C$
 (۲) $A - (B \cup C) = (B - C) - A$
 (۳) $C - (B \cup A) = (C - B) - A$
 (۴) $B - (A \cup C) = (B - C) - A$

۴۵- مجموعه‌ی $M = \{2, 3, 4, \dots\}$ را در نظر بگیرید. فرض کنید مجموعه‌ی $M \times M$ به این صورت مرتب شده است که $(a, b) \leq (c, d)$ اگر و فقط اگر c بر a بخش پذیر بوده و شرط $b \leq d$ برقرار باشد. کدام گزینه درباره‌ی عضوهای مینیمال و ماکسیمال مجموعه‌ی مرتب جزئی $(M \times M, \leq)$ درست است؟ در گزاره‌های زیر p یک عدد اول دلخواه است.

- (۱) هر زوج (p, m) به ازای $m \in M$ یک عضو مینیمال است و عضو ماکسیمال وجود ندارد.
- (۲) هر زوج (p, m) به ازای $m \in M$ یک عضو مینیمال است و عضو ماکسیمال وجود دارد.
- (۳) هر زوج $(p, 2)$ یک عضو مینیمال است و عضو ماکسیمال وجود ندارد.
- (۴) هر زوج $(p, 2)$ یک عضو مینیمال است و عضو ماکسیمال وجود دارد.

۴۶- دستگاه معادلات بازگشتی زیر داده شده است.

$$\begin{cases} a_{n+1} = -2a_n - 4b_n \\ b_{n+1} = 4a_n + 6b_n \\ a_0 = 1, b_0 = 0 \end{cases}$$

حاصل عبارت $\frac{a_{20}}{a_{20} + b_{20}}$ کدام است؟

- (۱) -۳۲ (۲) -۲۶ (۳) -۱۸ (۴) -۳۹

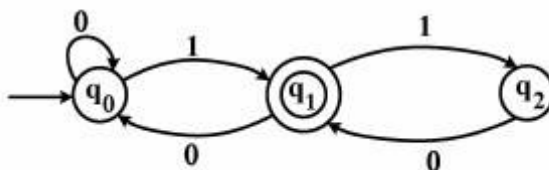
۵۳- ماشین متناهی M و زبان‌های L_1 تا L_4 به صورت زیر تعریف شده‌اند:
با توجه به این تعاریف کدام گزینه صحیح است؟

$$L_1 = L(0^*1(10)^*(00^*1(10)^*)^*)$$

$$L_2 = L((0+1(10)^*0)^*1)$$

$$L_3 = L(0^*1(10+00^*1)^*)$$

$$L_4 = L(0^*(1(10)^*0)^*1(10)^*)$$



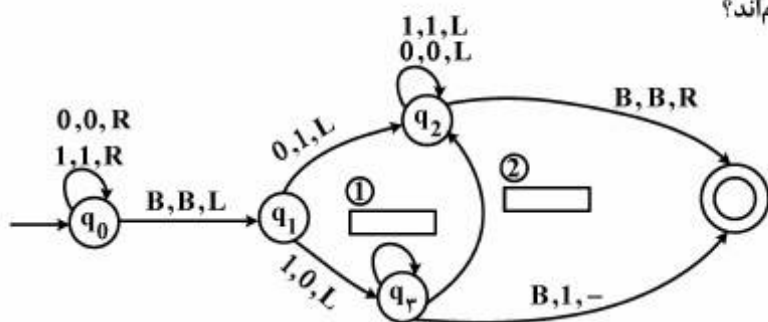
$L_3 = L(M), L_1 \neq L(M)$ (۱)

$L_2 \subset L(M), L_4 = L(M)$ (۲)

$L_1 = L(M), L_4 \subset L(M)$ (۳)

$L_3 = L_4 = L(M)$ (۴)

۵۴- ماشین تورینگی که در شکل نشان داده شده است، عدد باینری x را گرفته و $x+1$ را تولید می‌کند. برچسب مربوط به دو یال که در شکل مشخص شده کدام‌اند؟



① 1/0/L ② 0/1/L (۱)

① 0/0/L ② 0/1/R (۲)

① 1/0/R ② 1/1/L (۳)

① 0/1/L ② 1/0/L (۴)

$S \rightarrow aSa \mid B \mid \lambda$

$Ba \rightarrow bbBaa$

$aB \rightarrow aaBbbb$

$B \rightarrow \lambda$

۵۵- گرامر زیر چه زبانی را تولید می‌کند؟
* λ نمایانگر رشته به طول صفر است.
* در تمام گزینه‌ها $m, n, k, k_1, k_2 \geq 0$

$L(G) = \{a^n b^{2n} a^{2n}\} \cup \{a^{2n} b^{3n} a^n\}$ (۱)

$L(G) = \{a^n b^{2k} a^{n+k}\} \cup \{a^{n+k} b^{3k} a^n\}$ (۲)

$L(G) = \{a^n b^{2k} a^{n+2k}\} \cup \{a^{n+2k} b^{3k} a^n\}$ (۳)

$L(G) = \{a^{n+k_1} b^m a^{n+k_2} \mid 2k_1 \leq m \leq 3k_2\}$ (۴)

۵۶- کدام گزینه درست است؟

$$L_1 = \{a^n c b^n\} \cup \{a^m d b^{2m}\}$$

$$L_2 = \{a^{2n} c b^{2m+1}\} \cup \{a^{2m+1} d b^{2n}\}$$

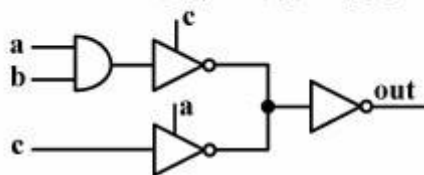
(۱) $L_1 \cap L_2$ یک زبان منظم است.

(۲) $L_1 \cap L_2$ مستقل از متن نیست.

(۳) $L_1 \cap L_2$ یک زبان مستقل از متن غیرقطعی است.

(۴) $L_1 \cap L_2$ یک زبان مستقل از متن قطعی است و منظم نیست.

۵۷- به فرض آن که هیچ گاه ورودی‌های غیرمجاز به مدار اعمال نشود خروجی شکل زیر مطابق با کدام گزینه است؟



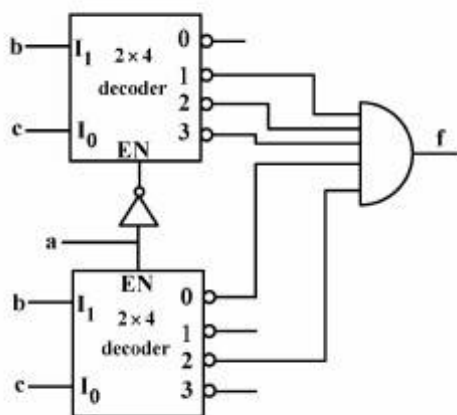
(۱) $out = 0$

(۲) $out = a.c$

(۳) $out = a.c + \bar{a}.\bar{c}$

(۴) $out = a.b.c + \bar{a}.\bar{c}$

۵۸- تابع خروجی شکل زیر برابر با کدام گزینه است؟



(۱) $f(a, b, c) = \sum m(1, 3, 4)$

(۲) $f(a, b, c) = \sum m(0, 5, 7)$

(۳) $f(a, b, c) = \sum m(1, 2, 3, 4, 6)$

(۴) $f(a, b, c) = \sum m(0, 2, 5, 6, 7)$

۵۹- معادله بولین تابع f به صورت حاصل جمع حاصل ضربها با حداقل تعداد گیت و حداقل هزاراد کدام است؟

$$f(a, b, c, d) = \sum m(0, 8, 9, 10) + \sum d(2, 6, 11, 13, 14, 15)$$

(۲) $\bar{b}.\bar{d} + a.d$

(۱) $\bar{b}.\bar{d} + a.\bar{b}$

(۴) $\bar{b}.\bar{d} + a.c + a.d$

(۳) $\bar{b}.\bar{d} + a.d + a.\bar{b}$

۶۰- به ازای توابع f_1 و f_2 که مقادیر آنها در زیر آمده، تابع f_3 برابر کدام مورد زیر است؟

$$f_1(a, b, c, d) = \sum m(0, 3, 5, 8, 11, 15)$$

$$f_2(a, b, c, d) = f_1 \oplus f_2 = \sum m(0, 1, 5, 7, 9, 11, 14)$$

(۱) $f_3(a, b, c, d) = \sum m(0, 5, 11)$

(۲) $f_3(a, b, c, d) = \sum m(1, 7, 9, 14)$

(۳) $f_3(a, b, c, d) = \sum m(1, 3, 7, 8, 9, 14, 15)$

(۴) $f_3(a, b, c, d) = \sum m(0, 2, 4, 5, 6, 10, 11, 12, 13)$

۶۱- تعداد موجد اولیه PI=(Prime Implicant) و موجد اولیه ضروری EPI=(Essential PI) تابع زیر به ترتیب از راست به چپ چه تعداد است؟

$$f(a,b,c,d) = \sum m(2,3,5,7,8,12,13) + d(0,10)$$

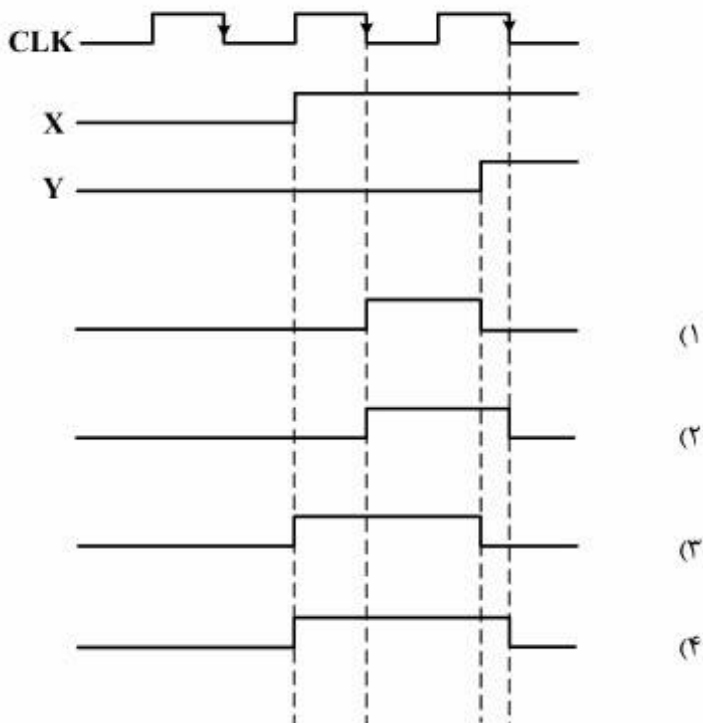
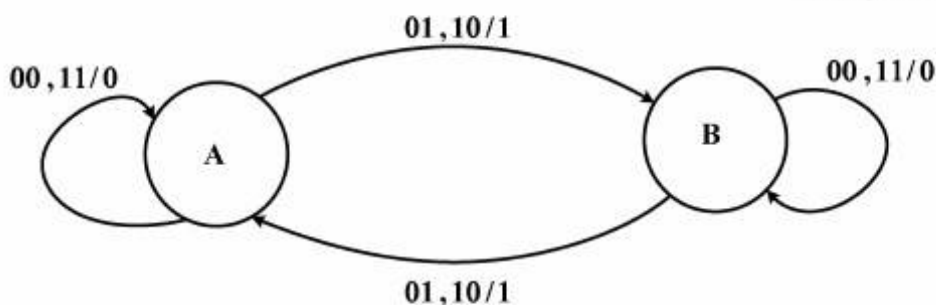
(۱) ۰,۴

(۲) ۲,۴

(۳) ۲,۶

(۴) ۰,۷

۶۲- شکل موج خروجی مداری که نمودار حالت زیر را پیاده‌سازی می‌کند، کدام است؟ ورودی‌ها به صورت XY هستند و سیستم ابتدا در حالت A قرار دارد.



۶۳- در یک سیستم دیجیتال تعداد سیگنال‌های کنترل 200 عدد است. بررسی الگوهای فعالیت سیگنال‌ها در ریز دستورات داخل ریز حافظه، نشان می‌دهد که امکان افزایش این سیگنال‌ها به یک دسته 120 تایی، یک دسته 60 تایی و یک دسته 20 تایی به طوری که در هر دسته فقط یک سیگنال فعال باشد، وجود دارد. اگر حجم ریز حافظه 1M ریز دستور باشد، با استفاده از ریز دستورات عمودی (Vertical microinstructions) چند بیت در ریز حافظه صرفه‌جویی می‌شود؟

(۱) 178M

(۲) 180M

(۳) 182M

(۴) بدون اطلاع از قالب ریز دستور قابل تعیین نیست.

۶۴- می‌خواهیم ضرب دو عدد 32 بیتی بدون علامت $70E5F867 \times EFB70E1E$ را انجام دهیم. تعداد عمل جمع مورد نیاز در صورت استفاده از روش Add&shift و روش Booth به ترتیب کدام است؟

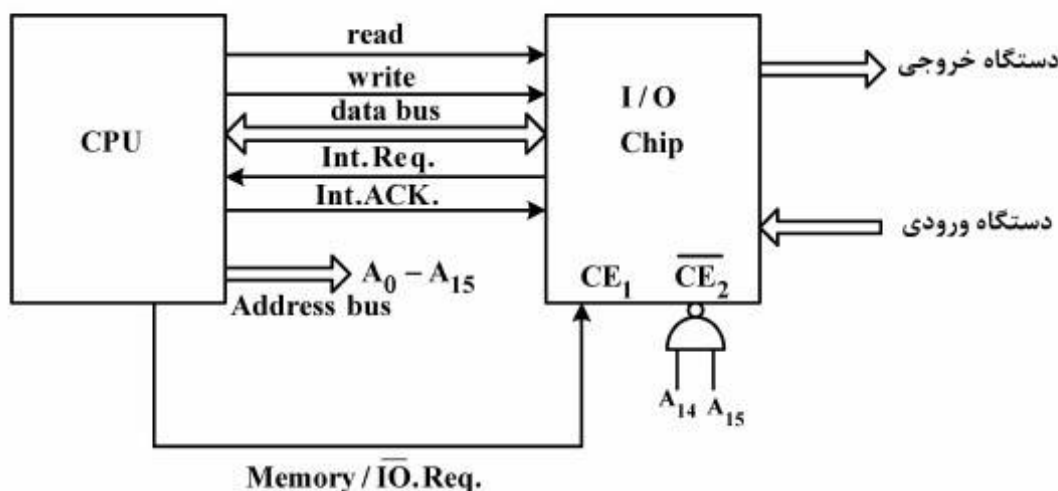
(۱) 18 و 5

(۲) 18 و 6

(۳) 20 و 5

(۴) 20 و 6

۶۵- شکل زیر نحوه ارتباط یک پردازنده به تراشه I/O جهت کنترل دو دستگاه I/O را نشان می‌دهد. کدام گزینه در خصوص این سیستم صحیح است؟



(۱) این سیستم تنها قادر به انجام عملیات I/O به روش Interrupted I/O است.

(۲) طراحی ایراد اساسی دارد که به طور همزمان سعی در استفاده از اتصال memory-mapped و روش Interrupted I/O دارد.

(۳) این سیستم از هر دو روش programmed I/O و Interrupted I/O می‌تواند استفاده کند.

(۴) این سیستم با اتصال memory mapped I/O فقط برای عملیات programmed I/O از آدرس C000H تا CFFFH مناسب است.

۶۶- دو عدد A و B در نمایش ممیز شناور با طول میدان‌های زیر و با نمای اریب‌دار (Biased) چه حاصل جمعی دارد؟

S : Sign: 1 bit

F : Fraction: 4bits

E : Exponent: 3bits

Biased = +4

S	E	F
---	---	---

$$N = (-1)^s \times 2^{E-\text{biased}} \times 1.F$$

A

0	111	0010
---	-----	------

B

0	111	0001
---	-----	------

(۱)

0	111	0011
---	-----	------

(۲)

0	111	0010
---	-----	------

(۳)

0	111	0001
---	-----	------

(۴) غیرقابل نمایش

۶۷- یک cache با ساختار 2-way set associative و با گنجایش 4 بلوک 4 کلمه‌ای موجود است. اگر اعداد زیر آدرس کلمه‌هایی باشند که به ترتیب از چپ به راست توسط پردازنده تولید می‌شوند، کدام آدرس‌ها منجر به Miss در cache می‌شوند؟
4,7,8,12,15,6,14,18,16

cache در ابتدا خالی است و انتخاب بلوک برای جایگزینی به روش LRU (Least Recently Used) انجام می‌شود.

(۱) 4, 7, 12, 6

(۲) 4, 8, 12, 18

(۳) 7, 15, 6, 14

(۴) 8, 12, 18, 16

۶۸- در یک سیستم حافظه مجازی از نوع قطعه - صفحه‌ای، بخشی از جدول TLB به صورت زیر است. اگر تعداد کلمات هر صفحه 4096 باشد، حجم حافظه مجازی چند برابر حافظه اصلی است؟

← 4 →	← 12 →	← 12 →
قطعه	صفحه	بلوک
1	2FF	012
5	02A	2A5

(۱) 16

(۲) 8

(۳) 4

(۴) 2

۶۹- سیستمی علاوه بر ذخیره جدول صفحه در حافظه اصلی، از جدول TLB نیز با نرخ miss برابر 20٪ استفاده می‌کند. اگر خواندن از حافظه اصلی 100 ms زمان بردارد و درصد کارایی سیستم در صورت استفاده نکردن از جدول TLB برابر با 80٪ باشد، خواندن از TLB چند نانو ثانیه زمان لازم دارد؟

(۱) 20

(۲) 40

(۳) 50

(۴) 60

۷۰- دیسکی با شماره‌های 0 تا 225 را در نظر بگیرید که در آن بازوی دیسک در شیار 45 باشد و در جهت افزایش شماره شیارها حرکت می‌کند. در این دیسک درخواست شیار به ترتیب از راست به چپ 40, 67, 11, 240, 87 می‌رسند. کدام گزینه دربارهٔ روش و تعداد شیارهایی که بازویی دیسک طی می‌کند به ترتیب درست است؟

(۱) c-scan, 453

(۲) c-look, 454

(۳) scan, 460

(۴) look, 470

۷۱- یک سیستم تک‌پردازنده‌ای با صف بازخورد چندسطحی (Multi-level Feedback Queue) را در نظر بگیرید. به سطح اول تکه زمانی معادل 8 میکروثانیه و به سطح دوم، تکه زمانی معادل 16 میکروثانیه داده شده است و سطح سوم به ترتیب، ورود زمان‌بندی شده است (FCFS). فرض کنید 6 کار همگی در زمان صفر وارد سطح اول سیستم شده و زمان اجرای آنها به ترتیب برابر با 4, 7, 12, 20, 25 و 30 میکروثانیه باشد. در این صورت میانگین زمان بازگشت (ATT: Average Turnaround Time) و میانگین زمان انتظار (AWT: Average Waiting Time) کارهای فوق در سیستم به ترتیب از راست به چپ کدام است؟

(۱) 41.8, 55.5

(۲) 51.8, 45.5

(۳) 51.8, 35.5

(۴) 41.8, 25.5

۷۲- سه سمافور با مقدار اولیه $x = 1$ ، $y = 5$ و $z = 10$ در نظر بگیرید. قطعه کد زیر توسط 20 پردازش (Process) اجرا می‌شود، حداکثر طول صفی که برای سمافور y تشکیل می‌شود، چقدر است؟

```

...
z.wait();
...
y.wait();
...
x.wait();
...
x.signal();
...
z.signal();
...
y.signal();

```

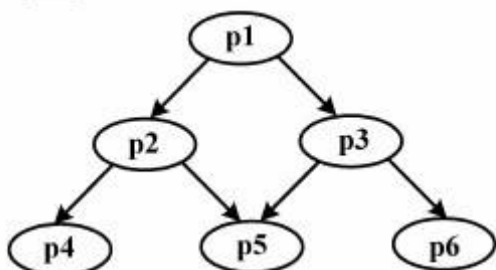
4 (۱)

5 (۲)

9 (۳)

10 (۴)

۷۳- گراف تقدم - تأخر اجرای 6 پردازش (Process)، را در شکل زیر داریم. جدول نیازمندی پردازش‌ها به منابع داده شده است. حداقل چند واحد از هر یک از منابع A و B به ترتیب از راست به چپ داشته باشیم تا بن بست پیش نیاید؟



پردازش \ منبع	p1	p2	p3	p4	p5	p6
A	4	2	3	4	3	2
B	2	3	2	1	2	1

5 , 5 (۱)

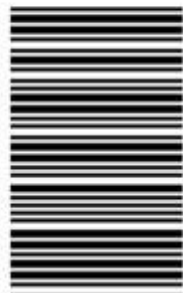
7 , 4 (۲)

9 , 5 (۳)

16 , 11 (۴)

321

A



321A

نام:
نام خانوادگی:
محل امضا:



«اگر دانشگاه اصلاح شود مملکت اصلاح می‌شود.»
امام خمینی (ره)

دفترچه شماره (۲)

صبح جمعه

۹۵/۰۲/۱۷

جمهوری اسلامی ایران
وزارت علوم، تحقیقات و فناوری
سازمان سنجش آموزش کشور

آزمون ورودی دوره‌های کارشناسی ارشد ناپوسته داخل - سال ۱۳۹۵

مهندسی کامپیوتر - کد ۱۲۷۷

مدت پاسخگویی: ۱۰۰ دقیقه

تعداد سؤال: ۴۸

عنوان مواد امتحانی، تعداد و شماره سؤالات

ردیف	مواد امتحانی	تعداد سؤال	از شماره	تا شماره
۱	دروس تخصصی معماری سیستم‌های کامپیوتری (مدارهای الکتریکی، VLSI، الکترونیک دیجیتال، انتقال داده)	۱۶	۷۴	۸۹
۲	دروس تخصصی هوش مصنوعی و رباتیکز (مدارهای الکتریکی، طراحی الگوریتم‌ها، هوش مصنوعی)	۱۶	۹۰	۱۰۵
۳	دروس تخصصی نرم‌افزار (کامپایلر، زبان‌های برنامه‌سازی، طراحی الگوریتم، پایگاه داده)	۱۶	۱۰۶	۱۲۱

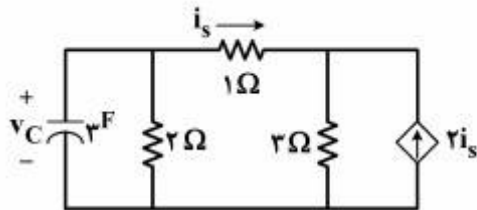
این آزمون نمره منفی دارد.

استفاده از ماشین حساب مجاز نیست.

حق چاپ، تکثیر و انتشار سؤالات به هر روش (الکترونیکی و ...) پس از برگزاری آزمون، برای تمامی اشخاص حقیقی و حقوقی تنها با مجوز این سازمان مجاز می‌باشد و با متغییرین برابر مقررات رفتار می‌شود.

دروس تخصصی معماری سیستم‌های کامپیوتری (مدارهای الکتریکی، VLSI، الکترونیک دیجیتال، انتقال داده):

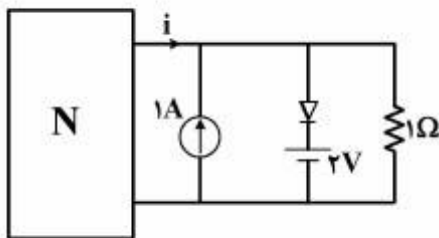
۷۴- در مدار زیر، مقدار ولتاژ خازن در لحظه صفر ۲ ولت است. چند ثانیه بعد ولتاژ خازن نصف می‌شود؟



- (۱) $5 \ln 2$
- (۲) $4 \ln 2$
- (۳) $\frac{4}{3} \ln 2$
- (۴) $\frac{3}{4} \ln 2$

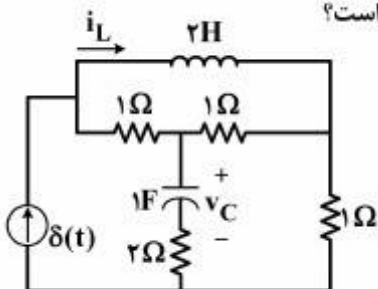
۷۵- در مدار زیر، N یک مدار خطی تغییرناپذیر با زمان است، و $i = \frac{1}{4} A$ می‌باشد. اگر جهت دیود بر عکس شود، جریان

i قرینه مقدار قبلی یعنی $-\frac{1}{4} A$ می‌شود. ولتاژ تونن مدار N چند ولت است؟ دیود ایده‌آل می‌باشد.



- (۱) $\frac{5}{4}$
- (۲) $\frac{7}{2}$
- (۳) $\frac{5}{2}$
- (۴) $\frac{7}{4}$

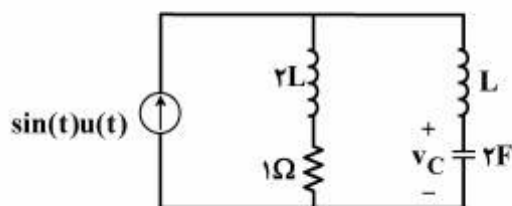
۷۶- در مدار زیر، مقدار $i_L(o^+)$ بر حسب آمپر و $v_C(o^+)$ بر حسب ولت، کدام است؟



- (۱) $v_C(o^+) = \frac{1}{2}, i_L(o^+) = \frac{1}{2}$
- (۲) $v_C(o^+) = \frac{1}{2}, i_L(o^+) = \frac{3}{4}$
- (۳) $v_C(o^+) = 1, i_L(o^+) = 0$
- (۴) $v_C(o^+) = 1, i_L(o^+) = 1$

۷۷- در مدار زیر، با فرض صفر بودن جریان اولیه هر دو سلف، مقدار ولتاژ اولیه خازن را (بر حسب ولت) به نحوی بیابید

که جریان مقاومت برای $0 \leq t$ برابر صفر باشد. در این شرایط مقدار L چند هنتری است؟



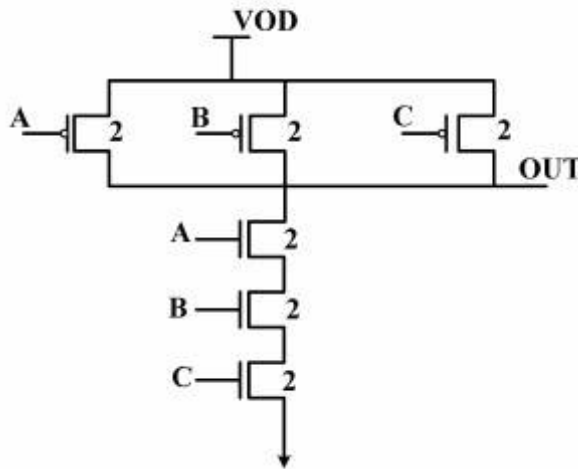
- (۱) $L = 1, v_C(o) = -\frac{1}{2}$
- (۲) $L = 1, v_C(o) = 1$
- (۳) $L = \frac{1}{2}, v_C(o) = -\frac{1}{2}$
- (۴) $L = \frac{1}{2}, v_C(o) = 1$

۷۸- در یک مدار مجتمع، حداکثر چگالی جریان قابل قبول برای خط انتقال تغذیه برابر $0.4 \frac{mA}{\mu m}$ است. فرض کنید مقدار ولتاژ منبع تغذیه ۳ ولت، فرکانس تغییرات خروجی مدار ۱۰۰MHz و بار خروجی مدار ۱۰۰PF است. حداقل پهنای قابل قبول خط تغذیه فوق چند میکرو متر μm است؟

- (۱) ۱۷
- (۲) ۲۵
- (۳) ۵۰
- (۴) ۷۵

۷۹- تأخیر نزول خروجی مدار زیر برای گذر $ABC = 110 \rightarrow 111$ نسبت به تأخیر آن برای گذر $ABC = 011 \rightarrow 111$ در کدام گزینه آمده است؟

راهنمایی: در حل اتصال ترانزیستورهای سری، خازنی معادل درین / سورس یک ترانزیستور در نظر بگیرید و از خازن بار خروجی صرفنظر نمایید. اعداد در کنار ترانزیستورها عرض آن‌ها نسبت به عرض ترانزیستور NMOS واحد می‌باشد.



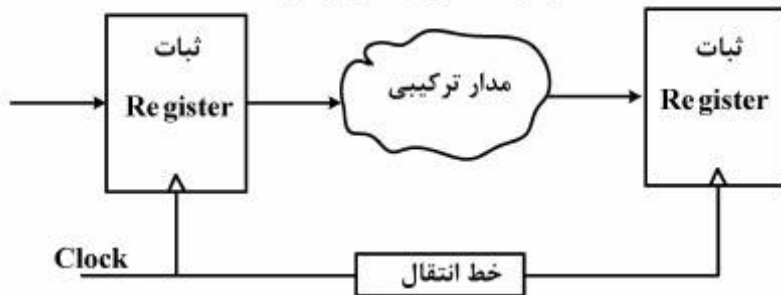
- (۱) $\frac{5}{4}$
- (۲) $\frac{15}{4}$
- (۳) $\frac{22}{4}$
- (۴) $\frac{25}{3}$

۸۰- در مدار زیر بیشینه تأخیر مدار ترکیبی چند نانو ثانیه (ns) باشد تا مدار با فرکانس ۱GHz کار کند؟

طول خط انتقال برابر ۱mm و مقاومت واحد طول $0.2 \frac{\Omega}{\mu m}$ و خازن آن $0.4 \frac{fF}{\mu m}$ می‌باشد. از خازن ورودی ثبات‌ها صرف‌نظر شود و تأخیرهای ثبات‌ها به شرح زیر است:

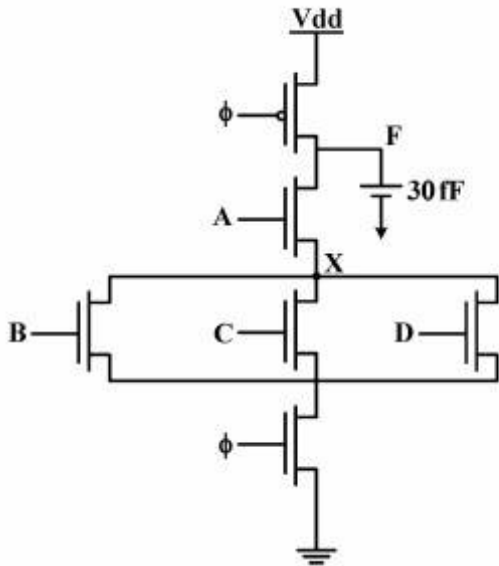
$$t_{clk-Q} = 50 \text{ PS}, t_{setup} = 30 \text{ PS}, t_{hold} = 20 \text{ PS}$$

(راهنمایی: برای خط انتقال از مدل RC ساده استفاده کنید و $Ln 2$ را یک فرض کنید.)



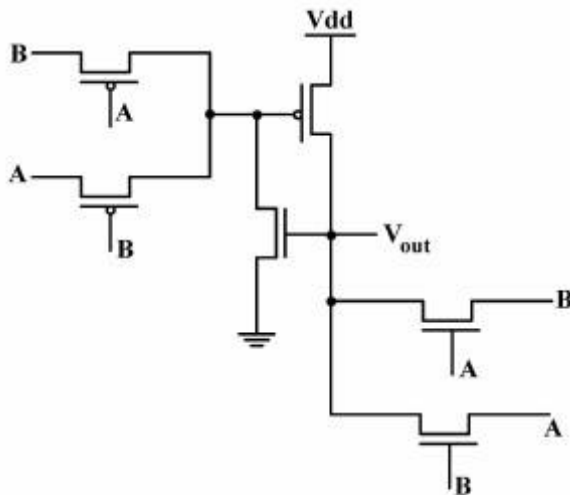
- (۱) ۰/۸۴
- (۲) ۰/۹۲
- (۳) ۰/۹۸
- (۴) ۱

۸۱- شکل زیر را در نظر بگیرید. فرض کنید که $V_{dd} = 4V$ و $|V_T| = 0.5V$ و ورودی‌های B ، C و D صفر باشد و در فاز ارزیابی قبلی نقطه X کاملاً تخلیه (دشارژ) شده است. در طول فاز پیش شارژ V_{dd} به پیش شارژ می‌شود. در طول فاز ارزیابی A از صفر به یک تغییر می‌کند. تمامی ترانزیستورها هم اندازه‌اند و از اثر بدنه صرفه‌نظر کنید. به غیر از $C_{sb} = C_{db} = 2fF$ از بقیه خازن‌ها صرف‌نظر کنید. مقدار نهایی ولتاژ بر روی گره F چند ولت است؟



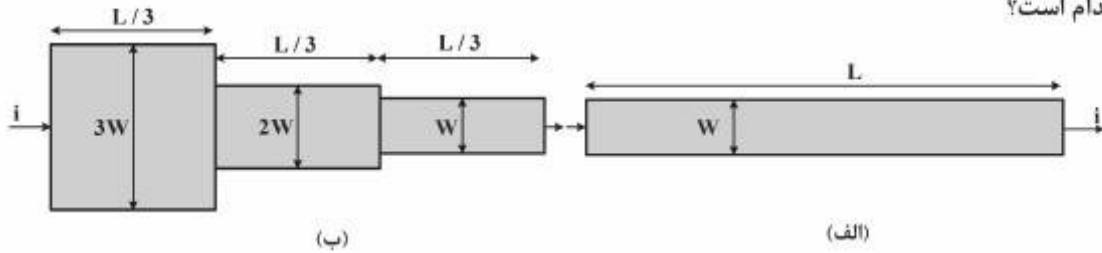
- (۱) $\frac{8}{3}$
- (۲) $\frac{20}{7}$
- (۳) $\frac{12}{4}$
- (۴) $\frac{22}{7}$

۸۲- مدار زیر چه تابع منطقی را پیاده سازی می‌کند؟



- (۱) XNOR
- (۲) XOR
- (۳) NAND
- (۴) NOR

۸۳- یک طراح مدار مجتمع برای کاهش تأخیر یک سیم به طول L و عرض w (شکل الف) تصمیم گرفته پهنای آن را به صورت پلکانی در سه قطعه طبق شکل (ب) تغییر دهد. با استفاده از مدل المور نسبت تأخیر سیم (ب) به سیم (الف) کدام است؟

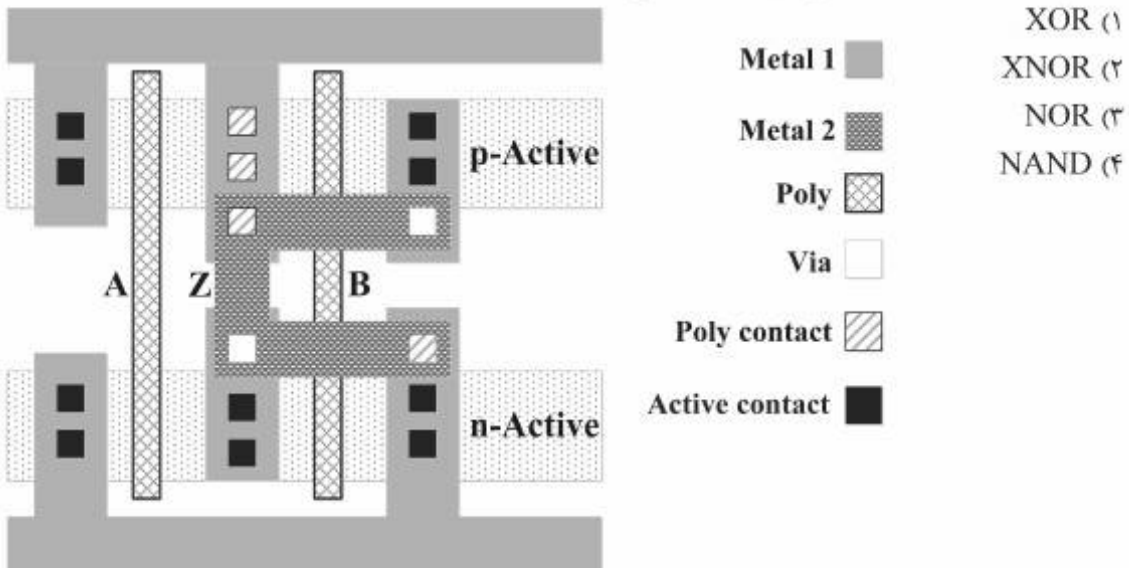


- (۱) $\frac{3}{4}$
 (۲) $\frac{2}{3}$
 (۳) $\frac{1}{2}$
 (۴) $\frac{1}{3}$

۸۴- کدام جمله در مورد ترانزیستورهای MOSFET درست است؟

- (۱) همیشه با افزایش دما میزان محرک پذیری حامل‌ها افزایش می‌یابد.
 (۲) با افزایش دما جریان روشن کاهش یافته و جریان نشستی حالت خاموش افزایش می‌یابد.
 (۳) در وضعیت اشباع، جریان درین - سورس همیشه مستقل از ولتاژ درین - سورس است.
 (۴) برای اکسیدگیت از مواد با ضریب دی‌الکتریک پایین و برای اکسید ما بین لایه‌ها از مواد با ضریب دی‌الکتریک بالا استفاده می‌کنند.

۸۵- چینش (Layout) زیر چه تابعی را پیاده‌سازی می‌کند؟



۸۶- پهنای باند یک کانال انتقال یک مگاهرتز و توان سیگنال ورودی آن ۲۰ میلی وات است. اگر نسبت سیگنال به نویز در خروجی کانال ۳۰ دسی بل باشد، میزان تلف کانال چند دسی بل است؟ چگالی توان نویز را $174 \frac{\text{dBm}}{\text{Hz}}$ در نظر بگیرید.

- (۱) ۷۱ (۲) ۸۴ (۳) ۹۷ (۴) ۱۱۴

۸۷- فرض کنید دو طرح کدگذاری NRZ (عدم بازگشت به صفر) و RZ (بازگشت به صفر) را در اختیار داشته باشیم. نرخ بیتی آن‌ها $R = 1/T$ است و دامنه پالس‌ها مقدار ثابت a فرض می‌شود. اگر بخواهیم خطای بیتی (bit error rate) در این دو طرح یکسان باشد در این صورت کدام گزینه راه حل را به درستی نشان داده است؟

- (۱) نرخ RZ بایستی ۵۰٪ از NRZ بیشتر گردد.
- (۲) دوره تناوب T در طرح RZ بایستی ۲ برابر گردد.
- (۳) دوره تناوب T در طرح NRZ بایستی ۲ برابر گردد.
- (۴) انرژی در بیت به چگالی نویز در طرح NRZ بایستی ۳ دسی بل از RZ بیشتر گردد.

۸۸- در یک مودم از تکنیک مدولاسیون QAM - ۸ استفاده می‌شود. اگر پهنای 1200Hz باشد، حداقل میزان سیگنال به نویز لازم برای آن که مودم در حداکثر نرخ داده ممکن کار کند، چند دسی بل (dB) است؟

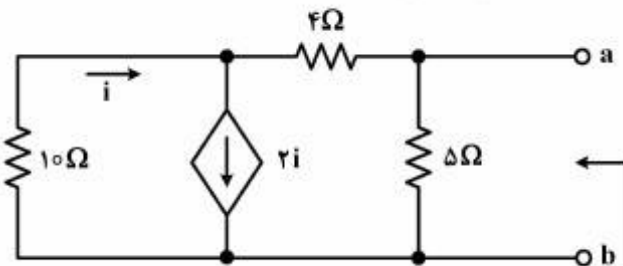
- (۱) ۲۵
- (۲) ۲۰
- (۳) ۱۸
- (۴) ۱۴

۸۹- در یک سیستم انتقال داده جهت کدگذاری اطلاعات از ترکیب کردن ۸ فاز و ۴ دامنه استفاده می‌شود. اگر پهنای باند سیستم 4KHz باشد، حداکثر نرخ باود (Baud Rate) چند نشانه بر ثانیه است؟

- (۱) ۱۲۵۰
- (۲) ۸۰۰۰
- (۳) ۱۰۰۰۰
- (۴) ۴۰۰۰۰

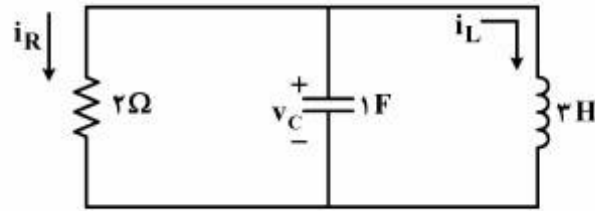
دروس تخصصی هوش مصنوعی و رباتیکز (مدارهای الکتریکی، طراحی الگوریتم‌ها، هوش مصنوعی):

۹۰- در مدار شکل زیر، مقدار مقاومت نورتن قابل مشاهده از a و b چند اهم (Ω) است؟



- (۱) ۳۰
- (۲) ۶۰
- (۳) ۹۰
- (۴) ۱۲۰

۹۱- دستگاه معادلات لازم برای یافتن i_L و v_C ، کدام است؟



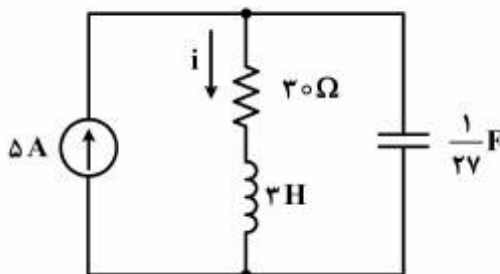
$$\begin{bmatrix} 0 & \frac{1}{3} \\ -1 & -\frac{1}{2} \end{bmatrix} \begin{bmatrix} i_L \\ v_C \end{bmatrix} = \begin{bmatrix} di_L/dt \\ dv_C/dt \end{bmatrix} \quad (2)$$

$$\begin{bmatrix} -\frac{1}{2} & \frac{1}{3} \\ -1 & 0 \end{bmatrix} \begin{bmatrix} i_L \\ v_C \end{bmatrix} = \begin{bmatrix} di_L/dt \\ dv_C/dt \end{bmatrix} \quad (1)$$

$$\begin{bmatrix} 0 & -1 \\ \frac{1}{3} & -\frac{1}{2} \end{bmatrix} \begin{bmatrix} i_L \\ v_C \end{bmatrix} = \begin{bmatrix} i_L \\ dv_C/dt \end{bmatrix} \quad (4)$$

$$\begin{bmatrix} \frac{1}{3} & -1 \\ 0 & -\frac{1}{2} \end{bmatrix} \begin{bmatrix} i_L \\ v_C \end{bmatrix} = \begin{bmatrix} di_L/dt \\ v_C \end{bmatrix} \quad (3)$$

۹۲- در مدار شکل زیر جریان i در $t > 0$ به شرط آن که مدار در $t = 0^-$ به حالت پایدار رسیده باشد، کدام است؟



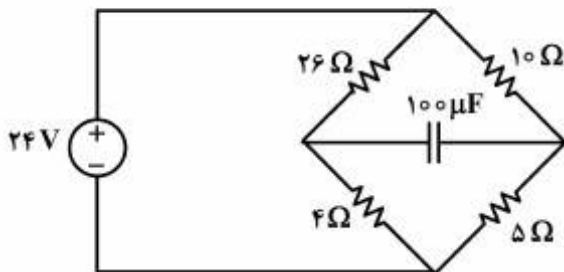
$$i = 5 + \frac{\lambda}{\Delta_0} (e^{-t} - e^{-9t}) \quad (1)$$

$$i = 5 + \frac{\lambda}{\Delta_0} (e^{-9t} - e^{-t}) \quad (2)$$

$$i = 5 + \frac{\Delta_0}{\lambda} (e^{-9t} - e^{-t}) \quad (3)$$

$$i = 5 - \frac{\Delta_0}{\lambda} (e^{-9t} - e^{-t}) \quad (4)$$

۹۳- در مدار شکل زیر، مقدار بار ذخیره شده در خازن پس از رسیدن مدار به حالت پایدار، کدام است؟



$$2/2 \mu C \quad (1)$$

$$2/01 \mu C \quad (2)$$

$$1/28 mC \quad (3)$$

$$1/12 mC \quad (4)$$

۹۴- در مسئله‌ی یافتن همه‌ی کوتاه‌ترین مسیرها بین هر دو رأس در یک گراف جهت‌دار و وزن‌دار G که وزن یال‌ها می‌تواند منفی باشد و گراف دور منفی ندارد، فرض کنید ماتریس مجاورت گراف $W = (w_{ij})$ $(n \times n)$ باشد که:

$$W[i, j] = \begin{cases} w_{ij} & \text{if } (i, j) \in E \\ \infty & \text{if } (i, j) \notin E \\ 0 & \text{if } i = j \end{cases}$$

اگر $d_{ij}^{(m)}$ وزن کوتاه‌ترین مسیر j از i که حداکثر m یال داشته باشد،

$$d_{ij}^{(0)} = \begin{cases} 0 & \text{if } i = j \\ \infty & \text{if } i \neq j \end{cases}$$

در آن صورت کدام یک از گزینه‌های زیر درست است؟

$$d_{ij}^{(m)} = \min_{i \leq k < n} \{d_{ik}^{(m-1)} + w_{kj}\} \quad (۱)$$

$$d_{ij}^{(m)} = \min_{1 \leq k \leq n} \{d_{ik}^{(m-1)} + w_{kj}\} \quad (۲)$$

$$d_{ij}^{(m)} = \min_{i \leq k \leq n} \{d_{ik}^{(m-1)} + w_{kj}\} \quad (۳)$$

$$d_{ij}^{(m)} = \min_{i \leq k < j} \{d_{ik}^{(m-1)} + w_{kj}\} \quad (۴)$$

۹۵- چند تا از گزاره‌های زیر درست است؟

(الف) در گراف جهت‌دار شبکه‌ی شار اگر هر یال را با یال بدون جهت و با همان ظرفیت تعویض کنیم، مقدار شار بیشینه تغییر نمی‌کند.

(ب) اگر ظرفیت یال‌ها متمایز باشد، شار بیشینه (نه مقدار آن) یکتا است.

(ج) مسئله‌ی یافتن کوتاه‌ترین دور فروشنده‌ی دورگرد ان‌پی است.

(۱) ۰ (۲) ۱ (۳) ۲ (۴) ۳

۹۶- یک دنباله را «آینه‌ای» می‌گوییم اگر با معکوس خودش برابر باشد. یک دنباله‌ی A به طول n داده شده است. می‌خواهیم طول بزرگ‌ترین زیردنباله‌ی آینه‌ای (نه لزوماً پیوسته‌ی) A را پیدا کنیم. کدام یک از الگوریتم‌های زیر درست کار می‌کند؟

(الف) معکوس A را محاسبه کرده و آن را A' می‌نامیم. طول بزرگ‌ترین زیردنباله‌ی مشترک A و A' را محاسبه و گزارش می‌کنیم.

(ب) دو حالت را براساس آن‌که $A[۱]$ در جواب باشد یا خیر بررسی می‌کنیم و بین این دو، طول زیردنباله‌ی بزرگ‌تر را گزارش می‌کنیم. با فرض بودن $A[۱]$ بزرگ‌ترین i که $A[i] = A[۱]$ است را پیدا می‌کنیم. به صورت بازگشتی بزرگ‌ترین زیردنباله‌ی آینه‌ای $A[۲..i-۱]$ را محاسبه می‌کنیم. با فرض نبودن $A[۱]$ بزرگ‌ترین زیردنباله‌ی آینه‌ای $A[۲..n]$ را محاسبه می‌کنیم.

(۱) الف: درست، ب: درست. (۲) الف: نادرست، ب: درست.

(۳) الف: درست، ب: نادرست. (۴) الف: نادرست، ب: نادرست.

۹۷- در چه مرتبه‌ای می‌توان «قطر» یک DAG را به دست آورد؟ قطر حداکثر طول مسیر بین دو رأس در گراف است.

(۱) $O(|V|)$ (۲) $O(|V| + |E|)$ (۳) $O(|V| \log |E|)$ (۴) $O(|V|^2)$

۹۸- دو پردازنده‌ی مشابه داریم و n عدد کار t_1 تا t_n که زمان انجام کار i ام بر روی هر کدام از این پردازنده‌ها برابر d_i است. می‌خواهیم این کارها را طوری زمان‌بندی کنیم که:

حالت (۱) متوسط زمان پاسخ کارها کمینه شود.

حالت (۲) آخرین زمانی که همه‌ی پردازنده‌ها بی‌کار می‌شوند کمینه شود.

زمان پاسخ یک کار زمانی است که آن کار از یکی از پردازنده‌ها خارج شود. وضعیت گزاره‌های زیر کدام است؟

الف) برای حالت ۱ یک الگوریتم چندجمله‌ای حریصانه وجود دارد.

ب) برای حالت ۲ یک الگوریتم چندجمله‌ای حریصانه وجود دارد.

(۱) الف: درست، ب: درست.

(۳) الف: درست، ب: نادرست.

(۲) الف: نادرست، ب: درست.

(۴) الف: نادرست، ب: نادرست.

۹۹- گراف ساده و وزن‌دار $G = (V, E)$ را در نظر بگیرید. وزن یال‌های این گراف نامنفی است و M زیردرختی فراگیر با کم‌ترین وزن در این گراف است. هم‌چنین می‌دانیم که P کوتاه‌ترین مسیر بین دو رأس u و v است. فرض کنید که به جای وزن هر یال، مجذور وزن آن را قرار می‌دهیم. مثلاً، اگر وزن یالی ۳ بود وزن آن را ۹ می‌کنیم. وضعیت گزاره‌های زیر کدام است؟

الف) در گراف جدید، همان P قبلی لزوماً کوتاه‌ترین مسیر بین u و v است.

ب) در گراف جدید، همان M قبلی لزوماً زیردرخت فراگیر با کم‌ترین وزن است.

(۱) الف: درست، ب: درست.

(۳) الف: درست، ب: نادرست.

(۲) الف: نادرست، ب: درست.

(۴) الف: نادرست، ب: نادرست.

۱۰۰- کدام یک از جملات زیر نادرست است؟

(۱) اگر $\alpha \wedge \beta \Rightarrow \gamma$ همیشه درست باشد، آنگاه حداقل یکی از دو جمله $\alpha \Rightarrow \gamma$ و $\beta \Rightarrow \gamma$ همیشه درست است.

(۲) اگر $\alpha \vee \beta \Rightarrow \gamma$ همیشه درست باشد، آنگاه هر دو جمله $\alpha \Rightarrow \gamma$ و $\beta \Rightarrow \gamma$ همیشه درست هستند.

(۳) α یک جمله همیشه درست است اگر و فقط اگر $\text{True} \Rightarrow \alpha$ همیشه درست باشد.

(۴) $\alpha \Rightarrow \beta$ همیشه درست است اگر و فقط اگر $\alpha \wedge \neg \beta$ یک جمله غیرقابل ارضا (unsatisfiable) باشد.

۱۰۱- فضای زیر را در نظر بگیرید که عامل در هر خانه می‌تواند یک از چهار حرکت رفتن به بالا، پایین، چپ یا راست را انجام دهد. خانه شماره ۱ وضعیت شروع، و خانه شماره ۱۱ وضعیت هدف است. همین‌طور، خانه ۸ مسدود است. اگر عامل حرکتی انجام دهد که به خانه ۸ یا دیوارها برخورد کند، سرجایش باقی‌می‌ماند. فرض کنید هر یک از حرکت‌ها یک واحد هزینه دارد. اگر در هر گره، از فاصله موسوم به فاصله منهتن (Manhattan) آن گره تا هدف به عنوان مقدار تابع اکتشافی (heuristic) استفاده شود، سه گره اولی که در الگوریتم A^* گسترش می‌یابند کدام است؟ اگر شرایطی پیش آمد که دو خانه برای گسترش دقیقاً وضعیت یکسانی (از نظر A^*) داشته باشند، خانه با شماره کوچکتر انتخاب می‌شود.

۳	۶	۹	۱۲
۲	۵	۸	۱۱
۱	۴	۷	۱۰

۵، ۴، ۱ (۴)

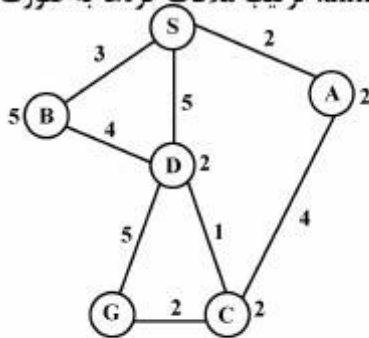
۷، ۴، ۱ (۳)

۵، ۲، ۱ (۲)

۳، ۲، ۱ (۱)

۱۰۲- گراف زیر را در نظر بگیرید:

گره S وضعیت شروع، گره G وضعیت هدف، اعداد کنار یالها هزینه عبور از آن یال و اعداد کنار گره‌ها تابع h را نشان می‌دهند. در صورت استفاده از روش جستجوی **uniform cost search**، ترتیب ملاقات گره‌ها به صورت کدامیک از موارد زیر خواهد بود؟



(۱) S, A, B, D, G

(۲) S, A, B, C, D, G

(۳) S, A, B, D, C, G

(۴) S, A, D, C, G

۱۰۳- می‌خواهیم با استفاده از روش **Resolution** نشان دهیم با فرض درستی جملات ۱ الی ۳، می‌توان نادرستی جمله ۴ را اثبات نمود. در ضمن می‌خواهیم در اولین قدم، جملات ۱ و ۲ را با هم ترکیب (resolve) کنیم. x و y متغیر و A و B مقادیر ثابت هستند. کدامیک از گزینه‌های زیر صحیح است؟

۱) $\neg M(x, y) \vee W(x)$

۲) $\neg F(x, y) \vee \neg W(x)$

۳) $M(A, B)$

۴) $F(A, C)$

(۱) بدون استانداردسازی متغیرها، نمی‌توان با ترکیب ۱ و ۲ این قضیه را اثبات نمود.

(۲) با استفاده از روش **Resolution** نمی‌توان با ترکیب ۱ و ۲ این قضیه را اثبات نمود.

(۳) بایستی ابتدا جملات ۱ و ۲ به فرم کلازال (clausal) تبدیل شوند.

(۴) بایستی نتیجه ترکیب جملات ۱ و ۲ را با نقیض جمله ۴ ترکیب نمود.

۱۰۴- در حل مسئله ارضای محدودیت زیر (مسئله چهار وزیر)، وزیر شماره یک در خانه شماره ۲ قرار داده شده و خانه‌هایی که با علامت x مشخص شده‌اند، توسط الگوریتم **Forward checking** حذف شده است. در این مرحله می‌خواهیم الگوریتم **Arc Consistency** را روی این مسئله اعمال کنیم. کدام مقدار و از دامنه کدام وزیر زودتر از سایر مقادیر حذف می‌شود؟ (یعنی مقدار n از دامنه Q_x حذف می‌شود).

	۱	۲	۳	۴
Q_1		✓		
Q_2	x	x	x	
Q_3		x		x
Q_4		x		

(۱) $(Q_3, 1)$ یا $(Q_3, 3)$

(۲) $(Q_4, 1)$ یا $(Q_3, 3)$

(۳) $(Q_4, 1)$ یا $(Q_4, 4)$

(۴) $(Q_3, 3)$ یا $(Q_4, 4)$

۱۰۵- فرض کنید در مرحله‌ای از الگوریتم برنامه‌ریزی با ترتیب جزئی (POP)، یکی از اهداف (Goals) مسئله، با یکی از کنش‌های (Actions) موجود در برنامه (مثلاً کنش A) تأمین شده است. برای کشف تهدیدهای احتمالی (possible threats) در آن مرحله از الگوریتم، چه بخش‌هایی از برنامه بایستی بررسی شود؟

فرض کنید هدف به دست آمده، پیش شرط (Precondition) کنش B است.

- ۱) لازم است همه پیوندهای سببی (Causal links) در مقابل اثرات منفی همه کنش‌ها از جمله A و B بررسی شود.
- ۲) لازم است همه پیوندهای سببی (Causal links) در مقابل اثرات منفی همه کنش‌ها به غیر از A و B بررسی شود.
- ۳) کافی است پیوند سببی (Causal link) جدید در مقابل اثرات منفی همه کنش‌ها از جمله A و B بررسی شود.
- ۴) کافی است پیوند سببی (Causal link) جدید در مقابل اثرات منفی همه کنش‌ها به غیر از A و B بررسی شود.

دروس تخصصی نرم‌افزار (کامپایلر، زبان‌های برنامه‌سازی، طراحی الگوریتم، پایگاه داده):

۱۰۶- فرض کنید در گرامری، یکی از غیر پایانه‌ها به نام A دارای فقط دو قاعده $A \rightarrow \alpha$ و $A \rightarrow \beta$ است. اگر بدانیم شرایط زیر در مورد α و β برقرار است، کدام یک از گزینه‌های داده شده در خصوص نوع این گرامر صحیح است؟

$$۱) \alpha \Rightarrow^* \varepsilon, \beta \not\Rightarrow^* \varepsilon$$

$$۲) \text{First}(\alpha) \cap \text{First}(\beta) = \emptyset$$

$$۳) \text{First}(\beta) \cap \text{Follow}(A) = \emptyset$$

$$۴) \text{First}(A) \cap \text{Follow}(A) \neq \emptyset$$

۱) گرامر LL(1) است.

۲) گرامر LL(1) نیست.

۳) نوع گرامر به سایر قواعد گرامر بستگی دارد.

۴) شرایط داده شده متناقض است.

۱۰۷- در گرامر داده شده، کدام یک از زوج پایانه‌های زیر (از چپ به راست) بیش از یک رابطه تقدم عملگر (Operator Precedence) دارند؟

$$S \rightarrow (A$$

$$S \rightarrow a$$

$$A \rightarrow Sa)$$

(, a (۱)

(, ((۲)

), a (۳)

a, a (۴)

۱۰۸- در روش تجزیه LR(1)، پارسر در واقع یک ماشین با حالات محدود معین (DFA) را پیمایش می‌کند. اگر در مرحله‌ای از تجزیه، توکن جاری b و کنش انتخاب شده، کاهش از طریق قاعده $A \rightarrow a$ باشد، در صورتی که بدانیم b عضو مجموعه Follow(A) است، کدام یک از موارد زیر در خصوص حرکت بعدی پارسر در پیمایش این DFA صحیح است؟

- (۱) از طریق لبه‌ای با برچسب A به عقب بازگشته و از طریق لبه‌ای با برچسب a به جلو می‌رود.
- (۲) از طریق لبه‌ای با برچسب A به عقب بازگشته و از طریق لبه‌ای با برچسب b به جلو می‌رود.
- (۳) از طریق لبه‌ای با برچسب a به عقب بازگشته و از طریق لبه‌ای با برچسب A به جلو می‌رود.
- (۴) از طریق لبه‌ای با برچسب b به عقب بازگشته و از طریق لبه‌ای با برچسب A به جلو می‌رود.

۱۰۹- کدام یک از دستورات زیر در زبان Lisp، ساختار لیست زیر را ایجاد می‌کند؟

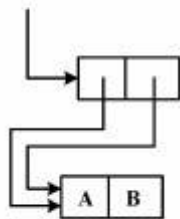
(۱) ((lambda(x y) (cons x y)) cons('A 'B) cons('A 'B))

(۲) ((lambda(x) (cons x x)) cons('A 'B))

(۳) (cons (cons 'A 'B) (cons 'A 'B))

(۴) همه موارد

۱۱۰- کد زیر که با رعایت نحو زبان C نوشته شده است را در نظر بگیرید.



```
#include <stdio.h >
```

```
int func(int a, int b){
    if(b == 0)
        return 0;
    else return func(a, b);
}
```

```
int main() {
    printf("%d \n", func(func(1,1), func(0,0)));
    return 0;
}
```

برای بار اول این کد را به زبان استاندارد C و برای بار دوم آن را به زبانی که مکانیزم «فراخوانی در هنگام نیاز» (Call-by-Need) را پشتیبانی می‌کند در نظر بگیرید. کدام گزینه صحیح است؟

(۱) در مورد اول، اجرای برنامه به دور بی‌نهایت از فراخوانی‌های بازگشتی دچار می‌شود اما در مورد دوم خروجی صفر چاپ خواهد شد.

(۲) در مورد اول، آدرس محل قرار گرفتن نتیجه تابع func به صورت int چاپ خواهد شد. اما در مورد دوم، برنامه به دور بی‌نهایت از فراخوانی‌های بازگشتی دچار می‌شود.

(۳) در هر دو مورد برنامه به دور بی‌نهایت از فراخوانی‌ها بازگشتی دچار می‌شود.

(۴) در هر دو مورد خروجی صفر چاپ خواهد شد.

۱۱۱- تابع زیر را در نظر بگیرید:

```
(define uuuu
  (lambda(L)
    (cond
      ((null? L) L)
      ((null? (cdr L)) L)
      ((eqv? (car L)(car(cdr L))) (uuuu(cdr L)))
      (else (cons (car L) (uuuu(cdr L)))))))
```

خروجی آن بر لیست (a b b b a c c b d) کدام است؟ (در این لیست هر حرف الفبای انگلیسی یک سمبل اتمی محسوب می‌شود.)

(d) (۱)

(a a b d) (۲)

(a b c d) (۳)

(a b a c b d) (۴)

۱۱۲- اصل شفافیت ارجاعی (Referential Transparency) در مورد محاسبه نتیجه عبارات (Expressions) در

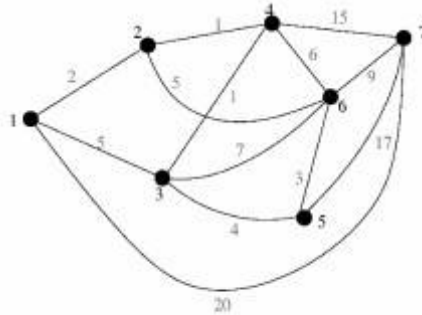
طراحی زبان‌ها در کدام‌یک از سنت‌های برنامه‌سازی زیر بیشترین اهمیت داده شده و در پیاده‌سازی رعایت می‌شود؟
 (۱) در زبان‌های تابعی سنتی مانند Lisp که در صورت لزوم برخی ویژگی‌های دستوری (Imperative) مانند انتساب مقدار به متغیرهای تعریف شده در حافظه را پشتیبانی می‌کنند.

(۲) در زبان‌های ترکیبی امروزی مانند F# که از ویژگی‌های هر دو سنت برنامه‌سازی دستوری (Imperative) و تابعی (Functional) پشتیبانی می‌کنند.

(۳) در زبان‌های تابعی خالص مانند Haskell که تلاش می‌کنند هیچ ویژگی دستوری (Imperative) را پشتیبانی نکنند.

(۴) در زبان‌هایی مانند C++ که از هر دو سنت برنامه‌سازی دستوری (رویه‌ای) و شی‌گرا هم‌زمان پشتیبانی می‌کنند.

۱۱۳- الگوریتم دایکسترا را بر روی گراف زیر و برای یافتن تمامی کوتاهترین مسیرها از رأس شماره ۱ اجرا کنید. رأس شماره ۵ چندمین رأسی است که کوتاهترین مسیری از رأس مبدا به دست می‌آید؟ رأس مبدا نیز در این ترتیب لحاظ می‌شود.



- ۶ (۴) ۵ (۳) ۴ (۲) ۳ (۱)

۱۱۴- فرض کنید D ماتریس فاصله‌ها در گراف وزن‌دار G با n رأس است. یعنی $D[i, j]$ نشان دهنده‌ی اندازه‌ی کوتاهترین مسیر بین رأس‌های i و j در گراف G است. ماتریس D و گراف G داده شده‌اند. فرض کنید وزن یک یال e از w_e به w'_e کاهش یافته است. در چه زمانی می‌توان ماتریس D را با توجه به کاهش وزن یال e به‌روز رسانی کرد؟

- $O(n)$ (۴) $O(n \log n)$ (۳) $O(n^2 \log n)$ (۲) $O(n^2)$ (۱)

۱۱۵- چندتا از گزاره‌های زیر درست‌اند؟

- ناحیه‌های ایجاد شده بین n دایره روی یک صفحه را می‌توان با دو رنگ رنگ‌آمیزی کرد، طوری که هیچ دو ناحیه‌ی مجاور هم‌رنگ نباشند. دو ناحیه مجاورند اگر یک کمان مشترک بین آن‌ها باشد.
- هر هزینه‌ی پستی بیش از ۷ ریال را می‌توان با تمبرهای ۳ ریالی و ۵ ریالی انجام داد.
- در گراف جهت‌دار شبکه‌ی شار اگر هر یال را با یال بدون جهت و با همان ظرفیت تعویض کنیم، مقدار شار بیشینه تغییر نمی‌کند.

- ۳ (۴) ۲ (۳) ۱ (۲) ۰ (۱)

۱۱۶- یک متن شامل ۲۵۶ نویسه‌ی ۸ بیتی است که در آن تعداد نویسه‌ای که بیشترین تکرار را دارد از دو برابر تعداد نویسه‌ی با کمترین تکرار کمتر است. در این حالت اندازه‌ی متن فشرده‌شده با الگوریتم هافمن چقدر است؟

- (۱) برابر اندازه‌ی متن اصلی است.
- (۲) نصف اندازه‌ی متن اصلی است.
- (۳) کمتر از نصف اندازه‌ی متن اصلی است.
- (۴) کمتر از اندازه‌ی متن اصلی ولی بیش‌تر از نصف اندازه‌ی متن اصلی است.

- ۱۱۷- دو دنباله A و B از اعداد طبیعی داده شده است. می‌خواهیم بزرگ‌ترین زیردنباله‌ی مشترک صعودی این دو دنباله را محاسبه کنیم. کدام یک از الگوریتم‌های زیر درست کار می‌کند؟
- الف) بزرگ‌ترین زیردنباله‌ی مشترک A و B را محاسبه می‌کنیم و C می‌نامیم. سپس بزرگ‌ترین زیردنباله‌ی صعودی C را محاسبه و گزارش می‌کنیم.
- ب) دنباله‌ی A را مرتب می‌کنیم و آن را A' می‌نامیم. بزرگ‌ترین زیردنباله‌ی مشترک A' ، A و B را محاسبه و گزارش می‌کنیم.

- (۱) الف: درست، ب: درست.
 (۲) الف: نادرست، ب: درست.
 (۳) الف: درست، ب: نادرست.
 (۴) الف: نادرست، ب: نادرست.

- ۱۱۸- معادل حساب رابطه‌ای یا جبر رابطه‌ای پرس‌وجوی «نام دانشجویانی که حداقل یک درس عملی-منظور درسی که COTYPE آن برابر 'p' باشد- در ترم ۲ سال ۹۴-۹۵ انتخاب کرده باشند» کدام مورد زیر است؟

دانشجویان (STID, STNAME, STLEVEL, STMAJOR) ST

درس‌ها (COID, CONAME, COTYPE, CREDIT) CO

درس‌های انتخاب شده توسط دانشجویان (STID, COID, YR, TR, GRADE) STCO

RANGVAR STX OVER ST RANGVAR COX OVER CO RANGVAR STCOX OVER STCO

A) STX.STNAME WHERE EXISTS STCOX (STCOX.YR='94-95' AND STCOX.TR='2' AND STCOX.STID=STX.STID AND EXISTS COX (COX.COID=STCOX.COID AND COX.COTYPE='p'))

B) $\prod_{(STNAME)} (ST \bowtie (\sigma_{YR='94-95' \wedge TR='2'}(STCO) \bowtie \sigma_{COTYPE='p'}(CO)))$

C) STX.STNAME WHERE NOT EXISTS STCOX (STCOX.YR='94-95' AND STCOX.TR='2' AND STCOX.STID=STX.STID AND NOT EXISTS COX (COX.COID=STCOX.COID AND COX.COTYPE='p'))

D) $\prod_{(STNAME)} (\sigma_{YR='94-95' \wedge TR='2' \wedge COTYPE='p'}(ST \bowtie (STCO \bowtie CO)))$

(۱) فقط C

(۲) فقط A و B

(۳) فقط C و D

(۴) A و B و D

- ۱۱۹- کدام یک از موارد زیر صحیح است؟

- (۱) رابطه‌ای نرمال است که هیچ یک از صفات ساده‌اش چند مقداری نباشند.
 (۲) کلید کاندید رابطه می‌تواند کاهش‌پذیر باشد.
 (۳) تاپل‌های یک رابطه نظم مکانی دارند.
 (۴) رابطه تاپل تکراری ندارد.

۱۲۰- رابطه $R(A, B, C, D, E)$ و مجموعه وابستگی های تابعی F را در نظر بگیرید.

$$F = \{A \rightarrow BC, CD \rightarrow E, B \rightarrow D, E \rightarrow A\}$$

کدام یک از گزینه ها نمی تواند یک کلید کاندید برای R باشد؟

B (۱)

E (۲)

BC (۳)

CD (۴)

۱۲۱- با توجه به پایگاه داده زیر، دستور SQL برای یافتن «نام اعضای که همه کتاب های منتشر شده توسط Mc Graw-Hill را به امانت برده اند»، کدام است؟

Member (mem-no, name, age)
Book (isbn, title, author, publisher)
Borrowed (mem-no, isbn, date)

(۱)

SELECT A.name FROM Member A WHERE

NOT EXISTS (SELECT isbn FROM Book, Borrowed B WHERE publisher = McGraw-Hill AND
B.mem-no \neq A.mem-no)

(۲)

SELECT A.name FROM Member A WHERE

NOT EXISTS (SELECT isbn FROM Book, Borrowed B WHERE publisher = McGraw-Hill
AND B.mem-no = A.mem-no)

(۳)

SELECT A.name FROM Member A WHERE

NOT EXISTS ((SELECT isbn FROM Book
WHERE publisher = McGraw-Hill) EXCEPT (SELECT isbn FROM Borrowed B
WHERE B.mem-no = A.mem-no)))

(۴)

SELECT A.name FROM Member A WHERE

NOT EXISTS ((SELECT isbn FROM Borrowed B
WHERE B.mem-no = A.mem-no) EXCEPT (SELECT isbn FROM Book
WHERE publisher = McGraw-Hill)))

کلید اولیه آزمون کارشناسی ارشد نا پیوسته سال 1395

کلید اولیه آزمون کارشناسی ارشد نا پیوسته سال 1395

به اطلاع داوطلبان شرکت کننده در آزمون کارشناسی ارشد سال 1395 می‌رساند، کلید اولیه سوالات بر روی سایت سازمان سنجش قرار گرفته است. این کلید اولیه غیر قابل استناد است پس از دریافت نظرات داوطلبان و صاحب نظران کلید نهایی سوالات تهیه و بر اساس آن کارنامه داوطلبان استخراج خواهد شد. در صورت تمایل می‌توانید حداکثر تا تاریخ 1395/03/12 با مراجعه به سایت سازمان سنجش www.sanjesh.org از طریق سیستم ارسال و درخواست نسبت به تکمیل فرمی که برای دریافت این نظرات آماده گردیده است اقدام نمایید. لازم به ذکر است نظرات داوطلبان فقط از طریق اینترنت دریافت خواهد شد و به موارد ارسالی از طریق دیگر رسیدگی نخواهد شد.

نوع دفترچه	نام رشته امتحانی	کد رشته امتحانی
A	مهندسی کامپیوتر	1277

شماره سوال	گزینه صحیح	شماره سوال	گزینه صحیح	شماره سوال	گزینه صحیح	شماره سوال	گزینه صحیح	شماره سوال	گزینه صحیح
1	1	31	2	61	4	91	2	121	3
2	3	32	1	62	3	92	3		
3	2	33	3	63	2	93	4		
4	1	34	4	64	4	94	2		
5	4	35	3	65	3	95	2		
6	3	36	2	66	4	96	1		
7	4	37	1	67	2	97	2		
8	2	38	4	68	1	98	3		
9	4	39	1	69	2	99	4		
10	2	40	2	70	1	100	1		
11	2	41	4	71	3	101	2		
12	1	42	1	72	4	102	3		
13	3	43	1	73	3	103	1		
14	4	44	2	74	1	104	4		
15	3	45	3	75	4	105	4		
16	4	46	4	76	2	106	2		
17	1	47	2	77	3	107	1		
18	2	48	3	78	4	108	3		
19	3	49	3	79	1	109	2		
20	3	50	1	80	4	110	1		
21	1	51	1	81	3	111	4		
22	1	52	4	82	1	112	3		
23	4	53	3	83	1	113	4		
24	3	54	1	84	2	114	1		
25	4	55	2	85	3	115	3		
26	2	56	4	86	3	116	1		
27	4	57	2	87	2	117	2		
28	1	58	2	88	3	118	4		
29	2	59	1	89	2	119	4		
30	3	60	3	90	1	120	1		

خروج