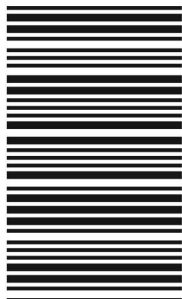


کد کنترل

756

F



756F

آزمون ورودی دوره‌های کارشناسی ارشد ناپیوسته داخل - سال ۱۴۰۲



جمهوری اسلامی ایران  
وزارت علوم، تحقیقات و فناوری  
سازمان سنجش آموزش کشور

عصر پنج‌شنبه  
۱۴۰۱/۱۲/۱۱

«اگر دانشگاه اصلاح شود  
مملکت اصلاح می‌شود.»  
امام خمینی (ره)

مهندسی ابزار دقیق و اتوماسیون صنایع نفت (کد ۱۲۹۰)

زمان پاسخ‌گویی: ۲۰۰ دقیقه

تعداد سؤال: ۱۲۵

عنوان مواد امتحانی، تعداد و شماره سؤالات

ردیف	مواد امتحانی	تعداد سؤال	از شماره	تا شماره
۱	زبان عمومی و تخصصی (انگلیسی)	۲۵	۱	۲۵
۲	ریاضیات مهندسی	۱۵	۲۶	۴۰
۳	کنترل خطی و غیرخطی	۱۵	۴۱	۵۵
۴	ترمودینامیک	۲۰	۵۶	۷۵
۵	انتخاب ۲ درس	۲۰	۷۶	۹۵
۶	از ۴ درس	۱۵	۹۶	۱۱۰
۷	الکترونیک (ا و ۱)	۱۵	۱۱۱	۱۲۵

\* توجه:

– متقاضیان باید از بین دروس ۴ تا ۷، فقط دو درس را به انتخاب پاسخ دهند.

این آزمون نمره منفی دارد.

استفاده از ماشین حساب مجاز نیست.

حق چاپ، تکثیر و انتشار سؤالات به هر روش (الکترونیکی و...) پس از برگزاری آزمون، برای تمامی اشخاص حقیقی و حقوقی تنها با مجوز این سازمان مجاز می‌باشد و با متخلفین برابر مقررات رفتار می‌شود.

\* داوطلب گرامی، عدم درج مشخصات و امضا در مندرجات جدول زیر، به منزله عدم حضور شما در جلسه آزمون است.

اینجانب ..... با شماره داوطلبی ..... با آگاهی کامل، یکسان بودن شماره سندلی خود با شماره داوطلبی مندرج در بالای کارت ورود به جلسه، بالای پاسخنامه و دفترچه سؤالات، نوع و کد کنترل درج شده بر روی جلد دفترچه سؤالات و پایین پاسخنامه ام را تأیید می‌نمایم.

امضا:

زبان عمومی و تخصصی (انگلیسی):

### PART A: Vocabulary

**Directions:** Choose the word or phrase (1), (2), (3), or (4) that best completes each sentence. Then mark the answer on your answer sheet.

- 1- When you ----- a meeting, it is important to speak clearly, confidently and at a good pace.  
1) assess                      2) propagate                      3) address                      4) impress
- 2- People like the newly proposed system, but because of the costs involved we do not believe it is -----, and we need to look for other options.  
1) compliant                      2) defensive                      3) ingenuous                      4) viable
- 3- The country in question is very poor, and one in seven children dies in -----.  
1) infancy                      2) nutrition                      3) malfunction                      4) mortality
- 4- I don't consider myself to be particularly -----, but when I'm given a job, I make sure it gets done.  
1) industrious                      2) spontaneous                      3) risky                      4) unexceptional
- 5- The new airliner is more environmentally-friendly than other aircraft, its only ----- being its limited flying range.  
1) demand                      2) drawback                      3) controversy                      4) attribute
- 6- The celebrity will ----- assistance from the police to keep stalkers away from his property.  
1) extend                      2) invoke                      3) absolve                      4) withdraw
- 7- When plates in the Earth's crust slide or grind against one another, an earthquake with devastating consequences may be -----.  
1) derived                      2) surpassed                      3) triggered                      4) traced

### PART B: Cloze Test

**Directions:** Read the following passage and decide which choice (1), (2), (3), or (4) best fits each space. Then mark the correct choice on your answer sheet.

The new species was named Maiacetus inuus, which means "mother whale," (8) ----- in the family Protocetidae. Assignment to a new species was justified due to critical differences from other protocetid whales, such as solidly co-ossified left and

right dentaries (lower jaws), (9) ----- in the ankle, and significant disparity in hind limb elements. The fossils show (10) ----- this new species' length is unimpressive relative to some extant (living) whales, but still, *Maiacetus inuus* measures a respectable 2.6 meters.

- 8- 1) placed                      2) that placed                      3) was placed                      4) and was placed  
 9- 1) there were variations                      2) varying  
     3) variations                      4) which varied  
 10- 1) when                      2) that                      3) although                      4) for

### **PART C: Reading Comprehension**

***Directions:*** Read the following three passages and answer the questions by choosing the best choice (1), (2), (3), or (4). Then mark the correct choice on your answer sheet.

#### **PASSAGE 1:**

Computers can perform both sequential control and feedback control, and typically a single computer will do both in an industrial application. Programmable logic controllers (PLCs) are a type of special-purpose microprocessor that replaced many hardware components such as timers and drum sequencers used in relay logic-type systems. General-purpose process control computers have increasingly replaced stand-alone controllers, with a single computer able to perform the operations of hundreds of controllers. Process control computers can process data from a network of PLCs, instruments, and controllers to implement typical (such as PID) control of many individual variables or, in some cases, to implement complex control algorithms using multiple inputs and mathematical manipulations. They can also analyze data and create real-time graphical displays for operators and run reports for operators, engineers, and management.

Control of an automated teller machine (ATM) is an example of an interactive process in which a computer will perform a logic-derived response to a user selection based on information retrieved from a networked database. The ATM process has similarities with other online transaction processes. The different logical responses are called scenarios. Such processes are typically designed with the aid of use cases and flowcharts, which guide the writing of the software code. The earliest feedback control mechanism was the water clock invented by Greek engineer Ctesibius.

- 11- **According to the passage, an industrial application -----.**  
 1) has to use a single computer to do all its controls  
 2) refrains logic controllers to replace many components  
 3) requires both sequential control and feedback control  
 4) attempts to use hardware tools instead of microprocessors
- 12- **Programmable logic controllers -----.**  
 1) can utilize in relay logic-type systems  
 2) include many hardware components  
 3) are replaced by timers and drum sequencers  
 4) are stand-alone units used in industrial manufacturing

- 13- All of the following, according to the passage, are the functions of process control computers EXCEPT -----.
- 1) running reports for operators
  - 2) creating real-time graphical displays
  - 3) implementing complex control algorithms
  - 4) analyzing multiple inputs and mathematical manipulations
- 14- The word "retrieved" in paragraph 2 is similar in meaning to -----.
- 1) looked up
  - 2) gotten back
  - 3) searched for
  - 4) turned in
- 15- It's mentioned in the passage that scenarios -----.
- 1) are designed with the aid of users
  - 2) are among online transaction processes
  - 3) act as the followers of the software code
  - 4) are based on information retrieved from a database

**PASSAGE 2:**

Fundamentally, there are two types of control loops: open-loop control, and closed-loop control. In open-loop control, the control action from the controller is independent of the "process output". A good example of this is a central heating boiler controlled only by a timer, so that heat is applied for a constant time, regardless of the temperature of the building.

In closed-loop control, the control action from the controller is dependent on the process output. In the case of the boiler analogy, this would include a temperature sensor to monitor the building temperature, and thereby feed a signal back to the controller to ensure it maintains the building at the temperature set on the thermostat. A closed-loop controller, therefore, has a feedback loop that ensures the controller exerts a control action to give a process output equal to the "reference input" or "set point". For this reason, closed-loop control is also called feedback control.

The definition of a closed-loop control system according to the Standard Institution is a control system possessing monitoring feedback, the deviation signal formed as a result of this feedback being used to control the action of a final control element in such a way as to tend to reduce the deviation to zero.

Likewise, a feedback control system is a system that tends to maintain a prescribed relationship of one system variable to another by comparing functions of these variables and using the difference as a means of control. The advanced type of automation that revolutionized manufacturing, aircraft, communications, and other industries, is feedback control, which is usually continuous and involves taking measurements using a sensor and making calculated adjustments to keep the measured variable within a set range. The theoretical basis of closed-loop automation is control theory.

- 16- An open-loop system -----.
- 1) has no self-regulation or control action over the output value
  - 2) uses the output of a system as a variable to control the system
  - 3) is applied on the system for a constant time controlled only by a timer
  - 4) is a controller in which the output is independent of the input of the system

- 17- It's referred in the passage that a reference input or set point is -----.
- 1) the continuous steps of automation in a control system
  - 2) the standard condition that you set to monitor the system
  - 3) the advanced type of maintenance of control systems and elements
  - 4) the value or a trajectory which the output of the system should follow
- 18- You can conclude from the passage when the deviation signal is zero, the system -----.
- 1) will continue using a sensor
  - 2) processes the final feedback
  - 3) will cease to adjust with the desired
  - 4) increases the action of a final control element
- 19- The word "involves" in paragraph 4 is closest in meaning to -----.
- 1) forms
  - 2) means
  - 3) controls
  - 4) completes
- 20- The writer of this passage wants to -----.
- 1) define two types of control system
  - 2) represent the advanced types of automation
  - 3) highlight control theory as the basis of automation
  - 4) prescribe a relationship between two control loops

**PASSAGE 3:**

Industrial robotics is a sub-branch in industrial automation that aids in various manufacturing processes. Such manufacturing processes include machining, welding, painting, assembling and material handling to name a few. Industrial robots use various mechanical, electrical as well as software systems to allow for high precision, accuracy and speed that far exceed any human performance. The birth of industrial robots came shortly after World War II as the world saw the need for a quicker way to produce industrial and consumer goods. Servos, digital logic and solid-state electronics allowed engineers to build better and faster systems and over time these systems were improved and revised to the point where a single robot is capable of running 24 hours a day with little or no maintenance. In 1997, there were 700,000 industrial robots in use, the number has risen to 1.8M in 2017. In recent years, artificial intelligence with robotics is also used in creating an automatic labeling solution, using robotic arms as the automatic label applicator, and AI for learning and detecting the products to be labelled.

- 21- You can conclude from the passage that industrial automation -----.
- 1) is a branch of industrial robotics
  - 2) is actually a multi-disciplinary stream
  - 3) aids in some few manufacturing processes
  - 4) is a name given to assembling and material handling
- 22- Industrial robots performance -----.
- 1) played a special role in World War II
  - 2) causes human activities to be restricted
  - 3) goes beyond the limits of human performance
  - 4) compensates the lack of work force in the industry

- 23- The advent of industrial robots was due to -----.
- 1) the absence of precision and accuracy in laborers
  - 2) the high expenses of maintenance and repair in industry
  - 3) facilitating the processes as machining, welding, painting and etc.
  - 4) the need for a quicker way to produce industrial and consumer goods
- 24- Artificial intelligence with robotics, as stated in the passage, -----.
- 1) accelerates the manufacturing processes in industry
  - 2) designs the required applicators for industrial production
  - 3) proposes a new method in utilizing automation in industry
  - 4) contributes to overcome some problems in labelling domain
- 25- The word "detecting" in the last line of the passage means -----.
- 1) defining
  - 2) recognizing
  - 3) classifying
  - 4) designing

ریاضیات مهندسی:

۲۶- سری فوریه تابع زیر کدام است؟

$$f(x) = \begin{cases} -x+1 & -1 \leq x < 0 \\ x-1 & 0 \leq x < 1 \end{cases}, f(x+2) = f(x)$$

$$\frac{1}{2} + \sum_{n=1}^{\infty} \frac{4}{n^2 \pi^2} ((-1)^n - 1) \cos(n\pi x) \quad (1)$$

$$\frac{1}{2} + \sum_{n=1}^{\infty} \frac{4}{n^2 \pi^2} (-(-1)^n - 1) \cos(n\pi x) \quad (2)$$

$$\frac{1}{2} + \sum_{n=1}^{\infty} \frac{4}{n^2 \pi^2} (1 - (-1)^{n+1}) \cos(n\pi x) \quad (3)$$

$$\frac{1}{2} + \sum_{n=1}^{\infty} \frac{4}{n^2 \pi^2} (1 + (-1)^{n+1}) \cos(n\pi x) \quad (4)$$

۲۷- می‌دانیم سری فوریه تابع  $f(x) = \begin{cases} -1 & -\pi < x < 0 \\ 1 & 0 < x < \pi \end{cases}$  به شکل  $f(x) = \frac{4}{\pi} \sum_{n=1}^{\infty} \frac{\sin(2n-1)x}{(2n-1)}$  است. اگر

$$s_1 = \sum_{n=1}^{\infty} \frac{1}{(2n-1)^2} \text{ و } s_2 = \sum_{n=1}^{\infty} \frac{(-1)^{n+1}}{2n-1} \text{ باشد، آنگاه حاصل } s_1 + 2s_2 \text{ کدام است؟}$$

$$\frac{\pi^2}{16} \quad (1)$$

$$\frac{\pi^2}{8} \quad (2)$$

$$\frac{\pi^2}{4} \quad (3)$$

$$\frac{\pi^2}{2} \quad (4)$$

۲۸- تبدیل فوریه تابع  $f(x) = \begin{cases} -1 & -1 < x < 0 \\ 1 & 0 < x < 1 \\ 0 & x > 1 \text{ یا } x < -1 \end{cases}$  کدام است؟

$$-i \sqrt{\frac{2}{\pi}} \left( \frac{\cos \omega - 1}{\omega} \right) \quad (1)$$

$$i \sqrt{\frac{2}{\pi}} \left( \frac{\cos \omega - 1}{\omega} \right) \quad (2)$$

$$\sqrt{\frac{2}{\pi}} \left( \frac{\cos \omega - 1}{\omega} \right) \quad (3)$$

$$-\sqrt{\frac{2}{\pi}} \left( \frac{\cos \omega - 1}{\omega} \right) \quad (4)$$

۲۹- اگر  $f(x) = \begin{cases} e^{-x} & 0 \leq x < \infty \\ 0 & \text{سایر نقاط} \end{cases}$  حاصل انتگرال زیر کدام است؟

$$\int_{-\infty}^{\infty} \frac{\cos x + x \sin x}{1+x^2} dx$$

$$-2\pi e \quad (1)$$

$$\text{صفر} \quad (2)$$

$$\frac{2\pi}{e} \quad (3)$$

$$4\pi e \quad (4)$$

۳۰- جواب معادله گرمای زیر کدام است؟

$$\begin{cases} u_t = 4u_{xx} & 0 < x < 3, t > 0 \\ u_x(0, t) = u_x(3, t) = 0 \\ u(x, 0) = 5 + 2 \cos\left(\frac{2\pi}{3}x\right) \end{cases}$$

$$\left( 5 + 2 e^{-\frac{4\pi^2}{9}t} \right) \cos\left(\frac{2\pi}{3}x\right) \quad (1)$$

$$5 + 2 e^{-\frac{4\pi^2}{9}t} \cos\left(\frac{2\pi}{3}x\right) \quad (2)$$

$$\left( 5 + 2 e^{-\frac{16\pi^2}{9}t} \right) \cos\left(\frac{2\pi}{3}x\right) \quad (3)$$

$$5 + 2 e^{-\frac{16\pi^2}{9}t} \cos\left(\frac{2\pi}{3}x\right) \quad (4)$$

۳۱- با کدام تغییر متغیر معادله زیر به فرم کانونی تبدیل خواهد شد؟

$$U_{xx} + (1+x+\cos x)U_{xy} + (1+x)\cos xU_{yy} = 0$$

$$\begin{cases} w = y - \frac{1}{2}x^2 - x \\ v = y - \sin x \end{cases} \quad (1)$$

$$\begin{cases} w = y - \frac{1}{2}x^2 + x \\ v = y - \sin x \end{cases} \quad (2)$$

$$\begin{cases} w = y - \frac{1}{2}x^2 - x \\ v = y - \cos x \end{cases} \quad (3)$$

$$\begin{cases} w = y - \frac{1}{2}x^2 + x \\ v = y - \cos x \end{cases} \quad (4)$$

۳۲- تبدیل لاپلاس معادله دیفرانسیل  $x \frac{\partial w}{\partial x} + \frac{\partial w}{\partial t} = xt$  با شرایط  $w(x, 0) = 0, w(0, t) = 0$  و  $t \geq 0, x \geq 0$  کدام است؟

$$W(x, s) = \frac{x}{s^2(s+1)} \quad (2)$$

$$W(x, s) = \frac{x}{s^2(s-1)} \quad (1)$$

$$W(x, s) = -\frac{x}{s^2(s-1)} \quad (4)$$

$$W(x, s) = -\frac{x}{s^2(s+1)} \quad (3)$$

۳۳- جوابهای معادله  $\cosh iz = 5$  کدام است؟ (k یک عدد صحیح است)

(راهنمایی:  $\cosh(a+ib) = \cosh a \cos b + i \sinh a \sin b$ )

$$\ln(5 + \sqrt{24}) \pm 2k\pi i \quad (2)$$

$$k\pi \pm i \ln(5 + \sqrt{24}) \quad (1)$$

$$2k\pi \pm i \ln(5 + \sqrt{24}) \quad (4)$$

$$\ln(5 + \sqrt{24}) \pm k\pi i \quad (3)$$

۳۴- تابع  $f(z) = \exp(iz + 2) + \exp(z^2 + i)$  در کدام شرط صدق می‌کند، وقتی که Z روی نیمساز ربع اول و سوم قرار دارد؟

$$|f(z)| \leq 1 + e^{y-2} \quad (2)$$

$$|f(z)| \leq e^{2-y} \quad (1)$$

$$|f(z)| \leq e^{y-2} \quad (4)$$

$$|f(z)| \leq 1 + e^{2-y} \quad (3)$$

۳۵- مقدار اصلی عدد مختلط  $(4-4i)^{2+i}$  کدام است؟

$$32e^{\frac{\pi}{4}} (\sin(\ln \sqrt{32}) - i \cos(\ln \sqrt{32})) \quad (1)$$

$$32e^{\frac{\pi}{4}} (\cos(\ln \sqrt{32}) - i \sin(\ln \sqrt{32})) \quad (2)$$

$$32e^{\frac{\pi}{4}} (\sin(\ln \sqrt{32}) + i \cos(\ln \sqrt{32})) \quad (3)$$

$$32e^{\frac{\pi}{4}} (\cos(\ln \sqrt{32}) + i \sin(\ln \sqrt{32})) \quad (4)$$



۳۶- اگر تابع  $f(z) = u + iv$  تحلیلی و  $\operatorname{Re}(f'(z)) = -6xy$  باشد، حاصل  $f'(1, 0)$  کدام است؟

(۱)  $6i$

(۲)  $3i$

(۳)  $-6i$

(۴)  $-3i$

۳۷- مقدار  $\oint_C \frac{(1+2z)\cos z}{(2z-1)^2} dz$  کدام است، وقتی که  $C$  یک مربع با رئوس  $\pm 1 \pm i$  می‌باشد که در خلاف عقربه‌های

ساعت جهت‌دار شده است؟

(۱)  $\pi i \left( \cos \frac{1}{2} + \sin \frac{1}{2} \right)$

(۲)  $\pi i \left( \cos \frac{1}{2} - \sin \frac{1}{2} \right)$

(۳)  $2\pi i \left( \cos \frac{1}{2} - \sin \frac{1}{2} \right)$

(۴)  $2\pi i \left( \cos \frac{1}{2} + \sin \frac{1}{2} \right)$

۳۸- سری لوران تابع  $f(z) = \frac{2i}{(z-i)(z+i)}$  حول نقطه  $z = i$  کدام است؟

(۱)  $\sum_{n=-1}^{\infty} \frac{(-1)^n (z-i)^n}{(2i)^n}$

(۲)  $\sum_{n=0}^{\infty} (-1)^{n+1} \frac{(z-i)^{n-1}}{(2i)^n}$

(۳)  $\sum_{n=0}^{\infty} \frac{(-1)^n (z-i)^{n-1}}{(2i)^n}$

(۴)  $\sum_{n=0}^{\infty} \frac{(-1)^{n+1} (z-i)^n}{(2i)^n}$

۳۹- مانده تابع  $f(z) = \frac{-i\pi e^{iz}}{\cos \pi z}$  حول نقطه  $z = \frac{1}{2}$  کدام است؟

(۱)  $-\sin \frac{1}{2} + i \cos \frac{1}{2}$

(۲)  $\sin \frac{1}{2} - i \cos \frac{1}{2}$

(۳)  $\cos \frac{1}{2} - i \sin \frac{1}{2}$

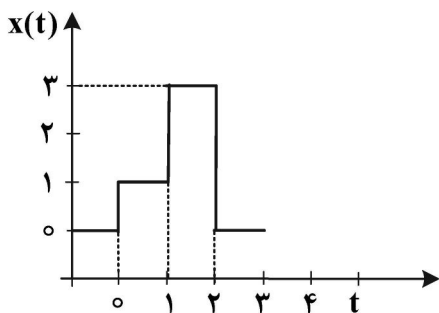
(۴)  $-\cos \frac{1}{2} + i \sin \frac{1}{2}$

۴۰- در رابطه با نگاشت  $w = e^{-iz + \ln 2} + iv = u$  کدام مورد درست است؟

- (۱) محور Xها را به محور Vها در صفحه UV منتقل می کند.
- (۲) محور Yها را به محور Uها در صفحه UV منتقل می کند.
- (۳) محور Xها را به دایره‌ای به شعاع ۲ در صفحه UV منتقل می کند.
- (۴) محور Yها را به دایره‌ای به شعاع ۲ در صفحه UV منتقل می کند.

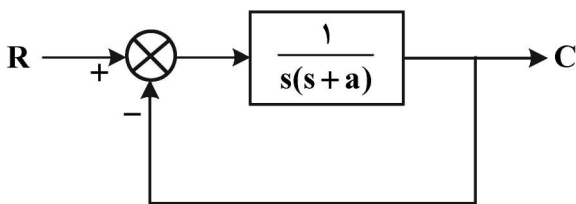
کنترل خطی و غیرخطی:

۴۱- سیگنال ورودی به یک سیستم کنترل مطابق شکل زیر است. مقدار  $X(s)$  (لاپلاس  $x(t)$ ) کدام است؟



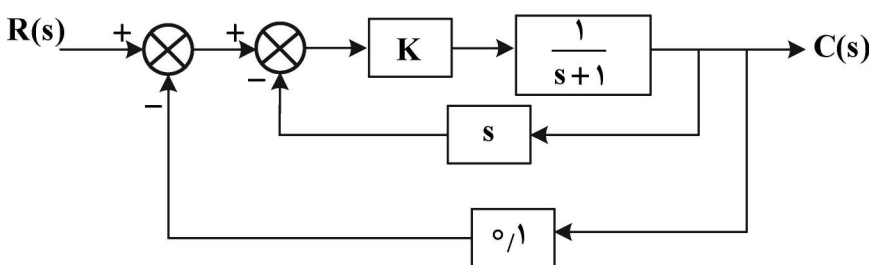
- (۱)  $\frac{1 + 3e^{-s}}{s}$
- (۲)  $\frac{1 - e^{-s} - 3e^{-2s}}{s}$
- (۳)  $\frac{1 + 2e^{-s} + 3e^{-2s}}{s}$
- (۴)  $\frac{1 + 2e^{-s} - 3e^{-2s}}{s}$

۴۲- با توجه به سیستم کنترلی شکل زیر، اگر یک تغییر پله‌ای در مقدار مقرر اتفاق بیفتد، مقدار  $a$  چقدر باشد تا پاسخ سیستم بدون نوسان و با بیشترین سرعت به مقدار نهایی خود برسد؟



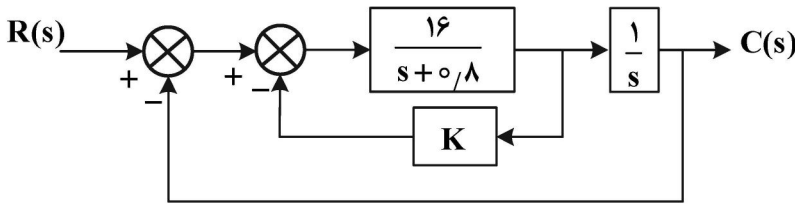
- (۱)  $\frac{1}{3}$
- (۲)  $\frac{1}{2}$
- (۳) ۱
- (۴) ۲

۴۳- تابع انتقال مدار بسته سیستم کنترلی شکل زیر،  $\frac{C(s)}{R(s)}$  کدام است؟



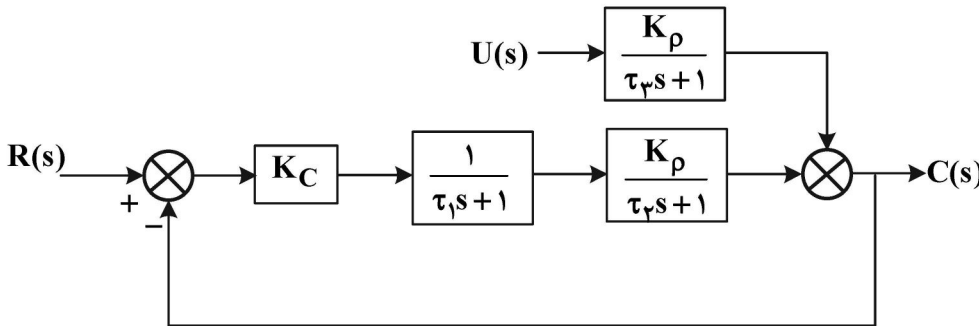
- (۱)  $\frac{K}{(1+K)s + (1+0.1K)}$
- (۲)  $\frac{K}{(1+0.1K)s + (1+K)}$
- (۳)  $\frac{0.1K}{(1+K)s + (1+0.1K)}$
- (۴)  $\frac{K}{(1+K)s + 0.1}$

۴۴- در سیستم کنترل شکل زیر مقدار  $K$  برای اینکه ضریب میرایی سیستم برابر  $0.5$  باشد، کدام است؟



- (۱)  $0.2$
- (۲)  $0.4$
- (۳)  $0.2$
- (۴)  $0.4$

۴۵- برای سیستم کنترل شکل زیر به ازای یک ورودی پله‌ای واحد در بار (Load) مقدار خطای حالت پایدار (Offset) کدام است؟



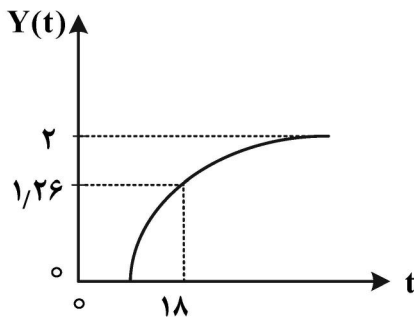
- (۱)  $\frac{-K_p}{1+K_c K_p}$
- (۲)  $\frac{K_p}{1+K_c K_p}$
- (۳)  $\frac{1}{1+K_c K_p}$
- (۴)  $\frac{K_c K_p}{1+K_c K_p}$

۴۶- تابع تبدیل مدار باز سیستمی عبارت است از:

$$\frac{1}{s^3 + 2s^2 + s + 4 - K}$$

به ازای چه مقادیری از  $K$  این سیستم پایدار است؟

- (۱)  $0 < K < 5$
  - (۲)  $3 < K < 5$
  - (۳)  $0 < K < 3$
  - (۴) سیستم به ازای تمام مقادیر  $K$  پایدار است.
- ۴۷- شکل زیر پاسخ سیستمی به یک ورودی پله‌ای واحد است. تابع انتقال این سیستم  $\frac{Y(s)}{X(s)}$  کدام است؟



- (۱)  $\frac{2e^{-1.8s}}{1.8s+1}$
- (۲)  $\frac{2e^{-1.0s}}{1.8s+1}$
- (۳)  $\frac{e^{-1.0s}}{1.8s+1}$
- (۴)  $\frac{2e^{-1.0s}}{1.8s+1}$

۴۸- با افزایش کنترل دیفرانسیل به کنترل تناسبی  $G = K_c(1 + \tau_D s)$  چه اتفاقی خواهد افتاد؟  
 (۱) سیستم نوسانی تر می‌شود.  
 (۲) افت کنترل (Offset) از سیستم حذف می‌شود.  
 (۳) حداکثر مقدار  $K_c$  برای ناپایدار شدن سیستم افزایش می‌یابد.  
 (۴) حداقل مقدار  $K_c$  برای ناپایدار شدن سیستم افزایش می‌یابد.

۴۹- معادله مشخصه سیستمی به صورت  $s^3 + as^2 + bs + a + 1 = 0$  است. مقادیر  $a$  و  $b$  چقدر باشند، تا سیستم با

فرکانس  $\frac{2 \text{ rad}}{s}$  نوسان کند؟

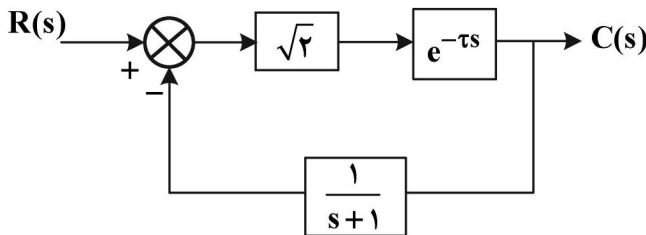
(۱)  $a = \frac{1}{4}$  و  $b = 3$

(۲)  $a = b = \frac{1}{3}$

(۳)  $b = 4$  و  $a = \frac{1}{3}$

(۴)  $b = \frac{1}{3}$  و  $a = 4$

۵۰- در سیستم کنترل شکل زیر به ازای چه مقداری از  $\tau$  سیستم در مرز ناپایداری قرار می‌گیرد؟



(۱)  $\frac{\pi}{4}$

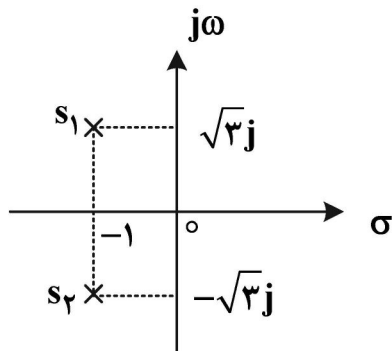
(۲)  $\frac{3\pi}{4}$

(۳)  $\frac{\pi}{2}$

(۴)  $\frac{3\pi}{2}$

۵۱- مکان هندسی ریشه‌های معادله مشخصه سیستمی به صورت زیر است. ضریب میرایی  $\xi$  و ثابت زمانی  $\tau$  این

سیستم به ترتیب از راست به چپ کدام است؟



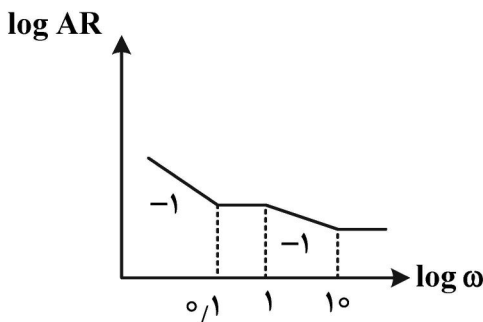
(۱)  $\frac{1}{2}$  و  $\frac{1}{2}$

(۲)  $\frac{\sqrt{3}}{3}$  و  $\frac{1}{2}$

(۳)  $\frac{1}{3}$  و  $\frac{1}{3}$

(۴)  $\frac{1}{2}$  و  $\frac{\sqrt{3}}{3}$

۵۲- شکل زیر مجانب‌های نمودار Bode یک سیستم کنترلی است. تابع تبدیل سیستم کدام است؟



(۱)  $\frac{s(10s+1)}{(s+1)(0.1s+1)}$

(۲)  $\frac{s(s+1)}{(10s+1)(0.1s+1)}$

(۳)  $\frac{(s+1)(10s+1)}{s(0.1s+1)}$

(۴)  $\frac{(10s+1)(0.1s+1)}{s(s+1)}$

۵۳- شرط پایداری در سیستم کنترلی شکل زیر کدام است؟

(۱)  $0 < K < \sqrt{2}$   
 (۲)  $0 < K < 2\sqrt{2}$   
 (۳)  $0 < K < 2$   
 (۴)  $0 < K < 1$

۵۴- در سیستم کنترل شکل زیر مقدار  $K_c$  چقدر باشد تا حاشیه بهره (Gain margin) برابر ۲ باشد؟

(۱) ۴  
 (۲) ۳  
 (۳) ۲  
 (۴) ۱

۵۵- تابع تبدیل یک سیستم کنترلی عبارت است از:

$$\frac{C(s)}{R(s)} = \frac{e^{-\frac{\pi s}{4}}}{s(s+1)}$$

اگر  $R(t) = \sin t$  باشد، پاسخ نهایی  $C(t)$  کدام یک خواهد بود؟

- (۱)  $\frac{1}{\sqrt{2}} \sin t$   
 (۲)  $-\sin t$   
 (۳)  $\cos t$   
 (۴)  $\sqrt{2} \sin t$

ترمودینامیک:

۵۶- اگر گیج فشار ۱۷۸ kPa را نشان دهد، فشار مطلق گاز چند میلی متر جیوه است؟ ( $\rho_{Hg} = 13/6 \rho_{H_2O}$ ) و فشار

اتمسفریک را ۱۰۰ kPa در نظر بگیرید.)

- (۱) ۱۴۹۰       (۲) ۱۶۴۰       (۳) ۱۸۲۰       (۴) ۲۰۸۰

۵۷- مخترعی ادعا می کند که یک موتور گرمایی (Heat Engine) طراحی و ساخته است که بین دو دمای  $27^\circ C$  و

$10^\circ C$  کار می کند، به طوری که ۱۰ kW قدرت تولید کرده و  $9900 \frac{kJ}{min}$  گرما به محیط تخلیه می کند. آیا این

موتور گرمایی امکان پذیر است؟ چرا؟

(۱) بله - چون موافق قانون اول ترمودینامیک است.

(۲) خیر - چون قانون دوم ترمودینامیک را نقض می کند.

(۳) خیر - چون خلاف هر دو قانون اول و دوم ترمودینامیک عمل می کند.

(۴) بله - چون بازدهی حرارتی آن از بازدهی کارنو بین همان دو دما تجاوز نمی کند.

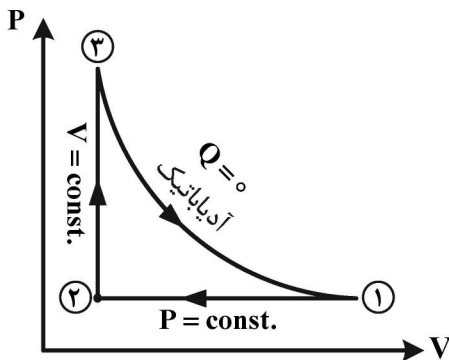
۵۸- فرایند چرخه (Cycle) زیر توسط گاز ایده آل (Ideal Gas) انجام می‌گیرد.

$$k = \frac{C_P}{C_V}$$

$$\frac{V_1}{V_2} = r_c = \text{نسبت تراکم}$$

$$\frac{P_3}{P_2} = r_p = \text{نسبت فشار}$$

بازدهی حرارتی ( $\eta_{th}$  Thermal Efficiency) چرخه کدام است؟



$$1 - \frac{(r_c)^k - 1}{r_p - 1} \quad (1)$$

$$1 - \frac{r_c - 1}{kr_p + 1} \quad (2)$$

$$1 - k \left( \frac{r_c - 1}{r_p - 1} \right) \quad (3)$$

$$1 - \left( \frac{r_p - 1}{r_c - 1} \right)^k \quad (4)$$

۵۹- یک مخزن صلب سر بسته حاوی ۵۰ kg آمونیاک مایع و ۱ kg بخار آب است. حجم ویژه آمونیاک مایع و بخار آب

به ترتیب  $\frac{m^3}{kg}$  ۰/۰۰۱۵ و  $\frac{m^3}{kg}$  ۰/۲۵ است. حجم ویژه مخلوط مایع و بخار بر حسب  $\frac{m^3}{kg}$  کدام است؟

$$0/0064 \quad (1)$$

$$0/0162 \quad (2)$$

$$0/0325 \quad (3)$$

$$0/075 \quad (4)$$

۶۰- در یک سیلندر به قطر ۱۱۰ mm، ۱۰۰ cm<sup>۳</sup> آب به دمای ۶۰°C وجود دارد. پیستونی به جرم ۵۰ kg روی سطح

آب قرار دارد. اگر با گرمایش، دما به ۲۰۰°C برسد، مقدار کار انجام گرفته چند کیلوژول است؟ (حجم ویژه آب در

۶۰°C،  $\frac{m^3}{kg}$  ۰/۰۰۱۰۱۷ و در دمای ۲۰۰°C،  $\frac{m^3}{kg}$  ۱/۴۴۴ است.)

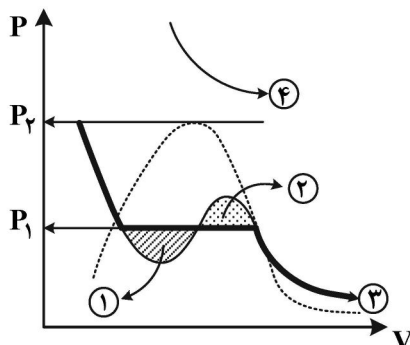
$$25 \quad (4)$$

$$21/5 \quad (3)$$

$$15 \quad (2)$$

$$10/5 \quad (1)$$

۶۱- در مورد نمودارهای زیر کدام مورد، درست است؟



(۱) در نمودار ۴ با دما کمتر از دمای بحرانی است.

(۲) در ناحیه ۲ (بخش نقطه چین) مایع متراکم وجود دارد.

(۳) نمودار پررنگ (شماره ۳) نشان دهنده فرایند هم فشار است.

(۴) در ناحیه ۱ (بخش هاشورخورده) مایع فوق گرم موجود است و تأخیر در تبخیر اتفاق می‌افتد.

۶۲- کدام یک از عبارات زیر، درست است؟

- (۱) وقتی گاز در یک سیلندر - پیستون به‌طور همدم (Isothermal) انبساط می‌یابد، گرما به سیستم انتقال می‌یابد.  
 (۲) در فرایند آدیاباتیکی برگشت‌پذیر، کار انجام‌یافته به مسیر فرایند بستگی دارد.  
 (۳) در فرایند اختناق (Throttling) تغییر انرژی داخلی سیستم صفر است.  
 (۴) انرژی یک خاصیت شدتی (Intensive) است.

۶۳- اگر  $\beta = \frac{1}{V} \left( \frac{\partial V}{\partial T} \right)_P$ ,  $k = -\frac{1}{V} \left( \frac{\partial V}{\partial P} \right)_T$  باشد، مقدار  $\left( \frac{\partial u}{\partial P} \right)_T$  کدام است؟

(۱)  $P(k - \beta)$  (۲)  $V(kP - \beta T)$

(۳)  $(1 - \beta T)u$  (۴)  $\frac{V}{1 - \beta T}$

۶۴- دو موتور کارنو به‌صورت سری بین ۲ مخزن در دماهای ۳۲۷ و ۲۷ درجه سانتی‌گراد کار می‌کنند. انرژی خارج‌شده از موتور اول به موتور دوم وارد می‌شود. اگر راندمان موتور اول ۲۰٪ بیش از موتور دوم باشد، دمای میانی چند درجه سانتی‌گراد است؟

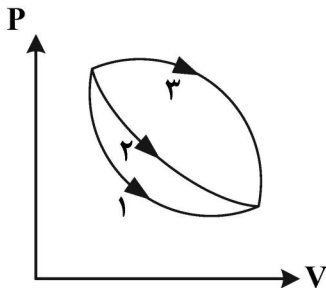
(۱) ۱۰۶

(۲) ۱۳۶

(۳) ۲۴۳

(۴) ۴۰۸

۶۵- جرم معینی از گاز به‌صورت برگشت‌پذیر از حالت A به حالت B می‌رود. این انتقال از ۳ مسیر انجام می‌شود. کدام جمله، درست است؟ ( $w_i$  کار انجام‌شده در مسیر i است.)



(۱)  $w_1 = w_2 = w_3$

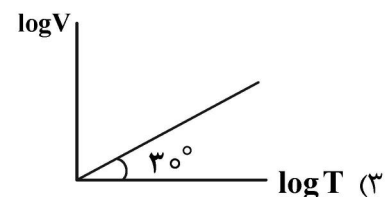
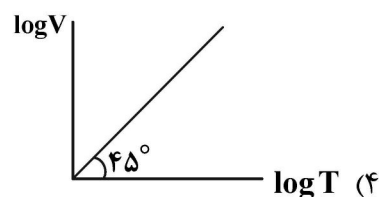
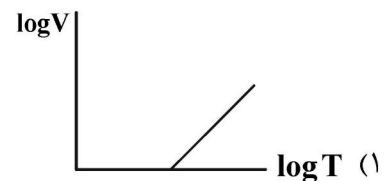
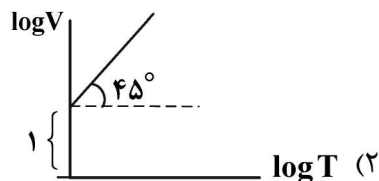
(۲)  $w_3 < w_2 < w_1$

(۳)  $w_1 < w_2 < w_3$

(۴)  $w_2 < w_3 < w_1$

۶۶- برای سیستم بسته‌ای حاوی ۱۰۰ مول گاز ایده‌آل که دارای یک پیستون بدون اصطکاک، بدون وزن و متحرک است، فشار

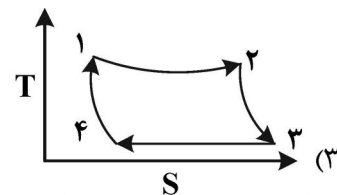
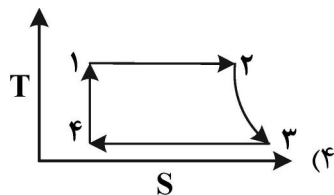
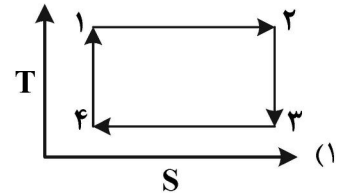
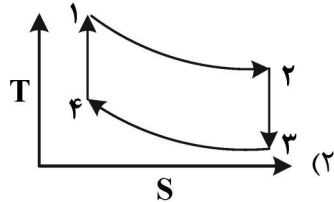
گاز  $\frac{8}{21}$  اتمسفر است. کدام نمودار، تغییر حجم با دما را درست نشان می‌دهد؟ ( $R = 0.0821 \frac{\text{lit. atm}}{\text{mol.K}}$ )



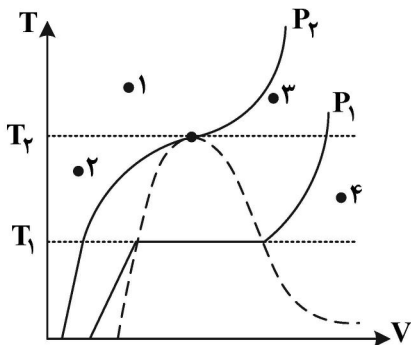
۶۷- ضریب تراکم‌پذیری یک گاز معلوم است ولی دما و فشار آن را نمی‌دانیم. آیا فوگاسیته و ضریب فوگاسیته قابل محاسبه است؟ (معادله حالت گاز با بسط دو جمله‌ای و بریال تخمین زده می‌شود.  $Z = 1 + B'P$ )

- (۱) فوگاسیته آن قابل محاسبه است. (۲) ضریب فوگاسیته آن قابل محاسبه است.  
 (۳) هیچ‌کدام قابل محاسبه نیستند. (۴) هر دو قابل محاسبه هستند.

۶۸- دیاگرام  $T - S$  برای یک چرخه کارنو، کدام یک از اشکال زیر است؟



۶۹- کدام مورد در خصوص شکل زیر، درست است؟



- (۱) نقطه (۱): سیال بحرانی است.  
 (۲) نقطه (۱): مایع متراکم وجود دارد.  
 (۳) نقطه (۲): دما و فشار از دما و فشار بحرانی کمتر است.  
 (۴) نقطه (۳): فشار سیال از فشار بحرانی کمتر و دمای سیال از دمای بحرانی بیشتر است.

۷۰- کدام یک از عبارات زیر، درست است؟

(۱) ضریب ژول - تامسون  $\mu_T = \left(\frac{\partial T}{\partial P}\right)_h$  برای گاز ایده‌آل صفر است.

(۲) در جریان یکنواخت (Steady) از میان حجم کنترل، فشار ثابت است.

(۳) در فرایند اختناق (Throttling) تغییر دما برابر صفر است.

(۴) برای یک فرایند برگشت‌پذیر تغییر آنتروپی سیستم صفر است.

۷۱- در تغییر حالت سیستم از A به B، تغییرات انرژی داخلی  $40 \frac{\text{kJ}}{\text{mol}}$  است. اگر سیستم به روش برگشت‌پذیر از A به B تغییر حالت دهد و به روش برگشت‌ناپذیر به حالت A برگردد، تغییر خالص انرژی داخلی سیستم چند کیلوژول است؟

- (۱) صفر (۲) کمتر از ۴۰ (۳) ۴۰ (۴) بیشتر از ۴۰

۷۲- هوا تحت دما و فشار محیط ( $100 \text{ kPa}$ ) توسط کمپرسوری تا فشار  $400 \text{ kPa}$  متراکم می‌شود. نرخ افزایش

آنتالپی هوای فرایند تراکم  $1200 \frac{\text{kJ}}{\text{s}}$  و نرخ اتلاف گرما از سیستم  $40 \text{ kW}$  است. قدرت مصرفی کمپرسور چند

کیلووات است؟

- (۱) ۳۰۰ (۲) ۶۲۰ (۳) ۱۲۰۰ (۴) ۱۲۴۰



۷۳- کدام مورد در رابطه با «محلول‌های ایده‌آل»، درست است؟

- (۱) تغییر آنتروپی در اثر اختلاط برای آن‌ها وجود دارد.
- (۲) تغییر حجم در اثر اختلاط برای آن‌ها وجود دارد.
- (۳) تغییر آنتالپی در اثر اختلاط برای آن‌ها وجود دارد.
- (۴) فوگاسیته هر ماده در یک محلول ایده‌آل متناسب با غلظت آن در محلول ایده‌آل نیست.

۷۴- کدام یک، حجم کنترل حساب می‌شود؟

- (۱) پرواز بالن
  - (۲) پرکردن تانکر کم باد
  - (۳) تراکم گازها در سیلندر
  - (۴) تراکم مخلوطی از هوا و سوخت در سیلندر
- ۷۵- از میان لوله مدوری که سطح مقطع از انتهای ورودی تا انتهای خروجی به‌طور یکنواخت بزرگ‌تر می‌شود مایعی ( $\rho = \text{const.}$ ) با جریان یکنواخت عبور می‌کند. قطر خروجی لوله دو برابر قطر ورودی آن است و بدنه لوله با مواد عایق حرارتی کاملاً پوشانیده شده است. چنانچه سرعت سیال در ورود به لوله  $2 \frac{\text{m}}{\text{s}}$  باشد، تغییر آنتالپی سیال

چند  $\frac{\text{kJ}}{\text{kg}}$  است؟

- (۱) ۰/۹۲۵
- (۲) ۱/۲۵
- (۳) ۱/۸۷۵
- (۴) ۳/۷۵

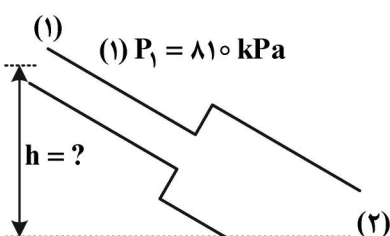
مکانیک سیالات و انتقال حرارت:

۷۶- در آزمایش سقوط آزاد یک گوی فلزی درون یک ستون روغن، اگر قطر کره را دو برابر کنیم، سرعت حد در ناحیه استوکس چند برابر می‌شود؟

- (۱)  $\frac{1}{2}$
- (۲) ۲
- (۳) ۴
- (۴) ۸

۷۷- در شکل زیر سیالی با چگالی  $900 \frac{\text{kg}}{\text{m}^3}$  درون لوله در حال حرکت است. اختلاف ارتفاع بین نقاط (۱) و (۲) چند

متر باشد تا سیال بتواند از نقطه (۱) به (۲) جریان یابد؟ (افت فشار طی این مسیر را برابر  $15 \frac{v_2^2}{2g}$  در نظر گرفته و



$P_2 = 2430 \text{ kPa}$

$D_2 = 2D_1$

مقدار  $g = 10 \frac{\text{m}}{\text{s}^2}$  قرار دهید.)

- (۱) ۱۰۰
- (۲) ۱۸۰
- (۳) به دلیل مشخص نبودن قطر قابل محاسبه نیست.
- (۴) به دلیل مشخص نبودن دبی قابل محاسبه نیست.

۷۸- برای اندازه‌گیری سرعت سیال از درون یک لوله، از وسیله Pitot-Static tube استفاده شده است. اختلاف فشار اندازه‌گیری شده توسط لوله پیتوت برابر با  $12/5$  کیلوپاسکال است. اگر سیال عبوری آب باشد، با فرض اینکه ضریب تصحیح سرعت برابر با ۱ است، سرعت جریان سیال چند متر بر ثانیه است؟

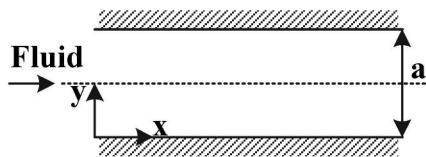
(۱) ۱۵

(۲)  $12/5$

(۳) ۵

(۴)  $\sqrt{2}$

۷۹- سیال نیوتنی بین دو صفحه موازی بزرگ و ساکن مطابق شکل با الگوی جریان آرام در حال حرکت است. اگر فاصله بین دو صفحه دو برابر شود، با فرض ثابت ماندن گرادیان فشار در راستای  $x$  و باقیماندن الگوی جریان آرام، دبی و تنش برشی روی دیواره به ترتیب از راست به چپ چند برابر می‌شوند؟



(۱)  $2 - 8$

(۲)  $\frac{1}{2} - 2$

(۳) ثابت - ثابت

(۴) قابل محاسبه نیست - ثابت

۸۰- در انتقال سیال از نقطه A به نقطه B، انقباض ناگهانی لوله رخ داده است. با در نظر گرفتن اطلاعات زیر مقدار افت فشار ناشی از این انقباض چند متر است؟ (سرعت سیال و سطح مقطع لوله با قطر کمتر به ترتیب  $5 \frac{m}{s}$  و  $2 m^2$  و

سطح مقطع Vena-contracta برابر  $1 m^2$  باشد و شتاب ثقل برابر  $10 \frac{m}{s^2}$  در نظر گرفته شود).

(۱) ۴

(۲)  $2/5$

(۳) ۲

(۴)  $1/25$

۸۱- افت فشار درون یک لوله به طول ۱۰۰ متر، به قطر ۱ متر و با فرض ضریب اصطکاک  $0/02$  که روی این خط یک

عدد زانو ( $k = 0/8$ )، یک شیر توپی ( $k = 10$ ) و یک شیر دروازه‌ای ( $k = 1/2$ ) قرار دارد، چند برابر  $\frac{v^2}{2g}$  است؟

(۱) ۲

(۲) ۴

(۳) ۱۰

(۴) ۱۴

۸۲- کدام یک از موارد زیر برای جریان متلاطم درون یک لوله درست است؟

(۱) با افزایش عدد رینولدز ضخامت زیر لایه ویسکوز ثابت باقی می‌ماند.

(۲) با افزایش عدد رینولدز ضخامت زیر لایه ویسکوز کاهش می‌یابد.

(۳) با افزایش عدد رینولدز ضخامت زیر لایه ویسکوز افزایش می‌یابد.

(۴) امکان اظهار نظر با توجه به داده‌های مسئله وجود ندارد.

۸۳- در هنگام استفاده از نمودار مودی برای محاسبه ضریب اصطکاک لوله‌هایی با سطح مقطع غیردایره‌ای شکل، کدام یک از موارد زیر درست است؟

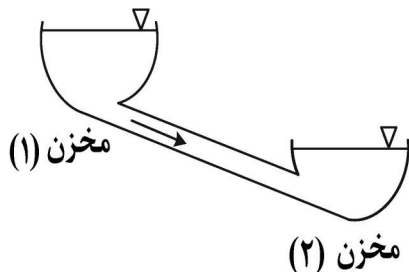
(۱) ابتدا عدد  $Re$  و  $\frac{\epsilon}{D}$  را برحسب قطر هیدرولیک محاسبه کرده و سپس از نمودار مودی ضریب اصطکاک را به دست می‌آوریم.

(۲) با داشتن عدد  $Re$  و  $\frac{\epsilon}{D}$  برای لوله دایره‌ای شکل ضریب اصطکاک را به دست آورده و سپس به نسبت قطر هیدرولیک آن را اصلاح می‌کنیم.

(۳) با داشتن عدد  $Re$  و  $\frac{\epsilon}{D}$  برای لوله دایره‌ای شکل، ضریب اصطکاک را به دست می‌آوریم.

(۴) نمودار مودی فقط برای لوله‌های دایره‌ای شکل قابل استفاده است.

۸۴- در جریان یک سیال نیوتنی بین دو مخزن (۱) و (۲)، اگر قطر لوله ۴ برابر شود با فرض اینکه در ابتدا جریان متلاطم بوده و پس از افزایش قطر نیز متلاطم باقی بماند و با ثابت در نظر گرفتن افت فشار ناشی از اصطکاک درون لوله، دبی جریان چند برابر می‌شود؟



(۱) ۲

(۲) ۸

(۳) ۱۶

(۴) ۳۲

۸۵- یک سیال نیوتنی با الگوی جریان آرام از درون یک لوله افقی در حال عبور است. با اضافه نمودن ماده دومی، ویسکوزیته سیال دو برابر می‌شود. با فرض آرام بودن الگوی جریان و ثابت ماندن دبی جریان، اگر قطر عبوری

جریان (لوله)  $\frac{1}{3}$  گردد، افت فشار در واحد طول لوله چند برابر خواهد شد؟

(۱) ۱۶۲

(۲) ۸۱

(۳) ۱۸

(۴) ۹

۸۶- کدام یک از موارد زیر درست است؟

(۱) استفاده از مفهوم مقاومت گرمایی تنها برای مسائل پایا کاربرد دارد.

(۲) با افزایش ضریب جابه‌جایی، نرخ انتقال حرارت از فین، بازده فین و کارایی فین کاهش می‌یابد.

(۳) با افزایش شعاع یک لوله، استفاده از عایق گرمایی به منظور کاهش اتلاف گرما منطقی‌تر شده و کارایی بیشتری دارد.

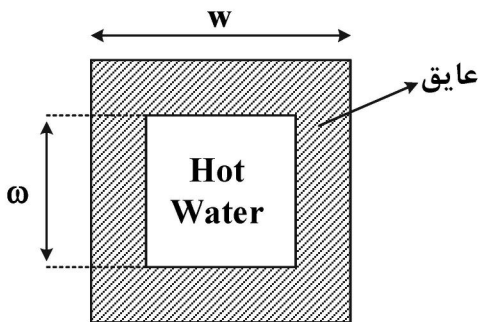
(۴) استفاده از قانون فوریه تنها برای محاسبه نرخ انتقال حرارت هدایتی در مواد جامد کاربرد دارد و برای مایعات و گازها از

قانون دیگری باید استفاده کرد.

۸۷- ضخامت بحرانی عایق به شکل پوسته مربعی که برای کاهش اتلاف حرارت از کانال‌هایی با مقطع مربع شکل استفاده می‌گردد، کدام است؟

راهنمایی: ضریب شکل یک پوسته مربع توخالی مشابه شکل که دارای طول  $L$ ، ضلع خارجی  $w$ ، ضلع داخلی  $\omega$  و

ضریب هدایت  $k$  است، از رابطه  $s = \frac{\lambda L}{\ln\left(\frac{w}{\omega}\right)}$  تعیین می‌گردد.



$$\frac{k}{h} - \frac{w}{2} \quad (1)$$

$$\frac{k}{h} - \frac{w}{4} \quad (2)$$

$$\frac{2k}{h} - \frac{w}{2} \quad (3)$$

$$\frac{2k}{h} - \frac{w}{4} \quad (4)$$

۸۸- توزیع دما در حالت دائم، یک بعدی و با منبع حرارتی در یک جداره ساده به ضخامت  $L$  و ضریب هدایت حرارتی  $k$

به صورت  $T = C_1 x^3 + C_2 x^2 + C_3$  است. اگر دمای دو طرف دیوار  $T_1$  و  $T_2$  باشد، میزان انتقال حرارت بر واحد

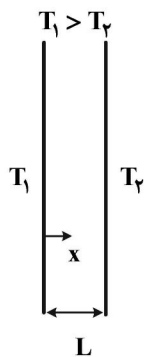
سطح از این دیوار کدام است؟

$$k(T_1 - T_2)/L \quad (1)$$

$$-2k(3C_1 L + C_2) \quad (2)$$

$$k(3C_1 L^2 + 2C_2 L) \quad (3)$$

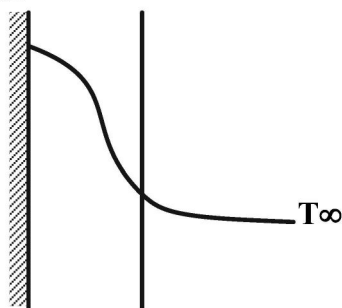
$$-k(3C_1 L^2 + 2C_2 L) \quad (4)$$



۸۹- توزیع دما در حالت غیردائم در یک دیوار به صورت زیر است. کدام پاسخ در مورد عدد بایوت (Bi) و

روش حل درست است؟

عایق



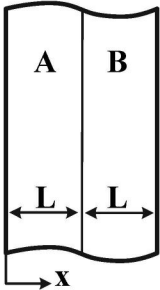
(۱)  $Bi \ll 1$  و از روش ظرفیت کلی می‌توان استفاده کرد.

(۲)  $Bi \gg 1$  و از روش ظرفیت کلی نمی‌توان استفاده کرد.

(۳)  $Bi \gg 1$  و از روش ظرفیت کلی می‌توان استفاده کرد.

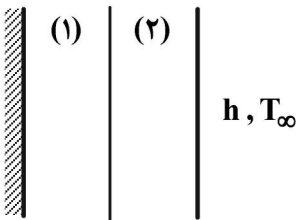
(۴)  $Bi \approx 1$  و از روش ظرفیت کلی نمی‌توان استفاده کرد.

- ۹۰- انتقال حرارت پایا و یک بعدی دیواره‌های A و B را در نظر بگیرید. ضریب هدایت حرارتی جسم A برابر  $k_A$  و تولید حرارت در آن به صورت  $C_0 k_A \sin\left(\frac{\pi x}{L}\right)$  و ضریب هدایت حرارتی جسم B برابر  $k_B = \frac{k_A}{4}$  و تولید حرارت در آن به صورت  $C_0 k_B \sin\left[\pi\left(1 - \frac{x}{L}\right)\right]$  بوده که  $C_0 \left(\frac{K}{m^2}\right)$  مقدار ثابتی است. اگر مقدار انتقال حرارت از سطوح خارجی A و B یکسان باشد، شار حرارتی در سطح مشترک آنها کدام است؟



- (۱) صفر  
 (۲)  $\frac{3C_0 L}{\pi} k_A$   
 (۳)  $\frac{3C_0 L}{\pi} k_B$   
 (۴)  $\frac{C_0 L}{\pi} k_B$

- ۹۱- دو صفحه با ابعاد بزرگ و ضخامت محدود مطابق شکل در مجاورت یکدیگر قرار دارند. این دو صفحه با خواص ثابت از یک طرف عایق بوده، از سمت دیگر در معرض سیالی با دمای  $T_\infty$  و ضریب جابه‌جایی  $h$  قرار دارند. دمای صفحات نیز  $T_\infty$  است. اگر در صفحه (۱) ناگهان تولید حرارت حجمی  $u'''$  برقرار شود، تغییرات دما با مکان در این دو صفحه در مدت کوتاهی پس از آن چگونه خواهد شد؟

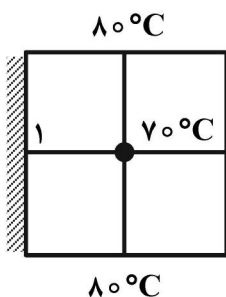


- (۱) در هر دو صفحه غیرخطی  
 (۲) در هر دو صفحه خطی  
 (۳) در صفحه (۱) غیرخطی و در صفحه (۲) خطی  
 (۴) در صفحه (۱) خطی و در صفحه (۲) غیرخطی

- ۹۲- صفحه‌ای عمودی با دمای ثابت  $T_o$  دو گاز ایده‌آل ۱ و ۲ را از یکدیگر جدا کرده است. از این صفحه انتقال حرارت جابه‌جایی طبیعی به این گازها صورت می‌گیرد. رابطه ضریب تراکم‌پذیری این گازها به صورت  $\beta_p = a\beta_1$  است که در آن  $a$  ثابت است. چنانچه عدد رایلی در دو طرف صفحه با هم برابر باشد و  $Nu = cRa^n$  (که  $n$  و  $c$  ثابت هستند) نسبت شارهای حرارتی دو سمت صفحه  $\frac{q_1}{q_2}$  کدام است؟ (ک ضریب هدایت حرارتی و  $T_\infty$  دمای گاز است).

- (۱)  $\frac{k_2}{k_1}$   
 (۲)  $\frac{k_1}{k_2}$   
 (۳)  $\frac{k_2 T_o - T_{\infty 1}}{k_1 T_o - a T_{\infty 1}}$   
 (۴)  $\frac{k_1 T_o - T_{\infty 1}}{k_2 T_o - \frac{T_{\infty 1}}{a}}$

- ۹۳- دمای گره ۱ در دیوار زیر که ضریب هدایت حرارتی آن  $10 \frac{W}{m^{\circ}C}$  است، چند درجه سلسیوس است؟ (در این دیوار،



- حرارتی معادل  $4 \times 10^5 \frac{W}{m^3}$  تولید می‌شود. مقدار  $\Delta x = \Delta y = 5cm$  است.)

- (۱) ۹۵  
 (۲) ۱۰۰  
 (۳) ۱۰۴  
 (۴) ۱۱۰

۹۴- سیالی بر روی صفحه‌ای جریان دارد. چنانچه پروفیل سرعت  $\frac{u}{u_\infty} = \frac{y}{\delta}$  باشد که  $\delta$  ضخامت لایه مرزی

هیدرودینامیکی است، معادله لایه مرزی هیدرودینامیکی به صورت تابعی از عدد رینولدز کدام است؟

$$\delta = \sqrt{12} \operatorname{Re}^{\frac{1}{2}}.x \quad (1)$$

$$\delta = \sqrt{12} \operatorname{Re}^{-\frac{1}{2}}.x \quad (2)$$

$$\delta = \sqrt{18} \operatorname{Re}^{-\frac{1}{2}}.x \quad (3)$$

$$\delta = \sqrt{24} \operatorname{Re}^{-\frac{1}{2}}.x \quad (4)$$

۹۵- سیالی روی صفحه‌ای در حال حرکت است به نحوی که  $Nu = c \operatorname{Re}^{\circ/4}$ . نسبت ضریب جابه‌جایی میانگین روی این صفحه به ضریب جابه‌جایی در  $x = L$ ، کدام است؟

$$\frac{2}{3} \quad (1)$$

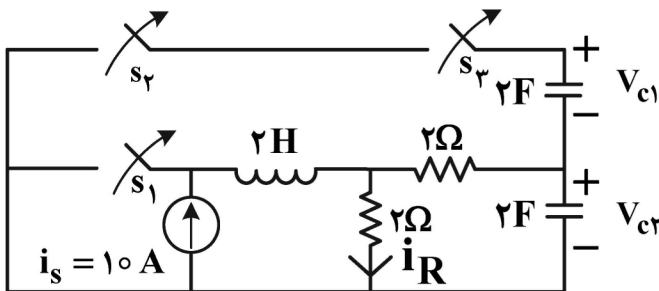
$$\frac{3}{2} \quad (2)$$

$$2 \quad (3)$$

$$\frac{5}{2} \quad (4)$$

مدارهای الکتریکی (۱ و ۲):

۹۶- در مدار شکل زیر مقادیر اولیه به صورت:  $V_{c1}(0) = V_{c2}(0) = 10 \text{ V}$ ,  $i_L(0) = 10 \text{ A}$  و در  $t = 0$  تمام کلیدها باز می‌شوند. معادله  $i_R(t)$  برای  $t \geq 0$  کدام است؟



$$10 - 2/5 e^{-0/125t} \quad (1)$$

$$4e^{-0/5t} + 2e^{-0/4t} \quad (2)$$

$$e^{-0/5t} (\Delta \cos 2t + 3 \sin 2t) \quad (3)$$

$$e^{-0/6t} (\lambda + 12t) \quad (4)$$

۹۷- در کدام یک از مدارهای زیر استفاده از قوانین جریان و ولتاژ کیرشهف خطای بیشتری دارد؟

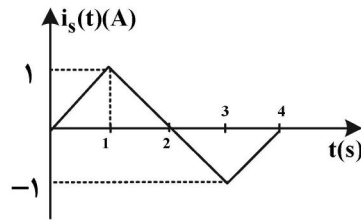
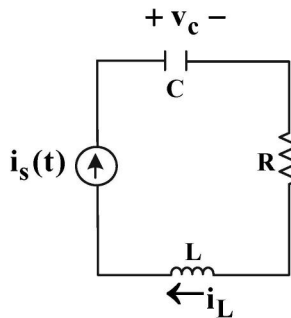
(۱) مدار مخابراتی به طول  $10^6$  سانتی‌متر و فرکانس  $500$  کیلوهرتز

(۲) خط انتقال نیرو به طول  $10^6$  کیلومتر و فرکانس  $50$  هرتز

(۳) مدار الکترونیکی به طول  $1$  متر و فرکانس  $100$  مگاهرتز

(۴) برای هر سه مدار دقت یکسان است.

۹۸- میزان انرژی که منبع جریان  $i_s(t)$  در فاصله زمانی بین صفر تا ۳ ثانیه به مدار زیر می‌دهد، چند وات است؟



$$R = 100\Omega, L = 10H, C = 10mF$$

$$v_c(0) = 100V$$

$$i_L(0) = 0A$$

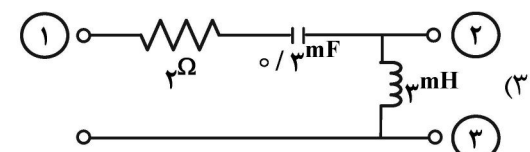
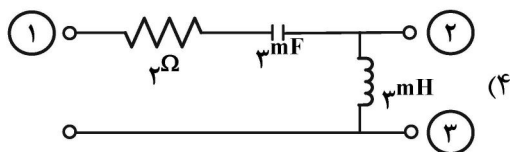
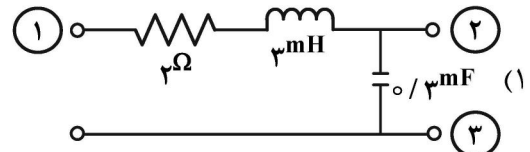
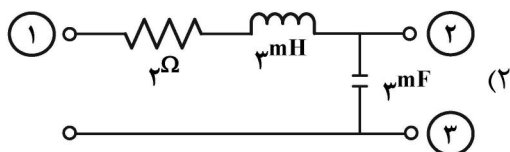
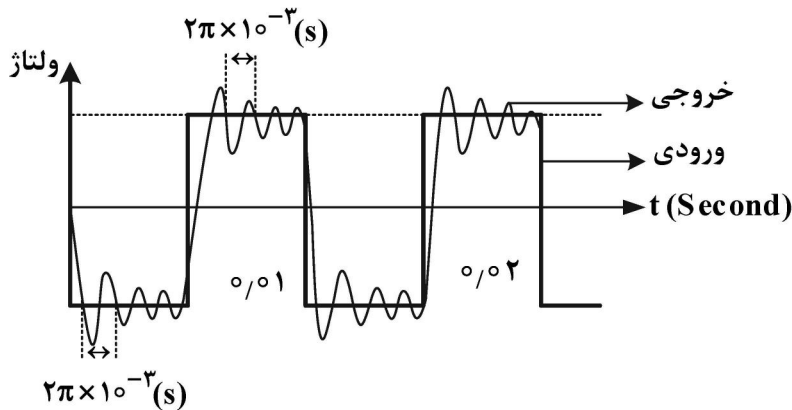
۱۶۷/۵ (۴)

۱۱۲/۵ (۳)

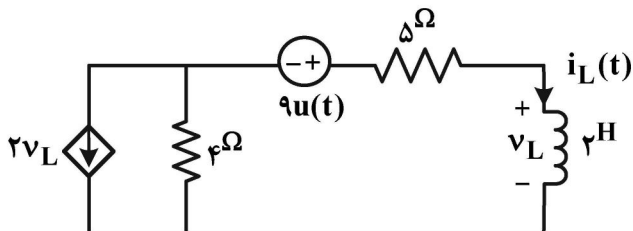
۱۰۰ (۲)

۶۲/۵ (۱)

۹۹- منبع ولتاژ موج مربعی با فرکانس ۱۰۰ Hz را به پایانه ۱ به یکی از مدارهای زیر اعمال می‌کنیم و شکل موج ولتاژ خروجی را از دو سر ۲ و ۳ مطابق شکل زیر مشاهده می‌کنیم. شکل مدار موردنظر کدام است؟



۱۰۰- در مدار زیر  $i_L(t)$  برای  $t > 0$  کدام است؟ (در زمان‌های منفی، مدار در حالت صفر است.)



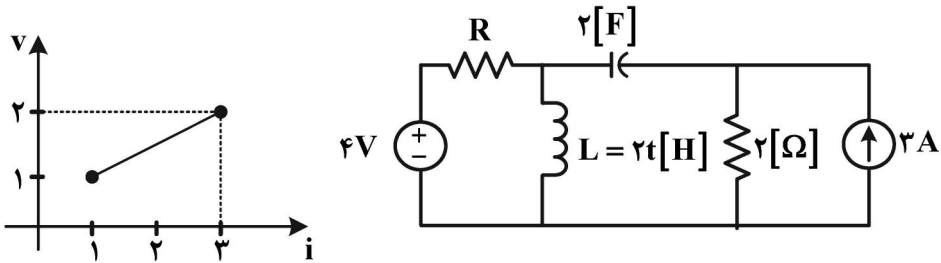
$$2 - e^{-\frac{t}{2}} \quad (1)$$

$$1 - e^{-\frac{t}{2}} \quad (2)$$

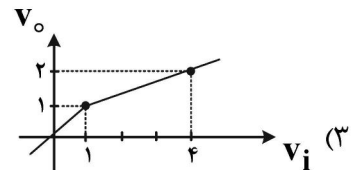
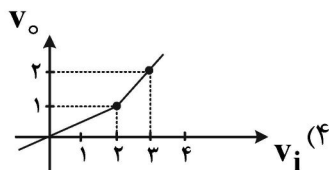
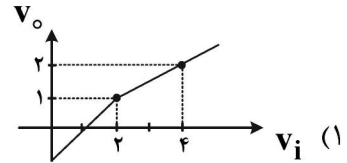
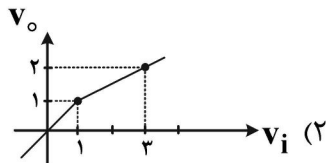
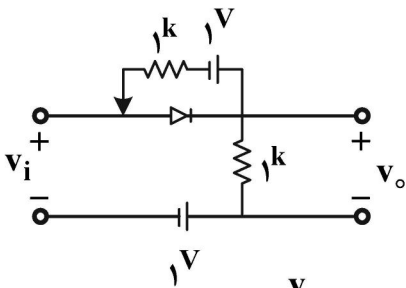
$$-e^{-\frac{t}{2}} \quad (3)$$

$$1 - 2e^{-t} \quad (4)$$

۱۰۱- در مدار زیر مشخصه مقاومت R به صورت زیر نشان داده شده است. کدام عبارت در مورد این مدار درست است؟

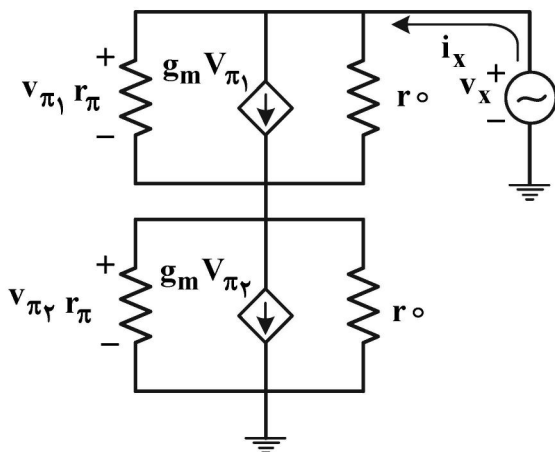


- (۱) این مدار خطی است اما نمی توان پاسخ ضربه را از مشتق پاسخ پله به دست آورد.
  - (۲) این مدار خطی است و پاسخ ضربه را می توان از مشتق پاسخ پله به دست آورد.
  - (۳) این مدار غیرخطی است و پاسخ ضربه را نمی توان از مشتق پاسخ پله به دست آورد.
  - (۴) این مدار غیرخطی است اما می توان پاسخ ضربه را از مشتق پاسخ پله به دست آورد.
- ۱۰۲- مشخصه  $v_o - v_i$  مدار دیودی زیر کدام است؟ (دیود ایده آل فرض شود).



۱۰۳- در مدار زیر، نسبت  $\frac{v_x}{i_x}$  تقریباً کدام است؟

$$r_{\pi} = 2/5 \text{ k}\Omega, g_m = 40 \frac{\text{mA}}{\text{V}}, r_o = 100 \text{ k}\Omega$$

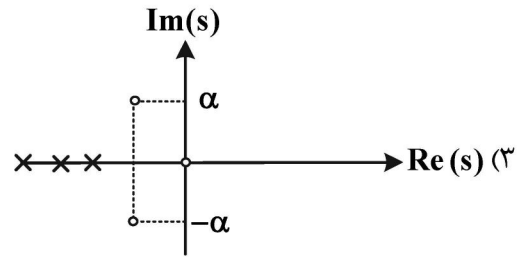
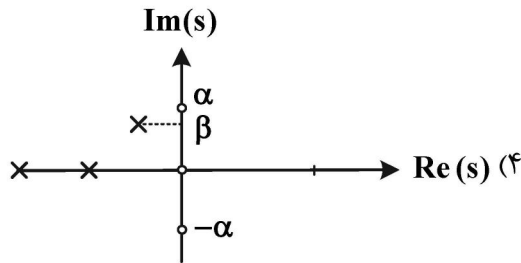
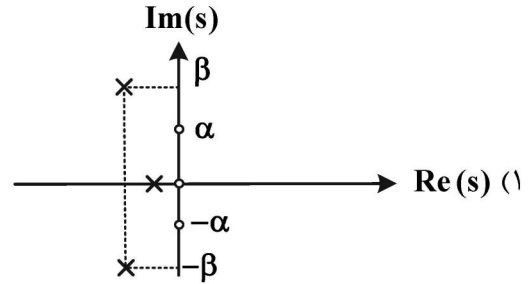
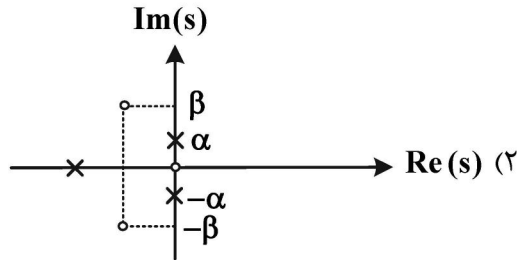
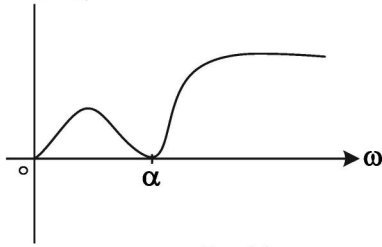


- (۱) ۲۰۰ kΩ
- (۲) ۵۰ Ω
- (۳) ۵ kΩ
- (۴) ۱۰۰ Ω

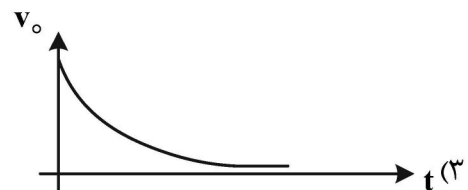
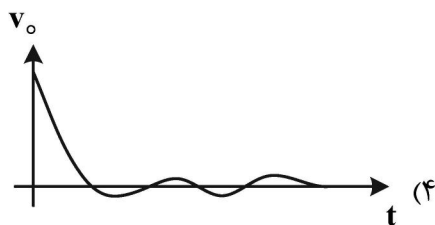
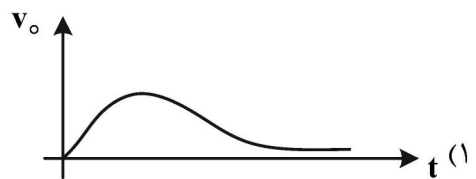
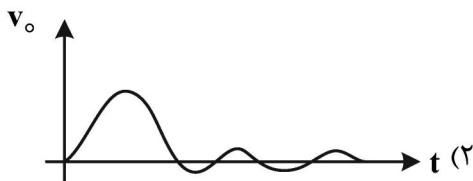
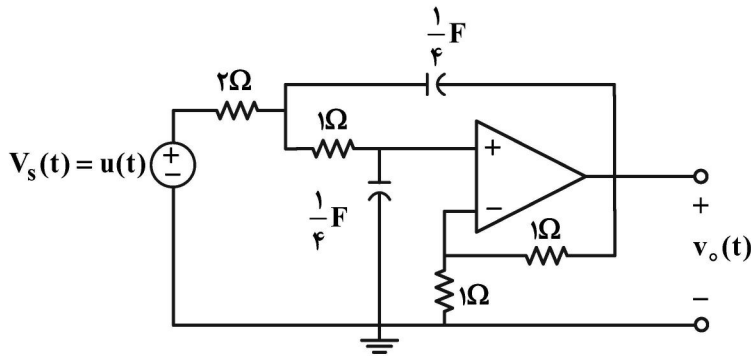


۱۰۴- دیاگرام اندازه تابع تبدیل شبکه فیزیکی در  $0 \leq \omega \leq \infty$  رسم شده است. دیاگرام قطب و صفر شبکه مذکور با حداقل تعداد قطب و صفر به کدام نمودار نزدیکتر است؟

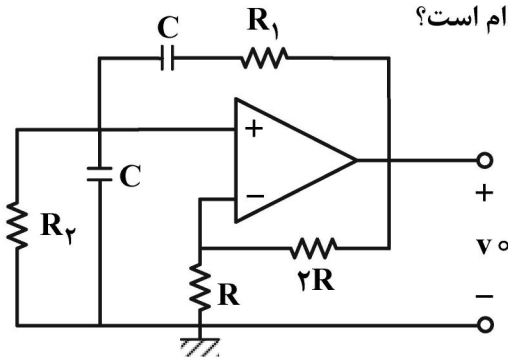
$|H(j\omega)|$



۱۰۵- در مدار زیر منحنی تغییرات خروجی  $v_o(t)$  به کدام صورت است؟ (تقویت کننده عملیاتی را ایده آل فرض کنید).



۱۰۶- مدار زیر تحت چه شرایطی نوسان می‌کند و فرکانس نوسان آن کدام است؟



(۱)  $\omega = \frac{1}{2R_1C}$  ,  $R_1 = R_2$

(۲)  $\omega = \frac{1}{R_1C}$  ,  $R_1 = 2R_2$

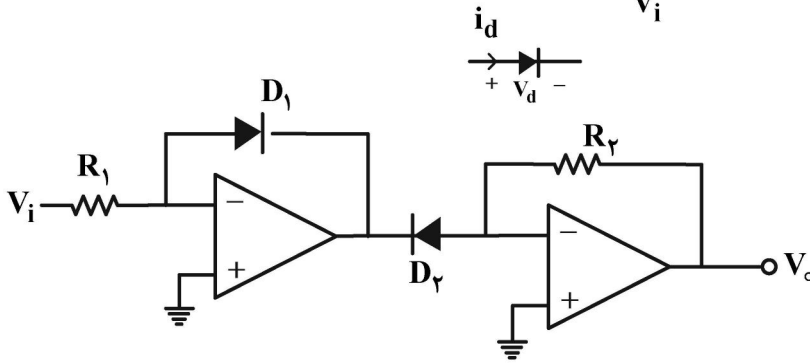
(۳)  $\omega = \frac{1}{R_1C}$  ,  $R_1 = R_2$

(۴)  $\omega = \frac{1}{2R_1C}$  ,  $R_1 = 2R_2$

۱۰۷- مشخصه غیر خطی یک دیود به صورت زیر داده شده است:

$i_d = I_s e^{\alpha v_d}$

در مدار زیر با فرض ایده‌آل بودن آپ امپ، نسبت  $\frac{v_o}{v_i}$  کدام است؟



(۱)  $\ln \frac{R_2}{R_1}$

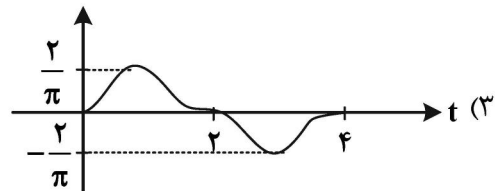
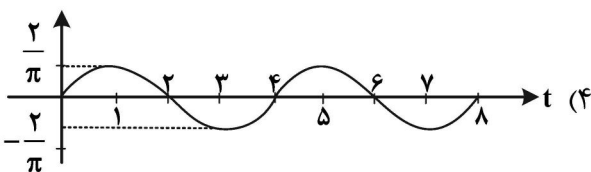
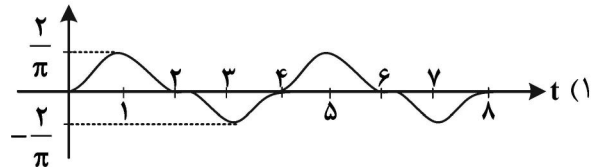
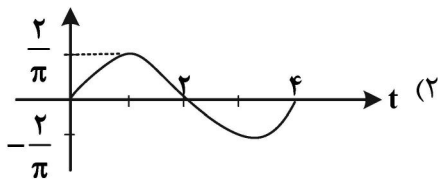
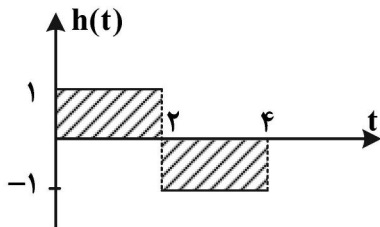
(۲)  $\frac{R_2}{R_1}$

(۳)  $R_2 \ln \frac{1}{R_1}$

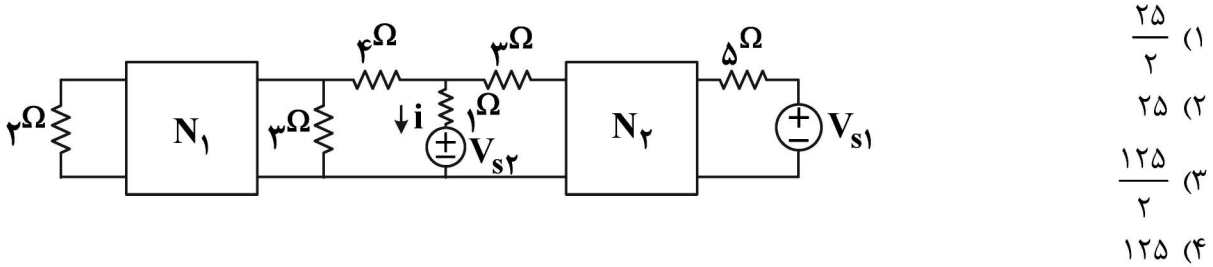
(۴)  $R_2 R_1$

۱۰۸- پاسخ به ورودی ضربه واحد یک مدار خطی تغییرناپذیر با زمان  $h(t)$  مطابق شکل داده شده است. پاسخ حالت

صفر این مدار به ورودی  $(\sin \pi t)u(t)$ ، کدام است؟

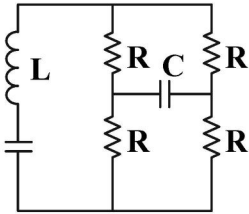


۱۰۹- در مدار زیر  $N_1$  و  $N_2$  مدارهای مقاومتی خطی و بدون منابع ناپسته هستند. برای  $v_{s1} = 1 + 2 \cos t$  و  $v_{s2} = \sin t$  به دست آمده است:  $i = 7 + 4 \cos t$ ، برای  $v_{s1} = 0$  و  $v_{s2} = \sin t$  توان متوسط مقاومت ۵ اهمی چند وات است؟



- (۱)  $\frac{25}{2}$
- (۲) ۲۵
- (۳)  $\frac{125}{2}$
- (۴) ۱۲۵

۱۱۰- در مدار زیر مقدار R را بر حسب L و C چنان بیابید که مدار دارای ۳ فرکانس طبیعی یکسان باشد. مقدار این فرکانس طبیعی کدام است؟



(۲)  $R = 2\sqrt{\frac{2L}{C}}$  ,  $S = \frac{-1}{\sqrt{2LC}}$

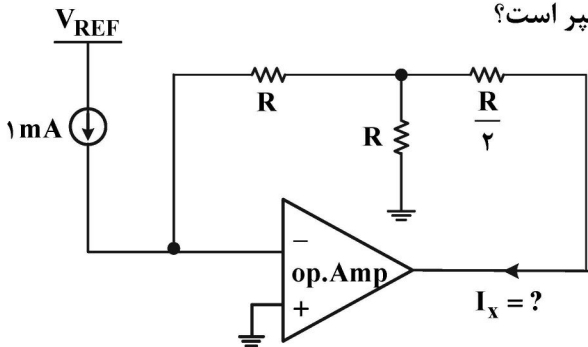
(۱)  $R = 2\sqrt{\frac{L}{C}}$  ,  $S = \frac{-1}{\sqrt{LC}}$

(۳)  $R = 2\sqrt{\frac{2L}{C}}$  ,  $S = \frac{-2}{\sqrt{LC}}$

(۴) هرگز امکان پذیر نیست.

الکترونیک (۲۰):

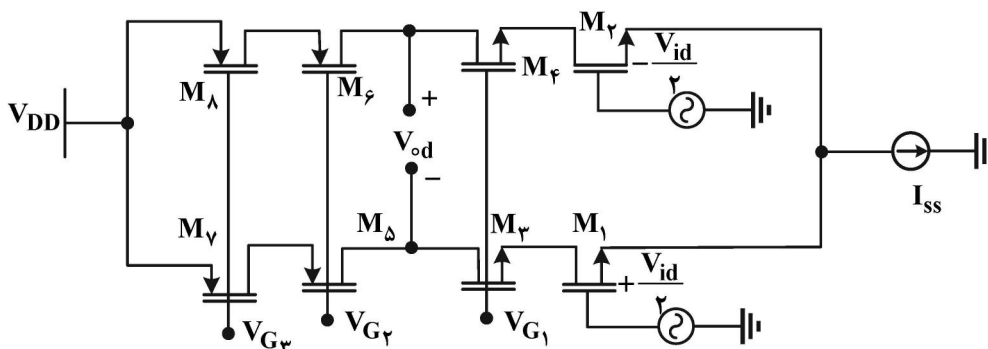
۱۱۱- با فرض ایده آل بودن اپامپ، مقدار جریان  $I_x$  چند میلی آمپر است؟



- (۱) ۰/۵
- (۲) ۱
- (۳) ۲
- (۴) ۳

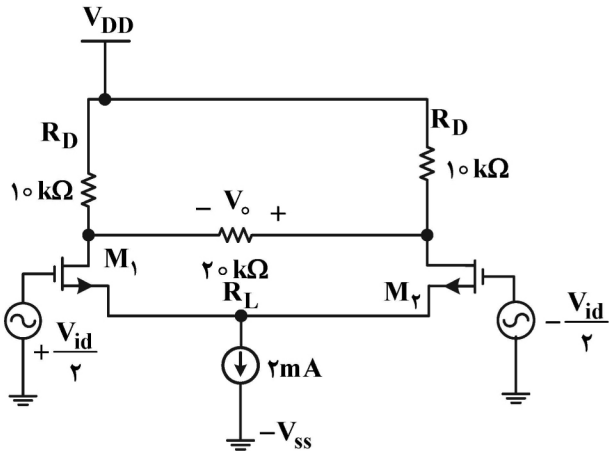
۱۱۲- بهره تفاضلی مدار زیر کدام است؟

( $r_{o\delta} = r_{o\gamma} = 200 \text{ k}\Omega$  ,  $r_{o1} = r_{o3} = 100 \text{ k}\Omega$  ,  $g_{m3} = 4 \frac{\text{mA}}{\text{V}}$  ,  $g_{m1} = 1 \frac{\text{mA}}{\text{V}}$  ,  $g_{m\delta} = 1/5 \frac{\text{mA}}{\text{V}}$ )



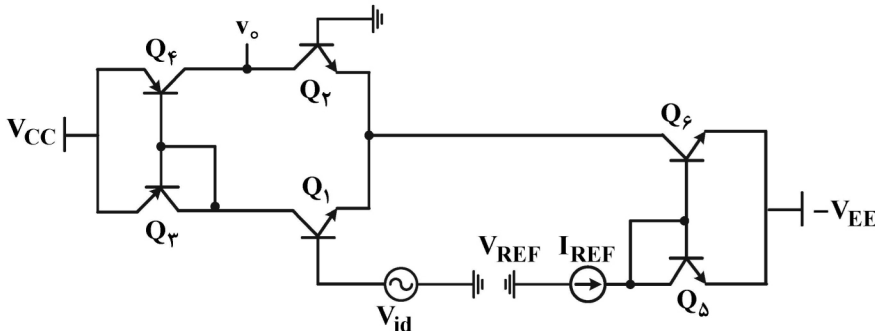
- (۱)  $1/2 \times 10^4$
- (۲)  $2/4 \times 10^4$
- (۳)  $3 \times 10^4$
- (۴)  $6 \times 10^4$

۱۱۳- در شکل زیر ترانزیستورها یکسان هستند. مقاومت خروجی درین  $r_o = 100\text{ k}\Omega$  و  $\mu_n C_{ox} \frac{W}{L} = 0.5 \frac{\text{mA}}{\text{V}^2}$  است. بهره تفاضلی مدار کدام است؟



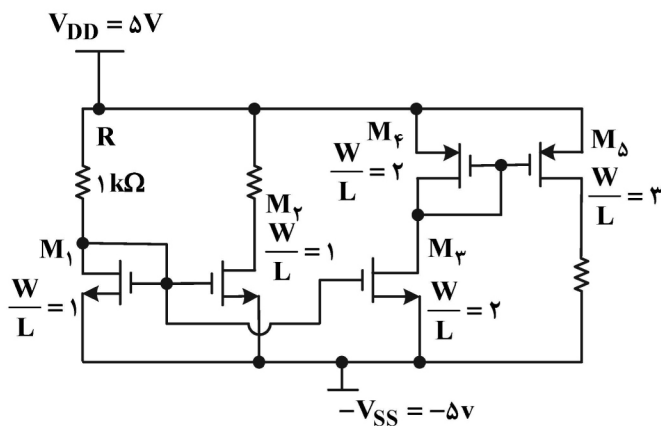
- (۱) ۴/۷۶
- (۲) ۵
- (۳) ۹/۸
- (۴) ۱۰

۱۱۴- در شکل زیر همه ترانزیستورها یکسان هستند. ولتاژ ارلی  $V_A = 100\text{ V}$  و ولتاژ حرارتی  $V_T = 25\text{ mV}$  است. بهره تفاضلی مدار کدام است؟



- (۱) ۵۰۰
- (۲) ۱۰۰۰
- (۳) ۱۵۰۰
- (۴) ۲۰۰۰

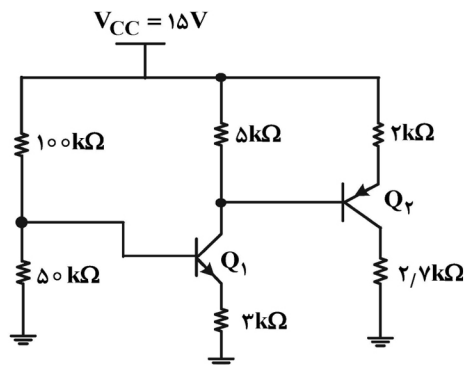
۱۱۵- در شکل زیر همه ترانزیستورها در حالت اشباع کار می کنند. مقدار جریان درین ماسفت  $M_\Delta$  چند میلی آمپر



است؟ ( $V_{th} = 1\text{ V}$  و  $\mu_n C_{ox} = 2 \frac{\text{mA}}{\text{V}^2}$  است.)

- (۱) ۶/۴۶
- (۲) ۹/۶۹
- (۳) ۱۲/۹۲
- (۴) ۱۹/۳۸

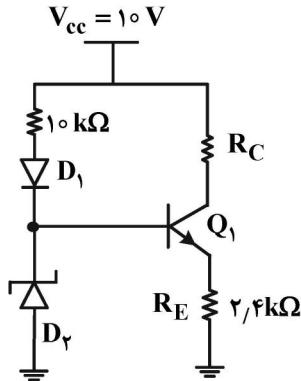
۱۱۶- در شکل زیر برای همه ترانزیستورها  $|V_{BE,on}| = 0.5\text{ V}$  و مقدار  $\beta$  بسیار بزرگ است. مقدار جریان کلکتور



ترانزیستور  $Q_2$  چند میلی آمپر است؟

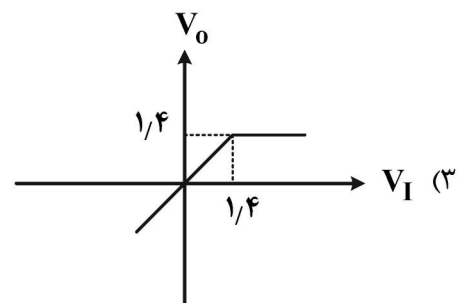
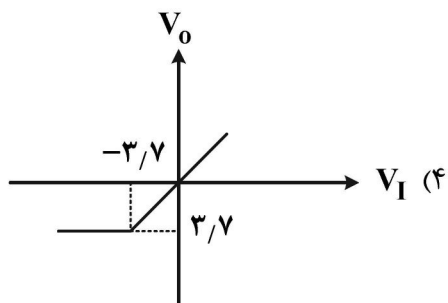
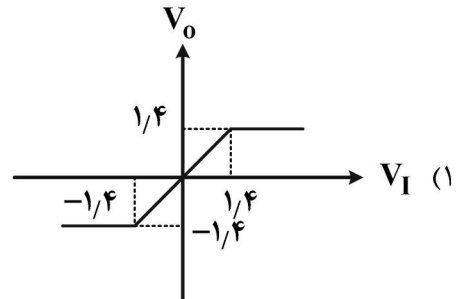
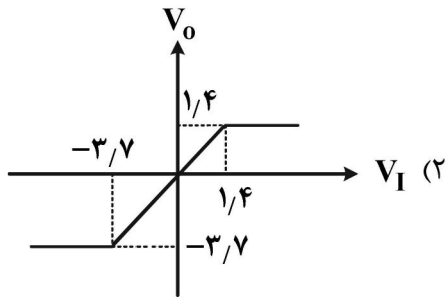
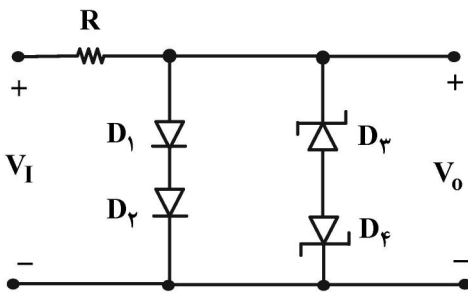
- (۱) ۱/۵
- (۲) ۲
- (۳) ۳/۵
- (۴) ۴

۱۱۷- در شکل زیر ولتاژ آستانه هدایت همه دیودها  $0.7V$  و ولتاژ شکست دیود زبر  $3V$  است. مقدار دقیق جریان کلکتور ترانزیستور چند میلی آمپر است؟

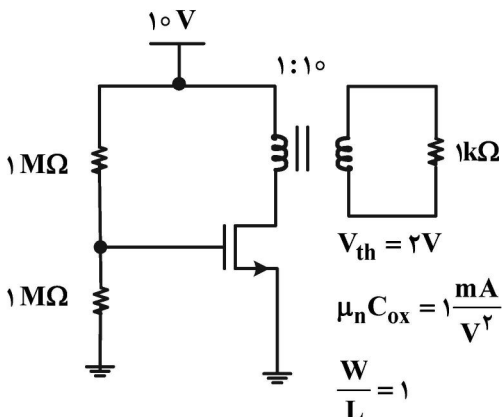


- (۱)  $0.9$
- (۲)  $1$
- (۳)  $1.1$
- (۴)  $1.25$

۱۱۸- در شکل زیر ولتاژ آستانه هدایت همه دیودها  $0.7V$  و ولتاژ شکست دیودهای زبر  $3V$  است. کدام شکل، مشخصه ورودی - خروجی مدار را نشان می دهد؟

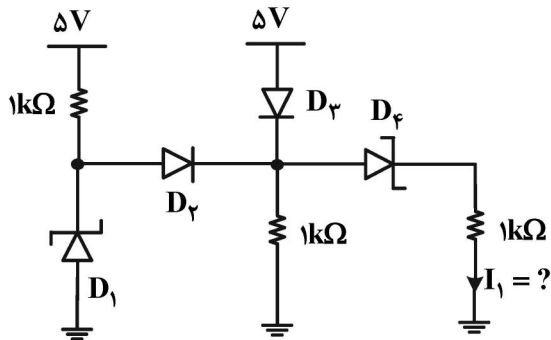


۱۱۹- نقطه کار DC ماسفت در مدار زیر کدام است؟



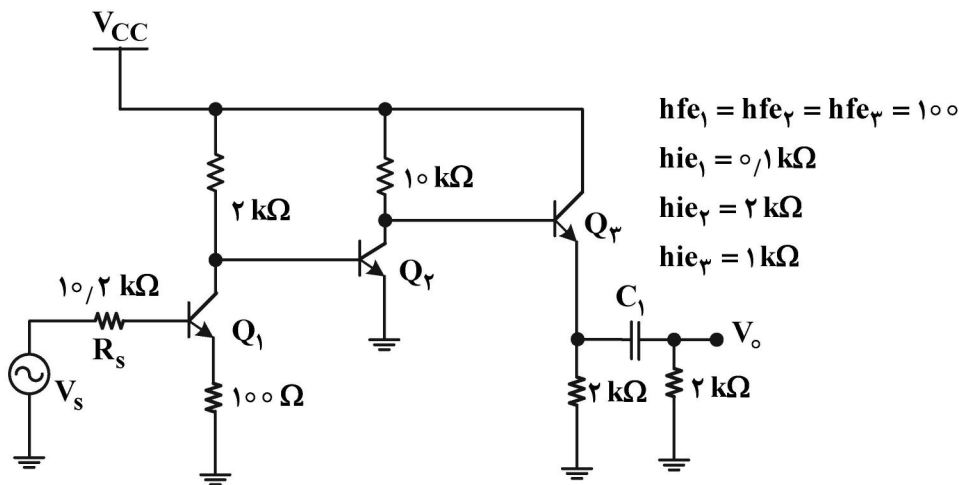
- (۱)  $I_D = 4.5mA$  ,  $V_{DS} = 5.5V$
- (۲)  $I_D = 9mA$  ,  $V_{DS} = 10V$
- (۳)  $I_D = 4.5mA$  ,  $V_{DS} = 10V$
- (۴)  $I_D = 9mA$  ,  $V_{DS} = 5.5V$

۱۲۰- در شکل زیر ولتاژ آستانه هدایت همه دیودها  $0.7V$  و ولتاژ شکست دیودهای زener  $3V$  است. جریان  $I_1$  چند میلی آمپر است؟



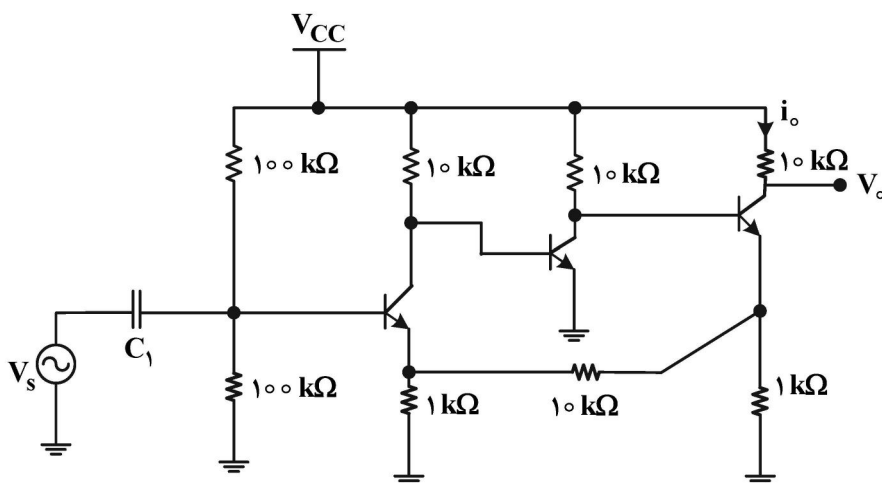
- (۱)  $1/3$
- (۲)  $1/6$
- (۳)  $3$
- (۴)  $3/6$

۱۲۱- مقدار بهره  $A_{V_S} = \frac{V_o}{V_s}$  کدام است؟



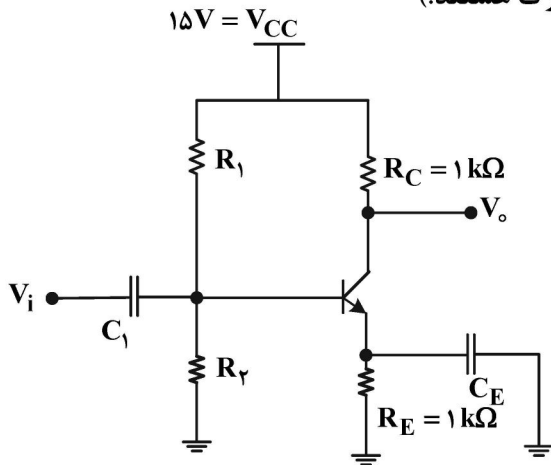
- (۱)  $2275$
- (۲)  $2775$
- (۳)  $4220$
- (۴)  $5325$

۱۲۲- در مدار زیر، با فرض بزرگ بودن  $h_{fe}$  برای همه ترانزیستورها، مقدار بهره  $A_V = \frac{V_o}{V_s}$  کدام است؟



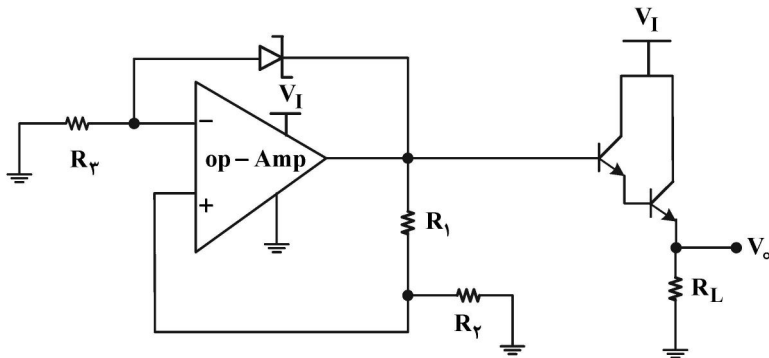
- (۱)  $+120$
- (۲)  $+12$
- (۳)  $-12$
- (۴)  $-120$

۱۲۳- در تقویت کننده شکل زیر، با فرض بزرگ بودن  $\beta$  ترانزیستور، نقطه کار DC، برای داشتن حداکثر دامنه نوسان متقارن در خروجی، کدام است؟ (خازن های  $C_E$  و  $C_1$  بسیار بزرگ هستند).



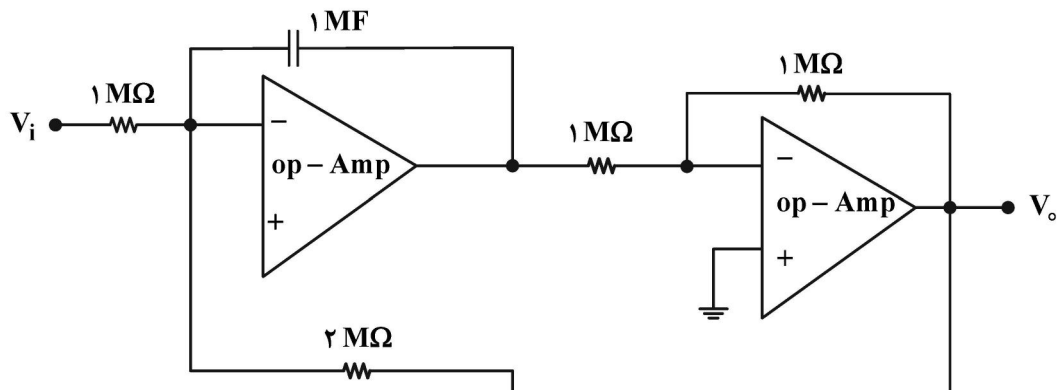
- (۱)  $V_{CE} = 7.5V$  و  $I_C = 3.75mA$
- (۲)  $V_{CE} = 5V$  و  $I_C = 5mA$
- (۳)  $V_{CE} = 7.5V$  و  $I_C = 7.5mA$
- (۴)  $V_{CE} = 5V$  و  $I_C = 10mA$

۱۲۴- کدام مورد برای شکل زیر درست است؟ (اپامپ ایده آل و ولتاژ شکست دیود زener  $V_Z$  است).



- (۱)  $V_o = (R_f + \frac{R_2}{R_1})V_Z - 2V_{BE, on}$
- (۲)  $V_o = (R_f + \frac{R_2}{R_1})V_Z - V_{BE, on}$
- (۳)  $V_o = (1 + \frac{R_f}{R_1})V_Z - 2V_{BE, on}$
- (۴)  $V_o = (1 + \frac{R_f}{R_1})V_Z$

۱۲۵- با فرض ایده آل بودن اپامپها، رابطه بین  $v_i$  و  $v_o$  کدام است؟



$$\frac{d^2 v_o}{dt^2} - 2v_o - v_i = 0 \quad (۲)$$

$$\frac{dv_o}{dt} - \frac{1}{2}v_o - v_i = 0 \quad (۱)$$

$$\frac{d^2 v_o}{dt^2} - \frac{1}{2}v_o + v_i = 0 \quad (۴)$$

$$\frac{dv_o}{dt} - v_o + v_i = 0 \quad (۳)$$





مشاهده کلید اولیه سوالات آزمون کارشناسی ارشد 1402

به اطلاع می‌رساند، کلید اولیه سوالات که در این سایت قرار گرفته است، غیر قابل استناد است و پس از دریافت نظرات داوطلبان و صاحب نظران کلید نهایی سوالات تهیه و بر اساس آن کارنامه داوطلبان استخراج خواهد شد. در صورت تمایل می‌توانید حداکثر تا تاریخ 1401/12/25 با مراجعه به سامانه پاسخگویی اینترنتی (request.sanjesh.org) نسبت به تکمیل فرم "اعتراض به کلید سوالات"/"آزمون کارشناسی ارشد سال 1402" اقدام نمایید. لازم به ذکر است نظرات داوطلبان فقط تا تاریخ مذکور و از طریق فرم ذکر شده دریافت خواهد شد و به موارد ارسالی از طریق دیگر (نامه مکتوب یا فرم عمومی در سامانه پاسخگویی و ...) یا پس از تاریخ اعلام شده رسیدگی نخواهد شد.

گروه امتحانی	نوع دفترچه	عنوان دفترچه
فنی و مهندسی	F	مهندسی ابزار دقیق و اتوماسیون صنایع نفت

شماره سوال	گزینه صحیح	شماره سوال	گزینه صحیح	شماره سوال	گزینه صحیح	شماره سوال	گزینه صحیح	شماره سوال	گزینه صحیح	شماره سوال	گزینه صحیح
1	3	31	1	61	4	91	1	121	1	151	سفید
2	4	32	2	62	1	92	4	122	4	152	سفید
3	1	33	4	63	2	93	2	123	2	153	سفید
4	1	34	3	64	2	94	2	124	3	154	سفید
5	2	35	1	65	3	95	4	125	1	155	سفید
6	2	36	4	66	4	96	1	126	سفید	156	سفید
7	3	37	2	67	4	97	3	127	سفید	157	سفید
8	4	38	3	68	1	98	4	128	سفید	158	سفید
9	3	39	1	69	4	99	1	129	سفید	159	سفید
10	2	40	3	70	1	100	2	130	سفید	160	سفید
11	3	41	4	71	1	101	3	131	سفید	161	سفید
12	1	42	4	72	4	102	4	132	سفید	162	سفید
13	4	43	1	73	1	103	2	133	سفید	163	سفید
14	2	44	3	74	2	104	1	134	سفید	164	سفید
15	4	45	1	75	3	105	4	135	سفید	165	سفید
16	1	46	2	76	3	106	3	136	سفید	166	سفید
17	4	47	2	77	2	107	2	137	سفید	167	سفید
18	3	48	3	78	3	108	3	138	سفید	168	سفید
19	2	49	3	79	1	109	3	139	سفید	169	سفید
20	1	50	2	80	4	110	4	140	سفید	170	سفید
21	2	51	1	81	4	111	3	141	سفید	171	سفید
22	3	52	4	82	2	112	2	142	سفید	172	سفید
23	4	53	1	83	1	113	1	143	سفید	173	سفید
24	4	54	4	84	4	114	4	144	سفید	174	سفید
25	2	55	2	85	1	115	4	145	سفید	175	سفید
26	1	56	4	86	3	116	3	146	سفید	176	سفید
27	3	57	2	87	1	117	1	147	سفید	177	سفید
28	2	58	3	88	4	118	2	148	سفید	178	سفید
29	3	59	1	89	2	119	3	149	سفید	179	سفید
30	4	60	3	90	3	120	4	150	سفید	180	سفید
شماره سوال	گزینه صحیح	شماره سوال	گزینه صحیح	شماره سوال	گزینه صحیح	شماره سوال	گزینه صحیح	شماره سوال	گزینه صحیح	شماره سوال	گزینه صحیح
181	سفید	211	سفید	241	سفید	271	سفید	301	سفید		
182	سفید	212	سفید	242	سفید	272	سفید	302	سفید		
183	سفید	213	سفید	243	سفید	273	سفید	303	سفید		
184	سفید	214	سفید	244	سفید	274	سفید	304	سفید		
185	سفید	215	سفید	245	سفید	275	سفید	305	سفید		
186	سفید	216	سفید	246	سفید	276	سفید	306	سفید		
187	سفید	217	سفید	247	سفید	277	سفید	307	سفید		
188	سفید	218	سفید	248	سفید	278	سفید	308	سفید		

189	سفید	219	سفید	249	سفید	279	سفید	309	سفید
190	سفید	220	سفید	250	سفید	280	سفید	310	سفید
191	سفید	221	سفید	251	سفید	281	سفید	311	سفید
192	سفید	222	سفید	252	سفید	282	سفید	312	سفید
193	سفید	223	سفید	253	سفید	283	سفید	313	سفید
194	سفید	224	سفید	254	سفید	284	سفید	314	سفید
195	سفید	225	سفید	255	سفید	285	سفید	315	سفید
196	سفید	226	سفید	256	سفید	286	سفید	316	سفید
197	سفید	227	سفید	257	سفید	287	سفید	317	سفید
198	سفید	228	سفید	258	سفید	288	سفید	318	سفید
199	سفید	229	سفید	259	سفید	289	سفید	319	سفید
200	سفید	230	سفید	260	سفید	290	سفید	320	سفید
201	سفید	231	سفید	261	سفید	291	سفید		
202	سفید	232	سفید	262	سفید	292	سفید		
203	سفید	233	سفید	263	سفید	293	سفید		
204	سفید	234	سفید	264	سفید	294	سفید		
205	سفید	235	سفید	265	سفید	295	سفید		
206	سفید	236	سفید	266	سفید	296	سفید		
207	سفید	237	سفید	267	سفید	297	سفید		
208	سفید	238	سفید	268	سفید	298	سفید		
209	سفید	239	سفید	269	سفید	299	سفید		
210	سفید	240	سفید	270	سفید	300	سفید		

خروج