

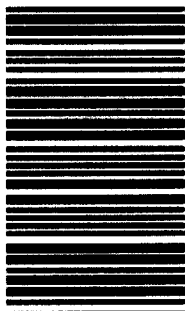
360

C

نام

نام خانوادگی

محل امضاء



360C

صبح پنجشنبه
۹۱/۱۱/۱۹



جمهوری اسلامی ایران
وزارت علوم، تحقیقات و فناوری
سازمان سنجش آموزش کشور

اگر دانشگاه اصلاح شود مملکت اصلاح می‌شود.
امام خمینی (ره)

آزمون ورودی دوره‌های کارشناسی ارشد ناپیوسته داخل - سال ۱۳۹۲

مهندسی ابزار دقیق و اتوماسیون در صنایع نفت - کد ۱۲۹۰

مدت پاسخگویی: ۲۰۰ دقیقه

تعداد سؤال: ۱۳۰

عنوان مواد امتحانی، تعداد و شماره سؤالات

ردیف	مواد امتحانی	تعداد سؤال	از شماره	تا شماره
۱	زبان عمومی و تخصصی	۳۰	۱	۳۰
۲	ریاضیات مهندسی	۱۵	۳۱	۴۵
۳	کنترل خطی و غیرخطی	۱۵	۴۶	۶۰
۴	ترمودینامیک	۲۰	۶۱	۸۰
۵	مکانیک سیالات و انتقال حرارت	۲۰	۸۱	۱۰۰
۶	مدارهای الکتریکی ۱ و ۲	۱۵	۱۰۱	۱۱۵
۵	الکترونیک ۱ و ۲	۱۵	۱۱۶	۱۳۰

انتخاب ۲ درس
از ۴ درس
اجباری است.

بهمن ماه سال ۱۳۹۱

استفاده از ماشین حساب مجاز نمی‌باشد.

Part A: Vocabulary

Directions: Choose the word or phrase (1), (2), (3), or (4) that best completes each sentence. Then mark the correct choice on your answer sheet.

- 1- He is a woman of ----- who has never abandoned his principles for the sake of making money.
1) utility 2) integrity 3) treaty 4) acrimony
- 2- The loud sound of the radiator as it released steam became an increasingly annoying -----.
1) interval 2) perception 3) zenith 4) distraction
- 3- Jackson's poor typing skills were a ----- to finding employment at the nearby office complex.
1) hindrance 2) supplement 3) confirmation 4) versatility
- 4- The judge dismissed the extraneous evidence because it was not ----- to the trial.
1) obedient 2) treacherous 3) pertinent 4) vulnerable
- 5- Because biology is such a ----- subject, it is subdivided into separate branches for convenience of study.
1) deficient 2) consistent 3) broad 4) mutual
- 6- In addition, physicians may have difficulty in deciding that an illness can be ----- the job. Many industrial diseases mimic sickness from other causes.
1) attributed to 2) precluded from 3) refrained from 4) exposed to
- 7- Mechanics was one of the most highly developed sciences ----- in the Middle Ages.
1) extracted 2) persisted 3) resolved 4) pursued
- 8- In the absence of death from other causes, all members of a population may exist in their environment until the ----- of senescence, which will cause a decline in the ability of individuals to survive.
1) ratio 2) onset 3) core 4) output
- 9- Before the invention and diffusion of writing, translation was ----- and oral; persons professionally specializing in such work were called interpreters.
1) subsequent 2) unilateral 3) eventual 4) instantaneous
- 10- Public attitudes toward business regulation are somewhat -----; most people resent intrusive government rules, yet they expect government to prevent businesses from defrauding or endangering them.
1) cogent 2) emotional 3) ambiguous 4) indifferent

Part B: Cloze Test

Directions: Read the following passage and decide which choice (1), (2), (3), or (4) best fits each space. Then mark the correct choice on your answer sheet.

The variety of successful dietary strategies (11) ----- by traditionally living populations provides an important perspective on the ongoing debate about how high-protein, low-carbohydrate regimens such as the Atkins diet compare with (12) ----- underscore complex carbohydrates and fat restriction. The fact that both these schemes produce weight loss is not surprising, (13) ----- both help people shed pounds through the same basic mechanism: (14) ----- major sources of calories. When you create an energy deficit—that is, when you consume fewer calories (15) ----- —your body begins burning its fat stores and you lose weight.

- 11- 1) employed 2) are employed 3) is employed 4) then employed
- 12- 1) those that 2) the ones they 3) that which 4) they
- 13- 1) in fact 2) although 3) likewise 4) because
- 14- 1) limit 2) limiting 3) which limit 4) with limiting
- 15- 1) are expended 2) that they are expended
3) than you expend 4) to expend

PART C: Reading Comprehension

Directions: Read the following four passages and answer the questions by choosing the best choice (1), (2), (3), or (4). Then mark the correct choice on your answer sheet.

Passage 1

Sound travels in waves through the air like waves through the water; the higher the waves, the greater its power. The waves are alternative rings of compressed and rarefied air moving away from a central source at a constant speed. As each wave of first compression and then rarefaction encounters an object, it exerts a force- a push and then a pull on the object. That is why sound can break a glass or cause a screen to vibrate.

The greater the number of waves a sound has, the greater its frequency is. The strength or intensity of sound, sound level, is measured in decibels (db.). The decibel unit is named after Alexander Graham Bell, the inventor of the telephone and an important researcher into the nature of sound. Because hearing varies widely, what may seem loud to one person may not to another. Although loudness is a personal judgment, precise measurement of sound is made possible by use of the decibel scale. This scale of Sound Levels and Human Response measures sound pressure or energy according to international standards.

- 16- **During a loud thunder storm, a window rattle because -----**
 1) lighting strikes the glass with force
 2) the sound of the rain is heard through the glass
 3) the air is colder on one side of the glass than on the other
 4) the claps of thunder create powerful sound waves that exert pressure on the glass
- 17- **Sound waves move outwards from a central point at -----**
 1) a steady, continuous speed
 2) greater and greater speeds
 3) a speed of 1.181 kilometers per hour
 4) varying speed
- 18- **It can be concluded from the passage that -----**
 1) everyone judges loudness the same way
 2) sound has no physical effect on any object
 3) sound waves can be measured scientifically
 4) the decibel scale is a purely subjective device
- 19- **It can be inferred from the passage that a sound measured at 100 decibels is louder than -----**
 1) any other sound ever measured
 2) a sound measured at 80 decibels
 3) a sound measured at 110 decibels
 4) the machine measuring it

Passage 2

The word laser was coined as an acronym for Light Amplification by the Stimulated Emission of Radiation. Ordinary light, from the Sun or a light bulb, is emitted spontaneously, when atoms or molecules get rid of excess energy by themselves, without any outside intervention. Stimulated emission is different because it occurs when an atom or molecule holding onto excess energy has been stimulated to emit it as light.

Albert Einstein was the first to suggest the existence of stimulated emission in a paper published in 1917. However, for many years physicists thought that atoms and molecules always were much more likely to emit light spontaneously and that stimulated emission thus always would be much weaker. It was not until after the Second World War that physicists

began trying to make stimulated emission dominate. They sought ways by which one atom or molecule could stimulate many others to emit light, amplifying it to much higher powers.

The first to succeed was Charles H. Townes, then at Columbia University in New York. Instead of working with light, however, he worked with microwaves, which have a much longer wavelength, and built a device he called a "maser," for Microwave Amplification by the Stimulated Emission of Radiation. Although he thought of the key idea in 1951, the first maser was not completed until a couple of years later. Before long, many other physicists were building masers and trying to discover how to produce stimulated emission at even shorter wavelengths.

The key concepts emerged about 1957. Townes and Arthur Schawlow, then at Bell Telephone Laboratories, wrote a long paper outlining the conditions needed to amplify stimulated emission of visible light waves. At about the same time, similar ideas crystallized in the mind of Gordon Gould, then a 37-year-old graduate student at Columbia, who wrote them down in a series of notebooks. Townes and Schawlow published their ideas in a scientific journal, *physical Review Letters*, but Gould filed a patent application. Three decades later, people still argue about who deserves the credit for the concept of the laser.

- 20- The word "coined" in line 1 could best be replaced by -----
 1) created 2) discovered 3) mentioned 4) understood
- 21- Why do people still argue about who deserved the credit for the concept of the laser?
 1) The work is still incomplete.
 2) The researchers' notebooks were lost.
 3) several people were developing the idea at the same time.
 4) No one claimed credit for the development until recently.
- 22- The word "emerged" in line 20 is closest in meaning to -----
 1) appeared 2) concluded 3) increased 4) succeeded
- 23- Why was Town's early work with stimulated emission done with microwave?
 1) The laser had already been developed.
 2) It was easier to work with longer wavelengths.
 3) He was not concerned with light amplification.
 4) His partner Schawlow had already begun work on the laser.
- 24- "Intervention" in line 4 can best be replaced by
 1) device 2) need 3) source 4) influence

Passage 3

We put fuses into electric appliances to make electric appliances safe. Radios, television sets, heaters, and refrigerators are all electric appliances. These appliances have fuses.

A fuse is a small piece of wire. When too much electricity tries to pass through the fuse, it melts. When it has melted no electricity can pass through it.

When there is something wrong with an electrical appliance, too much electricity may flow into it. When there is a fuse in the appliance or in the plug, the fuse will melt. The electricity will not be able to cross the broken fuse wire, and the appliance will be safe.

Not all fuses are the same size. Some appliances need more electricity than others. An electric heater, for example, will usually need a current of 15 amps. A radio will need only 5 amps. Fuses must be the correct size for the appliance. When a fuse is too small, it melts too quickly. When a fuse is too large, it does not melt quickly enough. Then the appliance may get too much electricity and it is not safe.

- 25- When does a fuse melt?**
 1) when the appliance is hot
 2) when the electric current is too small
 3) when there is no electric current
 4) when the electric current is too large
- 26- When is an electrical appliance not safe?**
 1) when the fuse is too big
 2) when the fuse has melted
 3) when the fuse is too small
 4) when the fuse is in the plug
- 27- Why are fuses important?**
 1) They are pieces of wire
 2) They need a lot of electricity
 3) Electricity cannot flow through them
 4) They keep electrical appliances safe

Passage 4

The Hubble Space Telescope is high above Earth. It is a telescope in space. Hubble takes photos of planets, stars, and other space objects.

Hubble has been in space since 1990, but now it is better than ever. Astronauts make repairs and add parts. One of the parts is a huge camera. It is able to see deeper into space than ever before.

"This last mission to Hubble was the most difficult," says scientist Ken Carpenter. "It was a success because of the hard work of the astronauts in space and workers on the ground. Now Hubble is the best it's ever been!"

How does Hubble take so many great photos? It has a great view! It is in orbit 350 miles above Earth. An orbit is a path that a space object travels around another space object.

The recent repairs to Hubble were the last. Scientists say it will work for at least five more years. Hubble will be replaced by the James Webb Space Telescope.

- 28- Where can the Hubble Telescope be found?**
 1) in pictures on NASA TV
 2) in orbits around the Earth
 3) in a museum in New York
 4) on a highway in California
- 29- The author most likely wrote this passage in order to -----**
 1) describe photos taken by the Hubble telescope
 2) teach astronauts how to fix the Hubble telescope while floating in space
 3) inform readers about how astronauts made the Hubble telescope better.
 4) persuade scientists that the James Webb telescope is better than the Hubble telescope.
- 30- The word "mission" in line 5 means:**
 1) a group that is sent to another country
 2) a job that needs to be done in space
 3) a letter sent from one person to another
 4) a reason to do something or make something

-۳۱ در بسط به سری فوریه تابع $f(x) = \begin{cases} \sin x & -\pi < x < 0 \\ \cos x & 0 < x < \pi \end{cases}$ مقدار a_1 کدام است؟

(۱) -۱ (۲) $-\frac{1}{2}$

(۳) $\frac{1}{2}$ (۴) ۱

-۳۲ با توجه به اینکه $\sum_{n=1}^{\infty} \frac{1}{n^2} = \frac{\pi^2}{6}$ (با استفاده از سری فوریه تابع $f(x) = x^2$ که به صورت

$x^2 = \frac{\pi^2}{3} - 4(\cos x - \frac{1}{4}\cos 2x + \frac{1}{9}\cos 3x - \dots)$ مجموع $\sum_{n=1}^{\infty} \frac{1}{(4n-3)^2} + \sum_{n=1}^{\infty} \frac{1}{(4n-1)^2}$ کدام است؟

(۱) $\frac{\pi^2}{32}$ (۲) $\frac{\pi^2}{24}$

(۳) $\frac{\pi^2}{16}$ (۴) $\frac{\pi^2}{8}$

-۳۳ اگر $f(x) = \begin{cases} e^{-x} & 0 < x < 1 \\ 0 & x > 1 \end{cases}$ ، آنگاه نمایش انتگرال فوریه کسینوسی آن به صورت:

$$f(x) = \frac{2}{\pi} \int_0^{\infty} \frac{1 - e^{-1}(\cos w - w \sin w)}{1 + w^2} \cos wx \, dw$$

می‌باشد. مقدار $f(x) = \int_0^{\infty} \frac{e - (\cos w - w \sin w)}{1 + w^2} \cos w \, dw$ کدام است؟

(۱) $\frac{\pi}{4e}$ (۲) $\frac{\pi}{2e}$

(۳) $\frac{\pi}{4}$ (۴) $\frac{\pi}{2}$

-۳۴ اگر $f(x) = \frac{\pi}{4} |\sin x|$ با چند جمله‌ای مثلثاتی $f(x) \cong \frac{1}{2} - \frac{1}{3} \cos 2x$ تقریب شده و $\pi^2 = 10$ باشد، آنگاه مینیمم مربع

خطای حاصل، کدام است؟

(۱) $\frac{\pi}{64}$ (۲) $\frac{\pi}{72}$

(۳) $\frac{\pi}{96}$ (۴) $\frac{\pi}{144}$

-۳۵ با استفاده از روش ضربی ($u(x, y) = F(x)G(y)$) برای حل معادله دیفرانسیلی با مشتقات جزئی $Au_{xx} + Bu_{yy} + Cu_y + \gamma Eu = 0$ که در آن ضرایب اعداد ثابت مشخص حقیقی می‌باشند، معادلات دیفرانسیل

معمولی حاصل برای $F(x)$ و $G(y)$ ، کدام است؟ (K ثابت دلخواه است)

$$\begin{cases} AF'' + CF' - (E - K)F = 0 \\ B\ddot{G} + D\dot{G} + (E + K)G = 0 \end{cases} \quad (۲)$$

$$\begin{cases} AF'' + CF' - (E - K)F = 0 \\ B\ddot{G} + D\dot{G} - (E + K)G = 0 \end{cases} \quad (۱)$$

$$\begin{cases} AF'' + CF' + (E - K)F = 0 \\ B\ddot{G} + D\dot{G} + (E + K)G = 0 \end{cases} \quad (۴)$$

$$\begin{cases} AF'' + CF' + (E - K)F = 0 \\ B\ddot{G} + D\dot{G} - (E + K)G = 0 \end{cases} \quad (۳)$$

۳۶- جواب معادله $u_{tt} = 4\pi^2 u_{xx}$ با شرایط اولیه $u_t(x, 0) = \frac{1}{1+x^2}$ و $u(x, 0) = \sin x$ کدام است؟

$$u(x, t) = \sin x \cos 2\pi t + \frac{1}{4\pi} [\operatorname{tg}^{-1}(x + 2\pi t) - \operatorname{tg}^{-1}(x - 2\pi t)] \quad (۱)$$

$$u(x, t) = \sin x \cos 2\pi t + \frac{1}{2\pi} [\operatorname{tg}^{-1}(x + 2\pi t) - \operatorname{tg}^{-1}(x - 2\pi t)] \quad (۲)$$

$$u(x, 0) = \sin 2\pi x \cos t + \frac{1}{4\pi} [\operatorname{tg}^{-1}(x + 2\pi t) - \operatorname{tg}^{-1}(x - 2\pi t)] \quad (۳)$$

$$u(x, 0) = \sin 2\pi x \cos t + \frac{1}{2\pi} [\operatorname{tg}^{-1}(x + 2\pi t) - \operatorname{tg}^{-1}(x - 2\pi t)] \quad (۴)$$

۳۷- فرم جواب معادله دیفرانسیل $\nabla^2 u_{xx} + \Delta u_{xy} + 2u_{yy} = 0$ کدام است؟ (f و g توابع دلخواه فرض شوند).

$$u = f(y - 2x) + g(y - x) \quad (۲) \quad u = f(y - 2x) + g(y - \frac{x}{2}) \quad (۱)$$

$$u = f(2y - x) + g(2y + x) \quad (۴) \quad u = f(2x + y) + g(2x - y) \quad (۳)$$

۳۸- یک جواب خصوصی از معادله دیفرانسیل $u_{xx} + u_{yy} = \cos(x + 2y)$ کدام است؟

$$u(x, y) = -\frac{1}{\Delta} \cos(x + 2y) \quad (۲) \quad u(x, y) = -\Delta \cos(x + 2y) \quad (۱)$$

$$u(x, y) = -\cos(x + 2y) - \frac{1}{4} \sin(x + 2y) \quad (۴) \quad u(x, y) = -\cos(x + 2y) - 4 \sin(x + 2y) \quad (۳)$$

۳۹- اگر $z = x + iy$ باشد، آنگاه در مورد $A = |e^{(2z+i)} + e^{(iz^2)}|$ ، کدام گزینه، صحیح است؟

$$A \leq e^{2x} + e^{2xy} \quad (۲) \quad A \leq e^{2x} + e^{-2xy} \quad (۱)$$

$$A > e^{2x} + e^{2xy} \quad (۴) \quad A > e^{2x} + e^{-2xy} \quad (۳)$$

۴۰- اگر $z = x + iy$ یک عدد مختلط، $\operatorname{Re} z$ قسمت حقیقی آن و $\operatorname{Im} z$ قسمت موهومی آن باشد، آنگاه مقدار

$$\operatorname{Re} z^{n+1} - (x^2 + y^2) \operatorname{Re} z^n$$

$$\operatorname{Re} z^{n+2} \quad (۲) \quad \text{صفر} \quad (۱)$$

$$\operatorname{Re} z^{n+1} - \operatorname{Im} z^{n+1} \quad (۴) \quad \operatorname{Im} z^{n+2} \quad (۳)$$

۴۱- انتگرال تابع $f(z) = y - x - i3x^2$ ، $I = \int_C f(z) dz$ وقتی C پاره خط جهت دار از 0 تا $1+i$ می باشد، کدام است؟

$$I = 1 - i \quad (۲) \quad I = -1 - i \quad (۱)$$

$$I = 1 + i \quad (۴) \quad I = -1 + i \quad (۳)$$

۴۲- اگر $f(z) = \frac{5}{9(z-2)} - \frac{5}{9(z+1)} + \frac{1}{3(z-2)^2}$ و C دایره $|z| = \frac{3}{2}$ باشد؛ که در خلاف جهت عقربه های ساعت جهت-

گذاری شده (جهت مثبت) است، آنگاه مقدار $\oint_C f(z) dz$ کدام است؟

$$-\frac{5\pi}{9} i \quad (۲) \quad -\frac{10\pi}{9} i \quad (۱)$$

$$\frac{10\pi}{9} i \quad (۴) \quad \frac{5\pi}{9} i \quad (۳)$$

۴۳- اگر $f(z) = \frac{\cosh z - 1}{z^2}$ باشد، کدام گزینه صحیح است؟

(۱) $Z = 0$ یک صفر ساده تابع است.

(۲) $Z = 0$ یک قطب ساده تابع است.

(۳) نقطه $Z = 0$ یک نقطه تکین رفع شدنی تابع است.

(۴) $Z = 0$ یک نقطه ثابت تابع است.

۴۴- فرض کنیم $I = \oint_c \frac{\cos z dz}{(z - \frac{\pi}{4})^3}$ و $c: |z - \frac{\pi}{4}| = 1$ باشد، که در جهت مثبت جهت گذاری شده است. در آن صورت مقدار I

کدام است؟

(۱) $\sqrt{2}\pi i$

(۲) $\frac{\pi i}{\sqrt{2}}$

(۳) $-\sqrt{2}\pi i$

(۴) $-\frac{\pi i}{\sqrt{2}}$

۴۵- نگاشت خط $y = c_1$ تحت تابع $w = \frac{1}{z}$ ، کدام است؟

$$u^2 + v^2 - \frac{v}{c_1} = 0 \quad (۲)$$

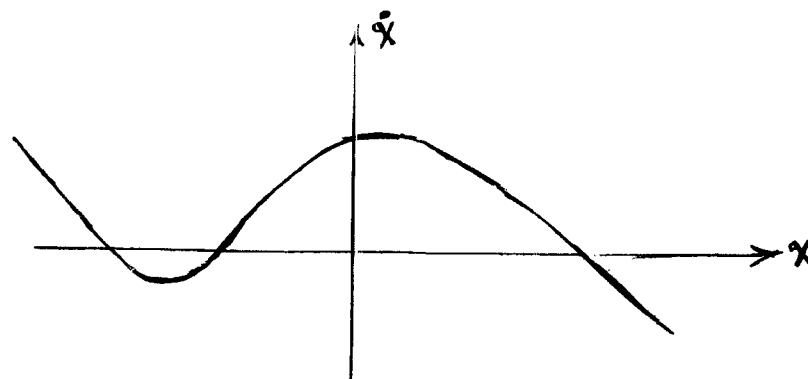
$$u^2 - v^2 - \frac{v}{c_1} = 0 \quad (۱)$$

$$u^2 + v^2 + \frac{v}{c_1} = 0 \quad (۴)$$

$$u^2 - v^2 + \frac{v}{c_1} = 0 \quad (۳)$$

کنترل خطی و غیر خطی

۴۶- پاسخ یک سیستم غیر خطی مرتبه یک در شکل زیر، داده شده است. تعداد نقاط تعادل و پایداری آن، کدام است؟



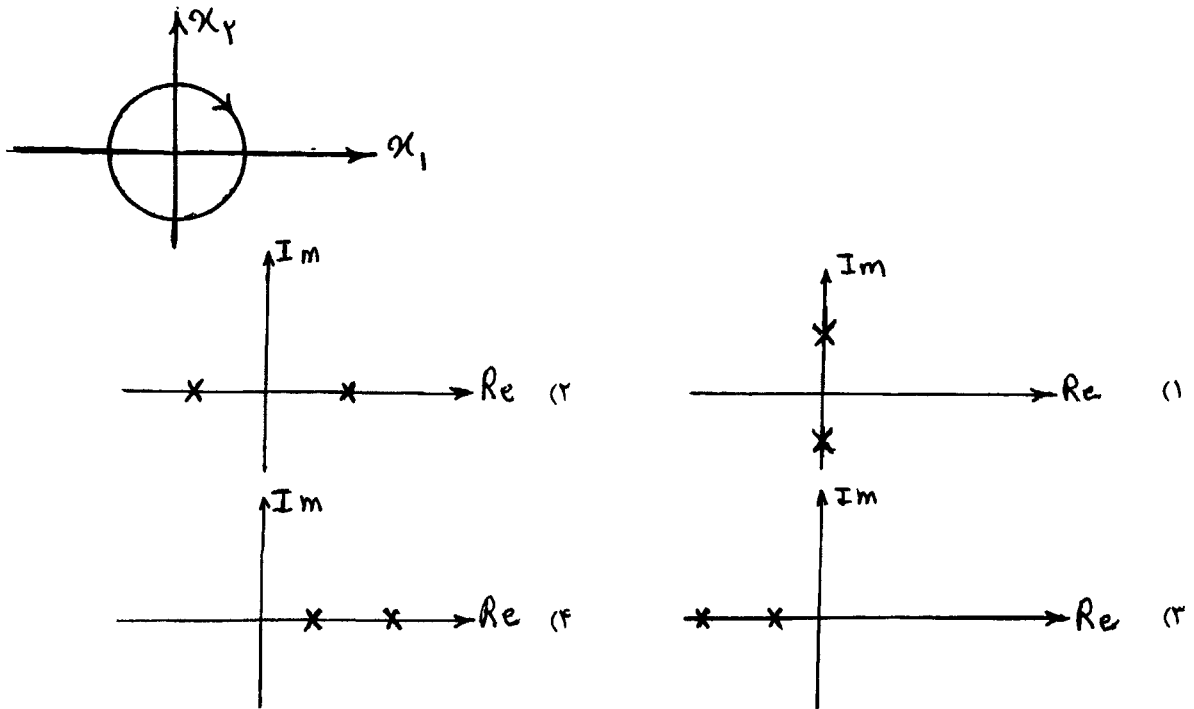
(۱) سه نقطه تعادل دارد، که هر سه آن‌ها پایدارند.

(۲) سه نقطه تعادل دارد، که هر سه آن‌ها ناپایدارند.

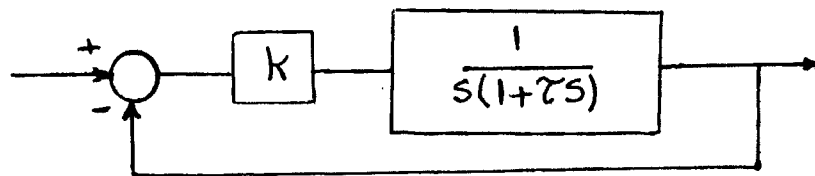
(۳) سه نقطه تعادل دارد، که ۲ نقطه تعادل پایدار و یکی ناپایدار است.

(۴) سه نقطه تعادل دارد، که یکی از آن‌ها پایدار و دوتای دیگر ناپایدارند.

۴۷- نمودار فاز سیستم مرتبه ۲، مطابق شکل زیر است. آرایش قطب‌های این سیستم به چه شکل است؟



۴۸- در سیستم کنترل شکل زیر، به ازای چه مقادیری از k و τ پاسخ ضربه سیستم به صورت $y(t) = 2e^{-t} \sin t$ می‌باشد؟



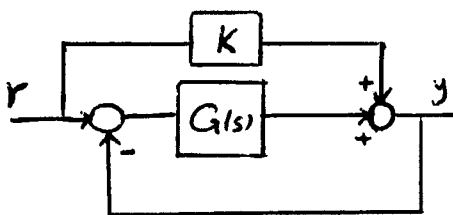
$$k=2, \tau=1 \quad (2)$$

$$k=1, \tau=0.5 \quad (1)$$

$$k=1, \tau=1 \quad (4)$$

$$k=0.5, \tau=0.5 \quad (3)$$

۴۹- فرض کنید $G(s)$ تابع انتقال یک سیستم مرتبه ۲ باشد، که خروجی آن به ازای ورودی پله واحد در حالت دائمی برابر 0.8 است. در سیستم کنترل زیر، $k > 0$ را به نحوی تعیین کنید؛ که اندازه خطا با تعریف $e = r - y$ در حالت دائمی، کم‌تر از 0.1 باشد؟



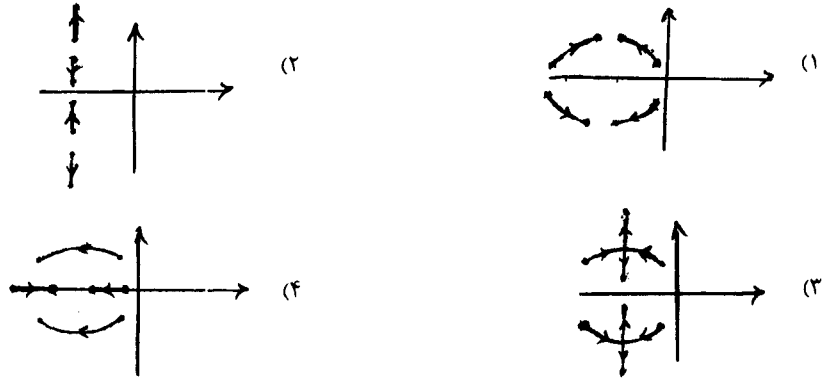
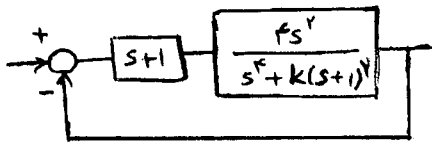
$$1 < k < 1.18 \quad (1)$$

$$0.88 < k < 1.12 \quad (2)$$

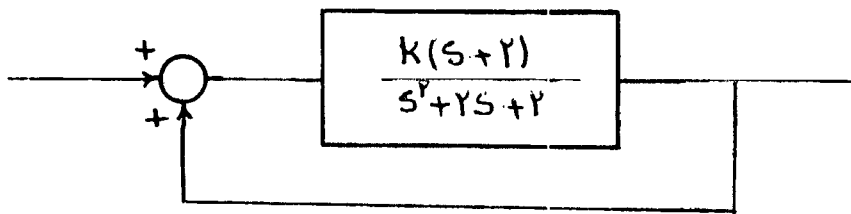
$$0.82 < k < 1.18 \quad (3)$$

$$1.62 < k < 1.98 \quad (4)$$

۵۰- مکان هندسی ریشه‌های سیستم حلقه بسته زیر، به ازای $5 \leq k \leq 15$ مشابه کدام گزینه می‌باشد؟



۵۱- در سیستم کنترل روبه‌رو، $0 < k < \infty$ می‌باشد. نقطه قطع محور حقیقی کدام است؟



- (۱) ۳/۴
- (۲) ۰/۶
- (۳) -۳/۴
- (۴) -۰/۶

۵۲- معادلات حالت یک سیستم کنترل به صورت زیر است. به ازای کدام k_1 و k_2 سرعت همگرایی $x_1(t)$ به ورودی پله از تابع

$$e^{-\frac{5}{2}t}$$

بیش‌تر است؟

$$\dot{x}_1 = x_2 + u$$

$$\dot{x}_2 = -k_1 x_1 - k_2 x_2 - 3u$$

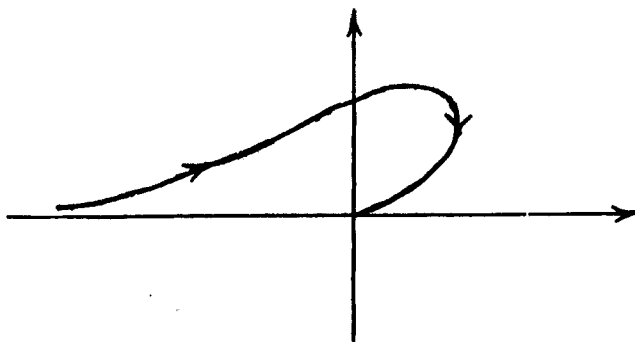
$$k_1 = \frac{1}{2}, k_2 = \frac{3}{2} \quad (۲)$$

$$k_1 = 3, k_2 = 4 \quad (۴)$$

$$k_1 = 5, k_2 = \frac{9}{2} \quad (۱)$$

$$k_1 = 4, k_2 = 4 \quad (۳)$$

۵۳- شکل ساده شده دیاگرام نایکوسیت ترسیم شده مربوط به کدام یک از توابع انتقال داده شده است؟



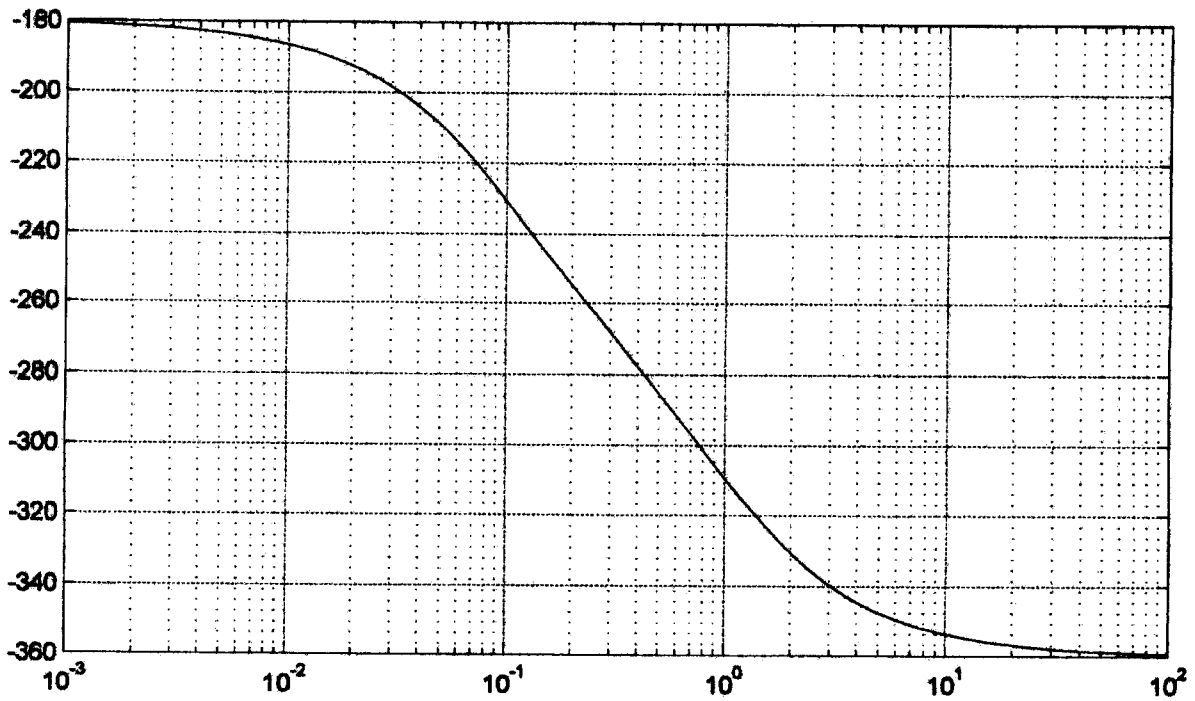
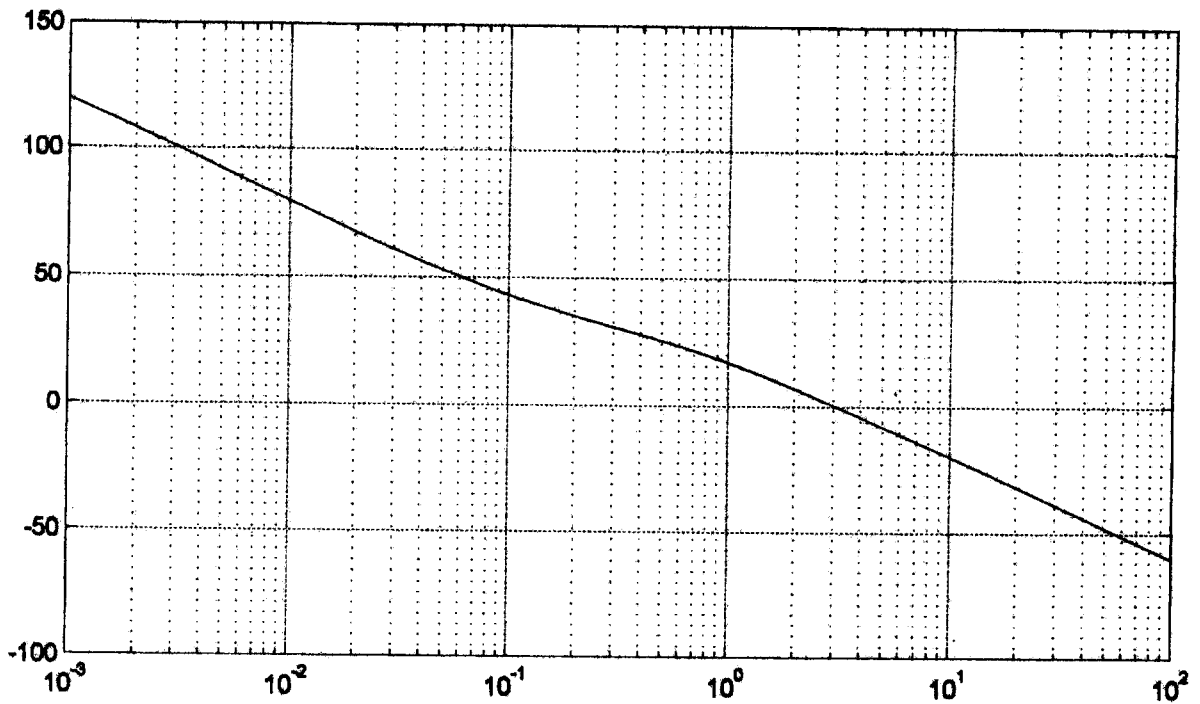
$$\frac{s+2}{s^2(s-1)} \quad (۱)$$

$$\frac{1}{s^2(s+1)(s+2)} \quad (۲)$$

$$\frac{s+2}{s^2(s+1)} \quad (۳)$$

$$\frac{s+1}{s^2(s+2)} \quad (۴)$$

۵۴- تابع تبدیل مربوط به نمودارهای بود زیر، کدام است؟



$$\frac{1}{10} \frac{(s + 0.1)}{s(s+1)} \quad (1)$$

$$\frac{1}{10} \frac{(s - 0.1)}{s^2(s+1)} \quad (1)$$

$$-\frac{1}{10} \frac{(s - 0.1)}{s^2(s+1)} \quad (1)$$

$$\frac{(s + 0.1)}{10s^2(s+1)} \quad (1)$$

-۵۵

تابع تبدیل حلقه باز سیستمی به شرح زیر است.

$$GH(s) = \frac{(s+3)e^{-Ts}}{s(s+1)}$$

برای پایداری سیستم حلقه بسته حداکثر مقدار T چقدر باید باشد؟

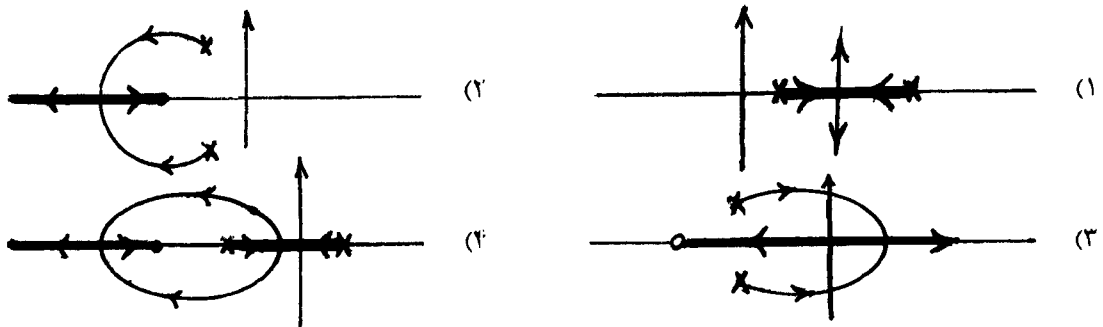
$$\frac{\pi}{3} \quad (۲) \qquad \frac{\pi}{3\sqrt{3}} \quad (۱)$$

$$\sqrt{3}\pi \quad (۴) \qquad \frac{\pi}{2\sqrt{3}} \quad (۳)$$

-۵۶

در سیستم زیر مکان هندسی ریشه‌های قطب‌های تابع تبدیل حلقه بسته، به ازای تغییرات β از صفر تا $(+\infty)$ کدام است؟ با فرض $(k > 4)$

$$GH = \frac{k}{(s+4)(s+\beta)}$$



-۵۷

در مورد سیستم زیر و رفتار آن چه می‌توان گفت:

$$\dot{x}_1 = (1 - \frac{x_1}{x_p})$$

$$\dot{x}_p = \frac{-x_1}{x_p} (1 - \frac{x_1}{x_p})$$

(۱) بی‌نهایت سیکل حدی دارد.

(۲) مسیر حرکت متغیرهای حالت، موازی با خط $x_1 = x_p$ است.(۳) مسیر حرکت متغیرهای حالت به صورت دایره‌ای به سمت خط $x_1 = x_p$ است.(۴) مسیر حرکت متغیرهای حالت به صورت دایره‌ای است و از خط $x_1 = x_p$ دور می‌شوند.

-۵۸

در مورد رفتار سیستم زیر چه می‌توان گفت:

$$\dot{x}_1 = x_p \cos x_1$$

$$\dot{x}_p = \sin x_1$$

(۱) بی‌نهایت سیکل حدی پایدار دارد.

(۲) بی‌نهایت نقطه تعادل دارد و نقاط تعادل، ناپایدار هستند.

(۳) بی‌نهایت نقطه تعادل ناپایدار و بی‌نهایت سیکل حدی پایدار دارد.

(۴) بی‌نهایت نقطه تعادل و سیکل حدی دارد و نقاط تعادل پایدار و سیکلهای حدی ناپایدارند.

۵۹- در مورد نقطه تعادل سیستم زیر کدام گزینه صحیح است؟

$$\dot{x}_1 = x_2$$

$$\dot{x}_2 = -\sin x_3 + x_1 [-2x_3 - \text{sat}(y)]^2$$

$$\dot{x}_3 = -2x_3 - \text{sat}(y)$$

و $y = -2x_1 - 5x_2 + 2x_3$ تعریف شده است.

(۱) نقطه تعادل $(0, 0, 0)$ ، پایدار مجانبی است.

(۲) نقطه تعادل $(0, 0, 0)$ ، ناپایدار است.

(۳) نقطه تعادل $(0, 0, 0)$ ، پایدار مرزی است.

(۴) نمی‌توان با روش خطی سازی و تابع لیاپانوف در مورد پایداری سیستم قضاوت کرد.

۶۰- در یک سیستم غیر خطی، اگر در یک همسایگی اطراف نقطه تعادل، شرایط زیر برقرار باشد.

$$V(x) > 0$$

$$\dot{V}(x) > 0$$

که $V(x)$ تابع لیاپانوف می‌باشد. آنگاه:

(۱) سیستم ناپایدار است.

(۲) ممکن است سیستم پایدار باشد.

(۳) با این تابع لیاپانوف نمی‌توان نتیجه‌گیری کرد.

(۴) روش مستقیم جوابگو نیست و باید از روش خطی‌سازی حول نقطه تعادل بهره برد.

ترمودینامیک

۶۱- انرژی داخلی ویژه (kJ/kg) گازی با جرم مولکولی $M = 30$ به صورت تابع دمایی $U = 0.717T$ داده شده است. تابع

آنتالپی h برای این گاز، کدام است؟ $(R = 8.31 \text{ kJ/kmol.K})$

(۲) $0.994T$

(۱) $0.440T$

(۴) $9.03T$

(۳) $7.59T$

۶۲- یک دستگاه پیستون - سیلندر حاوی هوا، تحت شرایط محیط 101 kPa و دمای 27°C می‌باشد. پیستون با جرم 100 kg

و سطح مقطع 0.2 m^2 ، مطابق شکل روبه‌رو، بر روی دو تا گیره نشسته است. برای این‌که پیستون شروع به بالا رفتن کند،

بایستی هوا را تا چند $^\circ\text{C}$ گرم کنیم؟ $(g = 9.8 \text{ m/s}^2)$

(۱) 50

(۲) 127

(۳) 177

(۴) 200



۶۳- مقدار ضریب انبساط پذیری حجمی (β) و تراکم پذیری ایزوترم (κ) برای یک مایع به ترتیب برابر $2 \times 10^{-3} \text{ }^\circ\text{C}^{-1}$ و

10^{-6} bar^{-1} می‌باشد. اگر دمای مایع 50 درجه سانتی‌گراد افزایش و فشار مایع 10 bar کاهش یابد، مقدار حجم

مایع چند برابر می‌شود؟ (فرض کنید مایع تغییر فاز نمی‌دهد و خواص ذکر شده در این فرایند ثابت می‌مانند.)

(۲) 0.01

(۱) 0.001

(۴) e^{10}

(۳) e^{10}

۶۴- معادله ویربال به دو صورت زیر بیان می‌شود، چه رابطه‌ای بین B, B', C, C' برقرار است؟

$$z = 1 + B'P + C'P^2$$

$$z = 1 + \frac{B}{V} + \frac{C}{V^2}$$

$$C' = \frac{RB - C}{(RT)^2}, B' = \frac{B}{RT} \quad (1)$$

$$C = \frac{C' - B'^2}{RT}, B' = \frac{B}{RT} \quad (2)$$

$$C' = \frac{B^2 - C}{RT}, B = \frac{B'}{RT} \quad (3)$$

$$C' = \frac{C - B^2}{(RT)^2}, B' = \frac{B}{RT} \quad (4)$$

۶۵- کدام یک از تساوی‌های زیر، صحیح است؟

$$C_P = P \left(\frac{\partial S}{\partial P} \right)_V \quad (1) \quad C_V = T \left(\frac{\partial S}{\partial T} \right)_V \quad (1)$$

$$C_P = RT \left(\frac{\partial P}{\partial T} \right)_P \quad (4) \quad C_P = RT \left(\frac{\partial V}{\partial T} \right)_P \quad (3)$$

۶۶- انتالپی استاندارد 25°C واکنش تولید آمونیاک $N_2(g) + 3H_2(g) \rightarrow 2NH_3(g)$ ، $46/11 \text{ kJ/mol}$ - است. اگر

یک مول گاز نیتروژن با سه مول هیدروژن، در ظرف سربسته‌ای با حجم ثابت ترکیب شوند: ($R = 8/3 \text{ J/mol.k}$)

(۱) $41/16 \text{ kJ}$ ، گرما آزاد می‌گردد. (۲) 51 kJ ، گرما جذب می‌شود.

(۳) حدود 5 kJ ، کار انجام می‌یابد. (۴) انرژی داخلی به میزان $46/11 \text{ kJ}$ ، افزایش می‌یابد.

۶۷- دو مخزن صلب به وسیله شیری به همدیگر متصل هستند. یکی از آن‌ها حاوی n مول گاز A و دیگری حاوی n مول گاز B می‌باشد. دمای اولیه در هر دو مخزن یکسان و مساوی است. شیر را باز می‌کنیم تا این دو گاز کاملاً با همدیگر مخلوط شوند؛ اگر طی این فرآیند، دما در هر مخزن ثابت بماند و رفتار هر یک از گازها را ایده‌آل در نظر بگیریم، کدام یک از گزینه‌های زیر در مورد انتروپی اختلاط ΔS_{mix} ، درست است؟ ($\ln 2 = 0/7$)

(۱) بستگی به دمای اولیه گازها دارد، و برابر $0/7 RT$ می‌باشد.

(۲) بستگی به فشار اولیه هر یک از گازها دارد، و اطلاعات داده شده برای ارزیابی آن کافی نیست.

(۳) مستقل از مقادیر گازها بوده، و برابر $0/5 RT$ می‌باشد.

(۴) مستقل از دما و فشار اولیه گازها بوده، و برابر $0/7 R$ می‌باشد.

۶۸- ظرفیت گرمایی یک جسم جامد $C_p = 0/4 \text{ J/kg.K}$ است. سه کیلوگرم از این جسم از دمای اولیه 27°C تا دمای

177°C گرم می‌شود. افزایش انتروپی جسم بر حسب ژول به ازای هر یک درجه بالا رفتن دما برای هر یک کیلوگرم جسم

برابر کدام است؟ ($\ln 1/5 = 0/4$)

(۱) $0/16$ (۲) $0/48$

(۳) $0/75$ (۴) $2/26$

۶۹- کدام یک از عبارتهای زیر، برای معادله حالت ون دروالس، اشتباه است؟ $\left(P = \frac{RT}{v-b} - \frac{a}{v^2} \right)$

(۱) این رابطه را می‌توان از درجه سوم نامید.

(۲) تغییرات فشار به تغییرات حجم در نقطه بحرانی، برابر با صفر است.

(۳) معادله به گونه‌ای پیشنهاد شده، که همواره یک ریشه حقیقی و دو ریشه موهومی دارد.

(۴) مقدار b در این رابطه، مربوط به حجم مولکول‌های سیال می‌باشد.

۷۰- اگر دما و فشار یک مول گاز ایده آل به صورت برگشتناپذیر، هر دو، دو برابر شوند، مقدار تغییر انتروپی گاز چه مقدار خواهد

$$\text{بود؟} \left(R = 2 \frac{\text{Btu}}{\text{lbmole}\cdot\text{R}}, C_P = 6 \frac{\text{Btu}}{\text{lbmole}\cdot\text{R}} \right)$$

۲Ln۲ (۱) ۴Ln۲ (۲)

۶Ln۲ (۳) ۸Ln۲ (۴)

۷۱- کدام یک از گزینه‌های زیر، صحیح نمی‌باشد؟

(۱) انتقال حرارت به دلیل اختلاف دما، فرایندی برگشتناپذیر است.

(۲) حداقل درجه آزادی برای یک سیستم، صفر است.

(۳) فرآیندهای بدون اصطکاک، همواره برگشت پذیر هستند.

(۴) قانون فازها در شرایط تعادلی، برقرار می‌باشد.

۷۲- برای نیتروژن (N_2) در دمای 100K حجم‌های ویژه مایع اشباع و بخار اشباع به ترتیب $U_f = 1/5 \times 10^{-3} \text{ m}^3/\text{kg}$ و

$U_g = 3 \times 10^{-3} \text{ m}^3/\text{kg}$ می‌باشند. مخزنی به حجم 5 m^3 حاوی 20 kg مخلوط مایع و بخار نیتروژن در دمای

100K است. چند درصد مخلوط را بخار تشکیل می‌دهد؟

۴۸ (۱) ۶۹ (۲)

۸۲ (۳) ۹۸ (۴)

۷۳- در مورد قانون هنری، گزینه صحیح، کدام است؟

(۱) در غلظت‌های کم، با افزایش غلظت، مقدار فوگاسیته را به صورت خطی افزایشده، و در غلظت‌های زیاد با افزایش غلظت به صورت توانی افزایشده پیش‌بینی می‌کند.

(۲) در غلظت‌های کم، با افزایش غلظت مقدار فوگاسیته را ثابت، و در غلظت‌های زیاد با افزایش غلظت آن را به صورت خطی افزایشده، پیش‌بینی می‌کند.

(۳) همواره با افزایش غلظت، مقدار فوگاسیته را به صورت توانی افزایشده، پیش‌بینی می‌کند.

(۴) همواره با افزایش غلظت، مقدار فوگاسیته را به صورت خطی افزایشده، پیش‌بینی می‌کند.

۷۴- یک سیکل تبرید (Refrigeration)، با گاز فرئون $R = 12$ بین دو دمای 21°C - در تبخیرکننده و 42°C در

کندانسور کار می‌کند. اگر ضریب پیشرفت این سیکل ۵۵ درصد سیکل تبرید کارنو، بین همان دو دما و قدرت مصرفی

کمپرسور $1/9 \text{ kw}$ باشد، نرخ تولید سرما بر حسب kw چقدر خواهد بود؟

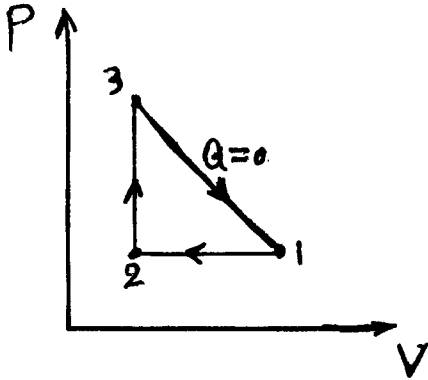
۲/۲۹ (۱) ۴/۱۸ (۲)

۵/۲۸ (۳) ۶/۲۷ (۴)

۷۵- یک موتور حرارتی ایده آل (Ideal Heat Engine)، با سیال گازی بر اساس سیکل نشان داده شده در شکل زیر، عمل

می کند. اگر، نسبت حجم $r_v = \frac{V_1}{V_2}$ ، نسبت فشار $r_p = \frac{P_2}{P_1}$ ، $k = \frac{C_p}{C_v}$ باشد. بازدهی حرارتی η_{th} موتور

توسط کدام یک از روابط زیر به دست می آید؟



$$\eta_{th} = 1 - k \left(\frac{r_v - 1}{r_p - 1} \right) \quad (1)$$

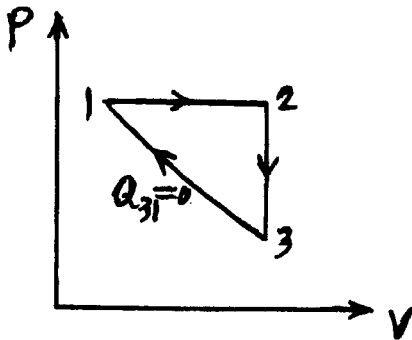
$$\eta_{th} = 1 - \frac{1}{k} \left(\frac{1 - r_p}{1 - r_v} \right) \quad (2)$$

$$\eta_{th} = 1 - \frac{1}{k} \left(\frac{r_p^k - 1}{r_v - 1} \right) \quad (3)$$

$$\eta_{th} = 1 - k \left(\frac{r_v^k}{r_p - 1} \right) \quad (4)$$

۷۶- یک دستگاه پیستون - سیلندر حاوی مقداری گاز با حجم و فشار اولیه 2 m^3 و 100 kPa می باشد. این گاز پس از انجام سه

فرآیند برگشت پذیر متوالی، مجدداً به حالت اولیه اش بر می گردد. $V_2 = 2V_1$ ، $\Delta U_{31} = 120 \text{ kJ}$. تحت این شرایط گزینه ی درست کدام است؟



(۱) طی فرآیند سیکلی، تغییر انرژی داخلی کل سیستم 80 kJ است؛ و طی فرآیند سرمایش 120 kJ گرما از سیستم دفع می شود.

(۲) طی فرآیند سیکلی، سیستم 400 kJ کار انجام می دهد، ولی مجموعاً 200 kJ گرما از دست می دهد.

(۳) طی فرآیند سیکلی، سیستم 320 kJ گرما از دست می دهد، و به همین مقدار هم کار بر روی سیستم انجام می یابد.

(۴) طی فرآیند سیکلی، سیستم 80 kJ گرما دریافت می کند، و به همین مقدار هم کار توسط سیستم انجام می یابد.

۷۷- در صورتی که برای یک مخلوط دو جزیبی، در دما و فشار مشخص داشته باشیم: $H^E = x_1 x_2 (40 x_1 + 20 x_2)$ ، مقدار

\bar{H}_1^E برابر کدام است؟

$$20 - 60 x_1^2 + 40 x_1^2 \quad (2)$$

$$400 x_1 + 600 x_2 \quad (1)$$

$$40 x_1^2 \quad (4)$$

$$20 + 40 x_1^2 \quad (3)$$

۷۸- اگر برای یک مخلوط دو جزیی $g^E = Ax_1x_2$ باشد، مقدار ضریب فعالیت برای ماده یک، کدام خواهد بود؟

$$e^{\left[\frac{Ax_1^2}{RT}\right]} \quad (2) \qquad e^{\left[\frac{Ax_2^2}{RT}\right]} \quad (1)$$

$$\frac{Ax_2^2}{RT} \quad (4) \qquad \frac{Ax_1x_2}{RT} \quad (3)$$

۷۹- معادله های $\ln\gamma_1 = x_1(A + Bx_2)$ و $\ln\gamma_2 = x_2(A - Bx_1)$ ، برقرار می باشد. تابع $\left(\frac{G^E}{RT}\right)$ کدام است؟

$$A(x_1^2 + x_2^2) + Bx_1x_2(x_1 - x_2) \quad (2) \qquad A(x_1^2 + x_2^2) \quad (1)$$

$$x_1x_2(Ax_1 - Bx_2) \quad (4) \qquad Bx_1x_2 \quad (3)$$

۸۰- در یک مخلوط دوتایی $\bar{H}_1^E = 60x_2^2$ ، کدام گزینه در ارتباط با \bar{H}_2^E ، صحیح می باشد؟

$$-120x_1^2 \quad (2) \qquad 60x_1^2 \quad (1)$$

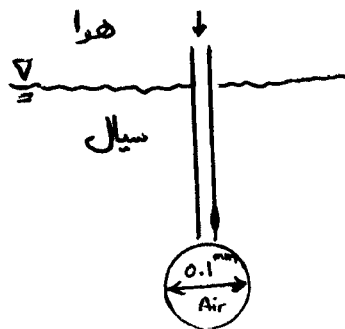
$$60x_2(x_2 - 2) \quad (4) \qquad 60x_1(x_1 - 2) \quad (3)$$

مکانیک سیالات و انتقال حرارت

۸۱- کدام فشار هوا (برحسب kPa)، می بایست درون لوله باریکی که به اندازه 10° سانتی متر در زیر سطح آزاد سیالی با دانسیته

$$\rho = 1000 \frac{\text{kg}}{\text{m}^3}$$

قرار دارد، دمیده شود، تا قطر حباب های ایجاد شده، اندازه 1 mm داشته باشد؟



$$g = 10 \frac{\text{m}}{\text{s}^2}, \quad \sigma = 0.025 \frac{\text{N}}{\text{m}}$$

- (۱) مطلق، ۲
- (۲) نسبی، ۲
- (۳) مطلق، ۳
- (۴) نسبی، ۳

۸۲- خط لوله ای به طول 20 متر و قطر 5 سانتی متر، آب را از مخزن ۱ به مخزن ۲ منتقل می کند. اگر مخزن ۱ به اندازه یک سانتی متر بالاتر از مخزن ۲ باشد، اختلاف فشار بین خروجی و ورودی $(P_2 - P_1)$ این خط لوله با فرض آنکه عدد رینولدز برابر 1000 باشد، تقریباً چند پاسکال است؟

$$-95 \quad (2) \qquad -105 \quad (1)$$

$$105 \quad (4) \qquad 95 \quad (3)$$

۸۳- اگر شتاب کامیونی که مخزن آب با سطح مقطع $2\text{m} \times 2\text{m}$ را حمل می نماید؛ و ارتفاع آب درون آن در حالت سکون 2m می باشد، برابر با مقدار ثابت $10\sqrt{3} \frac{\text{m}}{\text{s}^2}$ باشد، اختلاف ارتفاع بین بالاترین و پایین ترین نقطه سطح آزاد آب درون مخزن،

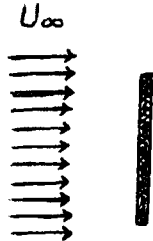
$$g = 10 \frac{\text{m}}{\text{s}^2}$$

چند متر خواهد بود؟

$$\sqrt{3} \quad (2) \qquad 1 \quad (1)$$

$$2\sqrt{3} \quad (4) \qquad 2 \quad (3)$$

- ۸۴- معادله ناوراستوکس را، در کدام یک از حالت‌های زیر، نمی‌توان به کار برد؟
 (۱) جریان، آشفته باشد.
 (۲) جریان، آرام باشد.
 (۳) سیال، نیوتنی باشد.
 (۴) سیال، خواص ثابت نداشته باشد.
- ۸۵- یک صفحه نازک مطابق شکل روبه‌رو، در مسیر جریان سیال قرار گرفته است. در صورتی که متوسط فشار در جلو و پشت صفحه به ترتیب $\frac{1}{4}$ و $\frac{1}{7}$ فشار نقطه سکون و $\frac{1}{4}$ و $\frac{1}{7}$ فشار نقطه سکون (خلاء) باشد، ضریب درگ، کدام است؟



- (۱) $\frac{1}{15}$
 (۲) $\frac{1}{3}$
 (۳) $\frac{1}{55}$
 (۴) $\frac{1}{1}$

- ۸۶- در پمپ‌ها، کاویتاسیون در چه زمانی رخ می‌دهد؟
 (۱) مقدار NPSH، کم‌تر از ۲ باشد.
 (۲) NPSH موجود، بیش‌تر از NPSH مورد نیاز باشد.
 (۳) NPSH موجود، کم‌تر از NPSH مورد نیاز باشد.
 (۴) فشار سیال ورودی، بیش از فشار بخار سیال ورودی باشد.
- ۸۷- در یک خط لوله گاز، برای اندازه‌گیری دبی عبوری از یک اریفیس استفاده شده است. دانسیته سیال عبوری از لوله دو برابر دانسیته گاز اولیه شده و افت فشار در این حالت، چهار برابر افت فشار سیستم در حالت اولیه می‌باشد. دبی عبوری در حالت دوم چند برابر مقدار قبلی است؟

- (۱) $\frac{1}{5}$
 (۲) $\sqrt{2}$
 (۳) ۲
 (۴) ۳

- ۸۸- سیالی، درون خط لوله تازه احداث شده‌ای در حال حرکت می‌باشد. پس از گذشت ۵ سال از کارکرد لوله، مشاهده شده که تنش برشی اعمال شده به جداره لوله، دو برابر مقدار اولیه می‌باشد. در این حالت ضریب اصطکاک (f) و افت فشار (Δp) چند برابر شده است؟

- (۱) f یک و نیم برابر و Δp ثابت مانده است.
 (۲) f سه برابر و Δp ثابت مانده است.
 (۳) f و Δp هر دو، دو برابر شده‌اند.
 (۴) f چهار برابر و Δp دو برابر شده است.

- ۸۹- الگوی جریان در پره‌های از نوع است.
 (۱) Paddle - شعاعی
 (۲) Propeller - شعاعی
 (۳) Turbine - شعاعی
 (۴) Propeller - شعاعی، محوری

- ۹۰- کدام گزینه در مورد یک جریان مافوق صوت صحیح است؟
 (۱) افزایش سطح مقطع سبب افزایش سرعت می‌گردد.
 (۲) کاهش سطح مقطع سبب افزایش سرعت می‌گردد.
 (۳) افزایش سطح مقطع سبب کاهش سرعت می‌گردد.
 (۴) کاهش و یا افزایش سطح مقطع تأثیری بر سرعت نخواهد داشت.

- ۹۱- در صورتی که بخواهیم گرمای عبوری از دیواره بتونی، ۸۰ درسد دیواره کامپوزیتی با $K = \frac{1}{25} \frac{W}{m.K}$ و ضخامت

- ۱۰۰ mm باشد، ضخامت دیوار بتونی چند میلی‌متر خواهد بود؟ ضریب انتقال حرارت هدایتی دیواره بتونی $\frac{1}{75} \frac{W}{m.K}$ می‌باشد. فرض کنید هر دو دیوار در معرض اختلاف دمای یک نمی‌باشد.
 (۱) ۲۵۰
 (۲) ۳۷۵
 (۳) ۵۰۰
 (۴) ۷۵۰

۹۲- ضریب کلی انتقال حرارت بر اساس سطح داخلی لوله، در یک مبدل حرارتی پوسته - لوله، کدام است؟

$$(1) \frac{1}{\frac{1}{h_i} + \frac{A_i \ln\left(\frac{r_o}{r_i}\right)}{2\pi kL} + \frac{A_o}{A_i} \frac{1}{h_o}}$$

$$(2) \frac{1}{\frac{1}{h_i} + \frac{A_i \ln\left(\frac{r_o}{r_i}\right)}{2\pi kL} + \frac{A_i}{A_o} \frac{1}{h_o}}$$

$$(3) \frac{1}{\frac{1}{h_i} + \frac{A_i \ln\left(\frac{r_i}{r_e}\right)}{2\pi kL} + \frac{A_i}{A_e} \frac{1}{h_o}}$$

$$(4) \frac{1}{\frac{1}{h_i A_i} + \frac{A_i \ln\left(\frac{r_o}{r_i}\right)}{2\pi kL} + \frac{A_o}{A_i} \frac{1}{h_o}}$$

۹۳- یک کوره مکعبی شکل به ابعاد $100 \times 100 \times 100 \text{ cm}$ از آجر نسوزی با ضخامت 10° سانتی‌متر و $K = 1 \frac{\text{W}}{\text{m}^\circ\text{C}}$ ساخته شده است.

درجه حرارت داخلی کوره 640° و درجه حرارت بیرون 40° درجه سانتی‌گراد می‌باشد. مقدار اتلاف حرارت از دیواره‌های کوره چند کیلو وات است؟

(۱) $38,1$
 (۲) $40,6$
 (۳) $65,6$
 (۴) $74,7$

۹۴- در لوله‌ای به قطر D ، سیالی با سرعت V جریان دارد، ضریب جابه‌جایی اندازه گرفته شده برابر $200 \frac{\text{W}}{\text{m}^\circ\text{C}}$ می‌باشد

(جریان در داخل لوله مغشوش است). چنانچه این سیال در لوله دیگری به قطر $4D$ و سرعت $4V$ نسبت به حالت قبل باشد،

ضریب جابه‌جایی این سیال در لوله دوم در واحد $\frac{\text{W}}{\text{m}^\circ\text{C}}$ چقدر است؟ تمام شرایط دیگر (دما) در هر دو حالت یکسان

است؟

$$(1) \frac{1}{2}, (2) \frac{1}{5}, (3) \frac{1}{8}, (4) \frac{1}{16}$$

(۱) 264
 (۲) 304
 (۳) 696
 (۴) 1056

۹۵- توزیع دما در یک دیوار، به صورت $T = 15 \cdot x^3 - 6 \cdot x^2 + 95$ داده شده است. وضعیت این دیوار با کدام یک از حالات زیر منطبق است؟

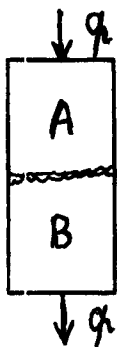
- (۱) از این دیوار در $x = 0$ ، حرارت خارج می‌شود.
 (۲) این دیوار در $x = 0$ ، عایق شده است.
 (۳) به این دیوار در $x = 0$ ، گرما وارد می‌شود.
 (۴) دما در وسط این دیوار، ماکزیمم است.

۹۶- یک لوله داغ به وسیله ماده عایقی پوشانده شده است. اگر شعاع این لوله از شعاع بحرانی باشد، اتلاف گرمایی با عایق‌بندی لوله
 (۱) بیشتر، افزایش می‌یابد.
 (۲) کم‌تر، کاهش می‌یابد.
 (۳) بیشتر، ابتدا بیشتر شده و سپس کاهش می‌یابد.
 (۴) کم‌تر، ابتدا بیشتر شده و سپس کاهش می‌یابد.

۹۷- اگر صفحه‌ای در یک محیط قرار گیرد؛ که انتقال گرما از صفحه به محیط به صورت جابه‌جایی آزاد باشد، چنانچه محیط هوا باشد و در حالت اول فشار هوا برابر ۱ اتمسفر فرض شود؛ و در حالت دوم فشار هوا ۲ برابر شود، عدد گرشف در حالت دوم نسبت به حالت اول در صورتی که شرایط دیگر ثابت بماند، برابر کدام است؟

$$\begin{array}{ll} \frac{1}{4} & (1) \\ \frac{1}{2} & (2) \\ 2 & (3) \\ 4 & (4) \end{array}$$

۹۸- دو وسیله جامد A و B مطابق شکل زیر با یکدیگر در تماس می‌باشند. اگر درجه حرارت در دو طرف میله‌ها متفاوت باشد و سطح جانبی آن‌ها عایق بندی شده باشد، مکانیسم انتقال حرارت در محل تماس دو میله عبارتست از:



- (۱) جابه‌جایی حرارتی در نقاط اتصال جامدات و نیز از طریق گازهای حبس شده در فضاهای خالی سطح تماس
- (۲) هدایت حرارتی توسط ارتعاشات ملکولی جامد و جابه‌جایی از طریق گازهای حبس شده در فضاهای خالی سطح تماس
- (۳) هدایت حرارتی از جامد به جامد و جابه‌جایی از طریق گازهای حبس شده در فضاهای خالی سطح تماس
- (۴) هدایت حرارتی از جامد به جامد و هدایت از طریق گازهای -حبس شده در فضاهای خالی سطح تماس

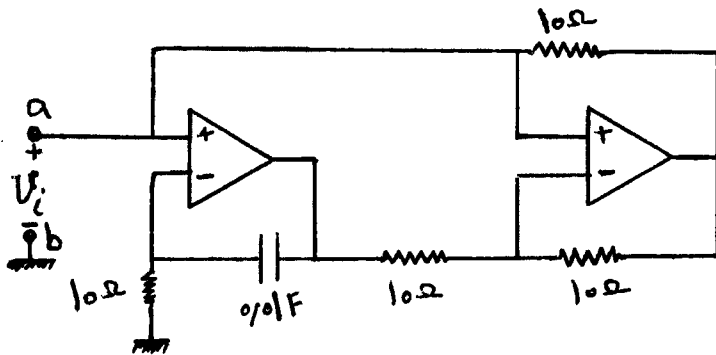
۹۹- در یک دیوار تخت با ضریب هدایتی $25 \frac{W}{m \cdot C}$ ، حرارتی معادل $4 \times 10^4 \frac{W}{m^2}$ تولید می‌شود. در یک لحظه توزیع دما به صورت $T(x, y, z) = -400x^2 + 200xy + 200y^2 - 800z^2$ داده شده است. گزینه‌ی صحیح، در این مورد کدام است؟

- (۱) دیوار در حالت پایا می‌باشد.
- (۲) دیوار در حالت گرم شدن است.
- (۳) دیوار در حالت سرد شدن است.
- (۴) مقاومت حرارتی دیوار خیلی کوچک است.

۱۰۰- در یک مخزن، هوا با سرعتی وارد می‌شود، که عدد رنولدز برابر 2000 و عدد گرشف در این مخزن برابر 4×10^7 می‌باشد. انتقال گرما در این مخزن، به کدام صورت است؟

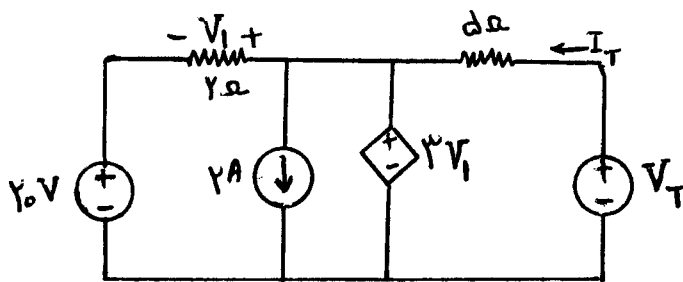
- (۱) بستگی به سرعت سیال دارد و با این داده‌ها نمی‌توان اظهار نظر نمود.
- (۲) جابه‌جایی اجباری
- (۳) جابه‌جایی آزاد
- (۴) مخلوطی از جابه‌جایی آزاد و اجباری

۱۰۱- در مدار روبه‌رو، تقویت‌کننده‌های عملیاتی ایده‌آل می‌باشند. سلف معادل در سرهای a و b، چند هانری است؟



- (۱) ۰٫۱
- (۲) ۰٫۰۱
- (۳) ۱
- (۴) ۱۰

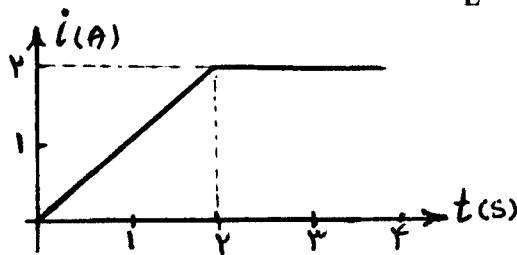
۱۰۲- در مدار روبه‌رو، رابطه V_T و I_T ، کدام است؟ (V_T بر حسب ولت و I_T بر حسب آمپر است.)



- (۱) $V_T = 3I_T + 20$
- (۲) $V_T = 5I_T + 30$
- (۳) $V_T = 7I_T + 10$
- (۴) $V_T = 7I_T + 20$

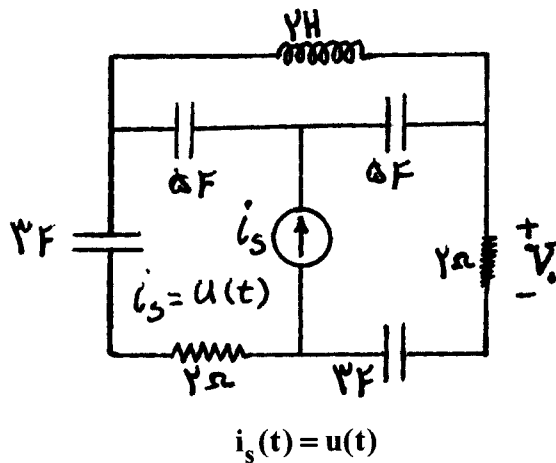
۱۰۳- در یک مدار LC سری با $L = 10\text{H}$ ، $C = 0.1\text{F}$ ، جریان i به شکل زیر می‌باشد. انرژی دریافت شده توسط این مدار در

فاصله زمانی $1\text{s} \leq t \leq 3\text{s}$ ، چند ژول است؟ $i_L(0) = 0$ ، $v_C(0) = 0$



- (۱) ۱۵
- (۲) $78/75$
- (۳) $93/75$
- (۴) ۱۰۰

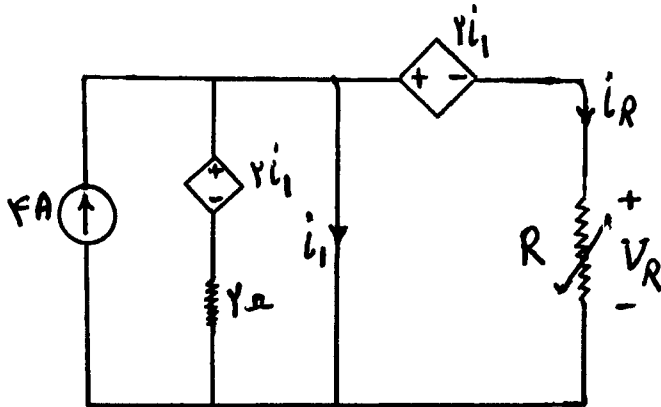
۱۰۴- در شکل روبه‌رو، v_o ، کدام است؟ تمامی مقادیر اولیه (ولتاژ خازن‌ها و جریان سلف)، صفر می‌باشند.



$i_s(t) = u(t)$

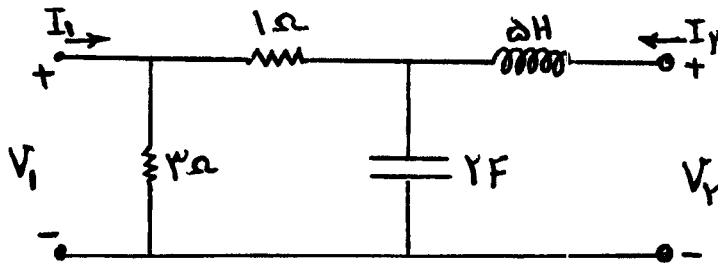
- (۱) $u(t)$
- (۲) $tu(t)$
- (۳) $\frac{1}{2}u(t)$
- (۴) $\frac{1}{2}tu(t)$

۱۰۵- در مدار غیر خطی روبه‌رو، ولتاژ v_R چند ولت می‌تواند باشد؟ مقاومت غیر خطی R با رابطه $i_R = v_R + 3v_R$ توصیف می‌شود؟



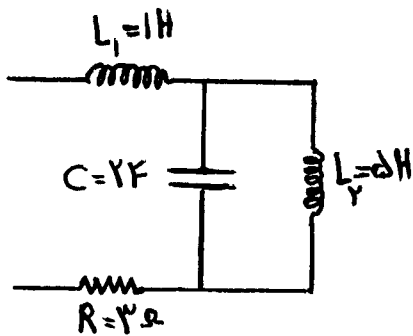
- (۱) ۲
- (۲) ۳
- (۳) ۲ و -۲
- (۴) ۱ و -۴

۱۰۶- در مدار دو قطبی روبه‌رو، پارامتر ادمیتانس Y_{12} ، کدام است؟



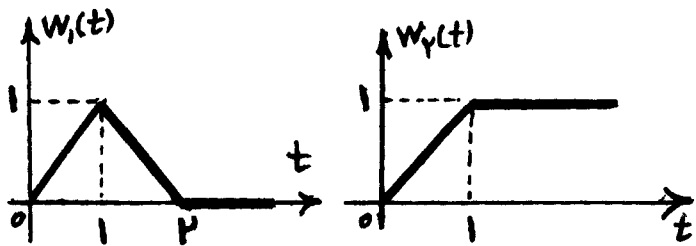
- (۱) $\frac{-1}{1 + \Delta s - 10s^2}$
- (۲) $\frac{-1}{1 + \Delta s - \Delta s^2}$
- (۳) $\frac{-1}{1 + \Delta s + \Delta s^2}$
- (۴) $\frac{-1}{1 + \Delta s + 10s^2}$

۱۰۷- فرکانس تشدید مدار روبه‌رو، چند هرتز است؟



- (۱) $\frac{\sqrt{0.3}}{\pi}$
- (۲) $\frac{\sqrt{0.6}}{2\pi}$
- (۳) $\frac{\sqrt{0.3}}{2\pi}$
- (۴) $\frac{\sqrt{0.6}}{\pi}$

۱۰۸- در یک مدار LTI، پاسخ به ورودی $w_1(t)$ برابر $y_1(t) = \delta(t)$ می‌باشد. پاسخ به ورودی $w_2(t)$ که به صورت $y_2(t)$ می‌باشد، مطابق کدام یک از گزینه‌های زیر است؟



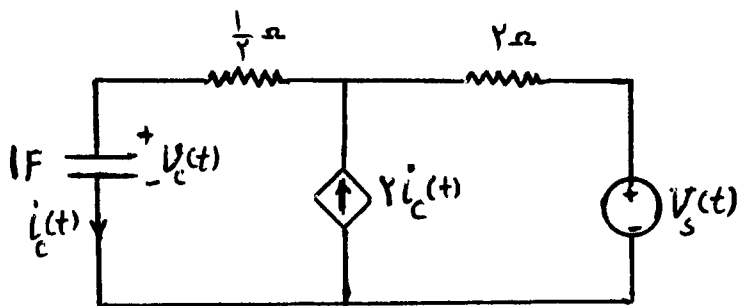
(۱) $y_2(t) = \delta(t) + \delta(t-1) + \delta(t-2) + \delta(t-3) + \dots$

(۲) $y_2(t) = \delta(t) - \delta(t-1) + \delta(t-2) - \delta(t-3) + \dots$

(۳) $y_2(t) = u(t) + u(t-1) + u(t-2) + u(t-3) + \dots$

(۴) $y_2(t) = u(t) - u(t-1) + u(t-2) - u(t-3) + \dots$

۱۰۹- در شکل روبه‌رو، پاسخ پله واحد $i_c(t)$ ، چگونه است؟



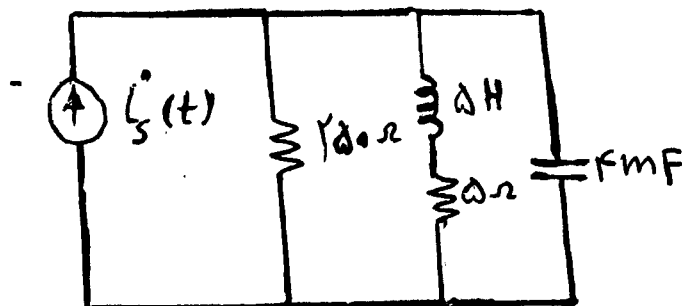
(۱) $i_c(t) = -\frac{2}{3}e^{+\frac{2}{3}t}u(t)$

(۲) $i_c(t) = -\frac{3}{2}e^{+\frac{2}{3}t}u(t)$

(۳) $i_c(t) = \frac{2}{3}e^{-\frac{2}{3}t}u(t)$

(۴) $i_c(t) = \frac{3}{2}e^{-\frac{2}{3}t}u(t)$

۱۱۰- در مدار روبه‌رو، وقتی ضریب توان مدار عدد یک باشد، توان مصرفی مدار چند وات است؟



$i_s(t) = 2\sqrt{F} \cos \omega t$

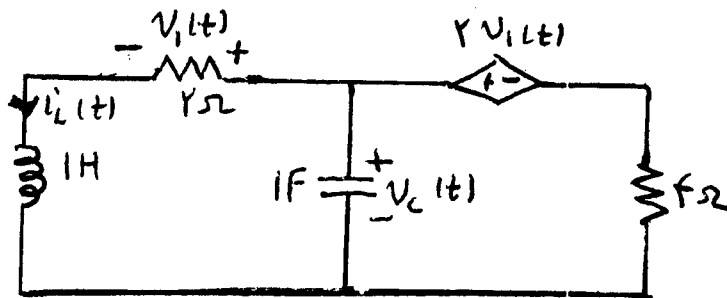
(۱) ۱۲۵

(۲) ۲۵۰

(۳) ۳۲۵

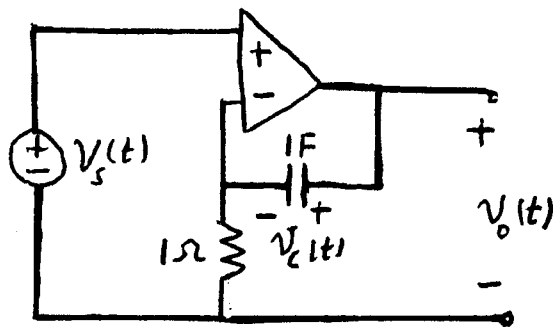
(۴) ۵۰۰

۱۱۱- در مدار روبه‌رو، اگر $v_C(0^-) = 1V$ ، $i_L(0^-) = -1A$ باشد، منادیر $v_C(0^+)$ و $i_L(0^+)$ به ترتیب کدام است؟



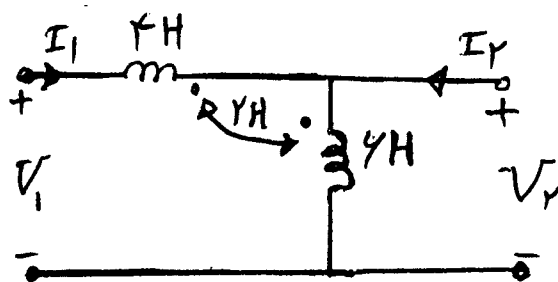
- (۱) -۲ و -۱
- (۲) -۱ و -۱/۴
- (۳) -۱ و -۱/۴
- (۴) ۰ و ۰

۱۱۲- مدار روبه‌رو، در حالت دائمی سینوسی است. اگر $V_O(t) = \cos t u(t)$ باشد، ولتاژ خازن $V_C(t)$ در حالت دائمی سینوسی، کدام است؟ تقویت کننده عملیاتی ایده آل فرض می‌شود.



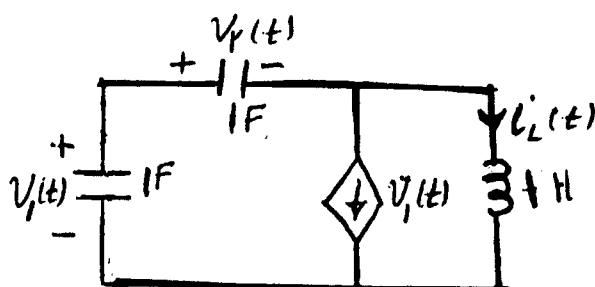
- (۱) $\frac{\sqrt{2}}{2} \cos(t + 45^\circ) u(t)$
- (۲) $\frac{\sqrt{2}}{2} \cos(t - 45^\circ) u(t)$
- (۳) $\sqrt{2} \cos(t + 45^\circ) u(t)$
- (۴) $\sqrt{2} \cos(t - 45^\circ) u(t)$

۱۱۳- دو قطبی شکل روبه‌رو، کدام است؟



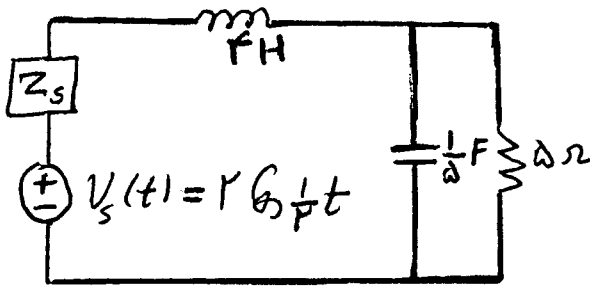
- (۱) فقط متقارن
- (۲) فقط متقابل
- (۳) هم پاسخ و متقارن
- (۴) هم پاسخ و متقابل

۱۱۴- معادله مفسر مدار روبه‌رو، چگونه است؟



- (۱) $(S^2 + 2) = 0$
- (۲) $S(S^2 + 2) = 0$
- (۳) $(S^2 + S + 2) = 0$
- (۴) $S(S^2 + S + 2) = 0$

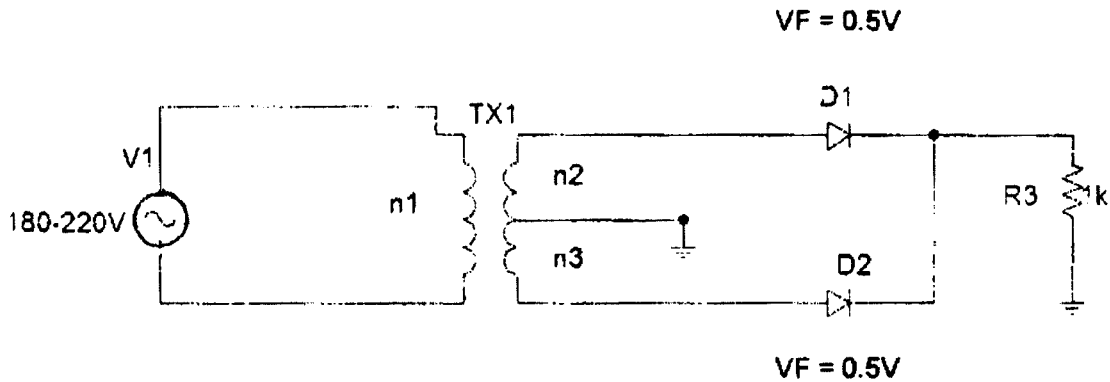
۱۱۵- در مدار روبه‌رو، برای آنکه حداکثر توان از منبع گرفته شود: Z_S ، کدام است؟



- (۱) 4Ω
- (۲) 5Ω
- (۳) $4 - j10$
- (۴) $5 + j10$

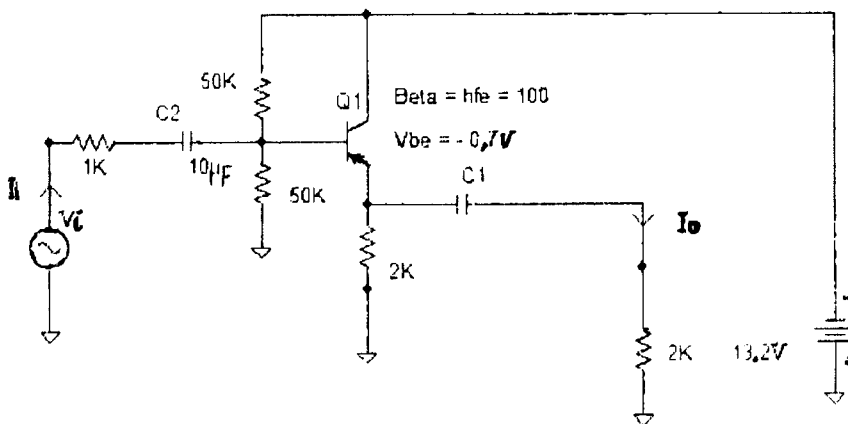
الکترونیک ۱ و ۲

۱۱۶- در مدار زیر، چنانچه جهت تعداد دورهای ترانسفرمر کاهنده برق شهر روابط $\frac{n_2}{n_1} = 0.1$ و $n_3 = 2n_2$ برقرار باشد، گزینه صحیح کدام است؟



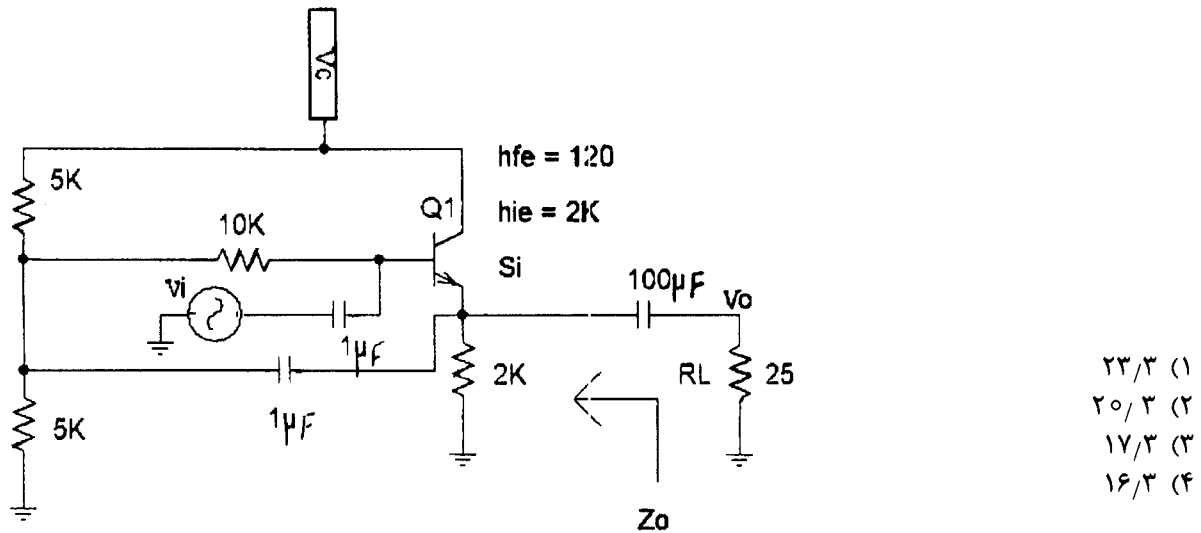
- (۱) حداقل PIV مورد نیاز برای دیودها، یکسان و برابر $46/27$ می‌باشد.
- (۲) حداقل PIV مورد نیاز برای دیودها، یکسان و برابر $32/57$ می‌باشد.
- (۳) حداقل PIV مورد نیاز برای دیودها، D_1 و D_2 به ترتیب $21/57$ و $10/57$ می‌باشد.
- (۴) حداقل PIV مورد نیاز برای دیودها، D_1 و D_2 به ترتیب $30/67$ و $15/17$ می‌باشد.

۱۱۷- بهره جریانی I_o / I_i در مدار شکل زیر، کدام است؟

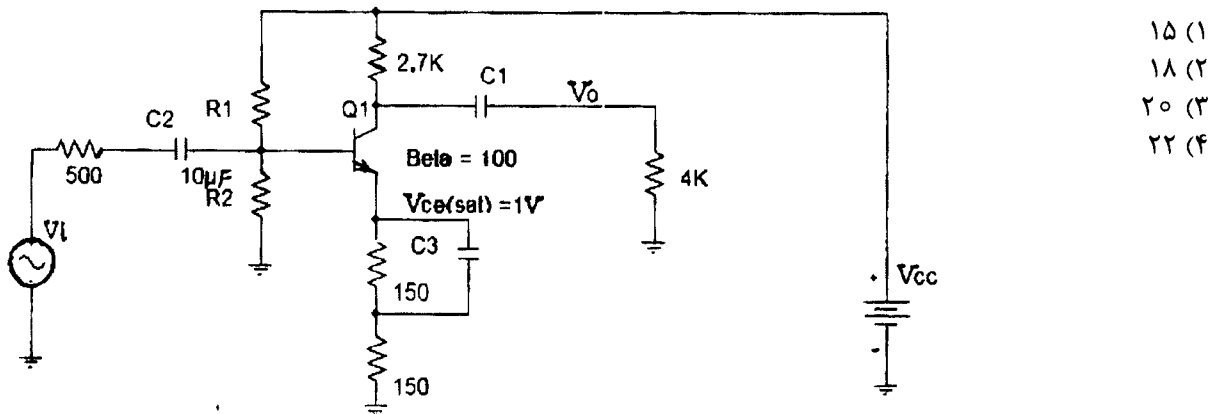


- (۱) ۱۰
- (۲) ۱۲
- (۳) ۱۵
- (۴) ۱۸

۱۱۸- امپدانس خروجی Z_o در مدار زیر، کدام است؟



۱۱۹- در مدار زیر، مقادیر R_1 ، R_2 و V_{cc} به شکلی انتخاب می‌شوند؛ که مدار توانایی ایجاد ولتاژ سینوسی حداکثر با دامنه $6/44V$ در خروجی را داشته باشد، مقدار V_{cc} برابر چند ولت است؟ خازن‌ها دارای امپدانس کم می‌باشند.



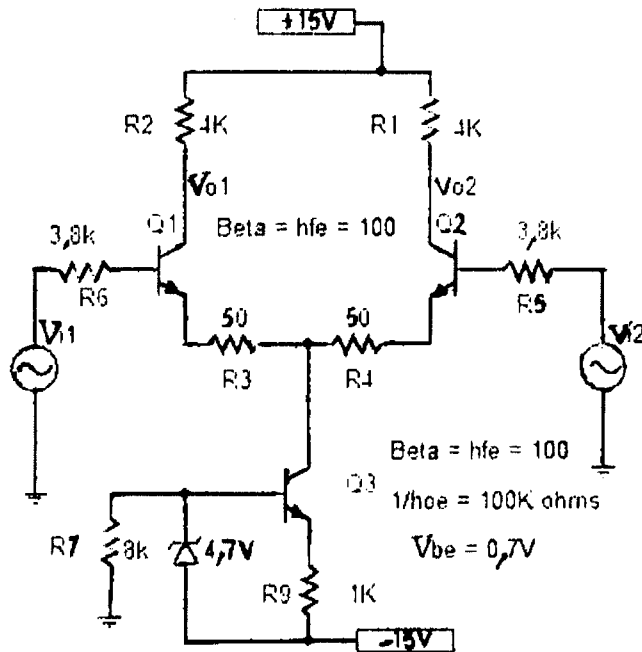
۱۲۰- یک آمپلی فایر با قدرت کلاس B (پوش پول) که با یک منبع تغذیه می‌شود؛ یک موج سینوسی را تقویت نموده و حداکثر توان که در مقاومت بار 4Ω می‌تواند ایجاد نماید، $25W$ است. چنانچه بازده این آمپلی فایر تحت شرایطی 70% باشد. توانی که در هر ترانزیستور در این حالت تلف می‌شود، چند وات است؟

۴ (۱)
 ۴/۲۵ (۲)
 ۵ (۴)
 ۴/۵ (۳)

۱۲۱- چهار ترانزیستور با قدرت مشابه بر روی یک خنک کننده نصب شده‌اند؛ و توان‌های مصرفی آن‌ها: $15W, 10W, 5W$ و $20W$ می‌باشد. مقاومت گرمایی بین پیوند و محفظه هر ترانزیستور $\theta_{jc} = 1/5^\circ C/W$ و مقاومت گرمایی بین محفظه ترانزیستور و خنک کننده $\theta_{cs} = 0/5^\circ C/W$ می‌باشد. حداکثر دمای اتصال ترانزیستور $T_{j(max)} = 200^\circ C$ است. چنانچه درجه حرارت محیط $60^\circ C$ باشد، مقاومت گرمایی محیط و خنک کننده θ_{sa} چند $\frac{^\circ C}{W}$ است؟

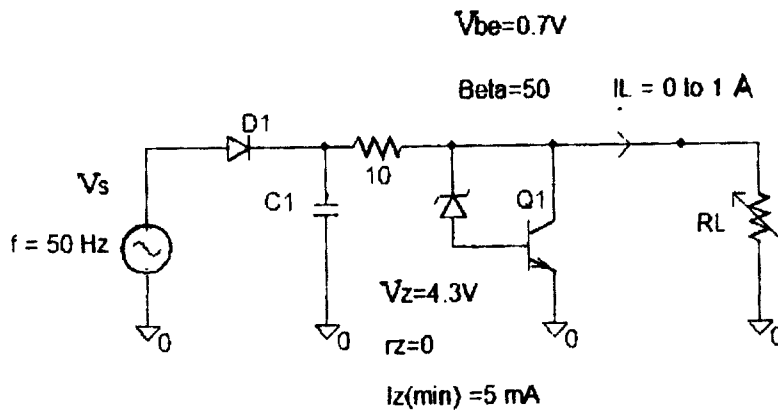
۱/۵ (۱)
 ۱/۸ (۲)
 ۲/۵ (۴)
 ۲/۰ (۳)

۱۲۲- بهره حالت مشترک (Common mode gain) برای هر یک از خروجی‌های نامتقارن آمپلی فایر تفاضلی شکل زیر، کدام است؟



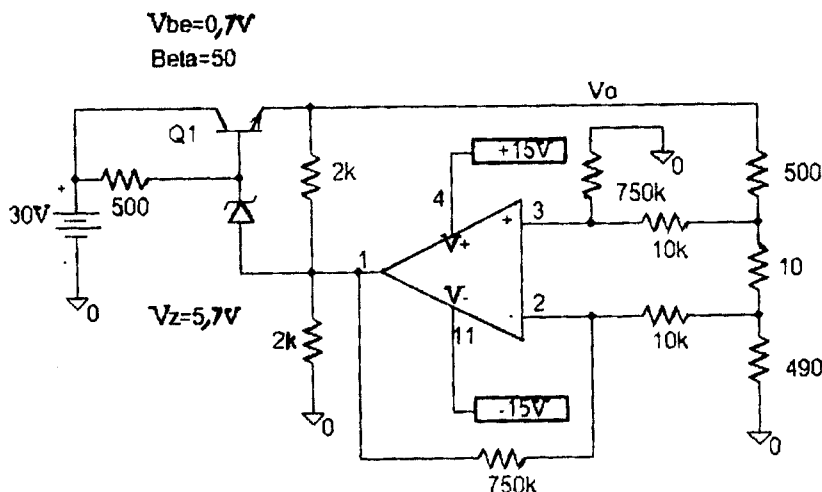
- ۱) ۰/۰۰۰۲۲
- ۲) ۰/۰۰۰۳۲
- ۳) ۰/۰۰۰۴۲
- ۴) ۰/۰۰۰۵۲

۱۲۳- در مدار زیر، جریان در دیود زینر حداکثر به 30 mA می‌رسد. حداقل مقدار خازن C_1 برای آنکه رگولاتور ولتاژ خروجی را تثبیت نماید، چند میکروفاراد باید باشد؟



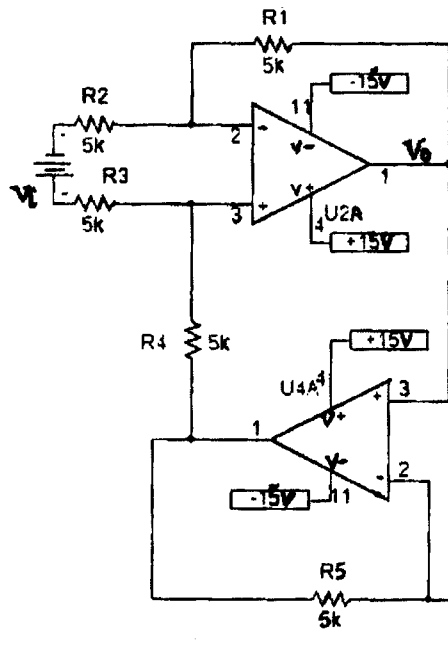
- ۱) ۴۲۰۰
- ۲) ۵۲۰۰
- ۳) ۶۲۰۰
- ۴) ۷۲۰۰

۱۲۴- ولتاژ بین کالکتور و امیتور ترانزیستور Q_1 شکل زیر، چند ولت است؟



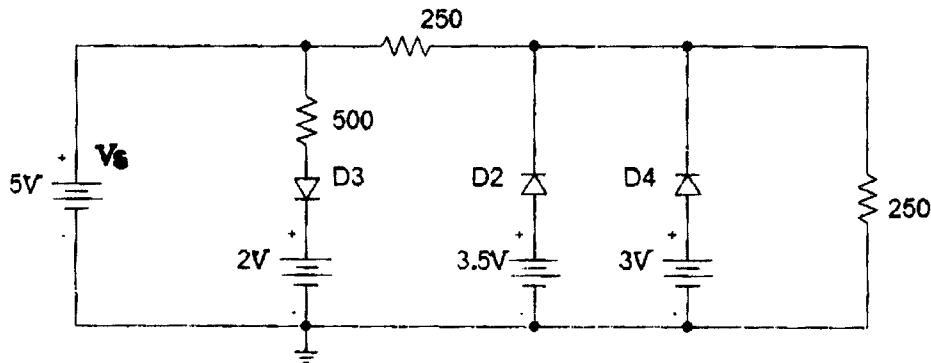
- ۱) ۱۰
- ۲) ۱۵
- ۳) ۲۰
- ۴) ۲۵

۱۲۵- در مدار زیر ولتاژ خروجی V_O چند ولت است؟ مقدار ولتاژ تفاضلی ورودی V_i یک ولت می باشد.



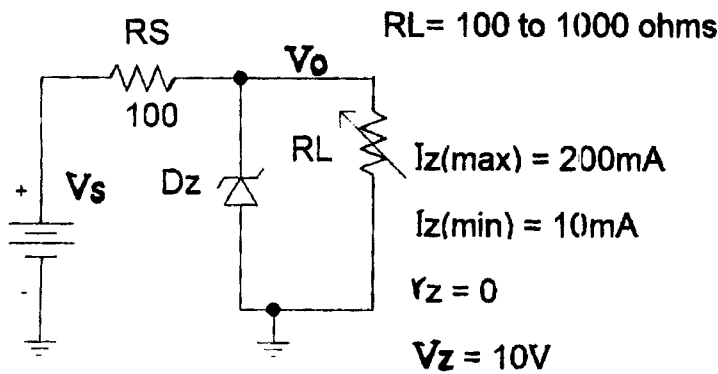
- (۱) $+1/0$
- (۲) $+2/0$
- (۳) $-1/0$
- (۴) $-2/0$

۱۲۶- در شکل زیر، ولتاژ استانه دیودها برابر $6V$ می باشد. جریان منبع تغذیه V_S ، چند میلی آمپر است؟



- (۱) $14/2$
- (۲) $13/2$
- (۳) $12/2$
- (۴) $11/2$

۱۲۷- حداقل و حداکثر ولتاژ V_S برای آنکه ولتاژ خروجی V_O در مدار رگولاتور زیر ثابت نگهداشته شود، چند ولت باید باشد؟

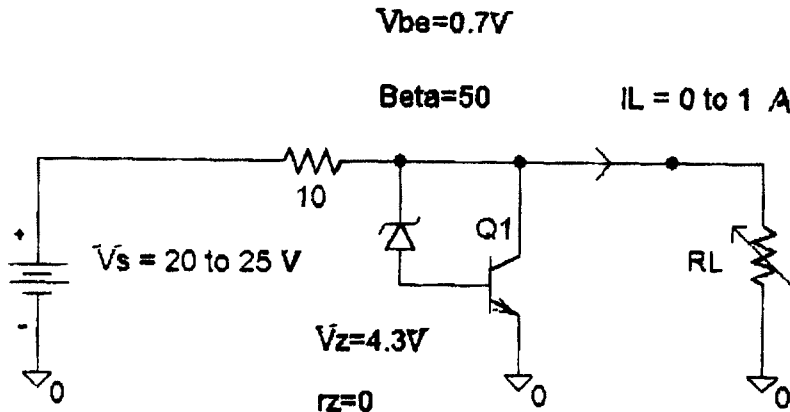


- (۱) $14 - 18$
- (۲) $18 - 20$
- (۳) $20 - 30$
- (۴) $21 - 31$

۱۲۸- یک آمپلی فایر، قدرت کلاس B (پوش پول) که با یک منبع تغذیه می شود، یک موج سینوسی را تقویت نموده و حداکثر توان که در مقاومت بار 5Ω می تواند ایجاد نماید. $25W$ است. چنانچه بازده این آمپلی فایر تحت شرایطی 50% درصد باشد. دامنه موج سینوسی در خروجی آمپلی فایر چند ولت است؟

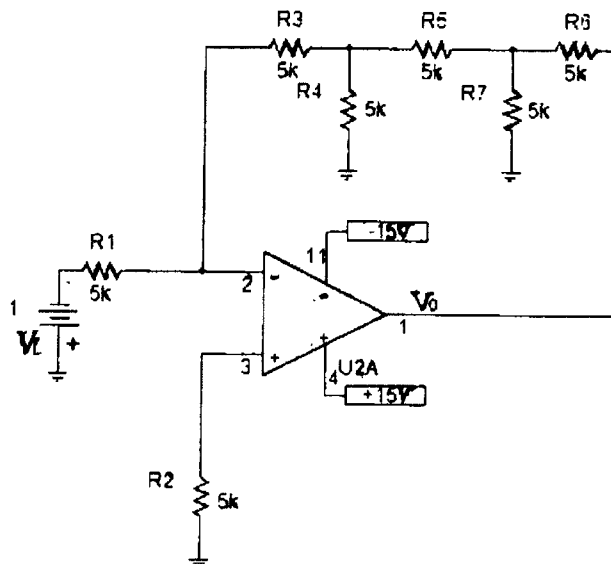
- ۸ (۱)
- ۹ (۲)
- ۱۰ (۳)
- ۱۱ (۴)

۱۲۹- در مدار زیر، حداقل توان لازم جهت ترانزیستور Q_1 ، چند وات است؟



- ۹/۸ (۱)
- ۸/۸ (۲)
- ۷/۸ (۳)
- ۶/۸ (۴)

۱۳۰- در مدار زیر، مقدار ولتاژ V_0 برابر چند ولت است؟ ($V_i = -1$)، مقدار مقاومت ها یکسان می باشد.



- ۶/۰ (۱)
- ۷/۰ (۲)
- ۸/۰ (۳)
- ۸/۵ (۴)

مشاهده کلید سوالات آزمون کارشناسی ارشد سال ۱۳۹۲

کلید سوالات آزمون کارشناسی ارشد سال ۱۳۹۲

به اطلاع داوطلبان شرکت کننده در آزمون کارشناسی ارشد سال ۱۳۹۲ می‌رساند که کلید اولیه سوالات بر روی سایت سازمان سنجش قرار گرفته است. این رو داوطلبان در صورت تمایل می‌توانند تا تاریخ ۹۱/۱۲/۰۶ با مراجعه به سایت سازمان سنجش از طریق [سیستم ارسال و درخواست](#) نسبت به تکمیل فرمی که برای دریافت این نظرات آماده گردیده است اقدام نمایند. لازم به ذکر است نظرات داوطلبان فقط از طریق اینترنت دریافت خواهد شد و به موارد ارسال از طریق دیگر رسیدگی نخواهد گردید با توجه به اینکه بعد از تاریخ ۹۱/۱۲/۰۶ نظرات جمع و کلید اولیه نهایی ساخته خواهد شد هیچ تجدید نظری پس از این تاریخ قابل بررسی نخواهد بود.

کد رشته امتحانی	نام رشته امتحانی	نوع دفترچه	شماره پاسخنامه	گروه امتحانی
1290	مهندسی ابزار دقیق و اتوماسیون در صنایع نفت	C	1	فنی و مهندسی

شماره سوال	گزینه صحیح	شماره سوال	گزینه صحیح	شماره سوال	گزینه صحیح	شماره سوال	گزینه صحیح	شماره سوال	گزینه صحیح
1	2	31	3	61	2	91	2	121	3
2	4	32	4	62	3	92	2	122	2
3	1	33	3	63	3	93	2	123	4
4	3	34	2	64	4	94	1	124	1
5	3	35	4	65	1	95	2	125	4
6	1	36	1	66	1	96	4	126	2
7	4	37	1	67	4	97	4	127	4
8	2	38	2	68	1	98	4	128	3
9	4	39	1	69	3	99	3	129	1
10	3	40	2	70	2	100	3	130	3
11	1	41	2	71	3	101	3		
12	1	42	1	72	3	102	2		
13	4	43	3	73	4	103	3		
14	2	44	4	74	2	104	1		
15	3	45	4	75	1	105	4		
16	4	46	3	76	4	106	4		
17	1	47	1	77	2	107	2		
18	3	48	1	78	1	108	1		
19	2	49	3	79	2	109	1		
20	1	50	2	80	4	110	4		
21	3	51	4	81	2	111	3		
22	1	52	4	82	3	112	2		
23	2	53	2	83	4	113	3		
24	4	54	4	84	4	114	4		
25	4	55	1	85	4	115	1		
26	1	56	2	86	3	116	1		
27	4	57	3	87	2	117	1		
28	2	58	2	88	3	118	4		
29	3	59	1	89	1	119	3		
30	2	60	1	90	1	120	2		

خروج