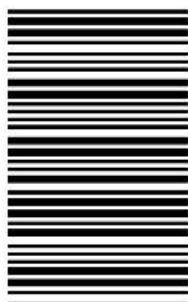


کد کنترل

453

F



453F

عصر پنجشنبه

۱۳۹۹/۵/۲



جمهوری اسلامی ایران
وزارت علوم، تحقیقات و فناوری
سازمان سنجش آموزش کشور

«اگر دانشگاه اصلاح شود مملکت اصلاح می‌شود.»
امام خمینی (ره)

آزمون ورودی دوره‌های کارشناسی ارشد ناپیوسته داخل - سال ۱۳۹۹

مهندسی ابزار دقیق و اتوماسیون صنایع نفت - کد (۱۲۹۰)

مدت پاسخ‌گویی: ۲۰۰ دقیقه

تعداد سؤال: ۱۳۰

عنوان مواد امتحانی، تعداد و شماره سؤالات

ردیف	مواد امتحانی	تعداد سؤال	از شماره	تا شماره
۱	زبان عمومی و تخصصی (انگلیسی)	۳۰	۱	۳۰
۲	ریاضیات مهندسی	۱۵	۳۱	۴۵
۳	کنترل خطی و غیرخطی	۱۵	۴۶	۶۰
۴	ترمودینامیک	۲۰	۶۱	۸۰
۵	انتخاب ۲ مکانیک سیالات و انتقال حرارت	۲۰	۸۱	۱۰۰
۶	درس از مدارهای الکتریکی (۲و۱)	۱۵	۱۰۱	۱۱۵
۷	۴ درس الکترونیک (۲و۱)	۱۵	۱۱۶	۱۳۰

این آزمون نمره منفی دارد.

استفاده از ماشین حساب مجاز نیست.

حق چاپ، تکثیر و انتشار سؤالات به هر روش (الکترونیکی و...) پس از برگزاری آزمون، برای تمامی اشخاص حقیقی و حقوقی تنها با مجوز این سازمان مجاز می‌باشد و با متخلفین برابر مقررات رفتار می‌شود.

۱۳۹۹

* داوطلب گرامی، عدم درج مشخصات و امضا در مندرجات جدول ذیل، به منزله عدم حضور شما در جلسه آزمون است.

اینجانب با شماره داوطلبی با آگاهی کامل، یکسان بودن شماره صندلی خود را با شماره داوطلبی مندرج در بالای کارت ورود به جلسه، بالای پاسخنامه و دفترچه سؤالات، نوع و کد کنترل درج شده بر روی دفترچه سؤالات و پائین پاسخنامه ام را تأیید می‌نمایم.

امضا:

زبان عمومی و تخصصی (انگلیسی):

PART A: Vocabulary

Directions: Choose the word or the phrase (1), (2), (3), or (4) that best completes each sentence. Then mark the answer on your answer sheet.

- 1- It had not rained on the prairie for several months. Because of the drought, the climate had become very -----.
1) unsteady 2) rigid 3) intense 4) arid
- 2- Deserted for six months, the property began to look more like a jungle and less like a residence—weed grew ----- in the front yard.
1) unchecked 2) unjustified 3) complicated 4) scanty
- 3- Can you please ----- this last part of the lesson for me; I'm not sure I understood.
1) recapitulate 2) identify 3) postulate 4) recount
- 4- Gerry's dissatisfaction with our work was ----- in his expression, although he never criticized us directly.
1) vulnerable 2) bright 3) implicit 4) humble
- 5- The world's coal, oil and gas ----- are finite; one day they will run out, so think now about what you can do to consume less.
1) appliances 2) deposits 3) relics 4) amenities
- 6- You are recommended to use mnemonics to help you ----- important items of information.
1) enumerate 2) expose 3) recall 4) withdraw
- 7- The lifespan of a mayfly is -----, lasting from a few hours to a couple of days.
1) imprecise 2) ephemeral 3) superficial 4) swift
- 8- His words to the press were deliberately -----; he didn't deny the reports but neither did he confirm them.
1) mutual 2) essential 3) dogmatic 4) equivocal
- 9- Hundreds of people had come to see a popular satire, but during the performance a fire started in the theater, and the audience and actors had to ----- the building immediately.
1) expel 2) evacuate 3) disperse 4) detach
- 10- Computers have helped solve some of the mathematical ----- which have puzzled man for many centuries.
1) conundrums 2) caprices 3) artifacts 4) chronologies

PART B: Cloze Test

Directions: Read the following passage and decide which choice (1), (2), (3), or (4) best fits each space. Then mark the answer on your answer sheet.

When Newton arrived at Cambridge, the Scientific Revolution of the 17th century was already in full force. The heliocentric view of the universe—theorized by astronomers Nicolaus Copernicus and Johannes Kepler, (11) ----- refined by Galileo—was well known in most European academic circles.

Philosopher René Descartes had begun to formulate a new concept of nature (12) ----- an intricate, impersonal and inert machine. (13) -----, like most universities in Europe, Cambridge was steeped (14) ----- Aristotelian philosophy and a view of nature resting on a geocentric view of the universe, (15) ----- with nature in qualitative rather than quantitative terms.

- | | | | | |
|-----|------------------|--------------|---------------|--------------------|
| 11- | 1) and was later | 2) and later | 3) later was | 4) which was later |
| 12- | 1) like | 2) such as | 3) as | 4) the same |
| 13- | 1) Although | 2) As though | 3) Because | 4) Yet |
| 14- | 1) in | 2) for | 3) with | 4) of |
| 15- | 1) dealt | 2) dealing | 3) by dealing | 4) and was dealt |

PART C: Reading Comprehension

Directions: Read the following three passages and answer the questions by choosing the best choice (1), (2), (3), or (4). Then mark the correct choice on your answer sheet.

PASSAGE 1:

The dependence of the oil and gas (O&G) industry on automation has increased in the last decade, and this is expected further to double by 2020. As a result of project cancellation followed by the fall in crude oil prices from 2014 to 2016, multiple rounds of industry layoffs were announced that left O&G companies with reduced number of skilled workers. This increased the dependence of oil companies on automation in order to complete processes without any delay. Initiatives to digitize oil fields are being implemented, and this has led to investing in instrumentation in order to increase productivity and complete projects within defined budgets and timelines. These initiatives have been found to be extremely beneficial, especially in offshore rigs, to gathering production data in a timely manner. However, the current industry challenge is not the inaccessibility of data, but rather how to make the large volume of gathered data more effective. In response to this challenge, the automation sector has evolved from supplying hardware equipment with aftermarket services to becoming more service-based and offering software tools that can translate huge volumes of data into meaningful, intelligent information that can be leveraged to make important business decisions.

Worker and environment safety in oil fields has to be given utmost priority because it deals with dangerous operations in remote locations. One way to ensure safety is to install safety systems at field locations that can detect unexpected events even before

they occur by analyzing the pattern from historic data collected. The trend of selling individual control systems—such as a distributed control system (DCS), supervisory control and data acquisition (SCADA), safety instrumented system (SIS), manufacturing execution system (MES), and industrial asset management (IAM) has changed as demand for an integrated system with multiple functionalities has found to increase. Currently, automation vendors are working towards building Internet of Things (IoT) platforms to connect plants from various locations. These IoT platforms eliminate the need for workers to go to hazardous locations for standard monitoring purposes by enabling remote monitoring capabilities. These platforms can connect every system in every plant at every location, which improves the plant operations visibility to the service providers, customers, and plant managers responsible for decision making. With IoT platforms, customers are provided with the option to choose the required services as per their specific needs.

- 16- Which of the following is NOT a reason for the increased automation in the oil and gas industry?
- | | |
|------------------------------|--|
| 1) Industry layoffs | 2) Need for increased productivity |
| 3) lack of skilled graduates | 4) Need for completing processes in time |
- 17- According to paragraph 1, the present challenge to the O&G industry is -----.
- 1) inaccessibility of data
 - 2) huge volumes of useless data
 - 3) lack of effective hardware tools
 - 4) making sense of massive amounts of data
- 18- It can be understood from paragraph 2 that SIS and MES are -----.
- | | |
|--------------------------------------|--|
| 1) both necessary in oil fields | 2) more reliable than IoT platforms |
| 3) not as popular as they used to be | 4) both examples of integrated systems |
- 19- The word “hazardous” in paragraph 2 is closest in meaning to -----.
- | | | | |
|------------|--------------|-------------|---------------|
| 1) distant | 2) dangerous | 3) desolate | 4) unpleasant |
|------------|--------------|-------------|---------------|
- 20- According to paragraph 2, the key advantage of IoT platforms is that they provide -----.
- 1) remote monitoring capabilities
 - 2) safe environments for workers
 - 3) improvements in plant operation
 - 4) a connection between service providers, customers, and plant managers

PASSAGE 2:

The Process Flow Diagram (PFD) is a highly specialized document that you may actually have never seen. It is, nonetheless, critical to the organized, early development of any complex process. A PFD is the fundamental representation of a process that schematically depicts the conversion of raw materials to finished products without delving into details of how that conversion occurs. It defines the flow of material and utilities, it defines the basic relationships between major pieces of equipment, and it establishes the flow, pressure and temperature ratings of the process.

Project design teams use PFDs most effectively during the developmental stages of a project. During these stages feasibility studies and scope definition work are undertaken prior to commencing detailed design. PFDs are closely associated with material balances. They are used to decide if there are sufficient raw materials and utilities for a project to proceed. Within

an operating company, a plant-wide design group and the site management may use PFDs to document the flow of process materials and utilities among the different units within a facility. There is no generally accepted industry standard to aid in developing the PFD. Consequently, some PFDs show a minimum of detail while others may include significant detail.

- 21- **What does the author mean by the sentence “It is, nonetheless, critical to the organized, early development of any complex process”?**
- 1) The PFD is crucial to complex processes although many people may have not seen it.
 - 2) Although the PFD is a specialized document, most people should be familiar with it.
 - 3) The early stages of the development of any process are the most important ones.
 - 4) Any organized person must use the PFD whenever a process becomes complex.
- 22- **According to paragraph 1, the PFD is all of the following EXCEPT a -----.**
- 1) detailed manual
 - 2) fundamental representation
 - 3) highly specialized document
 - 4) depiction of how raw materials turn into finished products
- 23- **What does paragraph 2 mainly discuss?**
- 1) Project design
 - 2) The use of PFDs
 - 3) Feasibility studies
 - 4) The developmental stages of different projects
- 24- **According to paragraph 2, which of the following is true?**
- 1) Using PFDs may lead to material imbalances.
 - 2) The final stages of a project require PFDs the most.
 - 3) Feasibility studies are done before beginning a detailed design.
 - 4) All different units within a company should have distinct PFDs.
- 25- **The passage would most likely continue with a discussion of -----.**
- | | |
|--|--|
| 1) defining the PFD | 2) accepted industry standards |
| 3) the importance of feasibility studies | 4) two different PFD design approaches |

PASSAGE 3:

The acronym "P&ID" is widely understood within the process industries as the name for the principal document used to define a process - the equipment, piping and all monitoring and control components. The Automation, Systems and Instrumentation Dictionary, 4th edition's definition for a Piping and Instrumentation Drawing (P&ID) tells what they do. P&IDs "show the interconnection of process equipment and the instrumentation used to control the process".

The P&IDs in your facility have probably been produced and revised over many years by many different developers. Many different individuals have documented revisions to the content - and even the symbolism - of your P&IDs to reflect process improvements and additions, as well as changing control technology. Unless you have been incredibly and unbelievably fortunate maintaining your site standards, some of your P&IDs will use symbolism and format that differ from the original and even from each other. As you well know, inconsistent symbolism and format of your P&IDs can be annoying, confusing, and more importantly, it makes information they contain

subject to misunderstandings. Although the P&ID is the overall document used to define the process, the first document developed in the evolution of a process design is often the PFD, the Process Flow Diagram. Once a PFD is released for detail design, the project scope has been established and P&ID development may commence.

P&IDs develop in steps. The key members of the design team - perhaps plant design, piping, process, and project specialists, all lay out a conceptual pass at showing vessels, equipment and major piping. The instrumentation and controls are typically added next, since they often require significant additional space on the P&ID. Or, in the words of one project manager, "you guys sure do have lots of bubbles". Then, the contributions of the specialists in electrical, mechanical equipment, vessels and other disciplines are added. These specialists fill in the information blocks containing equipment numbers, titles and definitive text reserved for critical information regarding the equipment: size, rating, throughput, and utility usage (horsepower). The developmental process is an iterative one. Information is added in steps until the document is complete with all necessary details.

- 26- According to paragraph 1, the main function of P&IDs is -----.
- | | |
|-------------------------|-----------------------|
| 1) controlling pipes | 2) defining a process |
| 3) connecting equipment | 4) documenting events |
- 27- It can be inferred from paragraph 2 that P&IDs -----.
- 1) do not include any detail
 - 2) are usually confusing and annoying
 - 3) mostly contain information about products
 - 4) do not usually stay fixed over time
- 28- What does the word "it" refer to in paragraph 2?
- 1) P&ID
 - 2) format
 - 3) document
 - 4) inconsistent symbolism and format of your P&IDs
- 29- What does paragraph 3 mainly discuss?
- 1) The steps in a process
 - 2) The use of P&IDs
 - 3) The development of piping
 - 4) The responsibilities of the design team
- 30- According to paragraph 3, the instrumentation and controls -----.
- 1) require extra bubbles
 - 2) are not typically added to the P&ID
 - 3) take up considerable space on the P&ID
 - 4) are added after critical information about the equipment has been added

ریاضیات مهندسی:

۳۱- سری فوریه تابع $f(x) = \begin{cases} 0 & -\pi < x \leq 0 \\ \sin x & 0 \leq x < \pi \end{cases}$ به شکل زیر داده شده است:

$$f(x) = \frac{1}{\pi} + \frac{1}{2} \sin x - \frac{2}{\pi} \sum_{n=1}^{\infty} \frac{\cos 2nx}{4n^2 - 1}$$

مقدار سری عددی $s = \sum_{n=1}^{\infty} \frac{1}{(4n^2 - 1)^2}$ کدام است؟

- | | |
|--------------------------------------|--------------------------------------|
| $\frac{\pi^2}{16} - \frac{1}{2}$ (۲) | $\frac{\pi^2}{16} - \frac{1}{2}$ (۱) |
| $\frac{\pi^2}{16} - \frac{1}{4}$ (۴) | $\frac{\pi^2}{16} - \frac{1}{4}$ (۳) |

۳۲- اگر $f(x) = 1 + \sum_{n=1}^{\infty} \frac{(-1)^n \sin(n\pi x)}{n\pi}$ حاصل انتگرال $\int_{-1}^1 f(x) \sin 2x \cos 4x dx$ کدام است؟

- | | |
|-----------------------|----------------------|
| $-\frac{1}{3}\pi$ (۲) | $\frac{1}{3}\pi$ (۱) |
| $-\frac{1}{6}\pi$ (۴) | $\frac{1}{6}\pi$ (۳) |

۳۳- اگر $f(x) = \int_0^{\infty} \frac{\cos wx + w \sin wx}{1+w^2} dw$ حاصل $\int_{-\infty}^{\infty} f(x)(\cos \frac{1}{2}x + \sin 2x) dx$ کدام است؟

- | | |
|-----------------------|--------------------|
| $\frac{3}{16}\pi$ (۲) | $\frac{3}{16}$ (۱) |
| $\frac{6}{5}\pi$ (۴) | $\frac{6}{5}$ (۳) |

۳۴- با استفاده از روش ضربی (جداسازی متغیرها)، جواب معادله $u_{xx} + 4u_{xy} = 0$ کدام است؟

- | | |
|----------------------------------|----------------------------------|
| $(c_1 + c_2 e^{2kx})e^{-ky}$ (۲) | $(c_1 + c_2 e^{kx})e^{-2ky}$ (۱) |
| $(c_1 + c_2 x)e^{k(2x-y)}$ (۴) | $(c_1 + c_2 x)e^{k(x-2y)}$ (۳) |

۳۵- فرم جواب مسئله با شرایط مرزی روبه‌رو، کدام است؟

$u_{xx} + u_{yy} = 0, 0 \leq x \leq \pi, 0 \leq y \leq \pi$

$u_x(\pi, y) = 0 = u_x(0, y) \forall y$

$u(x, 0) = 0 \quad \forall x, u(x, \pi) = 4 \cos 2x$

$u(x, y) = 4 \operatorname{sech} 2\pi \sin 2x \sinh 2y$ (۱)

$u(x, y) = 4 \sinh 2\pi \cos 2x \cosh 2y$ (۲)

$u(x, y) = 4 \operatorname{csch} 2\pi \cos 2x \sinh 2y$ (۳)

$u(x, y) = 4 \sinh 2\pi \sin 2x \sinh 2y$ (۴)

۳۶- در مورد معادله $x^2 u_{xx} + 2xy u_{xy} + y^2 u_{yy} = 0$ کدام گزینه صحیح است؟

(۱) معادله از نوع سهموی است و $v = x$ و $w = \frac{y}{x}$ معادله را به فرم نرمال تبدیل می‌کند.

(۲) معادله از نوع سهموی است و $v = x$ و $w = xy$ معادله را به فرم نرمال تبدیل می‌کند.

(۳) معادله از نوع هذلولوی است و $v = x$ و $w = \frac{y}{x}$ معادله را به فرم نرمال تبدیل می‌کند.

(۴) معادله از نوع هذلولوی است و $v = x$ و $w = xy$ معادله را به فرم نرمال تبدیل می‌کند.

۳۷- اگر معادله موج غیرهمگن زیر با تغییر متغیر $u(x, t) = v(x, t) + \phi(x)$ به معادله همگن با شرایط مرزی همگن

تبدیل شود، $\phi(x)$ کدام است؟

$$\begin{cases} u_{tt} - 2u_{xx} = xe^x \\ u(x, 0) = u_t(x, 0) = 0 \\ u(1, t) = 0 \\ u_x(0, t) = +\frac{1}{2} \end{cases}$$

$$\phi(x) = \frac{1}{2}xe^x - e^x + \frac{1}{2}e \quad (1)$$

$$\phi(x) = \frac{1}{2}xe^x + e^x - x + \frac{1}{2}e \quad (2)$$

$$\phi(x) = -\frac{1}{2}xe^x + e^x - \frac{1}{2}e \quad (3)$$

$$\phi(x) = -\frac{1}{2}xe^x + e^x + x - \frac{1}{2}e \quad (4)$$

۳۸- در معادله زیر، مقدار $u\left(\frac{2\pi}{3}, \frac{5\pi}{8}\right)$ کدام است؟

$$\begin{cases} u_{tt} = 4u_{xx} & 0 < x < \pi, t > 0 \\ u(0, t) = 2t & u(\pi, t) = t - 1 & t > 0 \\ u(x, 0) = -\frac{x}{\pi} + \sin \frac{x}{2} & u_t(x, 0) = \frac{2\pi - x}{\pi} & 0 < x < \pi \end{cases}$$

$$-\frac{1}{2} \quad (1)$$

$$-\frac{1}{4} \quad (2)$$

$$\frac{3}{2} \quad (3)$$

$$\frac{3}{4} \quad (4)$$

۳۹- با استفاده از روش تبدیل لاپلاس برای حل مسئله با مشتقات جزئی، تبدیل لاپلاس جواب مسئله زیر کدام است؟

$$2 \frac{\partial u}{\partial t} = \frac{\partial^2 u}{\partial x^2}, \quad 0 \leq x \leq \pi, \quad t > 0, \quad u(0, t) = 0; \quad u(\pi, t) = 0, \quad u(x, 0) = 2 \sin 3x$$

$$U(x, s) = C_1(s)e^{-\sqrt{2s}x} + C_2(s)e^{\sqrt{2s}x} + \frac{4}{s^2 + 9} \cos 3x \quad (1)$$

$$U(x, s) = C_1(s)e^{-\sqrt{2s}x} + C_2(s)e^{\sqrt{2s}x} + \frac{4}{s^2 + 9} \sin 3x \quad (2)$$

$$U(x, s) = C_1(s)e^{-\sqrt{2s}x} + C_2(s)e^{\sqrt{2s}x} + \frac{4}{2s + 9} \cos 3x \quad (3)$$

$$U(x, s) = C_1(s)e^{-\sqrt{2s}x} + C_2(s)e^{\sqrt{2s}x} + \frac{4}{2s + 9} \sin 3x \quad (4)$$

۴۰- کدام یک از مقادیر زیر جواب معادله $\cos z = i \sinh 2$ است؟ (n یک عدد صحیح است)

$$\frac{4n+3}{2} \pi + i \quad (1)$$

$$\frac{4n+3}{2} \pi + 2i \quad (2)$$

$$\frac{4n+1}{2} \pi - 2i \quad (3)$$

(4) گزینه‌های ۲ و ۳

۴۱- ناحیه همگرایی سری $\sum_{n=0}^{\infty} \frac{1}{(n+1)^3} \left(\frac{\operatorname{Im}(z)}{z+1} \right)^n$ کدام است؟

(1) تمام صفحه Z ها

(2) نیم صفحه بالای محور حقیقی

(3) نیم صفحه بالای محور اعداد حقیقی و محور اعداد حقیقی

(4) نیم صفحه زیر محور اعداد حقیقی و محور اعداد حقیقی

۴۲- تابع $f(z) = \frac{e^z}{\sin^2 z}$ داده شده است. کدام گزینه در مورد تابع f در $z = \infty$ صحیح است؟

(1) یک صفر ساده دارد.

(2) یک قطب ساده دارد.

(3) یک قطب از مرتبه دو دارد.

(4) یک صفر از مرتبه دو دارد.

۴۳- مقدار انتگرال $\oint_{|z|=1} \frac{e^{z^2}}{z^{(2n+1)}} dz$ ، کدام است؟

$$\frac{2\pi i}{n!} \quad (1)$$

$$-\frac{2\pi i}{(n+1)!} \quad (2)$$

$$\frac{2\pi i}{(n+1)!} \quad (3)$$

$$-\frac{2\pi i}{n!} \quad (4)$$

۴۴- مقدار انتگرال زیر، کدام است؟ C بیضی با معادله $x^2 + \frac{y^2}{9} = 1$ است.

$$I = \oint_C \left(\frac{\pi z e^{\pi z}}{z^4 - 16} + \frac{\pi}{z} e^{\frac{\pi}{z}} \right) dz$$

(۱) $\frac{\pi}{4}i$

(۲) $-\frac{\pi}{4}i$

(۳) $\frac{7\pi}{4}i$

(۴) $-\frac{7\pi}{4}i$

۴۵- حاصل انتگرال $I = \int_0^{2\pi} \frac{\sin \theta}{2 - \cos \theta} d\theta$ ، کدام است؟

(۱) صفر

(۲) $-\frac{2\pi}{3}i$

(۳) $\frac{2\pi}{3}i$

(۴) $\frac{3\pi}{2}i$

کنترل خطی و غیرخطی:

۴۶- در سیستم کنترلی با تابع تبدیل مسیر پیشروی G و فیدبک واحد منفی، پاسخ ضربه واحد سیستم حلقه بسته عبارت است از:

$$h(t) = e^{-\frac{1}{2}t} \left[k_1 \cos \frac{\sqrt{3}}{2}t + k_2 \sin \frac{\sqrt{3}}{2}t \right]; t \geq 0$$

اگر خطای حالت دائم این سیستم به ورودی شیب، همواره صفر باشد، $k_1 k_2$ کدام است؟

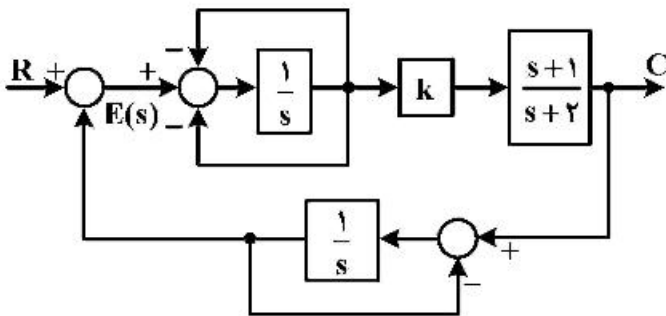
(۱) $\frac{\sqrt{3}}{2}$

(۲) $\sqrt{3}$

(۳) $-\frac{\sqrt{3}}{2}$

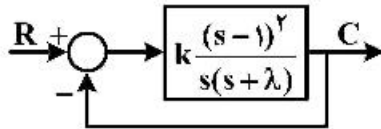
(۴) $-\sqrt{3}$

۴۷- پاسخ ضربه سیستم زیر در $t = \frac{\pi}{4}$ برای نخستین بار صفر می‌شود. خطای حالت دائم این سیستم به ورودی پله واحد، کدام است؟ ($k > 0$)



- (۱) ۴
- (۲) $\frac{1}{4}$
- (۳) $\frac{1}{5}$
- (۴) ۰

۴۸- سیستم کنترل شکل زیر به ازای $k = \frac{1}{8}$ ، سریع‌ترین پاسخ میرا و بدون نوسان به ورودی پله واحد را دارد. حداقل مقدار خطای دائمی این سیستم در پاسخ به ورودی شیب واحد کدام است؟ ($\lambda > 0$)



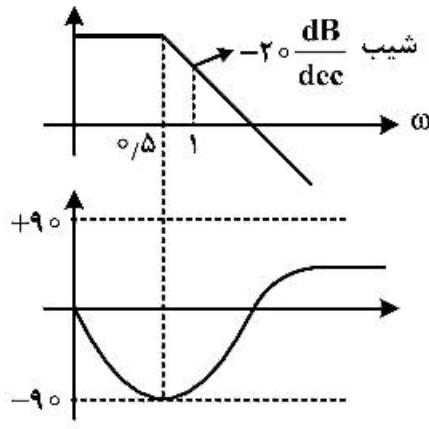
- (۱) $\frac{1}{2}$
- (۲) $\frac{2}{3}$
- (۳) ۲
- (۴) ۸

۴۹- در یک سیستم با فیدبک واحد منفی و تابع تبدیل حلقه باز $G(s)$ ، فرکانس نوسانات نامیرای سیستم حلقه بسته، کدام است؟

$$G(s) = \frac{k(1-as)}{(1+s)s}$$

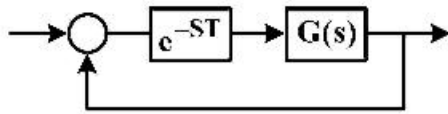
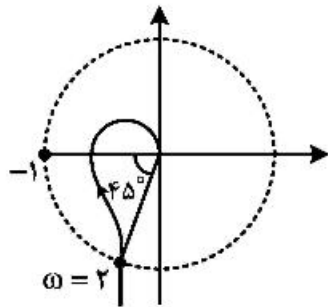
- (۱) $\frac{1}{a}$
- (۲) a
- (۳) \sqrt{a}
- (۴) $\frac{1}{\sqrt{a}}$

۵۰- تابع تبدیل متناظر با دیاگرام بودی شکل روبه‌رو، کدام است؟



- (۱) $\frac{10(1+s)}{(2s+1)(-s+1)}$
- (۲) $\frac{10(1-s)}{(2s+1)(1+s)}$
- (۳) $\frac{10(s+1)}{(2s+1)(s-1)}$
- (۴) $\frac{10}{2s+1}$

51- در صورتی که نمودار قطبی تابع تبدیل با فیدبک منفی واحد به صورت زیر باشد و بدانیم $G(s)$ دارای قطب سمت راست محور $j\omega$ نیست، آنگاه حداکثر مقدار T برای حفظ پایداری در سیستم زیر چند ثانیه است؟



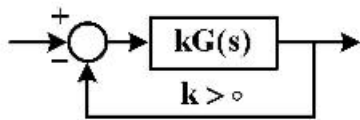
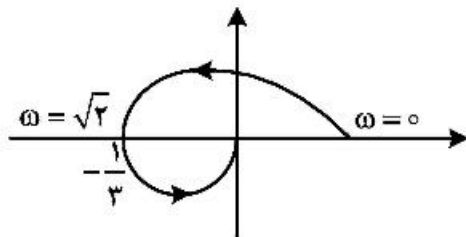
(1) این سیستم همواره پایدار است.

(2) $\frac{3\pi}{8}$

(3) $\frac{5\pi}{8}$

(4) $\frac{\pi}{8}$

52- دیاگرام قطبی $G(s)$ در شکل زیر داده شده است. اگر بدانیم $G(s)$ دو قطب در RIIP دارد، به ازای کدام مقدار k سیستم حلقه بسته پایدار است؟



(1) $k < 3$

(2) $k > 3$

(3) $k < \frac{1}{3}$

(4) $k > \frac{1}{3}$

53- سیستم غیر کمینه فاز $G(s) = \frac{3-s}{(s+1)(s+2)}$ تحت فیدبک واحد منفی قرار دارد. کدام گزینه در مورد فرکانس گذر بهره ω_c و فرکانس گذر فاز ω_π درست است؟

(1) $\omega_\pi > \omega_c$ ، سیستم حلقه بسته پایدار

(2) $\omega_\pi > \omega_c$ ، سیستم حلقه بسته ناپایدار

(3) $\omega_c > \omega_\pi$ ، سیستم حلقه بسته ناپایدار

(4) $\omega_c > \omega_\pi$ ، سیستم حلقه بسته پایدار

54- سیستمی با تابع تبدیل حلقه باز $G(s) = \frac{k}{s^2(Ts+1)}$ را در نظر بگیرید. برای مقادیر بزرگ k ، پایداری آن به کمک کدام کنترل کننده، قابل انجام است؟

(2) PI به صورت $(\zeta + \frac{1}{s})$ و $\zeta > T$

(1) PD به صورت $(s + \frac{1}{\zeta})$ و $\zeta > T$

(4) PI به صورت $(\zeta + \frac{1}{s})$ و $\zeta < T$

(3) PD به صورت $(s + \frac{1}{\zeta})$ و $\zeta < T$

۵۵- نقطه تعادل سیستم زیر، کدام است؟

$$\dot{x}_1 = (1-x_1)x_1 - \frac{2x_1x_2}{1+x_1}$$

$$\dot{x}_2 = \left(1 - \frac{x_2}{1+x_1}\right)x_2$$

(۱) $(0, 0), (1, 0), (0, -1)$

(۲) $(1, 0), (0, 0)$

(۳) $(0, 0), (-1, 0), (1, 0)$

(۴) $(0, 0), (1, 0), (0, 1)$

۵۶- معادلات فضای حالت توصیف کننده سیستمی، به صورت زیر است. کدام گزینه در مورد نوع نقاط تعادل این سیستم صحیح است؟

$$\begin{cases} \dot{x}_1 = -x_1 + x_1x_2 \\ \dot{x}_2 = x_1 + x_2 - 2x_1x_2 \end{cases}$$

(۱) نقطه تعادل $(0, 0)$ ، نقطه زینی و نقطه $(1, 1)$ کانون پایدار است.

(۲) نقطه $(0, 0)$ کانون پایدار و نقطه $(1, 1)$ نقطه زینی است.

(۳) هر دو کانون پایدار هستند.

(۴) هر دو نقطه زینی هستند.

۵۷- سیستم غیر خطی زیر را در نظر بگیرید. کدام گزینه در مورد پایداری نقطه تعادل این سیستم، صحیح است؟

$$\begin{cases} \dot{x}_1 = x_2 \\ \dot{x}_2 = -\sin x_1 \end{cases}$$

(۲) مبدأ پایدار مجانبی سراسری است.

(۱) مبدأ ناپایدار است.

(۴) نمی توان در مورد پایداری مبدأ نظر داد.

(۳) مبدأ پایدار است.

۵۸- کدام یک از سیستم های زیر، دارای چرخه حدی پایدار است؟

$$\begin{cases} \dot{x}_1 = x_2 - x_1(x_1^2 + x_2^2 - 1) \\ \dot{x}_2 = -x_1 - x_2(x_1^2 + x_2^2 - 1) \end{cases} \quad (۲)$$

$$\begin{cases} \dot{x}_1 = x_2 + x_1(x_1^2 + x_2^2 - 1) \\ \dot{x}_2 = -x_1 + x_2(x_1^2 + x_2^2 - 1) \end{cases} \quad (۱)$$

$$\begin{cases} \dot{x}_1 = x_1 + x_1^2 + x_1x_2 \\ \dot{x}_2 = -x_2 + x_2^2 + x_1^2x_2 \end{cases} \quad (۴)$$

$$\begin{cases} \dot{x}_1 = x_1 - x_2(x_1^2 + x_2^2 - 1) \\ \dot{x}_2 = -x_1 - x_2(x_1^2 + x_2^2 - 1) \end{cases} \quad (۳)$$

۵۹- پایداری مبدأ با انتخاب تابع لیاپانوف $v(x) = 4x_1^2 + 2x_2^2 + 4x_1^4$ برای سیستم زیر چگونه است؟

$$\dot{x}_1 = x_2$$

$$\dot{x}_2 = -2x_1 - 2x_2 - 4x_1^3$$

(۱) مبدأ پایدار است.

(۲) مبدأ ناپایدار است.

(۳) مبدأ پایدار مجانبی سراسری است.

(۴) مبدأ پایدار مجانبی محلی است.

۶۰- نقاط تعادل و نوع آن‌ها برای سیستم زیر کدام است؟

$$\dot{x}_1 = \cos(x_1) - 1 + x_2$$

$$\dot{x}_2 = \sin(x_1)$$

(۱) $(k\pi, 0)$ زین‌اسبی، $(k\pi, 2)$ مرکزی

(۲) $(k\pi, 0)$ ناپایدار نمایی، $(k\pi, 2)$ پایدار نمایی

(۳) $(2k\pi, 0)$ زین‌اسبی، $(k\pi, 0)$ مرکزی

(۴) $(2k\pi, 0)$ پایدار نمایی، $(k\pi, 2)$ ناپایدار نمایی

ترمودینامیک:

۶۱- اگر یک گاز حقیقی از یک شیر انبساط عبور کند،

(۱) دمای آن همیشه کم و آنروپی آن همیشه زیاد می‌شود ولی آنتالپی ثابت می‌ماند.

(۲) دما و آنروپی آن همیشه زیاد می‌شود ولی آنتالپی آن همیشه ثابت می‌ماند.

(۳) آنتالپی و آنروپی آن ثابت می‌ماند.

(۴) دمای آن گاهی زیاد و گاهی کم می‌شود.

۶۲- رفتار یک ماده مشخص در محدوده کوچک و معینی از دما و فشار از رابطه $\frac{PV}{RT} = 1 - \frac{CP}{T^4}$ پیروی می‌کند، که C یک ثابت است. تغییر آنروپی این ماده در یک فرایند هم‌دما، برابر کدام است؟

$$\Delta s = -R \ln\left(\frac{P_2}{P_1}\right) - \frac{2CR}{T^4}(P_2 - P_1) \quad (۱)$$

$$\Delta s = R \ln\left(\frac{P_2}{P_1}\right) + \frac{2CR}{T^4}(P_2 - P_1) \quad (۲)$$

$$\Delta s = -R \ln\left(\frac{P_2}{P_1}\right) - \frac{2CR}{T^3}(P_2 - P_1) \quad (۳)$$

$$\Delta s = -R \ln\left(\frac{P_2}{P_1}\right) + \frac{2CR}{T^4}(P_2 - P_1) \quad (۴)$$

۶۳- ضرایب انبساط‌پذیری حجمی و تراکم‌پذیری یک مایع به ترتیب با علامت‌های β و k نشان داده می‌شود. در یک

فرایند، دمای مایع از T_1 به T_2 و فشار آن از P_1 به P_2 تغییر می‌کند. در صورتی که حجم اولیه V_1 باشد، حجم

نهایی کدام است؟

$$V_1 \exp[\beta(T_2 - T_1) - k(P_2 - P_1)] \quad (۱)$$

$$\frac{\beta}{k} \times (P_2 - P_1) - k(P_2 - P_1) \quad (۲)$$

$$\beta(T_2 - T_1) + k(P_2 - P_1) \quad (۳)$$

$$\frac{\beta}{k} \times (T_2 - T_1) \quad (۴)$$

۶۴- رفتار یک گاز خالص با استفاده از معادله حالت ویریال با دو جمله توصیف می‌شود که در آن ضریب دوم ویریال از

رابطه $B = b - \frac{a}{T^2}$ به دست می‌آید. مقادیر a و b ثابت هستند. دمای بویل در این حالت برابر کدام است؟

$$\sqrt{ab} \quad (۱)$$

$$\sqrt{\frac{a}{b}} \quad (۲)$$

$$\sqrt{\frac{b}{a}} \quad (۳)$$

$$b\sqrt{a} \quad (۴)$$

۶۵- رابطه ویریال تا جمله دوم برای پیش‌بینی ضریب تراکم‌پذیری یک گاز به صورت زیر نوشته می‌شود:

$$Z = 1 + \frac{BP}{RT}$$

مقدار $\frac{H^R}{RT}$ برای این گاز کدام است؟ (H^R : مقدار آنتالپی باقی‌مانده نسبت به گاز ایدئال است.)

$$\frac{-P}{R} \frac{dB}{dT} \quad (۱) \quad \frac{BP}{RT} \quad (۲)$$

$$\frac{B}{T} + \frac{dB}{dT} \quad (۳) \quad \frac{P}{R} \left(\frac{B}{T} - \frac{dB}{dT} \right) \quad (۴)$$

۶۶- دو مخزن که حجم هر کدام ۱ مترمکعب است، به وسیله شیر به هم متصل هستند و یکی از مخازن محتوی گاز

ایدئالی با فشار ۴۰۰ kPa و دمای ۳۰۰ K و مخزن دیگر کاملاً خلأ است. هر دو مخزن کاملاً ایزوله‌اند. شیر بین

دو مخزن را باز می‌کنیم تا سیستم به حال تعادل برسد. در حال تعادل، فشار در واحد kPa و دما در واحد کلوین

به ترتیب چقدر است؟

$$۱۵۰ \text{ و } ۲۰۰ \quad (۱) \quad ۳۰۰ \text{ و } ۲۰۰ \quad (۲)$$

$$۱۵۰ \text{ و } ۴۰۰ \quad (۳) \quad ۳۰۰ \text{ و } ۴۰۰ \quad (۴)$$

۶۷- کدام گزینه، در مورد مفاهیم ترمودینامیکی، صحیح است؟

(۱) توابع مسیر، تنها به مسیر طی شده وابسته هستند. (۲) خاصیت متمرکز یا شدتی، به مقدار ماده بستگی دارد.

(۳) توابع حالت، تنها تابع شرایط کنونی ماده هستند. (۴) توابع مسیر، دیفرانسیل پذیر نیستند.

۶۸- تغییرات آنتروپی یک گاز که از فشار P_1 تا فشار P_2 فشرده می‌شود، در کدام یک از فرایندهای زیر مستقل از نوع

گاز است؟

(۱) پلی‌تروپیک (۲) حجم ثابت (۳) فشار ثابت (۴) هم‌دما

۶۹- گزینه صحیح در مورد فرایندهای برگشت پذیر کدام است؟

(۱) اختلاط آرام دو ماده، فرایندی برگشت پذیر است.

(۲) فرایند برگشت پذیر در دمای ثابت انجام می‌پذیرد.

(۳) سوختن آرام شعله، فرایندی برگشت پذیر است.

(۴) هیچ فرایند حقیقی را نمی‌توان برگشت پذیر دانست.

۷۰- ضریب دوم ویریال براساس معادله واندروالس $(P = \frac{RT}{V-b} - \frac{a}{V^2})$ برابر کدام است؟

$$B = b - \frac{a}{RT} \quad (۱)$$

$$B = b + \frac{a}{T} \quad (۳)$$

$$B = b - \frac{1}{RT} \quad (۲)$$

$$B = b^2 + \frac{ab}{RT} \quad (۴)$$

۷۱- با استفاده از معادله کلاپیرون می توان:

(۱) تعادلات فازی را پیش بینی کرد.

(۲) گرمای نهان هر نوع تغییر فازی را تخمین زد.

(۳) رابطه ای معکوس بین فشار بخار و دما فرض نمود.

(۴) گرمای حاصل انحلال جامد در مایع را محاسبه کرد.

۷۲- گازی از معادله حالت ویریال ساده شده، به صورت $Z = 1 + BP + CP^2$ تبعیت می کند که در آن B و C به ترتیب

ضرایب دوم و سوم ویریال برای گاز هستند. کدام رابطه حجم پسماند V^R گاز را در فشار P و دمای T نشان می دهد؟

$$-RT(BP + CP^2) \quad (۱)$$

$$-\frac{RT}{P}[B + CP^2] \quad (۴)$$

$$-RT(B + CP) \quad (۲)$$

$$-\frac{BP + CP^2}{RT} \quad (۳)$$

۷۳- به چه دلیل انرژی گیبس در ترمودینامیک کاربرد زیادی دارد؟

(۱) می توان سایر خواص ترمودینامیک را با آن پیش بینی کرد.

(۲) رابطه ای مستقیم بین انرژی داخلی، دما و آنترپی بیان می کند.

(۳) توابع ماکسول براساس این انرژی تعریف شده اند.

(۴) مقدار آن در یک اختلاط به حداکثر می رسد.

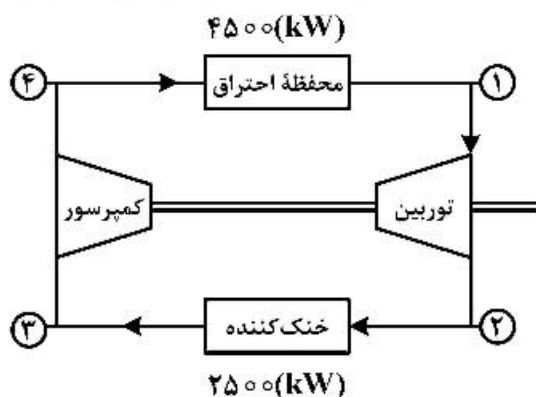
۷۴- در سیکل تولید توان زیر، سیال کارگر هوا $(C_p = 1.0 \frac{kJ}{kg.K}$ و $\frac{C_p}{C_v} = 1.4$) است. توربین و کمپرسور

به وسیله محوری به یکدیگر متصل بوده و توان داده شده به کمپرسور برابر $1500 kW$ است. دما و فشار و دبی

هوای ورودی به محفظه احتراق به ترتیب $600 K$ ، $1 MPa$ و $5 \frac{kg}{s}$ است. گرمای داده شده در محفظه احتراق

برابر $4500 kW$ و گرمای گرفته شده از سیکل برابر $2500 kW$ است. دمای هوا در نقطه ۲ در خروجی توربین،

چند کلین است؟



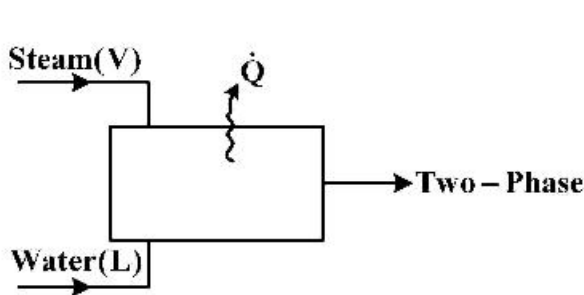
(۱) ۹۵۰

(۲) ۹۰۰

(۳) ۸۰۰

(۴) ۸۵۰

۷۵- بخار آب اشباع در دمای 120°C و فشار 200 kPa با آب مایع اشباع در همان دما و فشار در یک فرایند مخلوط می‌شوند. جریان بخار با دبی $1\frac{\text{kg}}{\text{s}}$ و جریان مایع با دبی $9\frac{\text{kg}}{\text{s}}$ اندازه‌گیری می‌شوند. در صورتی که فشار عملیات اختلاط ثابت و کیفیت بخار جریان مخلوط خروجی ۵٪ باشد، مقدار اتلاف حرارت چند کیلوژول بر ثانیه است؟



$$H^V = 2700 \frac{\text{kJ}}{\text{kg}}$$

$$H^L = 500 \frac{\text{kJ}}{\text{kg}}$$

در دمای 120°C و فشار اشباع:

(۱) ۱۱۰۰

(۲) ۴۳۰۰

(۳) ۱۰۶۰۰

(۴) ۱۳۳۰۰

۷۶- حداقل کار مصرفی برای سرد کردن یک کیلوگرم آب 20°C به آب 4°C در فشار 100 kPa چند کیلوژول است؟

$$C_p = 4/2 \frac{\text{kJ}}{\text{kg}\cdot\text{K}}$$

(۱) ۰/۱۵

(۲) ۰/۳۵

(۳) ۲/۵

(۴) ۳/۹

۷۷- مایعی با ظرفیت حرارتی ثابت $4\frac{\text{kJ}}{\text{kg}\cdot\text{K}}$ از دمای 300 K تا 400 K (نقطه جوش) گرم می‌شود. گرمای نهان

تبخیر در دمای 400 K برابر با $1600\frac{\text{kJ}}{\text{kg}}$ است. در صورتی که به مایع در نقطه جوش حرارت کافی داده شود تا به

بخار تبدیل شود، تغییرات آنروپی کل چند $\frac{\text{kJ}}{\text{kg}\cdot\text{K}}$ خواهد بود؟ هر دو فرایند در فشار ثابت انجام می‌شوند.

$$\ln(2) \approx 0.7, \ln(3) \approx 1.1$$

(۱) ۲/۸

(۲) ۵/۲

(۳) ۶/۵

(۴) ۷/۲

۷۸- در صورتی که ضریب بی‌مرکزی (استنتریک) و دمای بحرانی دو ماده A و B با یکدیگر برابر و فشار بحرانی ماده A

۲ برابر فشار بحرانی ماده B باشد، فشار بخار اشباع ماده A بر حسب فشار بخار اشباع ماده B در دمای

$$T = 0.7T_C, \text{ کدام است؟}$$

$$P_A^{\text{sat}} = \frac{1}{2} P_B^{\text{sat}} \quad (2)$$

$$P_A^{\text{sat}} = 0.7 P_B^{\text{sat}} \quad (1)$$

$$P_A^{\text{sat}} = P_B^{\text{sat}} \quad (4)$$

$$P_A^{\text{sat}} = 2 P_B^{\text{sat}} \quad (3)$$

۷۹- در یک فرایند برگشت پذیر فشار ثابت، میزان تبادل حرارتی سیستم با محیط، برابر کدام است؟

- (۱) تغییرات انرژی درونی سیستم
 (۲) تغییرات انرژی هلمهولتز سیستم
 (۳) تغییرات آنتالپی سیستم
 (۴) کار انجام شده سیستم

۸۰- کار مصرفی پمپ در سیستم پمپ - چگالنده با توجه به خواص ترمودینامیکی ارائه شده و برای حالتی که خروجی

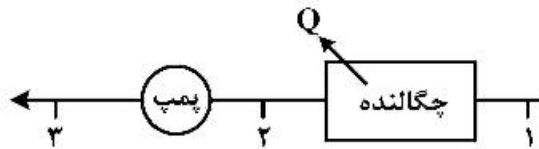
از چگالنده مایع متراکم باشد، چند $\frac{kJ}{kg}$ است؟

$$h_1 = 400 \frac{kJ}{kg}$$

$$h_{f2} = 225/9 \frac{kJ}{kg}$$

$$h_{g2} = 2599/1 \frac{kJ}{kg}$$

$$h_3 = 295 \frac{kJ}{kg}$$



(۱) $-2304/1$

(۲) $-105/9$

(۳) $2304/1$

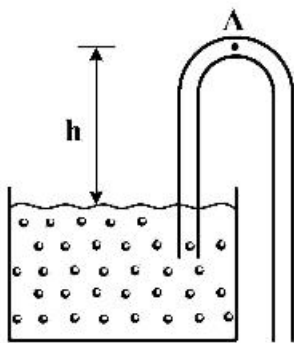
(۴) $-69/0$

مکانیک سیالات و انتقال حرارت:

۸۱- سیفونی معکوس مطابق شکل زیر برای تخلیه مخزن به کار می رود. اگر فشار در محل، P_{atm} و فشار تبخیر مطلق

سیال P_v باشد، پیش از عملکرد سیفون، نقطه A چقدر می تواند بالاتر از سطح آزاد باشد؟ (از اصطکاک صرف نظر

شود). ($h = ?$)



$$h = \frac{P_v}{\gamma} \quad (1)$$

$$h = \frac{P_{atm}}{\gamma} - \frac{V_A^2}{2g} \quad (2)$$

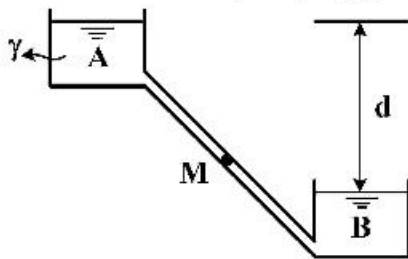
$$h = \frac{P_v}{\gamma} - \frac{V_A^2}{2g} \quad (3)$$

$$h = \frac{P_{atm} - P_v}{\gamma} \quad (4)$$

۸۲- کدام گزینه در مورد توزیع سرعت در جریان های لایه ای و آشفته درست است؟

- (۱) در جریان آشفته هموارتر از جریان لایه ای است.
 (۲) در جریان لایه ای لگاریتمی است.
 (۳) در جریان آشفته سهمی است.
 (۴) تفاوتی با هم ندارند.

۸۳- خط لوله AMB در حالت ثقلی دبی Q را از مخزن A به مخزن B منتقل می‌کند. اگر قرار باشد پمپی در نقطه M نصب و همان مقدار دبی را از B به A منتقل کند و راندمان پمپ 50% باشد، توان پمپ کدام است؟



(۱) γQd

(۲) $4\gamma Qd$

(۳) $2\gamma Qd$

(۴) $\frac{\gamma Qd}{2}$

۸۴- در یک لوله خطی، کاویتاسیون در کدام حالت بیشتر است؟

(خط گرادیان هیدرولیک HGL و خط گرادیان انرژی EGL است.)

(۱) $HAGL$ همواره افقی باشد. (۲) HGL بر EGL منطبق شود.

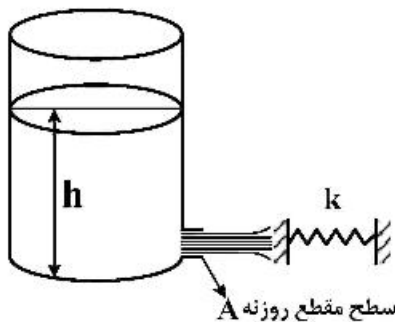
(۳) HGL پایین‌تر از لوله قرار گیرد. (۴) HGL بالاتر از EGL قرار گیرد.

۸۵- برای سرعت مخصوص‌های کم، کدام پمپ مناسب است؟

(۱) جریان شعاعی (۲) جریان مختلط

(۳) جریان محوری (۴) جابه‌جایی مثبت

۸۶- کدام رابطه در مورد تغییر مکان فنر به سختی k در معرض جت آب خروجی از مخزن درست است؟



(۱) $\delta = \frac{3\gamma Ah}{k}$

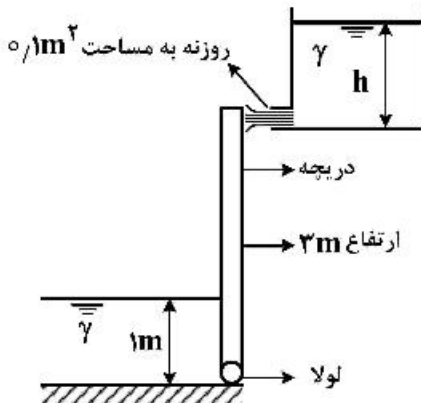
(۲) $\delta = \frac{\gamma Ah}{k}$

(۳) $\delta = \frac{\gamma Ah}{2k}$

(۴) $\delta = \frac{2\gamma Ah}{k}$

۸۷- جت آب مطابق شکل زیر از انتهای مخزن با هد ثابت h خارج شده و دریچه به عرض واحد و ارتفاع $3m$ را در

تعداد به حالت قائم نگه می‌دارد. مقدار h کدام است؟



(۱) $\frac{1}{3}$

(۲) $\frac{2}{3}$

(۳) $\frac{5}{18}$

(۴) $\frac{5}{9}$

۸۸- در یک میدان سرعت در نقطه $(5, 0)$ مؤلفه سرعت افقی u است. اگر معادله خط جریان $x^2 - y^2 + \tan x = 0$ باشد، v (مؤلفه سرعت قائم) کدام است؟

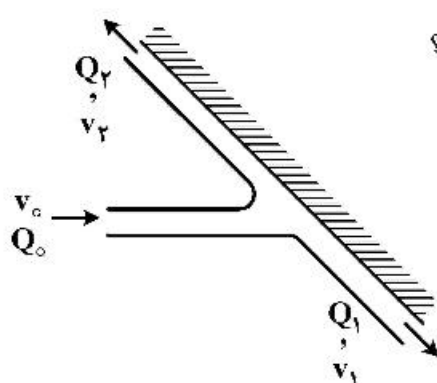
(۱) $4u$

(۲) $3u$

(۳) $2u$

(۴) u

۸۹- در صفحه انحراف دهنده شکل زیر، جریان با دبی Q_0 و سرعت v_0 وارد و با دبی‌های $Q_1 = \frac{2}{3}Q_0$ و $Q_2 = \frac{1}{3}Q_0$ خارج می‌شود. نسبت سرعت‌های خروجی $\frac{v_1}{v_2}$ ، کدام است؟



(۱) ۲

(۲) $\frac{1}{2}$

(۳) ۱

(۴) ۲

۹۰- برای یک فویل، حالت واماندگی (Stall) رخ داده است. در آن صورت کدام گزینه صحیح است؟

(۱) نیروهای پسا و برا هم‌زمان مینیمم شده‌اند. (۲) نیروی پسا به مقدار ماکزیمم رسیده است.

(۳) نیروهای پسا و برا هم‌زمان ماکزیمم شده‌اند. (۴) نیروی پسا به مقدار ماکزیمم رسیده است.

۹۱- برای قرار دادن یک پولی در وسط یک شفت به دلیل محدودیت دما برای تسمه، لازم است درجه حرارت از حدی تجاوز نکند. چنانچه شفت بین دو یاتاقان قرار گرفته باشد و دمای یاتاقان‌ها 180°C باشد، حداقل طول شفت چقدر باشد (در واحد سانتی‌متر) تا دما در وسط آن از 100°C تجاوز نکند؟ (دمای محیط شفت 20°C ، ضریب جابه‌جایی $10 \frac{\text{W}}{\text{m}^2\text{C}}$ ، ضریب هدایتی شفت $20 \frac{\text{W}}{\text{m}^2\text{C}}$ ، قطر شفت ۲cm و $\cosh^{-1}(2) = 1.32$ منظور شود).

(۱) 13.2

(۲) 14.1

(۳) 26.4

(۴) 28.2

۹۲- توزیع درجه حرارت در یک صفحه به ضخامت $2L$ که در آن \dot{q} حرارت به‌ازای واحد حجم تولید می‌شود،

به صورت $T - T_w = \frac{-\dot{q}}{2k}(x^2 - L^2)$ نوشته می‌شود. T_w دمای صفحه در $x = \pm L$ است. حرارت مبادله شده

صفحه با محیط برابر کدام است؟ (k ضریب انتقال حرارت هدایتی و مستقل از دماست)

(۱) $4\dot{q}L$

(۲) $2\dot{q}L$

(۳) $\dot{q}L$

(۴) $\dot{q} \frac{L}{2}$

۹۳- یک لوله به ضخامت ناچیز در معرض هوا قرار دارد. دمای جدار فلزی لوله T_w و دمای هوا T_∞ است. مقدار نرخ انتقال حرارت از لوله را اندازه‌گیری می‌کنیم، مقدار آن \dot{Q}_1 می‌شود. لوله را با پشم‌شیشه عایق می‌کنیم و دوباره اندازه‌گیری می‌کنیم. نرخ انتقال حرارت \dot{Q}_2 می‌شود. اگر $\dot{Q}_2 < \dot{Q}_1$ باشد، آنگاه:

(۱) در ضخامتی از عایق، نرخ انتقال حرارت مساوی نرخ انتقال حرارت بدون عایق می‌شود.

(۲) می‌توان عایق‌کاری را ادامه داد و همچنان نرخ انتقال حرارت کاهش خواهد یافت.

(۳) افزایش عایق‌کاری تا یک ضخامت بحرانی مجاز است و سپس نرخ انتقال حرارت افزایش خواهد یافت.

(۴) بهتر است عایق‌کاری نکنیم چون سطح خروجی لوله افزایش و در نتیجه نرخ انتقال حرارت نیز افزایش می‌یابد.

۹۴- یک کره مسی داغ را در مجاورت هوای اتاق قرار می‌دهیم. نسبت عدد ناسلت به عدد بیو $\left(\frac{Nu}{Bi}\right)$ ، چقدر است؟

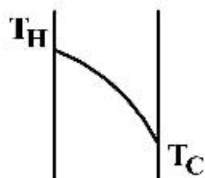
$$(1) \quad \frac{Nu}{Bi} \leq 1$$

$$(3) \quad \frac{Nu}{Bi} = 1$$

$$(2) \quad \frac{Nu}{Bi} < 1$$

$$(4) \quad \frac{Nu}{Bi} > 1$$

۹۵- در دیوار روبه‌رو، توزیع دما در حالت پایا نشان داده شده است. اگر دیوار فاقد منبع حرارتی باشد، گزینه صحیح در مورد ضریب هدایتی دیوار کدام است؟



(۱) با افزایش دما ضریب هدایتی دیوار افزایش می‌یابد.

(۲) با افزایش دما ضریب هدایتی دیوار کاهش می‌یابد و عایق‌تر می‌شود.

(۳) در ابتدا ضریب هدایتی دیوار افزایش و سپس کاهش می‌یابد.

(۴) ضریب هدایتی دیوار ثابت می‌ماند.

۹۶- یک اتوی برقی ۱۰۰۰ وات در یک اتاق با دمای ۲۰ درجه سانتی‌گراد قرار می‌گیرد. ضریب جابه‌جایی گرمایی

بین سطح داغ اتو و محیط $50 \frac{W}{m^2 \cdot ^\circ C}$ و اندازه سطح اتوکننده ۰٫۲ مترمربع است. تحت این شرایط دمای

تعادل سطح داغ اتو چند درجه سانتی‌گراد است؟ فرض شود مقدار تشعشع واحد سطح داغ به محیط

$$2/3 \times 10^4 \frac{W}{m^2} \text{ و همه حرارت فقط از سطح داغ به محیط داده می‌شود.}$$

(۱) ۶۲۰

(۲) ۵۸۰

(۳) ۵۶۰

(۴) ۵۴۰

۹۷- مخزن کروی شکلی با قطر ۴۰ cm با موادی با ضریب هدایتی $1/2 \frac{W}{m \cdot ^\circ C}$ پوشش داده شده است. چنانچه مخزن

در محیطی با ضریب جابه‌جایی برابر $10 \frac{W}{m^2 \cdot ^\circ C}$ باشد، شعاع بحرانی چند سانتی‌متر است؟

(۱) ۱۲

(۲) ۲۰

(۳) ۲۴

(۴) ۳۰

۹۸- برای جلوگیری از افت حرارتی از کوره‌ای آن را توسط سه لایه با مواد مختلف پوشش می‌دهیم. ضخامت هر سه لایه مساوی است. اگر ضریب حرارتی لایه‌ها به ترتیب $k_A = 0.4 \frac{W}{m^{\circ}C}$ و $k_B = 0.2 + 3 \times 10^{-2} T$ و $k_C = 0.2 + 1 \times 10^{-4} T$ باشد، ترتیب قرار گرفتن لایه‌ها به چه نحوی باشد تا کمترین حرارت از کوره به بیرون منتقل شود؟ (لایه اول منظور لایه‌ای است که به بدنه کوره متصل می‌شود).

- (۱) لایه اول ماده A، لایه دوم ماده C و لایه سوم ماده B
- (۲) لایه اول ماده B، لایه دوم ماده C و لایه سوم ماده A
- (۳) لایه اول ماده C، لایه دوم ماده B و لایه سوم ماده A
- (۴) چون بدنه کوره مسطح است، ترتیب لایه‌ها فرقی ندارد.

۹۹- دو طرف دیواری به ضخامت L در درجه حرارت ثابت T_1 و T_2 در حالت پایا قرار دارد. ضریب حرارتی در جسم تابع درجه حرارت به صورت $k = k_0(1 + \beta T)$ داده شده است که k_0 ضریب هدایتی در درجه حرارت صفر و β یک عدد ثابت است. در این مورد گزینه صحیح، کدام است؟

(۱) جریان حرارتی q متغیر و برابر $k_0 A \frac{T_1 - T_2}{L}$ است.

(۲) جریان حرارتی q ثابت و برابر $k_0 A \frac{T_1 - T_2}{L}$ است.

(۳) جریان حرارتی q مقداری متغیر و بستگی به مقدار ضخامت L دارد.

(۴) جریان حرارتی q ثابت و در لایه‌های دیوار یکسان است.

۱۰۰- در شکل زیر چنانچه دمای نقاط $T_1 = T_3 = 70^{\circ}C$ ، دمای محیط $T_{\infty} = 40^{\circ}C$ ، ضریب جابه‌جایی $h = 200 \frac{W}{m^2^{\circ}C}$ و ضریب هدایتی جسم $k = 4 \frac{W}{m^{\circ}C}$ باشد، دمای نقطه ۲ چند درجه سانتی‌گراد است؟

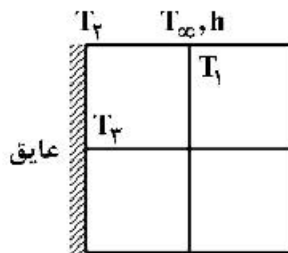
(۱) ۶۸

(۲) ۶۴

(۳) ۶۰

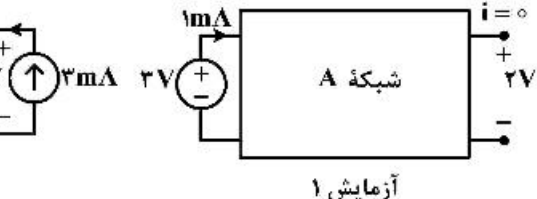
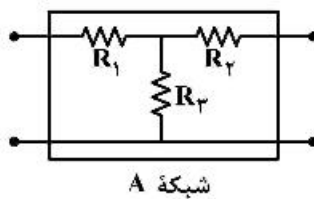
(۴) ۵۶

$\Delta y = \Delta x = 1cm$



مدارهای الکتریکی (۱ و ۲):

۱۰۱- شبکه مقاومتی A را در دو آزمایش زیر در نظر بگیرید. مقادیر مقاومت‌ها، کدام است؟



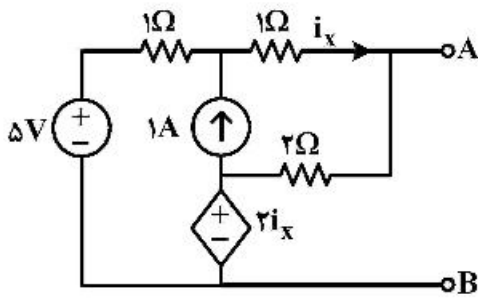
(۲) $R_1 = 1k\Omega, R_2 = 3k\Omega, R_3 = 2k\Omega$

(۱) $R_1 = 1k\Omega, R_2 = 2k\Omega, R_3 = 3k\Omega$

(۴) $R_1 = 2k\Omega, R_2 = 3k\Omega, R_3 = 1k\Omega$

(۳) $R_1 = 3k\Omega, R_2 = \frac{11}{3}k\Omega, R_3 = 0k\Omega$

۱۰۲- معادل تونن مدار زیر از دو سر A و B، کدام است؟



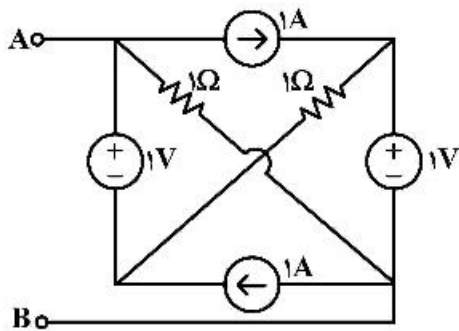
(۱) $V_{th} = 6V, R_{th} = \frac{3}{2}\Omega$

(۲) $V_{th} = 6V, R_{th} = \frac{2}{3}\Omega$

(۳) $V_{th} = 4V, R_{th} = \frac{3}{2}\Omega$

(۴) $V_{th} = 4V, R_{th} = \frac{2}{3}\Omega$

۱۰۳- در مدار زیر نسبت مقاومت معادل تونن از دو سر A و B، به ولتاژ مدار باز دو سر A و B، کدام است؟



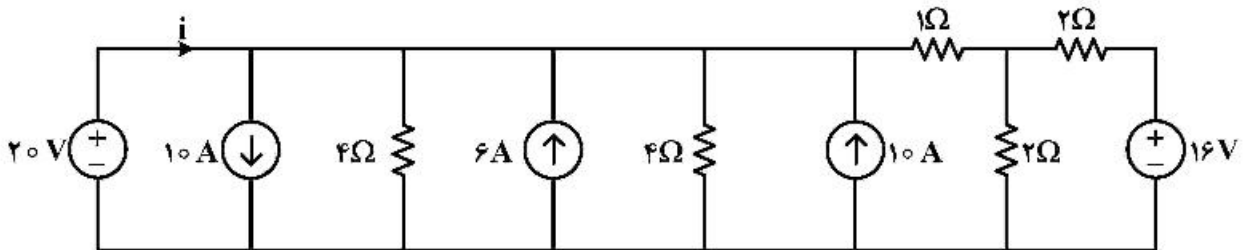
(۱) ۱

(۲) $\frac{1}{2}$

(۳) ۲

(۴) $\frac{1}{4}$

۱۰۴- در مدار زیر جریان i، چند آمپر است؟



(۱) ۱۰

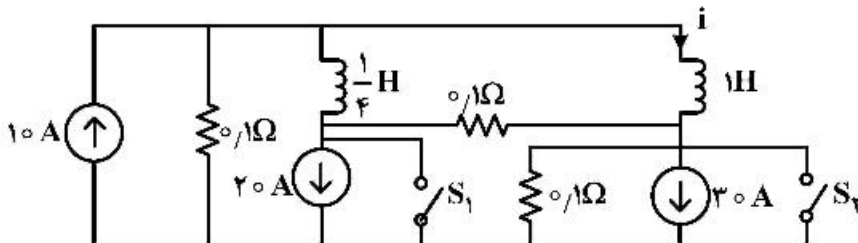
(۲) ۱۴

(۳) ۱۶

(۴) ۲۱

۱۰۵- مدار زیر به مدت زیادی در حالت دائمی بوده است. در لحظه $t = 0$ هر دو کلید S_1 و S_2 بسته می‌شوند. مقدار

جریان i، برای $t > 0$ کدام است؟



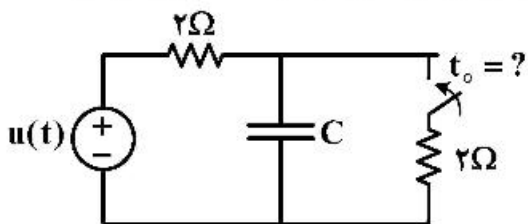
(۱) $2 + 8e^{-2t}$

(۲) $2 + 8e^{-\frac{t}{2}}$

(۳) $6 + 4e^{-\frac{t}{2}}$

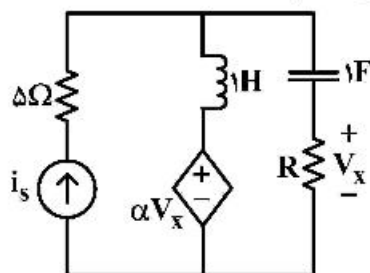
(۴) $6 + 4e^{-2t}$

۱۰۶- در مدار زیر، کلید در چه زمانی بسته شود تا پس از بسته شدن آن، ولتاژ خازن ثابت بماند؟ (در زمان‌های $t < 0$ خازن بدون بار است)



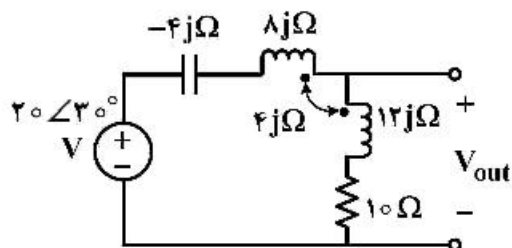
- (۱) C
- (۲) $2C$
- (۳) $C \ln 2$
- (۴) $2C \ln 2$

۱۰۷- در مدار زیر، به ازای چه مقادیری از α ، مدار نوسانی (بدون اتلاف) می‌شود؟ ($R > 0$)



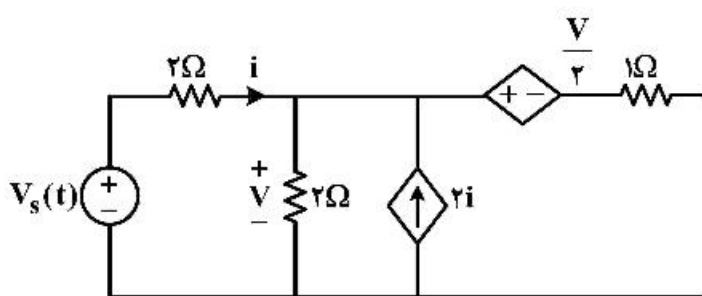
- (۱) $\alpha = 3$
- (۲) $\alpha = 1$
- (۳) $\alpha = -1$
- (۴) $\alpha = 2$

۱۰۸- در مدار زیر، ولتاژ خروجی V_{out} ، کدام است؟



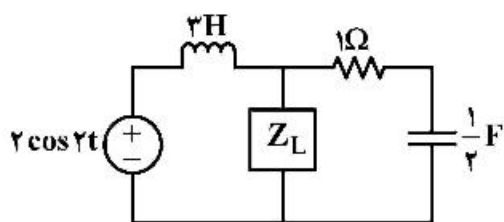
- (۱) $20 \angle 30^\circ$
- (۲) $20 \angle -30^\circ$
- (۳) $10 \angle 30^\circ$
- (۴) $10 \angle -30^\circ$

۱۰۹- در مدار زیر، منبع ولتاژ $V_s(t) = 3V$ به مدار اعمال شده است. در مورد توان منبع جریان وابسته چه می‌توان گفت؟



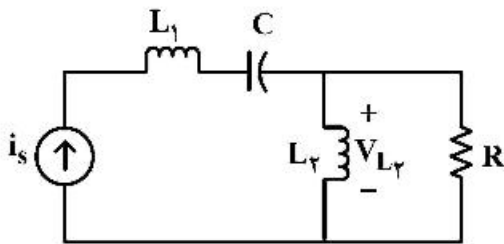
- (۱) ۶ وات توان تحویل می‌گیرد.
- (۲) ۶ وات توان تحویل می‌دهد.
- (۳) $\frac{54}{25}$ وات توان تحویل می‌دهد.
- (۴) $\frac{54}{25}$ وات توان تحویل می‌گیرد.

۱۱۰- مدار زیر در حالت دائمی سینوسی قرار دارد. برای این‌که حداکثر توان متوسط به Z_L منتقل شود، مقدار آن کدام است؟



- (۱) $\frac{3}{13}(1 - 2/5j)$
- (۲) $\frac{3}{13}(6 - 4j)$
- (۳) $\frac{3}{13}(6 + 4j)$
- (۴) $\frac{3}{13}(1 + 2/5j)$

۱۱۱- پاسخ ضربه‌ی ولتاژ دو سر سلف L_1 ، کدام است؟



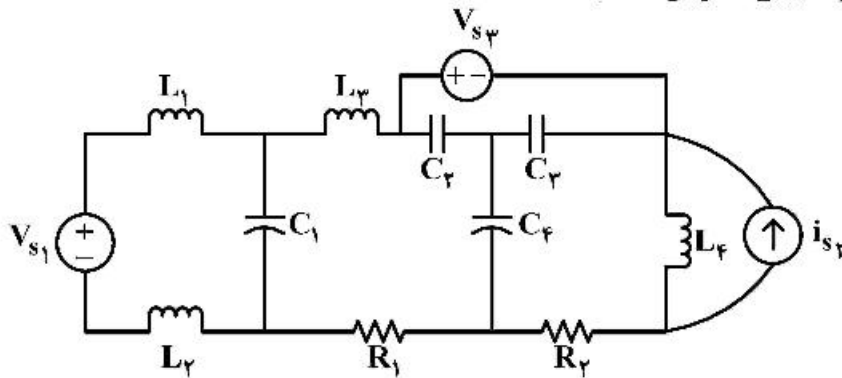
$$V_{L_2}(t) = R\delta(t) - \frac{R^2}{L_2} e^{-\frac{R}{L_2}t} u(t) \quad (۱)$$

$$V_{L_2}(t) = -\delta(t) + \frac{R}{L_2} e^{-\frac{R}{L_2}t} u(t) \quad (۲)$$

$$V_{L_2}(t) = -\delta(t) + \frac{R}{L_1} e^{-\frac{R}{L_1}t} u(t) \quad (۳)$$

$$V_{L_2}(t) = R\delta(t) - \frac{R^2}{L_1} e^{-\frac{R}{L_1}t} u(t) \quad (۴)$$

۱۱۲- مرتبه‌ی مدار زیر و تعداد فرکانس‌های طبیعی صفر آن، کدام است؟



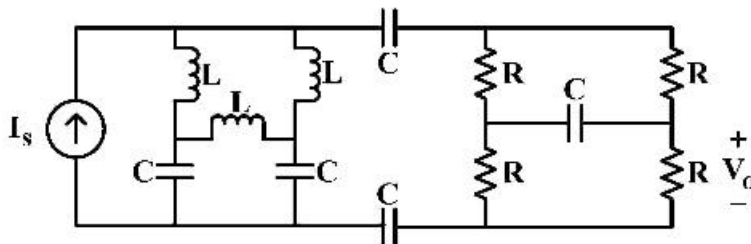
(۱) ۱ و ۲

(۲) ۲ و ۶

(۳) ۲ و ۷

(۴) ۱ و ۶

۱۱۳- در مدار زیر تابع شبکه $\Pi(s) = \frac{V_o}{I_s}$ ، حداکثر چند قطب دارد؟



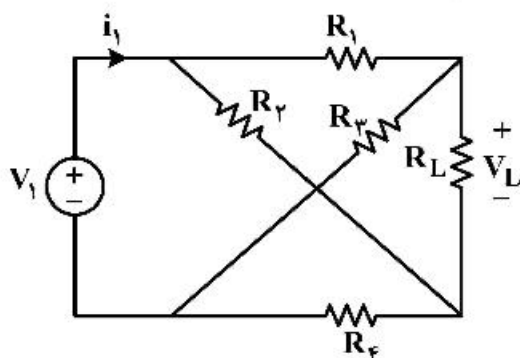
(۱) ۴

(۲) ۵

(۳) ۶

(۴) ۸

۱۱۴- در مدار زیر دو دسته اندازه‌گیری به شرح زیر انجام شده است. مقدار \hat{V}_L کدام است؟



$R_L = 2\Omega$	$\hat{R}_L = 4\Omega$
$i_1 = -2A$	$\hat{i}_1 = -2/4A$
$V_1 = 8V$	$\hat{V}_1 = 12V$
$V_L = 2V$	$\hat{V}_L = ?$

(۴) ۹/۶

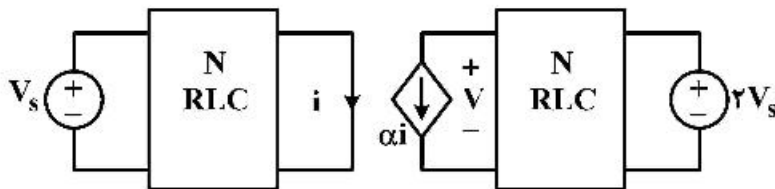
(۳) ۶/۹

(۲) -۶/۹

(۱) -۹/۶

۱۱۵- در شکل زیر، دو قطبی N از عناصر RLC تشکیل شده است. در آزمایش زیر داریم: $V = \beta V_s$ ، $(V_s \neq 0)$ ، پارامتر h_{21} در ماتریس هایبرید دوقطبی N کدام است؟

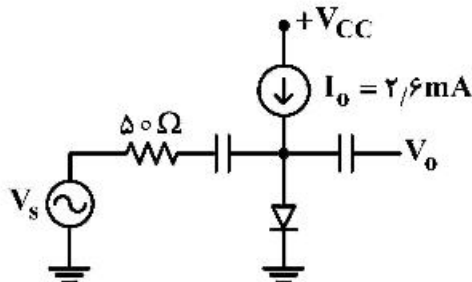
$$\begin{pmatrix} V_1 \\ I_2 \end{pmatrix} = \begin{pmatrix} h_{11} & h_{12} \\ h_{21} & h_{22} \end{pmatrix} \begin{pmatrix} I_1 \\ V_2 \end{pmatrix}$$



- (۱) $\frac{2}{\alpha - \beta}$
- (۲) $\frac{1}{\alpha\beta - 2}$
- (۳) $\frac{\alpha}{\beta - 2}$
- (۴) $\frac{\beta}{\alpha - 2}$

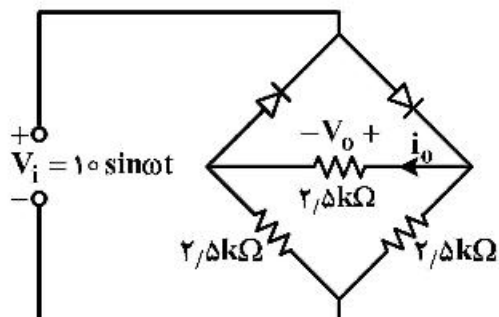
الکترونیک (۲۰):

۱۱۶- در مدار زیر اگر دامنه سیگنال سینوسی منبع V_s برابر $V_m = 12mV$ باشد، دامنه سیگنال V_o ، حدود چند میلی ولت است؟



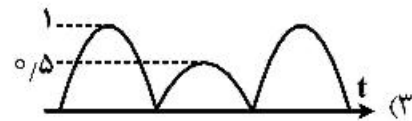
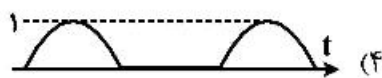
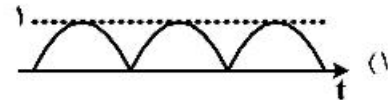
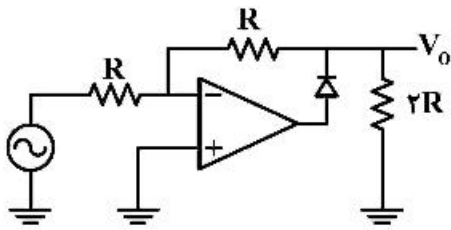
- (۱) ۰
- (۲) ۲
- (۳) ۶
- (۴) ۱۲

۱۱۷- در مدار زیر، دیودها ایدئال هستند. مقدار DC جریان خروجی، چند میلی آمپر است؟

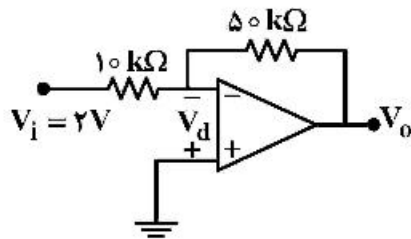


- (۱) $\frac{4}{\pi}$
- (۲) $\frac{5}{\pi}$
- (۳) $\frac{2}{\pi}$
- (۴) $\frac{10}{\pi}$

۱۱۸- اگر یک ولتاژ سینوسی با دامنه یک ولت به مدار زیر اعمال شود، شکل موج ولتاژ خروجی کدام خواهد بود؟



۱۱۹- در مدار زیر بهره مدار باز آپ امپ $A_o = 5000$ است. مقدار V_d به کدام گزینه نزدیک تر است؟



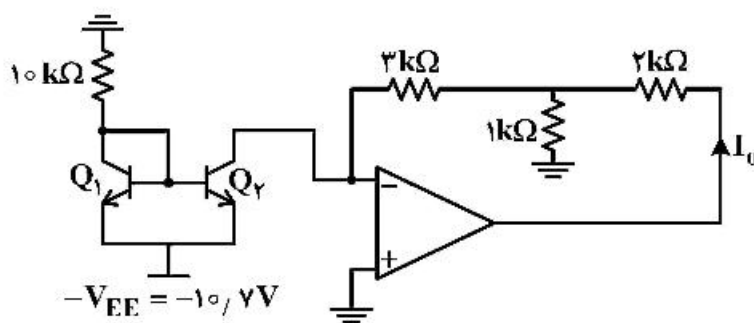
(۱) -2mV

(۲) ۰

(۳) $+2\text{mV}$

(۴) $+2\text{V}$

۱۲۰- در مدار زیر، آپ امپ ایدئال و ترانزیستورها یکسان و دارای β بزرگ و $V_{BE,on} = 0.7\text{V}$ هستند. مقدار جریان



I_o ، چند میلی آمپر است؟

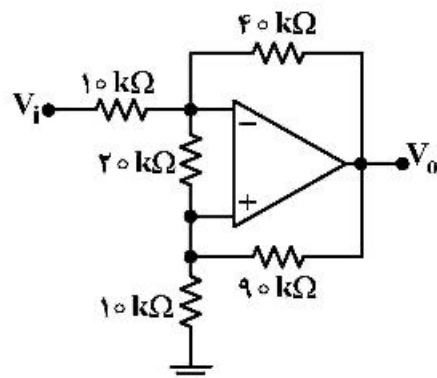
(۱) ۴

(۲) ۳

(۳) ۲

(۴) ۱

۱۲۱- در مدار زیر آپ امپ ایدئال فرض شود. اندازه بهره ولتاژ کدام است؟



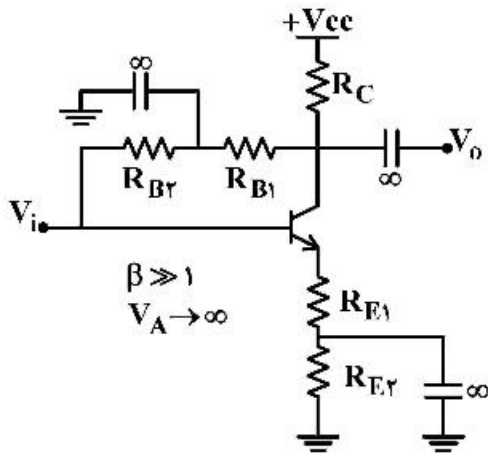
(۱) ۲

(۲) ۴

(۳) ۶

(۴) ۸

۱۲۲- بهره و ولتاژ تقویت کننده زیر به کدام گزینه نزدیک تر است؟



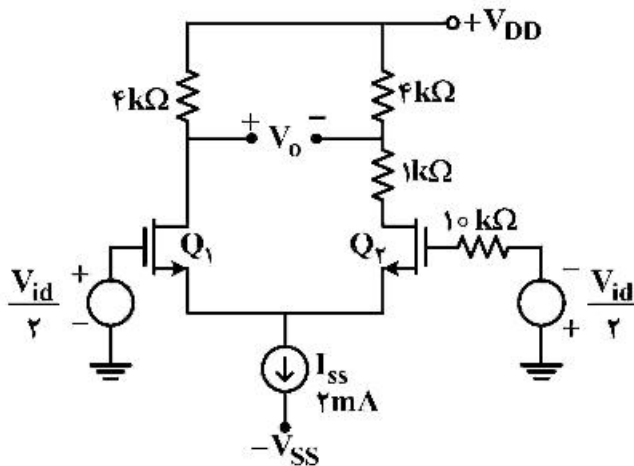
$$\frac{-\beta(R_C \parallel R_{B1})}{r_{\pi1} + \beta R_{E1}} \quad (1)$$

$$\frac{-\beta(R_C \parallel R_{B1})}{r_{\pi1} + \beta R_{E2}} \quad (2)$$

$$\frac{-\beta(R_C \parallel R_{B1})}{r_{\pi1} + \beta R_{B2}} \quad (3)$$

$$\frac{-\beta(R_C \parallel R_{B1})}{r_{\pi1} + R_{E1}} \quad (4)$$

۱۲۳- در ترانزیستورهای مدار زیر $\frac{W}{L} = 0.5 \frac{\text{mA}}{\text{V}^2}$ و $\mu_n C_{ox} = 0.5 \frac{\text{mA}}{\text{V}^2}$ است و منبع جریان ایدئال فرض می شود. اندازه بهره و ولتاژ $\frac{V_0}{V_{id}}$ به کدام گزینه نزدیک تر است؟



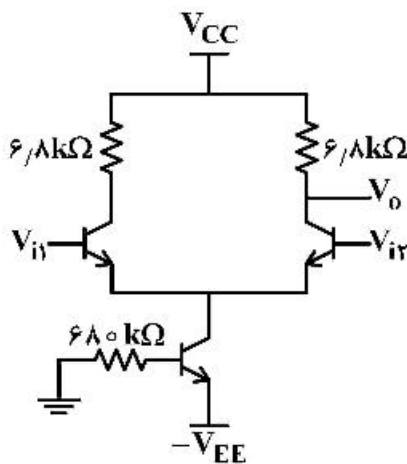
۲ (۱)

۴ (۲)

۶ (۳)

۸ (۴)

۱۲۴- در تقویت کننده زیر، با فرض این که کلیه ترانزیستورها دارای $\beta = 100$ ، $r_{\pi} = 5 \text{ k}\Omega$ و $r_o = 50 \text{ k}\Omega$ باشند، ضریب CMRR، به کدام گزینه نزدیک تر است؟



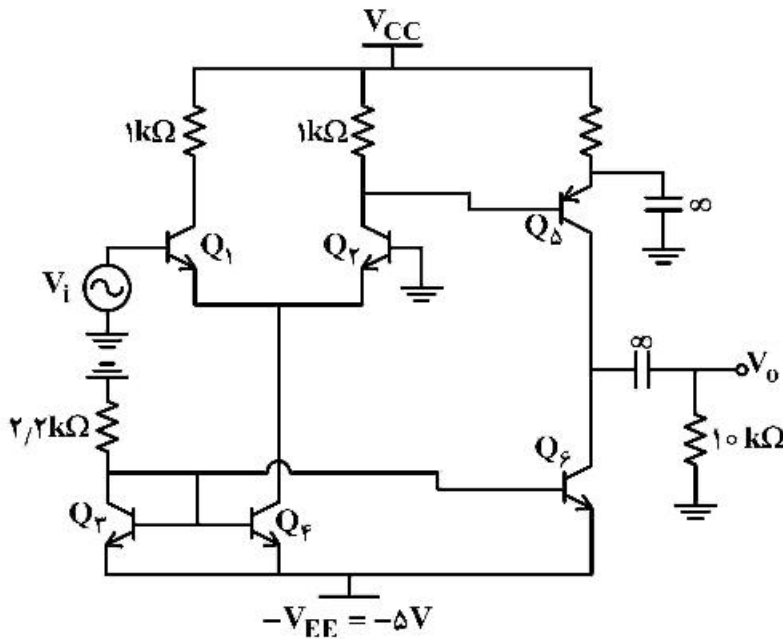
۳۳۳ (۱)

۵۰۰ (۲)

۱۰۰۰ (۳)

۱۵۰۰ (۴)

۱۲۵- در شکل زیر، ترانزیستورها یکسان هستند و در ناحیه فعال قرار دارند. مقدار $A_V = \left| \frac{V_o}{V_i} \right|$ ، به کدام گزینه نزدیک تر است؟

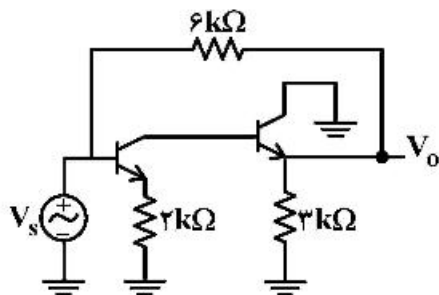


نزدیک تر است؟

- (۱) ۵۰۰۰
- (۲) ۷۰۰۰
- (۳) ۹۰۰۰
- (۴) ۱۱۰۰۰

$\beta = 100$
 $V_T = 25mV$
 $V_A = 200V$
 $|V_{BE,on}| = 0.6V$

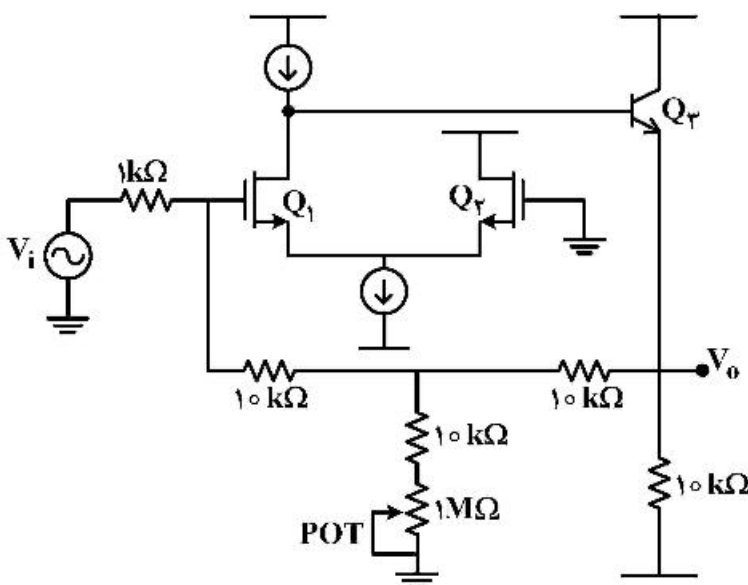
۱۲۶- در مدار زیر، اندازه $\frac{V_o}{V_s}$ به کدام گزینه نزدیک تر است؟ ترانزیستورها دارای پارامترهای سیگنال کوچک مشابه فرض شوند: $\beta = 100, r_{\pi} = 1k\Omega$.



فرض شوند: $\beta = 100, r_{\pi} = 1k\Omega$.

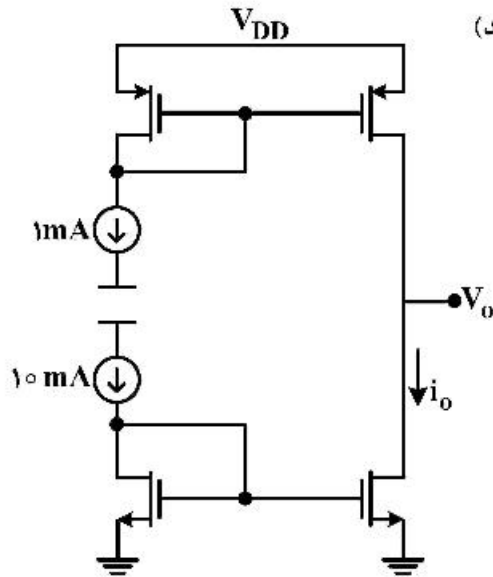
- (۱) ۳۳
- (۲) ۵۰
- (۳) ۱۰۰
- (۴) ۱۵۰

۱۲۷- در تقویت کننده زیر با تغییر پتانسیومتر $1M\Omega$ در کل محدوده تغییرات آن، اندازه بهره مدار در چه محدوده‌ای تغییر می‌کند؟



تغییر می‌کند؟

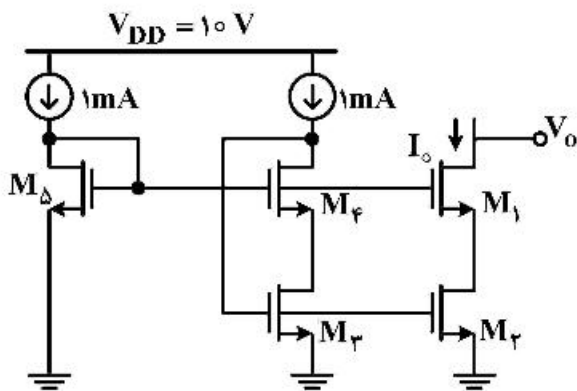
- (۱) ۲۰ تا ۱۰
- (۲) ۳۰ تا ۲۰
- (۳) ۴۰ تا ۳۰
- (۴) ۵۰ تا ۴۰



۱۲۸- در مدار زیر i_o و V_o چقدر هستند؟ (ابعاد ترانزیستورها مشابهند)

- (۱) $V_o = V_{DD}$ $i_o = 1 \text{ mA}$
- (۲) $V_o = V_{DD}$ $i_o = 10 \text{ mA}$
- (۳) $V_o = 0$ $i_o = 10 \text{ mA}$
- (۴) $V_o = 0$ $i_o = 1 \text{ mA}$

۱۲۹- حداقل ولتاژ خروجی برای این که منبع جریان I_o در ناحیه فعال باقی بماند چند ولت است؟



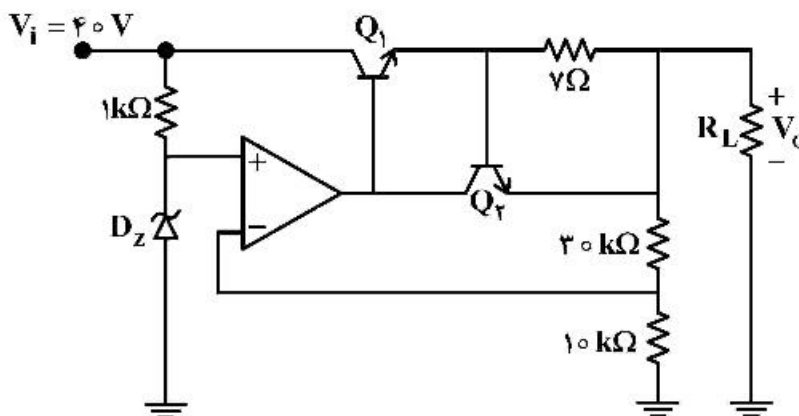
$$V_{TH} = 1V$$

$$(\mu_n C_{ox} \frac{W}{L})_{1,2,3,4} = \frac{1 \text{ mA}}{2 V^2}$$

$$(\mu_n C_{ox} \frac{W}{L})_{\Delta} = \frac{1 \text{ mA}}{8 V^2}$$

- (۱) ۲
- (۲) ۳
- (۳) ۴
- (۴) ۵

۱۳۰- در مدار زیر، ترانزیستورها مشابه و دارای β بزرگ و $V_{BE,on} = 0.7V$ هستند. آپ امپ ایدئال بوده و ولتاژ شکست دیود زبر $6.25V$ است. شرط روشن بودن Q_2 کدام است؟



- (۱) $R_L < 1255 \Omega$
- (۲) $R_L < 1000 \Omega$
- (۳) $R_L < 500 \Omega$
- (۴) $R_L < 250 \Omega$

مشاهده کلید اولیه سوالات آزمون کارشناسی ارشد 1399

کلید اولیه آزمون کارشناسی ارشد سال 1399

به اطلاع می‌رساند، کلید اولیه سوالات که در این سایت قرار گرفته است، غیر قابل استناد است و پس از دریافت نظرات داوطلبان و صاحب نظرات کلید نهایی سوالات تهیه و بر اساس آن کارنامه داوطلبان استخراج خواهد شد. در صورت تمایل می‌توانید حداکثر تا تاریخ 1399/05/22 با مراجعه به سامانه پاسخگویی اینترنتی (request.sanjesh.org) نسبت به تکمیل فرم "اعتراض به کلید سوالات"/"آزمون کارشناسی ارشد سال 1399" اقدام نمایید. لازم به ذکر است نظرات داوطلبان فقط تا تاریخ مذکور و از طریق فرم ذکر شده دریافت خواهد شد و به موارد ارسالی از طریق دیگر (نامه مکتوب یا فرم عمومی در سامانه پاسخگویی و ...) یا پس از تاریخ اعلام شده رسیدگی نخواهد شد.

گروه امتحانی	نوع دفترچه	عنوان دفترچه
فنی و مهندسی	F	مهندسی ابزار دقیق و اتوماسیون در صنایع نفت

شماره سوال	گزینه صحیح	شماره سوال	گزینه صحیح	شماره سوال	گزینه صحیح	شماره سوال	گزینه صحیح	شماره سوال	گزینه صحیح	شماره سوال	گزینه صحیح
1	4	31	1	61	4	91	3	121	4	151	سفید
2	1	32	4	62	1	92	2	122	1	152	سفید
3	1	33	4	63	1	93	2	123	2	153	سفید
4	3	34	2	64	2	94	4	124	3	154	سفید
5	2	35	3	65	4	95	1	125	2	155	سفید
6	3	36	1	66	2	96	3	126	3	156	سفید
7	2	37	3	67	3	97	3	127	2	157	سفید
8	4	38	2	68	4	98	1	128	4	158	سفید
9	2	39	4	69	4	99	4	129	3	159	سفید
10	1	40	4	70	1	100	2	130	4	160	سفید
11	2	41	1	71	2	101	2	131	سفید	161	سفید
12	3	42	3	72	2	102	4	132	سفید	162	سفید
13	4	43	2	73	1	103	2	133	سفید	163	سفید
14	1	44	3	74	3	104	1	134	سفید	164	سفید
15	2	45	1	75	1	105	3	135	سفید	165	سفید
16	3	46	1	76	4	106	4	136	سفید	166	سفید
17	4	47	4	77	2	107	2	137	سفید	167	سفید
18	3	48	3	78	3	108	1	138	سفید	168	سفید
19	2	49	4	79	3	109	3	139	سفید	169	سفید
20	1	50	1	80	4	110	3	140	سفید	170	سفید
21	1	51	4	81	4	111	1	141	سفید	171	سفید
22	1	52	2	82	1	112	4	142	سفید	172	سفید
23	2	53	2	83	2	113	2	143	سفید	173	سفید
24	3	54	1	84	3	114	1	144	سفید	174	سفید
25	4	55	4	85	1	115	4	145	سفید	175	سفید
26	2	56	1	86	4	116	2	146	سفید	176	سفید
27	4	57	3	87	3	117	1	147	سفید	177	سفید
28	4	58	2	88	4	118	3	148	سفید	178	سفید
29	1	59	3	89	3	119	1	149	سفید	179	سفید
30	3	60	1	90	4	120	1	150	سفید	180	سفید
شماره سوال	گزینه صحیح	شماره سوال	گزینه صحیح	شماره سوال	گزینه صحیح	شماره سوال	گزینه صحیح	شماره سوال	گزینه صحیح	شماره سوال	گزینه صحیح
181	سفید	211	سفید	241	سفید	271	سفید	301	سفید		
182	سفید	212	سفید	242	سفید	272	سفید	302	سفید		
183	سفید	213	سفید	243	سفید	273	سفید	303	سفید		
184	سفید	214	سفید	244	سفید	274	سفید	304	سفید		
185	سفید	215	سفید	245	سفید	275	سفید	305	سفید		
186	سفید	216	سفید	246	سفید	276	سفید	306	سفید		
187	سفید	217	سفید	247	سفید	277	سفید	307	سفید		
188	سفید	218	سفید	248	سفید	278	سفید	308	سفید		

189	سفید	219	سفید	249	سفید	279	سفید	309	سفید
190	سفید	220	سفید	250	سفید	280	سفید	310	سفید
191	سفید	221	سفید	251	سفید	281	سفید	311	سفید
192	سفید	222	سفید	252	سفید	282	سفید	312	سفید
193	سفید	223	سفید	253	سفید	283	سفید	313	سفید
194	سفید	224	سفید	254	سفید	284	سفید	314	سفید
195	سفید	225	سفید	255	سفید	285	سفید	315	سفید
196	سفید	226	سفید	256	سفید	286	سفید	316	سفید
197	سفید	227	سفید	257	سفید	287	سفید	317	سفید
198	سفید	228	سفید	258	سفید	288	سفید	318	سفید
199	سفید	229	سفید	259	سفید	289	سفید	319	سفید
200	سفید	230	سفید	260	سفید	290	سفید	320	سفید
201	سفید	231	سفید	261	سفید	291	سفید		
202	سفید	232	سفید	262	سفید	292	سفید		
203	سفید	233	سفید	263	سفید	293	سفید		
204	سفید	234	سفید	264	سفید	294	سفید		
205	سفید	235	سفید	265	سفید	295	سفید		
206	سفید	236	سفید	266	سفید	296	سفید		
207	سفید	237	سفید	267	سفید	297	سفید		
208	سفید	238	سفید	268	سفید	298	سفید		
209	سفید	239	سفید	269	سفید	299	سفید		
210	سفید	240	سفید	270	سفید	300	سفید		

خروج