

کد کنترل

717

A



717A

## آزمون ورودی دوره‌های کارشناسی ارشد ناپیوسته داخل - سال ۱۴۰۰

صبح پنجشنبه



«اگر دانشگاه اصلاح شود مملکت اصلاح می‌شود.»  
امام خمینی (ره)

جمهوری اسلامی ایران  
وزارت علوم، تحقیقات و فناوری  
سازمان سنجش آموزش کشور

### علوم و مهندسی آب - (کد ۱۳۰۲)

مدت پاسخ‌گویی: ۱۵۰ دقیقه

تعداد سؤال: ۳۰۰

عنوان مواد امتحانی، تعداد و شماره سؤالات

ردیف	مواد امتحانی	تعداد سؤال	از شماره	تا شماره
۱	زبان عمومی و تخصصی (انگلیسی)	۳۰	۱	۳۰
۲	ریاضیات	۲۰	۳۱	۵۰
۳	هیدرولیک و هیدرولیک انهار	۲۰	۵۱	۷۰
۴	رابطه آب و خاک و گیاه	۲۰	۷۱	۹۰
۵	سیستم‌های آبیاری	۲۰	۹۱	۱۱۰
۶	مهندسی زهکشی	۳۰	۱۱۱	۱۳۰
۷	هیدرولوژی	۲۰	۱۳۱	۱۵۰
۸	مکانیک خاک	۲۰	۱۵۱	۱۷۰
۹	ساختمان‌های انتقال و توزیع آب	۲۰	۱۷۱	۱۹۰
۱۰	هیدرولوژی آب‌های سطحی و زیرزمینی	۲۰	۱۹۱	۲۱۰
۱۱	آمار و احتمالات	۲۰	۲۱۱	۲۳۰
۱۲	مدیریت منابع آب	۲۰	۲۳۱	۲۵۰
۱۳	دروس تخصصی هواشناسی کشاورزی (هوا و اقلیم‌شناسی، زراعت، باغبانی، خاک‌شناسی، آبیاری، گیاه‌پزشکی)	۵۰	۲۵۱	۳۰۰

استفاده از ماشین‌حساب مجاز نیست.

این آزمون نمره منفی دارد.

حق چاپ، تکثیر و انتشار سؤالات به هر روش (الکترونیکی و...) پس از برگزاری آزمون، برای تمامی اشخاص حقیقی و حقوقی تنها با مجوز این سازمان مجاز می‌باشد و با متخلفین برابر مقررات رفتار می‌شود.

\* داوطلب گرامی، عدم درج مشخصات و امضا در مندرجات جدول ذیل، به منزله عدم حضور شما در جلسه آزمون است.

اینجانب ..... با شماره داوطلبی ..... با آگاهی کامل، یکسان بودن شماره صندلی خود را با شماره داوطلبی مندرج در بالای کارت ورود به جلسه، بالای پاسخنامه و دفترچه سؤالات، نوع و کد کنترل درج شده بر روی دفترچه سؤالات و پائین پاسخنامه را تأیید می‌نمایم.

امضا:

زبان عمومی و تخصصی (انگلیسی):

### PART A: Vocabulary

**Directions:** Choose the word or phrase (1), (2), (3), or (4) that best completes each sentence. Then mark the correct choice on your answer sheet.

- 1- I ----- the argument because I didn't know enough about the subject.  
1) depicted                      2) confronted                      3) dropped                      4) broached
- 2- Because my husband is a ----- supporter of the high school football team, he donates money to their organization every year.  
1) zealous                      2) anomalous                      3) receptive                      4) successive
- 3- Since the journey is -----, be sure to bring a first-aid kit.  
1) courageous                      2) cautious                      3) enormous                      4) perilous
- 4- The writer's stories appeal to a wide range of people—young and old, ----- and poor, literary and nonliterary.  
1) economical                      2) financial                      3) affluent                      4) elite
- 5- His nostalgia ----- of growing up in a small city are comical, though they are perhaps embellished for comic effect.  
1) impacts                      2) accounts                      3) entertainments                      4) bibliographies
- 6- On a chilly night, you might like to curl up by the fireside and ----- a cup of hot chocolate while reading one of Thurber's books.  
1) imbibe                      2) amalgamate                      3) relieve                      4) fascinate
- 7- Although Mr. Jackson was -----, he attempted to be jovial so that his colleagues at the meeting wouldn't think there was a problem.  
1) unpretentious                      2) painstaking                      3) apprehensive                      4) attentive
- 8- Obviously the network is overreacting and engaging in ----- when they say "55 million people are in danger!" for normal thunderstorms.  
1) distinction                      2) exaggeration                      3) expectation                      4) justification
- 9- My high school biology teacher loved to ----- from science into personal anecdotes about his college adventures.  
1) evolved                      2) converted                      3) reversed                      4) digressed
- 10- Landing a plane on an aircraft carrier requires a great deal of -----, as you can crash if you miss the landing zone by even a little bit.  
1) precision                      2) innovation                      3) superiority                      4) variability

**PART B: Cloze Test**

**Directions:** Read the following passage and decide which choice (1), (2), (3), or (4) best fits each space. Then mark the correct choice on your answer sheet.

For some time now, medical scientists have noted an alarming increase in diseases of the heart and circulation among people who smoke cigarettes. (11) ----- in the bloodstream causes blood vessels to contract, thus (12) ----- circulation, which eventually leads to hardening of the arteries. (13) ----- the arteries stiffen, less blood reaches the brain, and the end result of this slowdown is a cerebral hemorrhage, commonly (14) ----- to as a "stroke". In addition, (15) ----- reduces the ability of the hemoglobin to release oxygen, resulting in shortness of breath.

- 11- 1) The presence of tobacco is found  
 2) The presence of tobacco it is found  
 3) To be found the presence of tobacco  
 4) It has been found that the presence of tobacco
- 12- 1) slows                      2) to slow                      3) slowing                      4) it slows
- 13- 1) So                              2) As                              3) Afterwards                      4) Due to
- 14- 1) referred                      2) that referred                      3) referring                      4) it is referred
- 15- 1) bloodstream's tobacco                      2) the tobacco in bloodstream it  
 3) tobacco in the bloodstream which                      4) tobacco in the bloodstream

**PART C: Reading Comprehension**

**Directions:** Read the following three passages and answer the questions by choosing the best choice (1), (2), (3), or (4). Then mark the correct choice on your answer sheet.

**PASSAGE 1:**

The climate of Bangladesh is characterized by monsoon- season of tropical heavy rain- influenced by the Himalaya Mountains in the north and the Bay of Bengal in the south. The monsoon in the region commences in April and is active until October. The pre-monsoon period is often marked by severe cyclonic storms and hailstorms. High monsoon rains associated with Bangladesh's unique geographical location in the eastern part of the delta of the world's second largest river basin make it extremely vulnerable to recurring floods. Agriculture is the dominant land use in the country covering about %59 of the land, and rivers, and other water bodies constitute about 9%.

Diverse circumstances lead to destructive floods in Bengal region. There is extremely high rainfall in the monsoon season. The seaward slope of southern West Bengal is very low, and the Ganga delta is tidal in nature. There are several low-lying areas where water lies stagnant. There is silting of several outlet canals reducing carrying capacity. Contributing is human encroachment on them hampering renovation of those canals.

Flash flood-prone areas of the India and Bangladesh are at the foothills. Intense local and short-lived rainfall often associated with mesoscale convective clusters is the primary cause of flash floods. These are characterized by a sharp rise followed by a

relatively rapid recession. Often high velocities of overflow disrupt crops of the wetland. Flash flood can occur within a few hours and are particularly frequent in the months of April and May.

Storm surge flood mostly occurs along the coastal areas of Bangladesh and West Bengal. Continental shelves in this part of the Bay of Bengal are shallow and extend to about 20–50 kms. Moreover, the coastline in the eastern portion is conical and funnel-like in shape. Because of these two factors, storm surges generated due to any cyclonic storm is comparatively high compared to the same kind of storm in several other parts of the world. In case of the super-cyclones maximum height of the surges were found up to 15 m, which causes flooding in the entire coastal belt.

- 16- According to paragraph 1, which of the following is true about Bengal region?
- 1) Being adjacent to one of the hugest rivers in the world leads to common heavy rains that cause floods.
  - 2) Hailstorm which is a characteristic of monsoon period is quite common in Bangladesh.
  - 3) Rivers from Himalaya and Bay of Bengal drain in the region.
  - 4) Rivers and water bodies constitute more than half of the land in this region.
- 17- Why does the author mention “human encroachment on them” in the second paragraph?
- 1) To introduce the result of water stagnation
  - 2) To discuss the reason for silting of canals
  - 3) To provide another reason why the capacity of outlet canals has reduced
  - 4) To clarify the most important contributing factor to floods
- 18- The word “disrupts” in paragraph 3 is closest in meaning to -----.
- 1) drowns
  - 2) damages
  - 3) influences
  - 4) passes
- 19- According to paragraph 3, all of the following are true EXCEPT -----.
- 1) a comparatively rapid recession follows the initial rise during flash floods
  - 2) mesoscale convective clusters lead to severe, temporary rainfall
  - 3) only parts of India and Bangladesh are prone to flash floods
  - 4) the flash floods that happen in April and May can take days
- 20- Which of the following is true about storm surged flood according to paragraph 4?
- 1) The height of surges in super cyclones is more than 15 m.
  - 2) Cyclonic storms of this region result in storm surges that are relatively high.
  - 3) The floods caused by super cyclones affect the entire Bangladesh and West Bengal.
  - 4) The funnel-like shape of the eastern coastline is the primary reason for huge storm surges.

### PASSAGE 2:

The basic premise in the management of any system is the ability to minimize risk. In the context of an ecosystem, one of the important questions is the integrity of the environment and how this integrity is compromised by management. With mismanagement in ecosystems, the risk of permanent damage to the environment is very high. From a biodiversity point of view, the risk extends from changes in ecosystem composition that have significant positive or negative impacts on functions to extinction of species. From a land use point of view, the risks deal with impacts on productivity of the land and concomitant impacts on aquatic systems within the watershed and at the terminus of the watershed.

The causal chain that leads to these marked changes in ecosystems of watersheds are many and, in several countries, are frequently associated with demands for more land by the increased rural populations. In addition, there are also the impending impacts of global climate change, which, depending on the locality, may be strong. Ecosystem degradation processes are thus strongly affected by increased population, poverty in many of the developing countries, enhanced demand for ecosystem products, and uncontrolled rates of resource exhaustion.

The negative effects of ecosystem degradation commence with the imperceptible changes in biodiversity and lead eventually to the process commonly called "desertification". Cropland quality is slowly reduced through land degradation processes. When crop yields reach their marginal utility value or when it is no longer economically productive to grow a crop, the land is either abandoned (example of shifting cultivation) or used for grazing. In the latter case, a frequent process is overgrazing and an indicator of reduction in land quality is repetitive replacements of large ruminants with small. The consequence of these is a further degradation of land that is no longer appropriate for grazing. Next comes change in the hydrology of the watershed, resulting in reduced biomass quality and quantity and leading to reduced carbon sequestration and enhanced albedo.

- 21- According to paragraph 1, the main question regarding risks in managing an ecosystem is -----.
- 1) biodiversity loss
  - 2) productivity of the environment
  - 3) different ways to preserve the integrity of aquatic systems
  - 4) dangers that management can impose on environmental integrity
- 22- It can be inferred from paragraph 1 that lack of proper management -----.
- 1) negatively influences functions of species
  - 2) does not have an everlasting impact on the ecosystem
  - 3) negatively affects both the ecosystem and land productivity
  - 4) results in the extinction of all species within an ecosystem
- 23- As discussed in paragraph 2, destructive influences on ecosystems include all of the following EXCEPT -----.
- |  |  |
|--|--|
| 1) local degradation                   | 2) population pressure                   |
| 3) destitution in developing countries | 4) unrestrained consumption of resources |
- 24- What is the first consequence of the cropland being unproductive based on the discussion in paragraph 3?
- |                               |                                     |
|-------------------------------|-------------------------------------|
| 1) Ruminant replacement       | 2) Change in biodiversity           |
| 3) Using the land for grazing | 4) Decreasing the amount of grazing |
- 25- The word "these" in paragraph 3 refers to -----.
- |              |                            |
|--------------|----------------------------|
| 1) changes   | 2) processes               |
| 3) ruminants | 4) repetitive replacements |

**PASSAGE 3:**

A watershed stores rainwater once it filters through the soil. Once the watershed's soils are saturated, water will either percolate deeper, or runoff the surface. This can result

in freshwater aquifers and springs. Also, water moves through the soil to seeps and springs, and is ultimately released into streams, rivers, and the ocean.

A watershed should be managed as a single unit. Each small piece of the landscape has an important role in the overall health of the watershed. Paying attention primarily to the riparian zone, an area critical to a watershed's release function, will not make up for lack of attention to the watershed's uplands. They play an equally important role in the watershed, the capture and storage of moisture. It is seamless management of the entire watershed, and an understanding of the hydrologic process, that ensures watershed health.

Development pressures found within urban areas place natural areas at great risk. Without specific laws mandating their protection, natural areas make way for transit corridors, residential development, commercial and industrial projects, and associated parking/storage areas. Public parks and green spaces provide a refuge from the built environment, but fall very short of retaining the habitat components necessary to sustain native fish and wildlife populations, clean air and water, aesthetics, and adequate recreational opportunities. As a result, the livability of a city is compromised when natural areas are converted to more intense land uses.

Local governments have a large role in protecting urban natural areas. This role is reinforced by legislation and laws which requires them to develop and implement plans which conform with planning standards - conserving open space and protecting natural and historic resources for future generations; protecting urban natural areas at the local level; and other issues.

- 26- **When the soil is saturated, water will -----.**  
 1) leak into the ground or flow on the surface  
 2) move through the soil  
 3) flow to lakes  
 4) evaporate
- 27- **Paying attention to all the following influences the overall health of watershed EXCEPT -----.**  
 1) uplands  
 2) urban areas  
 3) riparian zone  
 4) the hydrologic process
- 28- **It can be understood from paragraph 3 that converting natural areas to residential use can -----.**  
 1) protect natural habitat  
 2) endanger natural environment  
 3) improve livability of cities  
 4) add to recreational spaces
- 29- **The word "retaining" in paragraph 3 is closest in meaning to -----.**  
 1) cleaning  
 2) decorating  
 3) damaging  
 4) preserving
- 30- **What role does paragraph 4 play in the overall discussion of the passage?**  
 1) Introducing a general scheme to address the problem discussed in the previous paragraphs  
 2) Introducing local governments that have been successful in protecting the environment  
 3) Negating the points discussed in the above paragraphs  
 4) Discussing the dangers future generations will face

## ریاضیات:

۳۱- اگر  $z = x + iy$  جواب معادله  $\cos(z) = -3$  باشد، آنگاه مقدار  $x$  کدام است؟

$$(1) \quad x = 2k\pi - \frac{\pi}{2}, k \in \mathbb{Z}$$

$$(2) \quad x = 2k\pi + \frac{\pi}{2}, k \in \mathbb{Z}$$

$$(3) \quad x = k\pi + \frac{\pi}{2}, k \in \mathbb{Z}$$

$$(4) \quad x = k\pi - \frac{\pi}{2}, k \in \mathbb{Z}$$

۳۲- فرض کنید  $f(x) = e^{\tanh^{-1}(x)}$ . مقدار  $f(-\frac{1}{2})$  کدام است؟

$$(1) \quad \sqrt{2}$$

$$(2) \quad \sqrt{2}$$

$$(3) \quad \frac{\sqrt{2}}{2}$$

$$(4) \quad \frac{\sqrt{2}}{3}$$

۳۳- مقدار  $\lim_{h \rightarrow 0} \frac{4^{x+h} + 4^{x-h} - 4^{x+\frac{1}{2}}}{h^2}$  کدام است؟

$$(1) \quad 4^{x+1} (\ln 2)^2$$

$$(2) \quad 4^x (\ln 2)^2$$

$$(3) \quad 4^x (\ln 4)$$

$$(4) \quad 4^x (\ln 2)$$

۳۴- تعداد نقاط بحرانی تابع  $f(x) = (x + \ln x)^x$  در بازه  $[1, \infty)$ ، کدام است؟

$$(1) \quad 1$$

$$(2) \quad 2$$

$$(3) \quad 3$$

$$(4) \quad \text{صفر}$$

۳۵- خط قائم بر منحنی  $y = x - x^2$  از نقطه  $A(1, 0)$  می‌گذرد. اگر خط موردنظر نمودار منحنی را در نقطه  $B$  قطع

کند، طول پاره خط  $AB$ ، کدام است؟

$$(1) \quad \frac{\sqrt{2}}{2}$$

$$(2) \quad \sqrt{2}$$

$$(3) \quad 2$$

$$(4) \quad 2\sqrt{2}$$

۳۶- قوطی استوانه‌ای شکل فلزی در بسته‌ای می‌سازیم که یک لیتر روغن در آن جای بگیرد. اگر فلز استفاده‌شده در قوطی مینیمم باشد، نسبت ارتفاع به قطر، کدام است؟

(۱)  $\frac{1}{2}$

(۲) ۱

(۳)  $\frac{3}{2}$

(۴) ۲

۳۷- بردار یکه‌قائم گذرا از منحنی  $y = t^2$  و  $x = 2t$ ، در نقطه  $(-2, 1)$ ، کدام است؟

(۱)  $\frac{i-j}{\sqrt{2}}$

(۲)  $\frac{i-j}{2}$

(۳)  $\frac{i+j}{\sqrt{2}}$

(۴)  $\frac{i+j}{2}$

۳۸- فصل مشترک صفحه  $P$  با صفحات  $xy$ ،  $xz$  و  $yz$  به ترتیب خطوط  $2x + 5y = 10$ ،  $3x + 5z = 15$  و  $3y + 2z = 6$ ، معادله صفحه  $P$ ، کدام است؟

(۱)  $2x + 5y + 10z = 30$

(۲)  $2x + 3y + 10z = 10$

(۳)  $6x + 15y + 10z = 30$

(۴)  $6x + 5y + 10z = 30$

۳۹- وضعیت خطوط  $\begin{cases} x = 1 \\ y = t + 1 \\ z = -t - 1 \end{cases}$  و  $\begin{cases} x + 2z = 2 \\ y = 2 \end{cases}$  نسبت به یکدیگر، کدام است؟

(۱) موازی

(۲) متنافر

(۳) عمود

(۴) متقاطع

۴۰- مقدار  $\int_{-\pi}^{\pi} \sin^2(x) \cos^4(x) dx$ ، کدام است؟

(۱)  $\frac{\pi}{8}$

(۲)  $\frac{\pi}{4}$

(۳)  $\pi$

(۴) صفر



۴۱- اگر تابع پیوسته  $f$  در معادله  $x^2 \sin(\pi x) = \int_0^{x^2} f(t) dt$  صدق کند، مقدار  $f(4)$ ، کدام است؟

(۱)  $\frac{\pi}{4}$

(۲)  $\frac{\pi}{2}$

(۳)  $\pi$

(۴)  $2\pi$

۴۲- فرض کنید  $A = \int_0^{\pi} \cos(x^3) dx$ . کدام رابطه درست است؟

(۱)  $A < \frac{1}{2}$

(۲)  $A > \frac{1}{2}$

(۳)  $A > \frac{\pi}{6}$

(۴)  $A < \frac{\pi}{8}$

۴۳- طول قوس منحنی  $3x = \sqrt{y}(y-3)$  در فاصله  $a \leq y \leq 9$ ، برابر  $\frac{42}{3}$  است. مقدار  $a > 0$ ، کدام است؟

(۱) ۱

(۲)  $\sqrt{2}$

(۳)  $\sqrt{3}$

(۴) ۴

۴۴- خط  $y = 3x$  مساحت ناحیه محصور به نمودار توابع  $y = x^2 - 1$  و  $y = 1 - x^2$  به دو قسمت تقسیم می‌کند. مساحت ناحیه کوچک‌تر، کدام است؟

(۱)  $\frac{1}{3}$

(۲)  $\frac{2}{3}$

(۳)  $\frac{4}{3}$

(۴) ۲

۴۵- مقدار  $\int_0^{\pi} \int_{\frac{y}{2}}^{\pi} \frac{\sin(x)}{x} dx dy$ ، کدام است؟

(۱) صفر

(۲)  $\frac{1}{2}$

(۳) ۱

(۴) ۲

۴۶- فرض کنید  $S$  سطح محصور به استوانه  $y = e^x$  واقع در یک هشتم اول فضا با دامنه  $D = \{(y, z) | 1 \leq y \leq 2, 0 \leq z \leq 1\}$  باشد. شار گذرا از سطح  $S$  توسط میدان نیروی  $\vec{F}(x, y, z) = e^x \vec{i} + 4y \vec{j} + \sinh(z) \vec{k}$ ، کدام است؟

(۱) ۱

(۲)  $\frac{5}{2}$ (۳)  $\frac{11}{2}$ 

(۴) صفر

۴۷- جرم یک ورقه مسطح با چگالی  $\rho(x, y) = \frac{x^2}{y^2}$  که محدود به خطوط  $x = 2$  و  $y = x$  و هذلولی  $xy = 1$  می‌باشد،

کدام است؟

(۱)  $\frac{2}{9}$ (۲)  $\frac{4}{9}$ (۳)  $\frac{9}{4}$ (۴)  $\frac{9}{2}$ 

۴۸- مقدار  $\iint_D (x + 2y) dx dy$  که در آن  $D$  ناحیه درون بیضی به معادله  $4x^2 + y^2 = 4$  واقع در ربع اول صفحه مختصات می‌باشد، کدام است؟

(۱)  $\frac{19}{6}$ (۲)  $\frac{18}{6}$ (۳)  $\frac{19}{5}$ (۴)  $\frac{18}{5}$ 

۴۹- مساحت ناحیه محصور به منحنی  $r^2 = a^2 \cos(2\theta)$  در مختصات قطبی، کدام است؟

(۱)  $\frac{a^2}{2}$ (۲)  $a^2$ (۳)  $2a^2 - a$ (۴)  $4a^2 - a$

۵۰- فرض کنید مسیر بسته C منحنی حاصل از تقاطع صفحه  $2x + y + z = 0$  و کره  $x^2 + y^2 + z^2 = 8$  باشد. اگر  
 $\oint_C (g \nabla f + f \nabla g) \cdot d\vec{r}$  مقدار  $g(x, y, z) = y \sin(z)$ ،  $f(x, y, z) = xy \cos(z)$  باشند، آنگاه مقدار  $\oint_C (g \nabla f + f \nabla g) \cdot d\vec{r}$  کدام است؟

(۱)  $-\pi$ (۲)  $\frac{\pi}{2}$ (۳)  $\pi$ 

(۴) صفر

هیدرولیک و هیدرولیک انهار:

۵۱- سرعت موج سطحی در شرایط جریان بحرانی از دید ناظر حاضر در کنار یک کانال مستطیلی با عمق جریان ۱۰

سانتی‌متر، چقدر است؟ ( $g = 10 \frac{m}{s^2}$ )

(۱) ۱ متر بر ثانیه (۲) ۲ متر بر ثانیه (۳) ۱۰ متر بر ثانیه (۴) ۲۰ متر بر ثانیه

۵۲- با در نظر گرفتن اعماق اولیه و ثانویه یک پرش هیدرولیکی در مسیر یک کانال مستطیلی به میزان  $0.2$  و  $1$  متر و

دبی در واحد عرض نیز به مقدار ۱ مترمکعب بر ثانیه، افت حاصل از این جهش چند متر است؟

(۱) ۱.۶۴ (۲) ۱.۴۶

(۳) ۰.۴۶ (۴) ۰.۶۴

۵۳- با توجه به معادله داریسی - ویسباخ، با نصف شدن دبی جریان در داخل لوله، افت هد لوله چند برابر حالت قبل می‌شود؟

(۱)  $\frac{1}{4}$  (۲)  $\frac{1}{2}$

(۳) ۲ (۴) ۴

۵۴- با افزایش دما به ترتیب لزجت مایعات و لزجت گازها چه تغییری می‌کنند؟

(۱) افزایش - افزایش (۲) افزایش - کاهش (۳) کاهش - افزایش (۴) کاهش - کاهش

۵۵- بالا آمدن کف کانال در یک جریان زیربحرانی موجب ..... می‌شود.

(۱) افزایش سطح آب (۲) افزایش ارتفاع معادل سرعت

(۳) کاهش ارتفاع معادل سرعت (۴) کاهش سطح آب به اندازه  $(y_2 - y_1) + \Delta z$

۵۶- یک شیب تند با زاویه  $30^\circ$  در نظر بگیرید. اگر عمق در صفحه‌ای عمود بر جهت عمومی جریان برابر  $1/5$

متر باشد، مقدار فشار در کف کانال بر حسب متر آب چقدر می‌شود؟

(۱)  $\frac{9}{8}$  (۲)  $\frac{45}{4}$

(۳)  $\frac{3\sqrt{3}}{4}$  (۴)  $\frac{15\sqrt{3}}{2}$

۵۷- اگر شیب کانال در یک کانال مستطیلی افزایش یابد، تغییرات سطح آب در پیژومتر نسبت به حالت قبل کدام است؟

(۱) سطح آب داخل پیژومتر تغییری نمی‌کند. (۲) سطح آب در پیژومتر بالاتر از حالت قبل می‌شود.

(۳) سطح آب داخل پیژومتر مستقل از شیب کانال است. (۴) سطح آب در پیژومتر پایین‌تر از حالت قبل می‌شود.

۵۸- در یک کانال مستطیلی به عرض ۴ متر، عمق جریان ۳ متر است، اگر نیروی مخصوص ۲۳ باشد، دبی جریان چقدر خواهد شد؟ ( $g = 10 \frac{m}{s^2}$ )

(۱)  $15\sqrt{6}$

(۲)  $10\sqrt{6}$

(۳)  $5\sqrt{6}$

(۴)  $\sqrt{6}$

۵۹- اگر انرژی مخصوص مینیمم ۶ متر باشد، سرعت بحرانی چقدر است؟

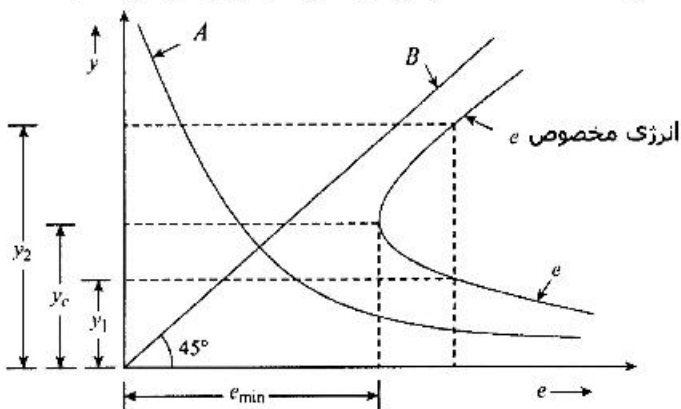
(۱)  $2\sqrt{g}$

(۲)  $3\sqrt{g}$

(۳) ۹

(۴) ۴

۶۰- در شکل زیر نمودار انرژی مخصوص در یک کانال باز نشان داده شده است. نمودارهای A و B به ترتیب بیانگر کدام است؟



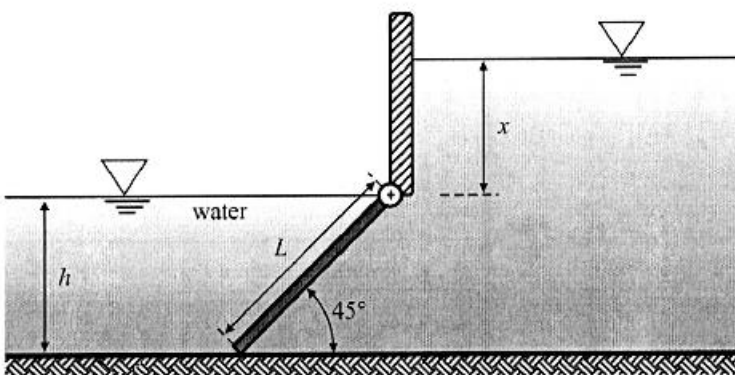
(۱) انرژی کل و انرژی پتانسیل

(۲) انرژی پتانسیل و انرژی کل

(۳) انرژی جنبشی و انرژی پتانسیل

(۴) انرژی پتانسیل و انرژی جنبشی

۶۱- حداقل مقدار x برای اینکه دریچه به ابعاد  $L \times B$  و وزن W باز شود چقدر است؟ ( $\gamma_w =$  وزن مخصوص آب)



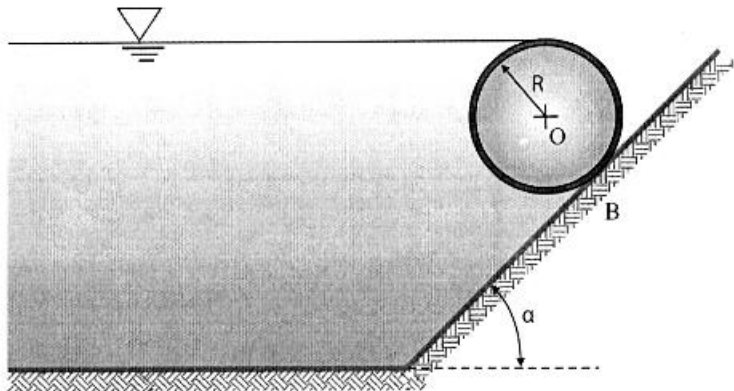
(۱)  $\frac{Wh}{\gamma_w BL^2}$

(۲)  $\frac{Wh^2}{2\gamma_w BL^2}$

(۳)  $\frac{2Wh}{\gamma_w BL^2}$

(۴)  $\frac{3Wh}{\gamma_w BL^2}$

۶۲- یک مانع استوانه‌ای به طول  $L$  و شعاع  $R$  مطابق شکل در آب به وزن مخصوص  $\gamma$  قرار گرفته است. نیروی افقی وارد بر استوانه کدام است؟



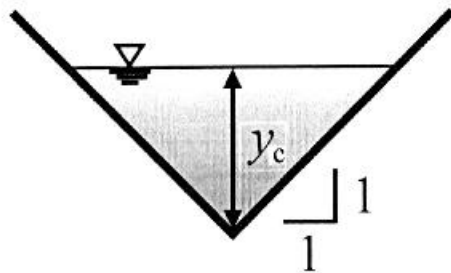
(۱)  $\gamma \frac{R^2}{3} (2 + \cos \alpha)^2 L$

(۲)  $\gamma \frac{R^2}{3} (1 + \cos \alpha)^2 L$

(۳)  $\gamma \frac{R^2}{3} (1 + 2 \cos \alpha)^2 L$

(۴)  $\gamma \frac{R^2}{2} (1 + \cos \alpha)^2 L$

۶۳- در کانال مثلثی با زاویه رأس  $90^\circ$  درجه دبی ( $Q$ ) در عمق بحرانی ( $y_c$ ) جاری است. نسبت  $\frac{Q}{\sqrt{2} g y_c^5}$  در این



کانال چقدر است؟

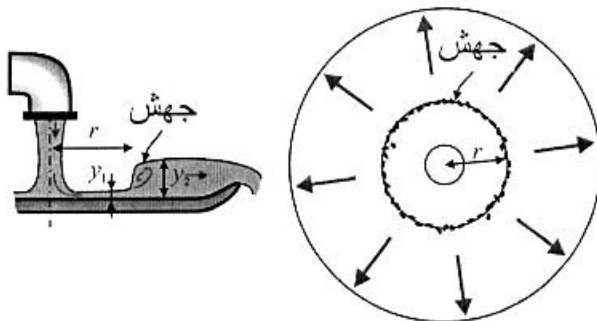
(۱) ۱

(۲) ۰٫۷۵

(۳) ۰٫۵

(۴) ۰٫۲۵

۶۴- جت آبی که از یک شیر آب خارج و به سطح افقی برخورد می‌کند مطابق شکل باعث یک جهش هیدرولیکی می‌شود. اگر عمق اولیه جهش ۰٫۱ سانتی‌متر و در فاصله ۵ سانتی‌متر از مرکز لوله واقع باشد و سرعت متوسط در مقطع اولیه جهش ۰٫۴ متر بر ثانیه باشد، دبی شیر آب چند لیتر بر ثانیه است؟



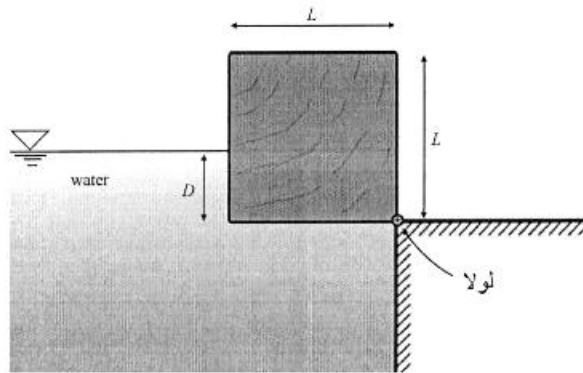
(۱)  $\frac{\pi}{20}$

(۲)  $\frac{\pi}{25}$

(۳)  $\frac{2\pi}{25}$

(۴)  $\frac{3\pi}{25}$

۶۵- تیر چوبی به طول یک، مطابق شکل در حال تعادل است، ثقل ویژه چوب کدام است؟



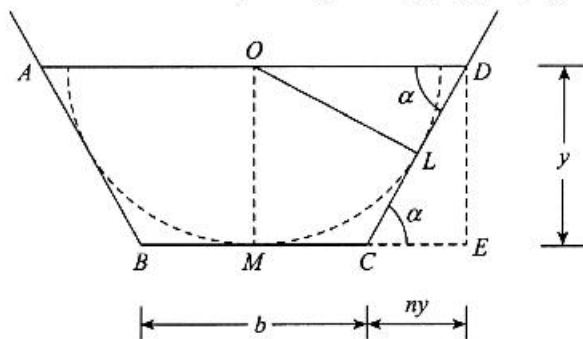
(۱)  $\frac{D}{L} + \frac{1}{3} \left( \frac{D}{L} \right)^2$

(۲)  $\frac{D}{L} + \frac{2}{3} \left( \frac{D}{L} \right)^2$

(۳)  $\frac{2D}{L} + \frac{2}{3} \left( \frac{D}{L} \right)^2$

(۴)  $\frac{2D}{L} + \frac{1}{3} \left( \frac{D}{L} \right)^2$

۶۶- کانال دوزنقه‌ای با بهترین مقطع هیدرولیکی را مطابق شکل در نظر بگیرید، مقدار n کدام است؟



(۱)  $\frac{2\sqrt{3}}{3}$

(۲)  $\frac{\sqrt{3}}{2}$

(۳)  $\sqrt{3}$

(۴)  $\frac{1}{\sqrt{3}}$

۶۷- معادله خط جریان یک سیال به صورت  $x^2 - y^2 = k$  است که k ثابت می باشد، معادله سرعت در این جریان کدام است؟

(۱)  $\vec{V} = x\vec{i} + y\vec{j}$

(۲)  $\vec{V} = y^2\vec{i} + x^2\vec{j}$

(۳)  $\vec{V} = x^2\vec{i} + y^2\vec{j}$

(۴)  $\vec{V} = x\vec{i} + y\vec{j}$

۶۸- جریان فوق بحرانی در یک کانال مستطیلی با عدد فرود ۸ و عمق  $y = 1$  متر رخ می دهد. عمق بحرانی در این کانال چند متر است؟

(۱) ۲

(۲) ۴

(۳) ۶

(۴) ۸

۶۹- در یک سرریز لبه تیز مثلثی اگر  $(+/-2\%)$  خطا در اندازه گیری ارتفاع آب وجود داشته باشد، مقدار خطا در دبی محاسباتی کدام است؟

(۱)  $+2\%$

(۲)  $+3\%$

(۳)  $+2.5\%$

(۴)  $+5\%$

۷۰- کانالی روباز دارای جریانی با سرعت  $V = 0.6$  متر بر ثانیه است. اگر تنش برشی متوسط در این کانال  $t = 1$  پاسکال باشد ضریب شزی (c) معادل کدام است؟  $(\gamma_w = 10000 \frac{N}{m^3})$

(۱) ۶۰

(۲) ۵۰

(۳) ۶

(۴) ۵

رابطه آب و خاک و گیاه:

۷۱- پتانسیل شیمیایی آب کدام است؟

- (۱) پتانسیل آب ضربدر جزء مولی آب
- (۲) پتانسیل آب تقسیم بر جزء مولی آب
- (۳) پتانسیل آب تقسیم بر حجم جزئی مولال آب
- (۴) پتانسیل آب ضربدر حجم جزئی مولال آب

- (۱) پتانسیل آب ضربدر جزء مولی آب
- (۲) پتانسیل آب تقسیم بر حجم جزئی مولال آب
- (۳) پتانسیل آب تقسیم بر مولال آب
- (۴) پتانسیل آب ضربدر حجم جزئی مولال آب

۷۲- شماره منحنی نفوذ SCS خاک برابر دو است. سرعت نفوذ نهایی این خاک چند میلی‌متر بر ساعت است؟

(۱) ۲ (۲) ۵٫۵۸

(۳) ۲۰ (۴) ۵۰٫۸

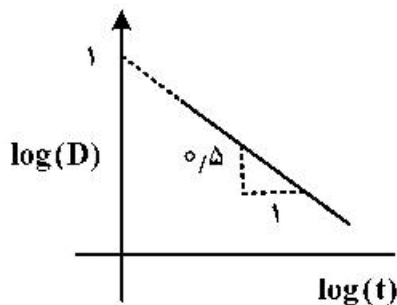
۷۳- گیاهی در یک خاک با درصد ظرفیت زراعی و نقطه پژمردگی دائم به ترتیب ۲۵ و ۱۰ درصد کشت شده است. اگر

ضریب تخلیه مدیریتی گیاه در این خاک ۶۰ درصد باشد، رطوبت خاک در هنگام آبیاری چند درصد است؟

(۱) ۰٫۱۵ (۲) ۰٫۱۶ (۳) ۰٫۱۸ (۴) ۰٫۱۹

۷۴- معادله نفوذ تجمعی خاکی به شکل نمودار زیر است. تا دو ساعت پس از آبیاری چند میلی‌متر آب داخل خاک نفوذ

می‌کند؟ (D بر حسب میلی‌متر و t بر حسب دقیقه است).



(۱) ۱۱

(۲) ۱۴

(۳) ۱۱۰

(۴) ۱۴۰

۷۵- نقطه انجماد محلول آبی برابر با  $۰٫۳ -$  درجه سلسیوس است. غلظت املاح این محلول چند گرم بر لیتر است؟

(۱) ۰٫۶۴

(۲) ۶٫۴

(۳) ۶۴۰

(۴) ۶۴۰۰

۷۶- تانسیومتری به طول یک متر با زاویه  $۳۰$  درجه نسبت به سطح خاک قرار گرفته است. اگر تانسیومتر عدد ۴۰ را

نشان دهد، قدرمطلق پتانسیل ماتریک معادل چند سانتی‌متر ستون آب خواهد بود؟

(۱) ۵۰۰ (۲) ۴۵۰

(۳) ۳۵۰ (۴) ۳۰۰

۷۷- گیاهی در یک خاک با شوری عصاره اشباع ۸ دسمی زمینس بر متر کشت شده است.  $F.C_p$  (شوری قابل تحمل

گیاه) برابر با ۳ دسی‌زمینس بر متر و  $b$  (شیب کاهش عملکرد نسبت به هر واحد شوری) ۸ درصد است. اگر

پتانسیل تولید این گیاه ۸ تن در هکتار باشد، ضریب تنش شوری بر تبخیر و تعرق ( $K_s$ ) در مزرعه چقدر است؟

تابع تولید نسبت به تبخیر و تعرق برای این گیاه برابر است با  $Y = -۸۰۰۰ + ۴۰ ET$  (عملکرد بر حسب

کیلوگرم بر هکتار و  $ET$ : تبخیر و تعرق بر حسب میلی‌متر)

(۱) ۰٫۴

(۲) ۰٫۶

(۳) ۰٫۸

(۴) ۰٫۹

۷۸- افزودن ماده حل‌شدنی به آب خالص سبب افزایش ..... و کاهش ..... می‌شود.

(۱) پتانسیل شیمیایی - نقطه انجماد (۲) پتانسیل شیمیایی - نقطه جوش

(۳) نقطه انجماد - فشار بخار (۴) نقطه جوش - فشار بخار

- ۷۹- نظریه یون پتاسیم در کدام فرایند نقش دارد؟  
 (۱) باز و بسته شدن روزنه‌ها  
 (۲) تنفس  
 (۳) سنتز پروتئین  
 (۴) فتوسنتز
- ۸۰- کارایی مصرف آب در گیاهان سه کربنی ( $C_3$ )، چهار کربنه ( $C_4$ ) و گیاهان کام (CAM) کدام است؟  
 (۱)  $CAM > C_4 > C_3$   
 (۲)  $C_4 > C_3 > CAM$   
 (۳)  $C_4 > C_3 > CAM$   
 (۴)  $C_3 > CAM > C_4$
- ۸۱- رابطه بین تراکم ریشه و جرم مخصوص ظاهری خاک کدام است؟  
 (۱) معکوس و غیرخطی  
 (۲) معکوس و خطی  
 (۳) مستقیم و غیرخطی  
 (۴) مستقیم و خطی
- ۸۲- کدام یک از اجزای پتانسیل آب به ترتیب در عبور آب از دیواره سلولی و غشایی سلولی نقش بیشتری دارند؟  
 (۱) پتانسیل اسمزی - پتانسیل اسمزی  
 (۲) پتانسیل ماتریک - پتانسیل ماتریک  
 (۳) پتانسیل ماتریک - پتانسیل ماتریک  
 (۴) پتانسیل ماتریک - پتانسیل اسمزی
- ۸۳- در شرایط تنش آبی، دمای برگ ..... می‌یابد و تبخیر و تعرق گیاه ..... می‌شود.  
 (۱) افزایش - زیاد  
 (۲) افزایش - کم  
 (۳) کاهش - زیاد  
 (۴) کاهش - کم
- ۸۴- ساختمان غشاء سلولی از کدام مواد ساخته شده است؟  
 (۱) یک لایه فسفولیپید  
 (۲) یک لایه اسید چرب  
 (۳) دو لایه اسید چرب  
 (۴) دو لایه فسفولیپید
- ۸۵- بیشترین مقاومتی که در مسیر تعرق وجود دارد کدام است؟  
 (۱) کوتیکول  
 (۲) روزنه  
 (۳) لایه مرزی هوا  
 (۴) فضای بین سلولی
- ۸۶- کدام مورد درست است؟  
 (۱) درصد رطوبت در ظرفیت زراعی در حالت زهکشی و آبیاری با هم برابرند.  
 (۲) درصد رطوبت در ظرفیت زراعی در حالت زهکشی بیشتر از حالت آبیاری است.  
 (۳) درصد رطوبت در ظرفیت زراعی در حالت آبیاری بیشتر از حالت زهکشی است.  
 (۴) بسته به شرایط، هر سه مورد درست است.
- ۸۷- کدام معادله نفوذ براساس پتانسیل‌های مؤثر بر نفوذ آب در خاک ارائه شده است؟  
 (۱) فیلیپ  
 (۲) کوسیناکوف  
 (۳) کوسیناکوف - لوئیس  
 (۴) گرین - آمپت
- ۸۸- در مورد دستگاه TDR کدام نادرست است؟  
 (۱) سرعت سیگنال‌ها تحت تأثیر هدایت الکتریکی محلول خاک قرار نمی‌گیرد و بنابراین می‌توان در خاک‌های شور از آن برای اندازه‌گیری رطوبت استفاده کرد.  
 (۲) شدت سیگنال‌ها تحت تأثیر هدایت الکتریکی محلول خاک قرار می‌گیرد و بنابراین نمی‌توان از آن در خاک‌های شور برای اندازه‌گیری رطوبت استفاده کرد.  
 (۳) در خاک‌هایی که هنگام خشک شدن خیلی منقبض می‌شوند بهتر است میله‌های دستگاه به صورت مایل در خاک قرار داده شوند.  
 (۴) منحنی واسنجی دستگاه برای تمام خاک‌ها یکسان است.



- ۸۹- حد پایین پلاستیک کدام است؟  
 (۱) حد مجاز رطوبت برای آبیاری است.  
 (۲) حد مجاز رطوبت برای جلوگیری از تنش خشکی است.  
 (۳) حداکثر رطوبت مجاز برای تردد ماشین‌های کشاورزی است.  
 (۴) حداقل رطوبت مجاز برای تردد ماشین‌های کشاورزی است.
- ۹۰- افزایش دمای توده هوا از ۲۰ به ۳۰ درجه سلسیوس رطوبت نسبی را ..... و تعرق را ..... می‌دهد.  
 (۱) افزایش - افزایش (۲) افزایش - کاهش (۳) کاهش - افزایش (۴) کاهش - کاهش

سیستم‌های آبیاری:

- ۹۱- فشار آب در ابتدای لوله فرعی آبیاری بارانی در زمین مسطحی برابر ۳۵ متر است. اگر افت فشار در اثر اصطکاک ۴ متر و ارتفاع پایه آبیاری یک‌متر باشد، متوسط فشار آبیاری چند متر است؟  
 (۱) ۳۰ (۲) ۳۱  
 (۳) ۳۲ (۴) ۳۳
- ۹۲- در سیستم آبیاری قطره‌ای، ضریب تغییرات قطره‌چکان‌های مورد استفاده ۱۴ درصد و حداقل تعداد قطره‌چکان‌هایی که برای هر درخت به کار رفته است ۴ عدد است، ضریب تغییرات سیستم چند درصد است؟  
 (۱) ۲۸ (۲) ۳/۵ (۳) ۵۶ (۴) ۷
- ۹۳- کدام پارامتر تأثیری بر اندازه قطرات آب در سیستم آبیاری بارانی ندارد؟  
 (۱) زاویه خروج آب (۲) شکل روزنه آبیاری (۳) فشار آبیاری (۴) قطر روزنه آبیاری
- ۹۴- در سیستم آبیاری بارانی تفنگی برای حصول هم‌پوشانی بیشتر، با افزایش سرعت باد، زاویه جت خروجی و فاصله بین مسیرهای حرکت چگونه باید انتخاب شوند؟  
 (۱) بیشتر و کاهش (۲) بیشتر و افزایش (۳) کمتر و کاهش (۴) کمتر و افزایش
- ۹۵- تابع تولید محصول جو نسبت به عمق آب آبیاری ( $d$  بر حسب میلی‌متر) برابر با  $y = -0.01d^2 + 6d + 4500$  است ( $y$  برابر مقدار محصول بر حسب کیلوگرم بر هکتار است). حداکثر مقدار محصول چند کیلوگرم بر هکتار است؟  
 (۱) ۴۵۰۰ (۲) ۴۸۰۰ (۳) ۵۴۰۰ (۴) ۶۰۰۰
- ۹۶- اگر عمق آب نفوذ یافته در ابتدا و انتهای کرت به ترتیب ۱۰۰ و ۸۰ میلی‌متر و تلفات نفوذ عمقی ۲۰ درصد باشد، عمق خالص آبیاری چند میلی‌متر است؟  
 (۱) ۶۴ (۲) ۷۲ (۳) ۸۰ (۴) ۹۰

- ۹۷- اگر معادله پیشروی آب در جویچه  $t = \frac{x}{f} e^{\alpha x}$  باشد، سرعت پیشروی آب در هر لحظه برابر کدام است؟

$$v = xt + \alpha t \quad (2)$$

$$v = f e^{\alpha x} \quad (1)$$

$$v = \frac{x}{1 + \alpha x t} \quad (4)$$

$$v = \frac{t}{x} + \alpha t \quad (3)$$

- ۹۸- حجم آب ورودی به مزرعه که توسط فلوم اندازه‌گیری شده برابر ۱۰۰۰ مترمکعب، حجم آب مورد نیاز گیاه ۷۰۰ مترمکعب و حجم رواناب خروجی از مزرعه ۵۰ مترمکعب است. مقادیر بازده کاربرد آب و نفوذ عمقی به ترتیب چند درصد است؟
- (۱) ۷۰ و ۵  
(۲) ۸۰ و ۵  
(۳) ۵۰ و ۲۵  
(۴) ۷۰ و ۲۵
- ۹۹- اگر جویچه انتها باز با معادله عمق نفوذ  $z = k\sqrt{t}$  ( $z$ : عمق نفوذ تجمعی،  $k$ : ضریب معادله نفوذ و  $t$ : زمان نفوذ) باشد، در صورتی که زمان پیشروی آب در جویچه ۴۴ درصد زمان نفوذ خالص آب باشد. ابتدای جویچه نسبت به انتهای آن چند درصد آب بیشتر نفوذ می‌کند؟
- (۱) ۱۱  
(۲) ۲۰  
(۳) ۲۲  
(۴) ۴۴
- ۱۰۰- نوار آبیاری انتها باز به طول ۱۰۰ متر و عرض ۸ متر به مدت ۲ ساعت با دبی ۱۰ لیتر بر ثانیه آبیاری شده است. اگر عمق آب نفوذ یافته در ابتدا و انتهای نوار به ترتیب ۷ و ۵ سانتی‌متر باشد، تلفات رواناب از انتهای نوار چند درصد است؟
- (۱) ۵۰  
(۲) ۴۴٫۴  
(۳) ۳۳٫۳  
(۴) ۳۰
- ۱۰۱- اگر دبی در واحد عرض (یک‌متر) یک کرت ۴۰ لیتر بر دقیقه، طول کرت ۵۰ متر، راندمان آبیاری ۷۵ درصد و عمق خالص آبیاری ۱۰۰ میلی‌متر باشد، جریان ورودی بعد از چند دقیقه باید قطع شود؟
- (۱) ۱۶۷  
(۲) ۱۵۰  
(۳) ۱۳۳  
(۴) ۱۲۵
- ۱۰۲- تغییرات دبی ورودی در آبیاری کابلی نسبت به زمان چگونه است؟
- (۱) ابتدا کاهش سپس افزایش  
(۲) ابتدا افزایش سپس کاهش  
(۳) افزایش  
(۴) کاهش
- ۱۰۳- مقادیر دبی اولیه و ثانویه در رژیم جریان کاهشی در آبیاری جویچه‌ای به ترتیب ۲ و ۱ لیتر بر ثانیه است. اگر زمان‌های پیشروی و قطع جریان به ترتیب ۱۰۰ و ۳۰۰ دقیقه باشد و نیاز خالص گیاه در مزرعه ۱۸ مترمکعب باشد، راندمان آبیاری چند درصد است؟
- (۱) ۷۵  
(۲) ۶۰  
(۳) ۵۰  
(۴) ۴۵
- ۱۰۴- کدام پارامتر را نمی‌توان از هیدروگراف جریان ورودی - خروجی در روش آبیاری جویچه‌ای استخراج کرد؟
- (۱) زمان پیشروی  
(۲) زمان پسروی  
(۳) ضریب نفوذپذیری نهایی  
(۴) یکنواختی توزیع

۱۰۵- در ارزیابی یک سیستم آبیاری قطره‌ای، مقادیر حداقل و حداکثر دبی قطره‌چکان به ترتیب  $3/6$  و  $4$  لیتر بر ساعت به دست آمد. تغییرات دبی چند درصد است؟

- (۱)  $10/5$  (۲) ۱۰  
(۳)  $9/5$  (۴) ۹

۱۰۶- در زراعت‌های ردیفی، مساحت خیس شده در آبیاری قطره‌ای سطحی و زیرسطحی تقریباً برابر چند درصد از سطح زمین است؟

- (۱) ۱۰۰ (۲) ۶۷ (۳) بین ۳۳ تا ۶۷ (۴) ۳۳

۱۰۷- بالاترین حد میزان پخش آب در آبیاری بارانی به کدام مورد بستگی دارد؟

- (۱) بافت خاک و شیب زمین (۲) بافت خاک و سرعت باد غالب  
(۳) بافت خاک و شرایط آب‌وهوایی (۴) رطوبت خاک و شرایط آب‌وهوایی

۱۰۸- در یک خاک لوم شنی، عمق خاک زراعی ۷۵ سانتی‌متر و جرم مخصوص ظاهری  $1/5$  گرم بر سانتی‌متر مکعب است. میزان آب قابل دسترس بر حسب میلی‌متر پس از آبیاری در این عمق از خاک کدام است؟ (رطوبت حجمی نقطه ظرفیت زراعی و پژمردگی دائم به ترتیب ۲۱ و ۹ درصد و حداکثر تخلیه مجاز رطوبتی ۵۰ درصد است)

- (۱) ۴۵ (۲) ۹۰  
(۳) ۱۳۵ (۴) ۲۴۰

۱۰۹- اگر مقدار تبخیر - تعرق ذرت ۵۰ میلی‌متر، نیاز آبیاری ۱۰ میلی‌متر، دبی سیستم آبیاری ۲۵۰۰ لیتر بر دقیقه و زمان آبیاری ۵ ساعت باشد، چند درصد از آب آبیاری بدون استفاده مفید خواهد بود؟ (مساحت مزرعه یک هکتار است)

- (۱) ۳۳ (۲) ۲۵  
(۳) ۲۰ (۴) ۱۵

۱۱۰- مقادیر راندمان‌های انتقال، توزیع، کاربرد، ذخیره و یکنواختی توزیع در یک شبکه آبیاری به ترتیب ۹۰، ۸۰، ۵۰، ۹۰، ۸۵ درصد است. راندمان کل آبیاری چند درصد است؟

- (۱) ۲۸ (۲) ۳۲  
(۳) ۳۶ (۴) ۶۵

### مهندسی زهکشی:

۱۱۱- در سیستم زهکشی عمودی که شعاع تأثیر چاه‌ها ۴۰۰ متر است، فاصله چاه‌ها در الگو مثلثی و مربعی به ترتیب چند متر است؟

- (۱)  $380, 520$  (۲)  $800, 680$   
(۳)  $800, 520$  (۴)  $900, 680$

۱۱۲- در معادله هوخهات برای محاسبه فاصله زهکش‌ها لوله‌ای از کدام افت جریان صرف نظر می‌شود؟

- (۱) افقی (۲) شعاعی (۳) عمودی (۴) عمودی و شعاعی

۱۱۳- در کدام شرایط نیاز به پوشش زهکشی در خاک‌های مناطق خشک الزامی است؟

- (۱) اگر گرادیان خروجی از گرادیان شکست هیدرولیکی بیشتر باشد.
- (۲) اگر گرادیان خروجی از گرادیان شکست هیدرولیکی کمتر باشد.
- (۳) اگر گرادیان خروجی از گرادیان شکست هیدرولیکی برابر باشد.
- (۴) همواره لازم است.

۱۱۴- برای تعیین پوشش مناسب گراولی در اطراف لوله‌های زهکشی حد پایین و حد بالا به ترتیب برای لحاظ کردن چه معیارهایی از طراحی پوشش است؟

- (۱) حد پایین معیار فیلتری و حد بالا معیار مقاومت مکانیکی است.
- (۲) حد پایین معیار نفوذپذیری و حد بالا معیار فیلتری است.
- (۳) حد پایین معیار مقاومت مکانیکی و حد بالا معیار فیلتری است.
- (۴) حد پایین معیار فیلتری و حد بالا معیار نفوذپذیری است.

۱۱۵- برای تعیین فاصله زهکش‌ها اطلاعات زیر در دسترس است، هدایت هیدرولیکی عمودی برابر  $0.1$  متر بر روز و ضریب انتقال جریان افقی  $10$  مترمربع بر روز برآورده شده است. اگر بارآبی روی تراز زهکشی برابر با  $1$  متر و افت در مسیر جریان افقی و شعاعی با هم برابر و  $4/5$  برابر افت در مسیر جریان عمودی باشد، فاصله زهکش‌ها چند متر است؟

$$h = \frac{qD_v}{k_v} + \frac{qL^2}{\lambda(KD)_h} + \frac{qL}{nk_r} \ln \frac{aD_r}{u}$$

(۱) ۳۰

(۲) ۶۰

(۳) ۹۰

(۴) ۱۰۰

۱۱۶- نقطه ضعف و قوت سیستم ساده یا منفرد زهکشی به ترتیب کدام است؟

- (۱) آب‌های سطحی و انسداد
- (۲) انسداد و هزینه
- (۳) گرادیان هیدرولیکی و خروجی
- (۴) محل اتصال لترال به کلکتور و انسداد

۱۱۷- در مزرعه‌ای محصولی با نیاز آبتوی  $20$  درصد و آستانه تحمل به شوری  $5$  دسی‌زیمنس بر متر کشت می‌شود. اگر در همین مزرعه محصولی با آستانه تحمل  $7$  دسی‌زیمنس بر متر و  $12/5$  درصد نیاز آبی خالص کمتر کشت شود، با فرض ثابت ماندن حجم حبابه، سطح زیر کشت تا چند درصد می‌تواند افزایش یابد؟

- |        |        |        |        |
|--------|--------|--------|--------|
| (۱) ۶۷ | (۲) ۲۷ | (۳) ۲۵ | (۴) ۱۵ |
|--------|--------|--------|--------|

۱۱۸- دبی حاصله از شبکه زهکشی لانه موشی معمولاً به سرعت به نقطه اوج ..... تا ..... میلی‌متر در روز می‌رسد.

(۱) ۱۰-۳۰

(۲) ۲۰-۳۰

(۳) ۲۰-۴۰

(۴) ۵۰-۶۰

۱۱۹- در معادله گلور - دام در کدام شرایط می‌توان از جمله دوم به بعد سری صرف‌نظر کرد؟

(۱)  $\alpha > 2$ (۲)  $\alpha < 2$ (۳)  $\alpha t > 0.2$ (۴)  $\alpha t < 0.2$

- ۱۲۰- در نگرش هوشیاهات - دونان، عمق معدل .....  
 (۱) به نسبت ناهمروندی خاک بستگی دارد.  
 (۲) برای حذف مقاومت جریان شعاعی در اطراف زهکش‌ها است.  
 (۳) برای در نظر گرفتن همگرایی خطوط جریان در اطراف زهکش است.  
 (۴) برای شرایطی که مقاومت جریان شعاعی در اطراف زهکش‌ها ناچیز است منظور می‌شود.
- ۱۲۱- در منطقه‌ای سهم جریان ورودی از بالای تراز زهکش‌ها و زیر تراز زهکش‌ها با هم برابر است. در صورتی که هدایت هیدرولیکی ۱ متر بر روز، ضریب زهکشی ۱۰ میلی‌متر بر روز و عمق معادل ۰/۵ متر باشد فاصله زهکش‌ها چند متر است؟  
 (۱) ۱۱/۱۸  
 (۲) ۲۸/۲۸  
 (۳) ۳۵/۳۵  
 (۴) ۸۹/۴۴
- ۱۲۲- کشف گیاهان پرمصرف در مجاورت محدوده‌های زراعی معرف کدام روش زهکشی است؟  
 (۱) خشک (۲) زیستی (۳) طبیعی (۴) کنترل شده
- ۱۲۳- فرمول Rational برای محاسبه دبی زهکشی‌های سطحی در حوضه‌های کوچک تر از چند هکتار قابل کاربرد است؟  
 (۱) ۲۰۰۰ (۲) ۱۰۰۰ (۳) ۵۰۰ (۴) ۲۰۰
- ۱۲۴- رابطه زیر برای کدام منظور استفاده می‌شود؟  

$$\frac{D_{iw}}{D_s} = \frac{EC_i}{\Delta EC_f} + 0.15$$
- (۱) آبشویی فصلی اراضی تحت کشت  
 (۲) آبشویی با حداقل زه‌آب تولیدی  
 (۳) تعیین آبشویی اولیه خاک‌های غیرقابل کشت  
 (۴) در شرایط آبشویی برای رطوبت خاک در حد ظرفیت زراعی محاسبه شده باشد.
- ۱۲۵- کدام مورد در خصوص LF و LR درست است؟  
 (۱) از یک مفهوم برخوردارند.  
 (۲) LF دارای بُعد و LR بدون بُعد است.  
 (۳) LF بدون بُعد و LR دارای بُعد است.  
 (۴) رابطه‌ای با هم ندارند و نمی‌توان یکی را به دیگری تبدیل کرد.
- ۱۲۶- کدام یک از موارد پیش‌نیاز زهکشی کنترل شده است؟  
 (۱) امکان کشت گیاهان مختلف (۲) اراضی دارای حداقل شیب ۷ درصد  
 (۳) امکان آبیاری با شیوه‌های مختلف (۴) عدم کشت هم‌زمان گیاهان مختلف
- ۱۲۷- در کدام روش اندازه‌گیری هدایت هیدرولیکی، هدایت هیدرولیکی بر آورده شده ترکیبی از هدایت افقی و عمودی است؟  
 (۱) پیزومتر (۲) پرماترگلف (۳) چاهک (۴) زه آب خروجی
- ۱۲۸- در ارزیابی یک سیستم زهکشی معادله  $q = 0.003h^2 + 0.015h$  ارائه شده است، عمق معادل چند متر است؟  
 (۱) ۲/۵ (۲) ۲ (۳) ۱/۵ (۴) ۱

۱۲۹- با بارش بارندگی در یک خاک با عمق خاک ۷۰ سانتی‌متر و رطوبت اولیه ۲۵ درصد و درصد ظرفیت زراعی ۲۷ درصد به میزان ۲۰ میلی‌متر، سطح ایستایی ۱۸ سانتی‌متر صعود کرده است. هدایت هیدرولیکی این خاک چند متر بر روز برآورد می‌شود؟

- (۱) ۰/۱۱ (۲) ۰/۳۳ (۳) ۱۱ (۴) ۳۳

۱۳۰- رابطه نوسانات سطح ایستایی در یک سیستم زهکشی به صورت  $L_{II}(h_t) = 0.4 - 0.03t$  ارائه شده است. اگر هدایت هیدرولیکی خاک ۱ متر بر روز و عمق معادل ۱/۵ متر بر روز باشد، فاصله زهکشی‌ها چند متر است؟

- (۱) ۷ (۲) ۵۰ (۳) ۷۰ (۴) ۱۰۰

### هیدرولوژی:

۱۳۱- کدام ویژگی آماری در سری زمانی دبی یک رودخانه ناشی از اثرات دخالت‌های انسانی و توسعه‌ای است؟

- (۱) تغییرات تناوبی (۲) تغییرات تصادفی (۳) وجود پرش (۴) وجود روند

۱۳۲- مقدار کل بارندگی روی یک حوضه ۲۰ میلی‌متر و ضریب رواناب آن ۰/۴ است. نمایه  $W$  در این حوضه چند میلی‌متر است؟

- (۱) ۴ (۲) ۵ (۳) ۸ (۴) ۱۲

۱۳۳- اگر شماره منحنی برای منطقه‌ای با گروه هیدرولوژیکی A با پوشش جنگلی متوسط ۳۶ باشد، کدام عدد برای شماره منحنی برای همان گروه هیدرولوژیکی ولی برای پوشش جنگلی خوب مناسب‌تر است؟

- (۱) ۲۵ (۲) ۳۲ (۳) ۴۶ (۴) ۷۲

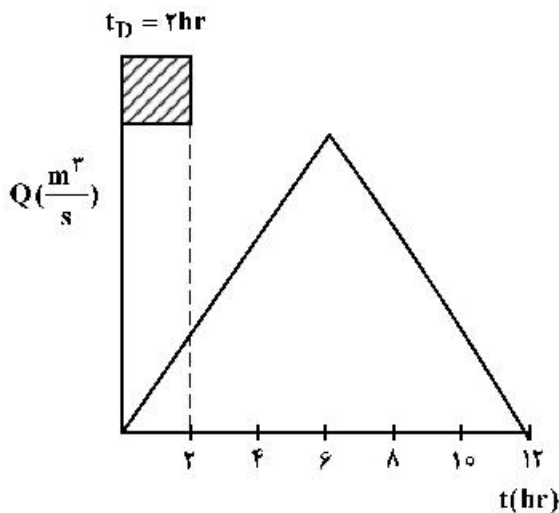
۱۳۴- در حوضه آبریزی که مساحت آن ۴۰۰ کیلومتر مربع است، حداکثر ارتفاع حوضه ۲۸۰۰ و حداقل ارتفاع آن ۶۰۰ متر از سطح دریا است. متوسط شیب زمین‌های این حوضه چند درصد تخمین زده می‌شود؟

- (۱) ۱۱ (۲) ۲۲ (۳) ۲۸ (۴) ۶۰

۱۳۵- اگر طول یک حوضه آبریز در امتداد طول‌ترین آبراهه اصلی آن ۱۰ کیلومتر و مساحت حوضه ۲۰ کیلومتر مربع باشد، عامل شکل (Shape factor) و عامل فرم (Form factor) این حوضه به ترتیب چقدر است؟

- (۱) ۵ و ۰/۲ (۲) ۵ و ۲ (۳) ۰/۲ و ۵ (۴) ۲ و ۵

۱۳۶- با استفاده از هیدروگراف واحد ۲ ساعته زیر، میزان زمان تأخیر حوضه چند ساعت برآورد می‌شود؟



۲ (۱)

۴ (۲)

۵ (۳)

۶ (۴)

۱۳۷- کدام مورد درباره توزیع احتمالاتی پیواسون نادرست است؟

(۱) این توزیع برای داده‌های گسسته مناسب است.

(۲) این توزیع حالت خاصی از توزیع دو جمله‌ای است.

(۳) این توزیع برای داده‌های گسسته و پیوسته مناسب است.

(۴) این توزیع برای هر دو مطالعات خشکسالی و سیلاب قابل استفاده است.

۱۳۸- در روش استدلالی، ضریب رواناب حوضه (C) به کدام عامل وابستگی کمتری دارد؟

(۱) دوره بازگشت سیل

(۲) زمان تمرکز حوضه

(۳) شیب حوضه

(۴) کاربری اراضی حوضه

۱۳۹- در مجموعه‌ای از داده‌های هیدرولوژیکی، میانگین و انحراف از معیار داده‌ها به ترتیب ۱۰۰ و ۲۰ است. کدام

داده‌ها را باید به عنوان داده‌های پرت از مجموعه داده‌ها حذف کرد؟

(۱) بزرگ‌تر از ۱۵۰ و کوچک‌تر از ۵۰

(۲) بزرگ‌تر از ۱۲۵ و کوچک‌تر از ۷۵

(۳) بزرگ‌تر از ۲۰۰ و کوچک‌تر از ۵۰

(۴) هیچ داده‌ای نباید حذف شود.

۱۴۰- بارش پنج روزه‌ای در یک حوضه با ارتفاع ۳، ۶، ۹، ۵، ۱ سانتی‌متر رخ داده است. اگر ارتفاع رواناب مستقیم بارش

۱۱ سانتی‌متر باشد، شاخص فی (Φ) حوضه چند سانتی‌متر بر روز است؟

۱ (۱)

۲/۶ (۲)

۳ (۳)

۶ (۴)

۱۴۱- یک آبگذر برای انتقال جریان ۱۰ ساله طراحی شده است. اگر عمر مفید این سازه ۲۵ سال باشد، احتمال این‌که

شاهد عبور جریان از روی آبگذر در سال آینده نباشیم چند درصد است؟

۱۰ (۲)

۴ (۱)

۹۶ (۴)

۹۰ (۳)

۱۴۲- برای محاسبه تبخیر از سطح آزاد آب توسط روش‌های تجربی براساس فشار بخار اشباع ( $e_s$ ) فشار واقعی بخار

آب در هوا ( $e_a$ )، معمولاً کدام کاربرد دارد؟

(۱)  $e_s \cdot e_a$

(۲)  $e_s / e_a$

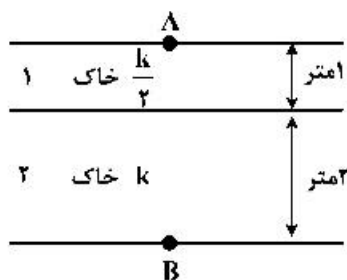
(۳)  $e_s + e_a$

(۴)  $e_s - e_a$

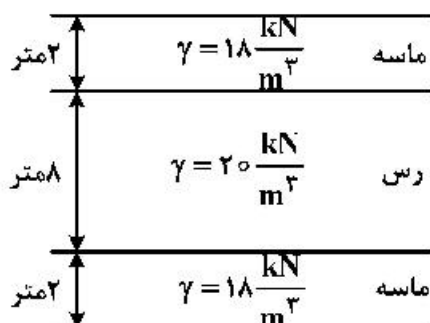
- ۱۴۳- روش شماره منحنی برای محاسبه ارتفاع رواناب معمولاً برای کدام نوع بارندگی‌هایی مناسب‌تر است؟  
 (۱) سالانه (۲) فصلی (۳) ماهانه (۴) مجزا
- ۱۴۴- در کاغذهای احتمالاتی گامبل، برای تحلیل حداکثر دبی اوج نسبت به ..... رسم می‌شوند.  
 (۱) بارندگی (۲) دوره بازگشت (۳) رواناب (۴) زمان اوج
- ۱۴۵- در منطقه‌ای ضریب رواناب برابر ۰/۴ است. برای بارشی که به مدت ۲ ساعت با شدت ۱۰ میلی‌متر بر ساعت باریده است، ارتفاع رواناب مازاد چند میلی‌متر است؟  
 (۱) ۲ (۲) ۴ (۳) ۸ (۴) ۱۰
- ۱۴۶- در کدام روش خطوط ایزوکرون استفاده می‌شود؟  
 (۱) آلتی‌متری (۲) زمان - مساحت (۳) هم‌باران (۴) هم‌فشار
- ۱۴۷- کدام روش از دسته مدل‌های بارش - رواناب نیست؟  
 (۱) استدلالی (۲) تحلیل فراوانی سیل (۳) شماره منحنی (۴) هیدروگراف واحد
- ۱۴۸- کدام مشخصه بارندگی در دسته منحنی‌های DAD به کار نمی‌رود؟  
 (۱) ارتفاع بارش (۲) شدت بارش (۳) سطح بارش (۴) دوره بازگشت
- ۱۴۹- منحنی سنجه جریان رودخانه ارتباط بین کدام دو پارامتر است؟  
 (۱) زمان - عمق جریان (۲) زمان - دبی جریان  
 (۳) عمق - مساحت جریان (۴) عمق - دبی جریان
- ۱۵۰- در برآورد دبی رودخانه از روش ضریب انتقال، کدام پارامتر در محاسبه این ضریب مؤثر نیست؟  
 (۱) شیب رودخانه (۲) شعاع هیدرولیکی (۳) سطح مقطع (۴) ضریب زبری

مکانیک خاک:

- ۱۵۱- اختلاف فشار پیزومتریک بین نقاط A و B در شکل زیر برابر ۰/۵ است. سرعت جریان بین این دو نقطه کدام است؟ (k نفوذپذیری است)  
 (۱) ۰/۵k (۲) ۰/۱۲۵k (۳) ۰/۱۰۵k (۴) ۱/۷۵k



- ۱۵۲- در شکل زیر مقدار e اولیه برای خاک رسی برابر ۰/۶ است. پس از بارگذاری مقدار آن بعد از ۵ سال به ۰/۴ می‌رسد، مقدار نشست کل در این مدت زمان چند سانتی‌متر است؟  
 (۱) ۵۰ (۲) ۱۰۰ (۳) ۱۵۰ (۴) ۲۰۰





۱۵۳- نوعی خاک رس عادی تحکیم یافته دارای حد روانی  $40^\circ$  درصد است. ضریب فشارپذیری ( $a_v$ ) در اثر افزایش تنش مؤثر از  $100$  به  $1000$  کیلوپاسکال چقدر است؟ (با فرض آن که  $(C_c = 0.09(LL - 10))$ )

(۱)  $0.003$

(۲)  $0.0054$

(۳)  $0.27$

(۴)  $2.7$

۱۵۴- در آزمایش تحکیم نمونه‌ای به ضخامت  $20$  سانتی‌متر  $50^\circ$  درصد نشست آن در  $40$  دقیقه رخ می‌دهد. تحت این شرایط خاکی به ضخامت  $4$  متر که از دو طرف زهکشی می‌شود  $50^\circ$  درصد نشست در کدام زمان (برحسب دقیقه) روی می‌دهد؟

(۱)  $22000$

(۲)  $20000$

(۳)  $16000$

(۴)  $15000$

۱۵۵- در انتهای آزمایش تحکیم، رطوبت نهایی نمونه  $w = 10$  درصد و تغییر ضخامت نسبی آن  $\varepsilon = 0.05$  اندازه‌گیری شده است. اگر  $G_s = 2.5$  فرض شود، پوکی اولیه آن چقدر است؟

(۱)  $0.185$

(۲)  $0.315$

(۳)  $0.405$

(۴)  $0.645$

۱۵۶- معادله پوش گسیختگی برای یک نمونه خاک رسی  $\tau = \sigma' \tan 30^\circ$  است. در آزمایش سه محوری CU بر روی نمونه‌ای از آن تحت  $\sigma_3 = 200$  کیلوپاسکال گسیختگی در  $\sigma_1 - \sigma_3 = 300$  کیلوپاسکال رخ می‌دهد، فشار حفره‌ای در هنگام گسیختگی چند کیلوپاسکال است؟ ( $\sin 30^\circ = 0.5$ ,  $\cos 30^\circ = 0.87$ ,  $\tan 30^\circ = 0.58$ )

(۱)  $150$

(۲)  $100$

(۳)  $50$

(۴)  $25$

۱۵۷- معادله پوش گسیختگی برای ماسه لای‌دار از آزمایش برش مستقیم به صورت:  $\tau_f = \sigma' \tan 30^\circ$  است، اگر یک آزمایش سه محوری زهکشی شده روی همین ماسه انجام گیرد و تنش همه جانبه  $150$  کیلوپاسکال باشد، تنش انحرافی  $(\sigma_1 - \sigma_3)$  چند کیلوپاسکال است؟

$$\tan 30^\circ = \frac{\sqrt{3}}{3} \quad \tan 45^\circ = 1 \quad \tan 60^\circ = \sqrt{3}$$

(۱)  $100$

(۲)  $150$

(۳)  $500$

(۴)  $300$

۱۵۸- یک نمونه رس عادی تحکیم (NC) در آزمایش سه محوری CD تحت فشار جانبی  $15^\circ$  کیلوپاسکال و تفاوت تنش  $300$  کیلوپاسکال به گسیختگی می‌رسد. اگر نمونه‌ای از این خاک در آزمایش دیگری تحت فشار جانبی  $25^\circ$  کیلوپاسکال قرار گیرد، به ترتیب تنش انحرافی در لحظه گسیختگی (بر حسب کیلوپاسکال)  $(\sigma_1 - \sigma_3)$  و زاویه تقریبی سطح گسیختگی با افق چند درجه است؟

$$\tan 60^\circ = \sqrt{3}, \tan 45^\circ = 1, \tan 30^\circ = \frac{\sqrt{3}}{3}, \sin 60^\circ = \frac{\sqrt{3}}{2}, \sin 45^\circ = \frac{\sqrt{2}}{2}$$

(۱)  $50^\circ$  و  $75^\circ$ (۲)  $45^\circ$  و  $60^\circ$ (۳)  $50^\circ$  و  $60^\circ$ (۴)  $75^\circ$  و  $45^\circ$ 

۱۵۹- نمونه‌ای از خاک ماسه‌ای که دارای زاویه اصطکاکی داخلی  $(\phi)$  برابر  $45^\circ$  درجه است تحت تنش عمودی  $300$  کیلوپاسکال قرار دارد. تنش برشی در لحظه گسیختگی  $\tau$  چند کیلوپاسکال است؟

$$\sin 45^\circ = 0.71$$

$$\cos 45^\circ = 0.71$$

$$\tan 45^\circ = 1$$

(۱)  $200$ (۲)  $250$ (۳)  $300$ (۴)  $250$ 

۱۶۰- در یک آزمایش سه محوری در نمونه‌ای از ماسه که تحت  $\sigma_3 = 100$  کیلوپاسکال قرار دارد با اعمال بار محوری به گسیختگی می‌رسد و زاویه صفحه گسیختگی با افق  $60^\circ$  درجه است. تنش قائم چند کیلو پاسکال است؟

$$\sin 30^\circ = 0.5, \cos 30^\circ = 0.87, \tan 30^\circ = 0.58$$

$$\sin 12^\circ = 0.87, \cos 12^\circ = -0.5, \tan 12^\circ = -1.73$$

(۱)  $200$ (۲)  $150$ (۳)  $100$ (۴)  $50$ 

۱۶۱- اگر در خاک یکنواختی مانده روی الک  $4$  برابر با  $20$  درصد و عبوری از الک  $200$  برابر با  $4$  درصد باشد، طبق طبقه‌بندی متحد (USCS) آن خاک کدام است؟

(۱) CH

(۲) GW

(۳) SC

(۴) SP

۱۶۲- به  $4$  کیلوگرم از خاک که مطابق طبقه‌بندی متحد SP نامگذاری شده است،  $2$  کیلوگرم خاک ریزدانه (کوچک‌تر از  $0.75$  میلی‌متر) اضافه می‌کنیم، خاک حاصل در طبقه‌بندی کدام است؟

(۴) SP-SM

(۳) ML-CL

(۲) ML

(۱) SM

۱۶۳- در آزمایش دانه‌بندی یک خاک درصد عبوری از الک‌های نمره ۲۰۰ و ۴ به ترتیب برابر ۸ و ۵۸ درصد است و  $C_u = ۲۳/۵$  و  $C_g = ۱/۰۸$  و  $LL = ۵۵\%$  (حد روانی) و  $PL = ۳۵\%$  (حد خمیری) خاک مذکور دارای کدام

طبقه‌بندی است؟

(۱) SW - SM

(۲) SW - SC

(۳) SP - SM

(۴) SP - SC

۱۶۴ در خاکی حجم هوای موجود در آن برابر حجم آب است و حجم آب آن نصف حجم ذرات جامد است، نسبت تخلخل (e) این خاک چقدر است؟

(۱) ۰/۲۵

(۲) ۰/۵

(۳) ۱

(۴) ۲

۱۶۵ جرم مخصوص خشک خاکی ۲  $\frac{Mg}{m^3}$  و جرم مخصوص ذرات جامد  $(G_s) ۲/۷$  است. میزان رطوبت در حالت اشباع برای این خاک چند درصد است؟

(۱) ۱۳

(۲) ۱۹

(۳) ۲۰

(۴) ۳۵

۱۶۶- حجم یک نمونه خاک رس اشباع شده ۴۲۰ سانتی‌متر مکعب است. وزن خشک آن برابر ۵۵۰ گرم و

$G_s = ۲/۷۵$  است. مقدار n (تخلخل) چند درصد است؟  $(\gamma_w = ۱ \frac{gf}{cm^3})$

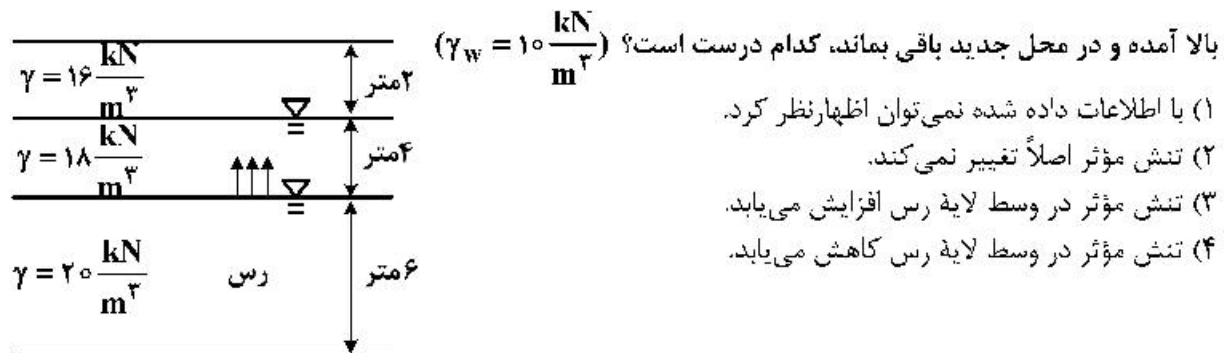
(۱) ۴۵

(۲) ۵۲

(۳) ۵۸

(۴) ۶۲

۱۶۷ یک لایه رس اشباع به ضخامت ۶ متر در زیر یک لایه ماسه‌ای قرار دارد. اگر سطوح آب زیرزمینی به اندازه ۴ متر



۱۶۸- در یک آزمایش تراکم با افزایش میزان رطوبت تراکم در یک وزن مخصوص ثابت، نفوذپذیری خاک نسبت به طرف خشک چه تغییری می‌کند؟

(۱) کمتر می‌شود. (۲) بیشتر می‌شود. (۳) تغییر نمی‌کند. (۴) نمی‌توان اظهار نظر کرد.

۱۶۹- مخزنی به قطر ۲ متر فشاری معادل ۱ کیلوگرم بر سانتی‌متر مربع بر سطح زمینی که ظرفیت باربری آن ۵/۰ کیلوگرم بر سانتی‌متر مربع است وارد می‌کند. با استفاده از روش تقریبی تنش‌ها، ضخامت خاکریزی که لازم است فشار مخزن را از مقدار موجود به حد تحمل خاک تقلیل دهد، چند سانتی‌متر است؟ (از وزن خاک صرف‌نظر کنید)

$$\sqrt{2} = 1,4$$

$$\sqrt{3} = 1,7$$

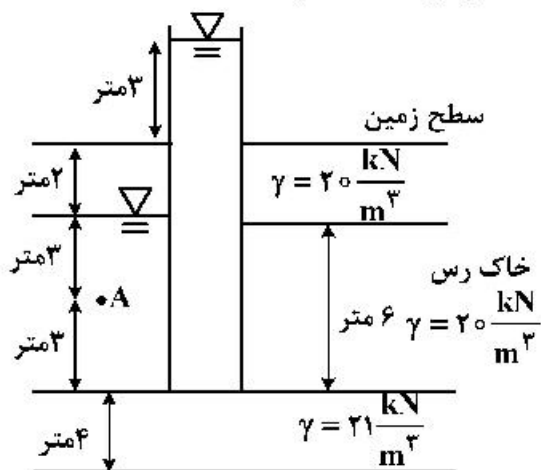
۸۰ (۴)

۴۰ (۳)

۱۰۰ (۲)

۱۵۰ (۱)

۱۷۰- در شکل زیر تنش مؤثر در نقطه A معادل چند کیلوپاسکال است؟  $(\gamma_w = 10 \frac{kN}{m^3})$



۱۲۰ (۱)

۱۰۰ (۲)

۷۰ (۳)

۴۵ (۴)

### ساختمان‌های انتقال و توزیع آب:

۱۷۱- حداکثر اختلاف بار هیدرولیکی در دو طرف دهانه آبیگری ۱ متر است. اگر از سازه کنترل سطح آب پایین دست استفاده شود کدام سازه مناسب‌تر است؟

(۲) دریچه آمیل

(۱) دریچه آویو

(۴) دریچه آویو یا آویسی هر کدام ارزاتر باشد.

(۳) دریچه قطاعی

۱۷۲- کمترین ضریب افت‌بار در تبدیل نوع یک در ورودی و خروجی مربوط به کدام است و تعداد آن به ترتیب از سمت راست به چپ در ورودی و خروجی کدام است؟

(۱) تبدیل مقطع مستطیل به دایره - ۰/۲۵ و ۰/۵

(۲) تبدیل مقطع دوزنقه‌ای به مستطیل - ۰/۳ و ۰/۵

(۳) تبدیل مقطع دوزنقه‌ای به مستطیل - ۰/۲۵ و ۰/۵

(۴) تبدیل مقطع دوزنقه‌ای به دایره - ۰/۳ و ۰/۵

۱۷۳- در سد زیر، از سه دیواره آب‌بند به ارتفاع یکسان x متر به منظور افزایش طول خزش استفاده شده است. اگر عمق آب در بالا دست ۲۰ متر و در پایین است ۵ متر باشد و نیز اگر ضریب بلای (Blight) برای مصالح بستر برابر ۱۰ در نظر گرفته شود، حداقل مقدار x به منظور جلوگیری از پدیده آب‌شکستگی چند متر است؟

۳۲ (۱)

۲۱ (۲)

۲۰ (۳)

۱۳/۳ (۴)

۱۷۴- کدام مورد به منظور جلوگیری از تشکیل منحنی  $M_p$  در بالادست یک شیب شکن مایل مستطیلی مورد استفاده قرار می‌گیرد؟

- (۱) سرریز ثابت نوکاردکی  
(۲) شکاف کنترل  
(۳) دریچه آویس  
(۴) دریچه آمیل

۱۷۵- حساسیت دبی عبوری نسبت به تغییرات سطح آب در کانال تغذیه کننده، در دریچه‌های مدول نیرپیک یک نقابه در مقایسه با دو نقابه ..... است.

- (۱) بیشتر  
(۲) کمتر  
(۳) یکسان

(۴) در صورت کارکرد با ارتفاع اسمی تفاوتی نمی‌کند در غیراین صورت متفاوت است.

۱۷۶- در تحلیل پایداری سدهای وزنی، اگر عمق رسوب در پشت سد برابر  $h_s$  و وزن مخصوص رسوب مستغرق  $1/5$  تن بر مترمکعب و زاویه اصطکاک داخلی رسوب  $30^\circ$  درجه باشد، مقدار نیروی وارده از طرف رسوب برسد در واحد عرض برابر با کدام است؟

- (۱)  $0.25h_s^2$  (۲)  $0.5h_s^2$  (۳)  $0.75h_s^2$  (۴)  $1.5h_s^2$

۱۷۷- در مقایسه انواع مختلف دریچه‌های مدول نیرپیک دو نقابه، در رابطه با محدوده تغییرات رقوم سطح آب در کانال تغذیه شونده به ازای کاهش یا افزایش در دبی حداکثر به میزان ده درصد، کدام درست است؟ (حروف داخل پرانتز نشان‌دهنده نوع دریچه مدول نیرپیک می‌باشند.)

- (۱)  $\Delta h_{(L)} > \Delta h_{(C)} > \Delta h_{(XX)} > \Delta h_{(X)}$   
(۲)  $\Delta h_{(X)} > \Delta h_{(XX)} > \Delta h_{(L)} > \Delta h_{(C)}$   
(۳)  $\Delta h_{(C)} > \Delta h_{(L)} > \Delta h_{(XX)} > \Delta h_{(X)}$   
(۴)  $\Delta h_{(C)} = \Delta h_{(L)}$  ،  $\Delta h_{(X)} = \Delta h_{(XX)}$

۱۷۸- در کدام دریچه، به ازای دامنه محدودی از شرایط هیدرولیکی در بالا دست و پایین دست بالاخص تغییرات سطح آب و نیز عدم استغراق در پایین دست نیازی به سیستم اندازه‌گیری دبی در پایین دست نیست؟

- (۱) خودکار آمیل (۲) قطاعی (۳) کشویی ساده (۴) مدول نیرپیک

۱۷۹- در بازه‌ای از یک کانال آبیاری، به منظور عبور آب از یک دره، از سازه سیفون معکوس استفاده شده است. به منظور جلوگیری از تغییرات سطح آب در بالادست سیفون و ایجاد یک بار آبی ثابت، در نظر است از یک سازه کنترل سطح آب در بالادست سیفون استفاده شود. مناسب‌ترین سازه کنترل سطح آب، کدام است؟

- (۱) دریچه آویس (۲) دریچه آویو (۳) دریچه آمیل (۴) شکاف کنترل

۱۸۰- ارتفاع یک سد انحرافی ۵ متر، بار آبی کل روی آن ۳ متر و رقوم کف حوضچه آرامش  $0.7$  متر پایین‌تر از بستر رودخانه است. اگر ضریب جریان عبوری  $2/15$ ، دبی در واحد عرض برابر  $12$  مترمکعب در ثانیه و ضریب سرعت واقعی به سرعت افقی یک باشد، با در نظر گرفتن شرایط تیپ ۱، از انواع حوضچه‌های آرامش دفتر فنی عمران

آمریکا، کدام مناسب‌تر است؟  $(g = 10 \frac{m}{s^2})$

- (۱) تیپ ۱ (۲) تیپ ۲ (۳) تیپ ۳ (۴) تیپ ۴

۱۸۱- وسعت اراضی تحت پوشش یک کانال آبیاری، ۶۰۰ هکتار است. اگر هیدرومدول کل شبکه آبیاری با در نظر گرفتن ضریب انعطاف  $1/1$ ، برابر  $1/0.5$  و هیدرومدول کانال مورد نظر با در نظر گرفتن ضریب انعطاف پذیری مربوط  $1/5$  باشد، حداکثر دبی این کانال چند لیتر در ثانیه در نظر گرفته می‌شود؟

- (۱) ۶۳۰ (۲) ۶۹۳ (۳) ۹۰۰ (۴) ۹۹۰

۱۸۲- تأثیر بارندگی مؤثر بر هیدرومدول آبیاری یک شبکه آبیاری کدام است؟

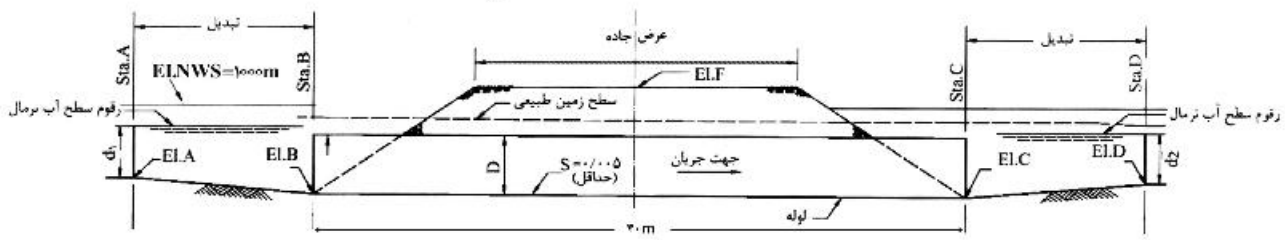
- (۱) با افزایش بارندگی مؤثر، در صورتی که کلیه عوامل دیگر ثابت باشند، مقدار هیدرومدول کاهش می‌یابد.
- (۲) با افزایش بارندگی مؤثر، در صورتی که کلیه عوامل دیگر ثابت باشند، مقدار هیدرومدول افزایش می‌یابد.
- (۳) هیدرومدول آبیاری هیچ‌گونه وابستگی به بارندگی مؤثر ندارد.
- (۴) تأثیر بارندگی مؤثر بر هیدرومدول به مقدار زیادی به راندمان‌های آبیاری بستگی دارد.

۱۸۳- اطلاعات درباره تقاطع یک کانال آبیاری با جاده آسفالته مطابق شکل است. مناسب‌ترین سازه انتقال کدام است؟

- (۱) احداث فلوم هوایی
- (۲) احداث فلوم زمینی
- (۳) احداث سیفون معکوس
- (۴) احداث دو ستون در دو طرف کانال و انتقال کانال به‌صورت زیرگذر از زیر جاده

۱۸۴- اگر تبدیل‌های ورودی و خروجی یک گذرگاه جاده خاکی باشد، با دبی  $1/5$  مترمکعب در ثانیه، رقوم نقطه C

(E.L.C = ?) واقع در انتهای لوله در شکل زیر حدوداً کدام است؟  $(g = 10 \frac{m}{s^2})$



۹۹۸/۰ (۲)

۹۹۷/۸۰ (۱)

۹۹۸/۳۲ (۴)

۹۹۸/۲ (۳)

۱۸۵- در تقاطع یک کانال با یک دره عمیق و طولانی، از سازه سیفون معکوس طویل استفاده شده است. دبی کانال

$4/70$  مترمکعب در ثانیه و در طرفین کانال در محل اتصال به سیفون، از تبدیل‌های بتنی استفاده خواهد شد. اگر قطر لوله‌های موجود برحسب متر  $0/5$ ،  $0/75$ ،  $1/0$ ،  $1/25$ ،  $1/5$ ،  $1/75$  و  $2/0$  باشد، قطر لوله مناسب‌تر چند متر است؟

$1/75$  (۴)

$1/5$  (۳)

$1/25$  (۲)

$2/0$  (۱)

۱۸۶- در ناو کانال زمینی اختلاف بین رقوم کف کانال‌های بالادست و پایین‌دست،  $20$  سانتی‌متر و اختلاف ارتفاع ناشی

از انرژی جنبشی جریان آب در کانال‌های بالادست و پایین‌دست با جریان آب در فلوم  $5$  سانتی‌متر است. اگر ضریب افت بار در ورودی  $0/5$  و در خروجی  $1$  باشد، اختلاف بین رقوم کف فلوم در بالادست و پایین‌دست چند سانتی‌متر است؟

$16$  (۴)

$12/5$  (۳)

$7/5$  (۲)

$4$  (۱)

۱۸۷- دبی عبوری از شیب‌شکن مایل مستطیلی  $4$  مترمکعب در ثانیه و عرض کف در کانال بالادست آن  $1/5$  متر است.

اگر عمق آب در محل برخورد قسمت شیب‌دار با کف افقی حوضچه آرامش (نقطه A)،  $0/14$  متر باشد عمق آب در کانال بالادست حدوداً چند متر است؟

$2$  (۲)

$2/5$  (۱)

$1$  (۴)

$1/5$  (۳)

۱۸۸- مقدار افت سطح آب بین کانال و داخل مجرای سرریخته در سرآب برابر ..... و در پایاب ..... است. ( $K_1$  و  $K_2$  ضرایب افتبار ورودی و خروجی و  $\Delta h_v$  اختلاف بار سرعت در کانال و مجرای سرریخته می‌باشند).

$$(1) \quad k_2 \Delta h_v - k_1 \Delta h_v \quad (2) \quad (1 - k_2) \Delta h_v - (1 + k_1) \Delta h_v$$

$$(3) \quad (1 + k_2) \Delta h_v - (1 - k_1) \Delta h_v \quad (4) \quad (k_1 - k_2) \Delta h_v - (k_1 + k_2) \Delta h_v$$

۱۸۹- در یک بازه از تندآب مطابق شکل زیر، انرژی مخصوص در نقطه A برابر  $3/2$  متر و شیب هیدرولیکی در آن نقطه،  $0/03$  است. محاسبات تعیین عمق نرمال نشان می‌دهد که این عمق برابر  $0/2$  متر و سرعت جریان  $10$  متر در ثانیه

است. اگر طول بازه بی‌نهایت فرض شود، عمق نرمال چند متر پایین‌تر از نقطه A تشکیل می‌شود؟ ( $g = 10 \frac{m}{s^2}$ )

$$(1) \quad 200$$

$$(2) \quad 180$$

$$(3) \quad 150$$

$$(4) \quad 100$$

۱۹۰- در بازه‌ای از یک کانال انتقال مطابق شکل، اگر در نقطه C که بلافاصله در بالادست آبیگر شماره ۲ قرار دارد، سرعت آب  $1$  متر در ثانیه، و عمق آب  $2$  متر باشد، اگر رقوم سطح آب در نقطه C،  $100$  متر بالاتر از سطح مبنا و افت بار آبیگر شماره ۱،  $25$  سانتی‌متر باشد، رقوم خط انرژی در A چقدر است؟

$$(1) \quad 102/05$$

$$(2) \quad 102/1$$

$$(3) \quad 100/05$$

$$(4) \quad 100/8$$

### هیدرولوژی آب‌های سطحی و زیرزمینی:

۱۹۱- فاصله نقطه خروجی تا دورترین قسمت یک حوضه آبریز L (برحسب کیلومتر)، مساحت حوضه A (برحسب کیلومترمربع) و عرض متوسط حوضه B (برحسب کیلومتر) است. حاصلضرب عامل شکل حوضه (SF) در عامل فرم حوضه (FF) برابر کدام است؟

$$(1) \quad 1 \quad (2) \quad \frac{B}{L}$$

$$(3) \quad \frac{1}{2} \quad (4) \quad \frac{L}{B}$$

۱۹۲- در حوضه آبریزی به مساحت  $72$  کیلومترمربع، آبنمود واحد  $4$  ساعته مثلثی حوضه ناشی از وقوع یک سانتی‌متر بارش مازاد دارای دبی اوج  $10$  مترمکعب بر ثانیه است. زمان تداوم و دبی اوج هیدروگراف واحد  $8$  ساعته این حوضه برحسب ساعت و مترمکعب بر ثانیه به ترتیب چقدر است؟

$$(1) \quad 5, 20 \quad (2) \quad <10, 20 \quad (3) \quad 20, 40 \quad (4) \quad <10, 40$$

۱۹۳- در یک آبنود واحد t - ساعته، t کدام است؟

$$(1) \quad \text{زمان تأخیر حوضه آبریز} \quad (2) \quad \text{زمان تداوم آبنود}$$

$$(3) \quad \text{زمان تداوم باران مازاد} \quad (4) \quad \text{زمان تداوم باران کل}$$

۱۹۴- اگر فاصله زمانی بین مرکز نقل رگبار و دبی اوج هیدروگراف سیلاب،  $2$  ساعت باشد، زمان تمرکز حوضه چند ساعت است؟

$$(1) \quad 1/2 \quad (2) \quad 2 \quad (3) \quad 3 \quad (4) \quad 3/3$$

۱۹۵- کدام روش منطقه‌ای باران، دارای دقت کمتری است؟

- (۱) چند ضلعی تیسن (۲) خطوط همیاران (۳) میانگین ریاضی (۴) معادله گرادیان

۱۹۶- اندازه‌گیری‌های تشت تبخیر تقریبی از کدام مورد است؟

- (۱) تبخیر واقعی (۲) تبخیر واقعی  
(۳) تبخیر - تعرق واقعی (۴) تبخیر - تعرق پتانسیل

۱۹۷- اگر در یک حوضه آبریز نگهداشت سطحی آب حوضه و تلفات اولیه بارش ناچیز فرض شود، براساس روش حفاظت

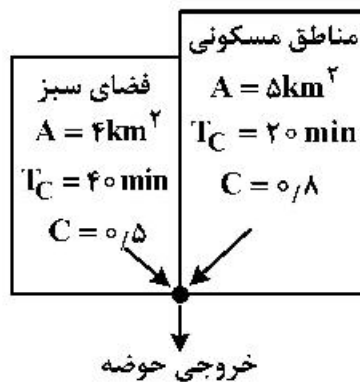
خاک آمریکا (SCS) کدام درست است؟

- (۱) تمام بارش به درون خاک نفوذ می‌کند. (۲) تمام بارش به رواناب تبدیل می‌شود.  
(۳) شماره منحنی حوضه آبریز کمترین مقدار است. (۴) نیمی از بارش به رواناب و نیمی از آب، نفوذ می‌کند.

۱۹۸- برای حوضه آبریز شکل زیر که از دو کاربری مناطق مسکونی و فضای سبز تشکیل شده است، زمان تمرکز

(برحسب دقیقه) و متوسط ضریب رواناب حوضه به ترتیب چقدر است؟

(A: مساحت، C: ضریب رواناب،  $T_C$ : زمان تمرکز)



(۱) ۰.۸ ، ۴۰

(۲) ۰.۶۷ ، ۴۰

(۳) ۰.۷ ، ۶۰

(۴) ۰.۶۷ ، ۶۰

۱۹۹- پلی بر روی یک رودخانه براساس دبی طراحی ۲۵ ساله ساخته شده است. احتمال اینکه شاهد عبور جریان از روی

پل در سال آینده نیاشیم چند درصد است؟

(۱) ۴

(۲) ۲۵

(۳) ۹۲

(۴) ۹۶

۲۰۰- برای محاسبه مقدار آب قابل بارش به روش همدیدی، به کدام مورد نیاز است؟

- (۱) رطوبت ویژه و فشار هوا (۲) رطوبت ویژه و دمای هوا  
(۳) رطوبت مطلق و دمای هوا (۴) کمبود اشباع و فشار هوا

۲۰۱- در کدام مورد قانون دارسی معتبر است؟

(۱) در اطراف چاه‌های پمپاژ

(۲) زمانی که رابطه بین سرعت جریان و گرادیان هیدرولیکی خطی باشد.

(۳) زمانی که تأثیر نیروی اینرسی جریان بسیار بیشتر از نیروی گرانشی باشد.

(۴) زمانی که دبی عبوری از آبخوان با توان دوم گرادیان هیدرولیکی متناسب باشد.

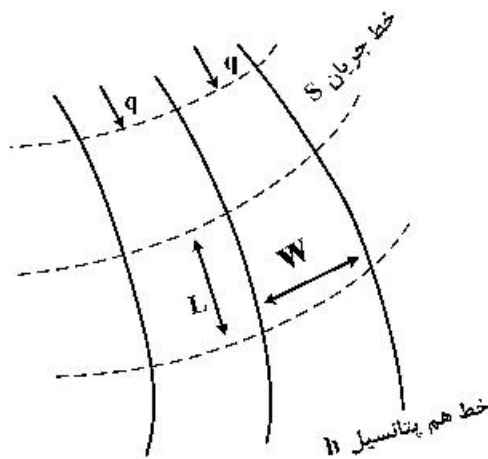
۲۰۲- کدام ویژگی در مورد آبخوانی که محتوی مقدار قابل ملاحظه‌ای آب است، اما با حفر چاه پمپاژی آب به آسانی قابل

استحصال نیست، درست است؟

- (۱) تخلخل کم مواد تشکیل‌دهنده آبخوان (۲) دانه‌بندی ضعیف مواد تشکیل‌دهنده آبخوان  
(۳) ضریب ذخیره پایین تشکیل‌دهنده آبخوان (۴) نفوذپذیری کم مواد تشکیل‌دهنده آبخوان



۲۰۳- در شبکه جریان شکل زیر، مقدار شار جریان عبوری از هر المان به عرض  $W$  و طول  $L$  از کدام رابطه به دست می آید؟ ( $k$ : هدایت هیدرولیکی اشباع)



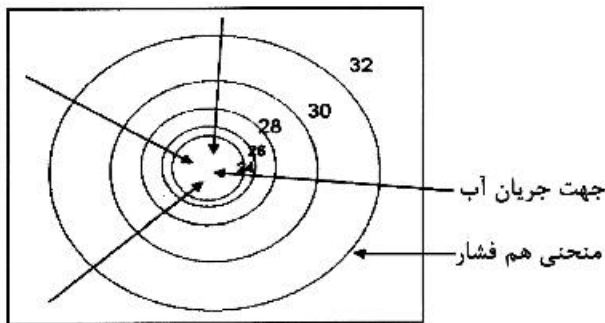
$$q = -k \cdot \Delta h \cdot \frac{W}{L} \quad (1)$$

$$q = -k \cdot \Delta h \cdot \frac{L}{W} \quad (2)$$

$$q = -k \cdot \Delta S \cdot \frac{L}{W} \quad (3)$$

$$q = -k \cdot \Delta S \cdot \frac{W}{L} \quad (4)$$

۲۰۴- نقشه پیزومتری نشان داده شده در شکل زیر می تواند مربوط به ..... باشد.



- (۱) چاه در حال تغذیه
- (۲) چاه در حال تخلیه
- (۳) چاه ارتزین در حال فوران
- (۴) کانال در حال زهکشی

۲۰۵- در رسم شبکه جریان برای آبخوانی که هدایت هیدرولیکی افقی و عمودی آن به ترتیب  $k_x = 20$  و  $k_y = 5$  متر

بر روز است، تغییر مقیاس ابعاد هندسی آبخوان و هدایت هیدرولیکی معادل آبخوان چگونه است؟

- (۱) تمام ابعاد افقی آبخوان نصف می شود و هدایت هیدرولیکی معادل  $10$  متر بر روز است.
- (۲) تمام ابعاد افقی و عمودی آبخوان دو برابر می شود و هدایت هیدرولیکی معادل  $10$  متر بر روز است.
- (۳) تمام ابعاد عمودی آبخوان چهار برابر می شود و هدایت هیدرولیکی معادل  $12/5$  متر بر روز است.
- (۴) تمام ابعاد افقی و عمودی آبخوان دو برابر می شود و هدایت هیدرولیکی معادل  $12/5$  متر بر روز است.

۲۰۶- ضریب ذخیره در یک آبخوان تحت فشار با ضخامت اشباع  $25$  متر و ضخامت آبرفت  $50$  متر، برابر با  $7/5 \times 10^{-4}$  است. ضریب ذخیره ویژه این آبخوان چقدر است؟

$$1/5 \times 10^{-4} \quad (2)$$

$$1/5 \times 10^{-4} \text{ cm}^{-1} \quad (1)$$

$$3 \times 10^{-4} \quad (4)$$

$$3 \times 10^{-4} \text{ cm}^{-1} \quad (3)$$

۲۰۷- آب زیرزمینی از یک آبخوان تحت فشار در حال پمپاژ است، فشار بین ذرات خاک و فشار منفذی آب درون آبخوان به ترتیب چگونه تغییر می کنند؟

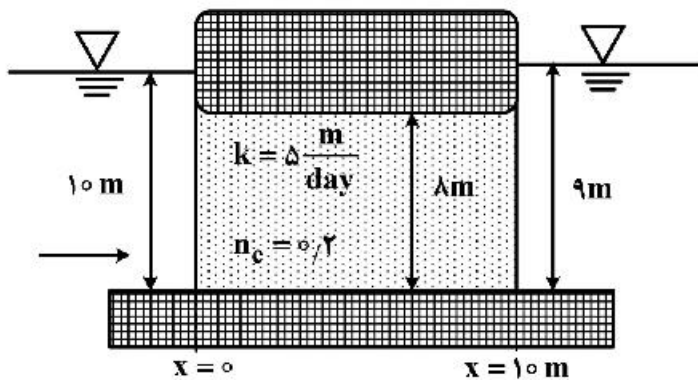
(۲) افزایش - کاهش

(۱) افزایش - افزایش

(۴) کاهش - کاهش

(۳) کاهش - افزایش

۲۰۸- در سیستم آبخوان محصور شکل زیر، جریان عبوری از آبخوان به ازای عرض واحد آبخوان و سرعت واقعی جریان به ترتیب چند مترمکعب بر روز و متر بر روز است؟ ( $k$ : هدایت هیدرولیکی اشباع و  $n_e$ : تخلخل مؤثر آبخوان)



- (۱) ۰/۵ ، ۴  
 (۲) ۲/۵ ، ۴  
 (۳) ۰/۵ ، ۲۰  
 (۴) ۲/۵ ، ۲۰

۲۰۹- در یک آبخوان آبرفتی با هدایت هیدرولیکی برابر با ۲۵۰۰۰ سانتی‌متر در روز، اگر شیب هیدرولیکی برابر با ۱ درصد باشد، چند روز طول می‌کشد که فاصله ۲ کیلومتری توسط آب زیرزمینی طی شود؟

- (۱) ۸  
 (۲) ۸۰  
 (۳) ۸۰۰  
 (۴) ۸۰۰۰

۲۱۰- بخش غیراشباع یک آبخوان همگن به ضخامت ۱۰ متر که در حد ظرفیت مزرعه رطوبت دارد، ۵ سانتی‌متر بارش از سطح دریافت کرده است و موجب افزایش سطح آب زیرزمینی به اندازه ۲۰ سانتی‌متر شده است، ضریب ذخیره آبخوان چند درصد است؟

- (۱) ۲۵  
 (۲) ۴۰  
 (۳) ۵۰  
 (۴) ۶۰

#### آمار و احتمالات:

۲۱۱- در مجموعه داده ۱۰۰ عددی که میانگین آن  $\bar{X} = 5$  و  $\sum X^2 = 5000$  باشد، انحراف معیار میانگین داده‌ها  $(S_{\bar{X}})$  کدام است؟

- (۱) ۰/۲۵  
 (۲) ۰/۵  
 (۳) ۵  
 (۴) ۲۵

۲۱۲- اگر  $\bar{X} = \frac{\sum \bar{X}_i}{n}$  باشد،  $\sum [X_i(X_i - \bar{X}) + \bar{X}^2 - X_i^2]$  برابر با کدام است؟

- (۱) صفر  
 (۲) ۱  
 (۳)  $(\sum X_i)^2$   
 (۴)  $\sum X_i^2$

۲۱۳- اگر  $n = 5$  و  $\sum_{i=1}^5 X_i = 30$  باشد، حاصل عبارت  $\sum_{i=1}^5 (4X_i - 6)$  کدام است؟

(۱) ۶۰

(۲) ۹۰

(۳) ۱۲۰

(۴) ۱۵۰

۲۱۴- اگر میانگین و واریانس اعداد ۱ تا ۵ را با استفاده از روابط  $m = \frac{\sum f_i X_i}{N}$  و

$$\sigma^2 = \frac{\sum f_i X_i^2 - (\sum f_i X_i)^2 / N}{N}$$

محاسبه کنیم، کدام درست است؟

( $f_i$  فراوانی داده‌ها و  $N, \sigma^2, m$  به ترتیب میانگین، واریانس و تعداد کل داده‌ها است)

(۱)  $\sigma^2 = 3, m = 2$ (۲)  $\sigma^2 = 2, m = 3$ (۳)  $\sigma^2 = 10, m = 5$ (۴)  $\sigma^2 = 5, m = 10$ 

۲۱۵- امید ریاضی  $Y = 2X_1 + 3X_2 - 4$  کدام است؟

(۱)  $2\mu_1 + 3\mu_2$ (۲)  $\mu_1 + \mu_2$ (۳)  $2\mu_1 + 3\mu_2 - 4$ (۴)  $2\mu_1 + 3\mu_2 + 16$ 

۲۱۶- یک سکه متعادل و یک سکه نامتعادل (با احتمال شیر آمدن  $5/6$ ) را در نظر بگیرید، اگر یک سکه به تصادف

پرتاب شود، احتمال آمدن شیر چقدر است؟

(۱)  $5/25$ (۲)  $5/3$ (۳)  $5/55$ (۴)  $5/6$ 

۲۱۷- ضریب تغییرات و انحراف معیار را برای دو جامعه محاسبه و اعداد زیر حاصل شده است:

$$CV_1 = 35, S_1 = 140, CV_2 = 70, S_2 = 140$$

میانگین‌های دو جامعه در کدام مورد صدق می‌کند؟

(۱)  $\mu_2 > \mu_1$ (۲)  $\mu_1 = \mu_2$ (۳)  $\mu_2 = 2\mu_1$ (۴)  $\mu_1 = 2\mu_2$

۲۱۸- اگر احتمال جوانه‌زنی بذر جو ۷۰ درصد باشد، میانگین و انحراف معیار جوانه‌زنی در نمونه‌ای متشکل از ۱۰۰ بذر به ترتیب از راست به چپ چقدر است؟

(۱) ۴,۵۸, ۳۰

(۲) ۰,۷۰, ۳۰

(۳) ۴,۵۸, ۷۰

(۴) ۸,۳۷, ۷۰

۲۱۹- اگر تعداد ترکیبات ۳ از n برابر ۲۴ باشد، آن‌گاه تعداد جایگشت یا تبدیل‌های ۳ از n برابر کدام است؟

(۱) ۴

(۲) ۷۲

(۳) ۱۴۴

(۴) ۱۸۰

۲۲۰- در کلاس ۳۰ نفره از دانشجویان می‌خواهیم دو نفر را به‌عنوان دستیار استاد انتخاب کنیم. این کار به چند روش امکان‌پذیر است؟

(۱) ۹۰۰

(۲) ۸۷۰

(۳) ۴۲۵

(۴) ۱۵

۲۲۱- از جامعه‌ای متشکل از ۱۰۰ فرد، تمامی نمونه‌های ۹ فردی ممکن را انتخاب و واریانس میانگین نمونه‌ها مساوی ۴ به‌دست آمده‌است. واریانس جامعه چند است؟

(۱) ۴۰۰

(۲) ۳۶

(۳) ۶

(۴) ۴

۲۲۲- آماره عبارت از کدام است؟

(۱) انحراف معیار جامعه

(۲) پارامتر جامعه

(۳) کمیت محاسبه شده از جامعه

(۴) کمیت محاسبه شده از نمونه

۲۲۳- برای آزمون فرض  $H_0: \mu_1 = \mu_2$  مقابل  $H_1: \mu_1 \neq \mu_2$  از دو جامعه با واریانس همگن، دو نمونه تصادفی مستقل با اندازه برابر گرفته شده‌است. آماره آزمون و درجه آزادی آن کدام است؟

(۱)  $t$  با  $(n-1)$

(۲)  $t$  با  $n-2$

(۳)  $\chi^2$  با  $(n-1)$

(۴)  $F$  با ۱ و  $n-1$

۲۲۴- مقدار عملکرد دو رقم کنگد در منطقه‌ای طی ده سال در اختیار است. برای مقایسه پتانسیل تولید این دو رقم کدام روش آماری درست است؟

(۱) آزمون کای اسکور

(۲) آزمون رگرسیون

(۳) آزمون غیرجفتی

(۴) آزمون جفتی

۲۲۵- در یک نمونه ۵ تایی در یک مجموعه سیب حدود اعتماد ۹۵ درصد میانگین وزن سیب ۱۲۸/۹ تا ۱۷۱/۱ گرم به‌دست آمده‌است. میانگین وزن سیب در این نمونه چندگرم است؟

(۱) ۶۰

(۲) ۱۰۰

(۳) ۱۵۰

(۴) ۳۰۰

۲۲۶- در مورد شخصی که حقیقتاً گناهکار است و در دادگاه بی‌گناه شناخته شده است، کدام درست است؟

- (۱) چون یک فرضیه آماری آزمون شده است ناچاریم به نتیجه اعتماد کنیم.
- (۲) برای تشخیص نوع خطا، اطلاع از فرض صفر مورد نیاز است.
- (۳) خطای نوع اول رخ داده است.
- (۴) خطای نوع دوم رخ داده است.

۲۲۷- وزن سیب‌های برداشت‌شده از یک باغ شامل یک نمونه ۱۰۰ تایی به صورت زیر است، باغبان معتقد است که وزن سیب‌ها یکنواخت توزیع شده است. آماره آزمون برای آزمون این ادعا کدام است؟

وزن (گرم)	۵۰ تا ۰	۱۰۰ تا ۵۰	۱۵۰ تا ۱۰۰	۲۰۰ تا ۱۵۰
فراوانی	۳۵	۳۰	۲۵	۱۰

$$t = 4 \quad (1)$$

$$\chi^2 = 4 \quad (2)$$

$$t = 14 \quad (3)$$

$$\chi^2 = 14 \quad (4)$$

۲۲۸- اگر کواریانس دو متغیر که دارای توزیع نرمال هستند صفر شود، در چنین حالتی کدام درست است؟

- (۱) دو متغیر دارای استقلال آماری بوده و هیچگونه رابطه‌ای با یکدیگر ندارند.
- (۲) نیاز به آزمون رابطه خطی و غیرخطی داریم.
- (۳) دو متغیر فقط رابطه خطی ندارند.
- (۴) دو متغیر فقط رابطه غیرخطی ندارند.

۲۲۹- کدام مورد میزان وابستگی دو متغیر را بررسی نمی‌کند؟

- (۱) ضریب همبستگی
- (۲) ضریب رگرسیون
- (۳) کواریانس
- (۴) واریانس

۲۳۰- تبدیل  $Z$  به  $z$  برای آزمون کدام فرض صفر مناسب است؟

- (۱)  $\rho = \rho_0$
- (۲)  $\rho = 0$
- (۳)  $\beta = 0$
- (۴)  $\beta = \beta_0$

مدیریت منابع آب:

۲۳۱- در صورت حل مسئله برنامه‌ریزی خطی زیر به روش سیمپلکس، متغیرهای ورودی و خروجی تکرار اول (در جدول ابتدایی) کدام است؟

$$\text{Max } Z = 9x_1 + 12x_2$$

$$-3x_1 + 2x_2 \leq 200$$

$$x_1 \leq -2x_2$$

$$x_1, x_2 \geq 0$$

(۲)  $x_1$  ورودی و  $S_2$  خروجی

(۴)  $x_1$  ورودی و  $S_1$  خروجی

(۱)  $x_2$  ورودی و  $S_2$  خروجی

(۳)  $x_2$  ورودی و  $S_1$  خروجی

۲۳۲- مسأله برنامه‌ریزی خطی زیر مفروض است. اگر یکی از محدودیت‌های این مسأله برداشته شود، منطقهٔ موجه ..... می‌شود و مقدار تابع هدف می‌تواند ..... شود.

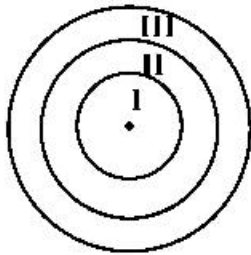
$$\text{Max } Z = \sum_{j=1}^n c_j x_j \quad \sum_{j=1}^n a_{ij} x_j \leq b_i \quad i = 1, 2$$

(۱) بزرگ‌تر - بیشتر (۲) بزرگ‌تر - کمتر (۳) کوچک‌تر - بیشتر (۴) کوچک‌تر - کمتر

۲۳۳- اگر در رودخانه‌ای سیلی با دبی ۱۵ مترمکعب بر ثانیه در هر ۵۰ سال یکبار رخ دهد، احتمال وقوع این سیل چند درصد است و برای تعیین حریم رودخانه معمولاً میزان دورهٔ بازگشت را چند سال در نظر می‌گیرند؟

(۱) ۲ - ۲۵ (۲) ۵ - ۵۰ (۳) ۲ - ۱۰۰ (۴) ۵۰ - ۱۰۰

۲۳۴- معمولاً سه منطقه حمایتی در اطراف چاه آب شرب برای حریم چاه در برابر آلاینده‌ها در نظر می‌گیرند. شعاع حوزه I (حمایت فوری) و شعاع حوزه III را چقدر تعیین می‌کنند؟



(۱) ۱۰۰ متر، ۱۰۰۰ متر

(۲) ۱۰ متر، به اندازهٔ شعاع تأثیر چاه

(۳) ۱۵ متر، به اندازهٔ ۲ برابر شعاع تأثیر چاه

(۴) ۱۰ متر، به اندازهٔ مسافتی که هر قطره آب حاوی باکتری مضر، ۵ روز طول بکشد تا به چاه برسد.

۲۳۵- آبرانه چیست؟

(۱) تجارت آب مجازی (۲) مجموع آب آبی و سبز

(۳) مجموع آب آبی و خاکستری (۴) مجموع آب آبی، سبز و آب خاکستری

۲۳۶- طبق قانون «توزیع عادلانهٔ آب» در مناطق ..... حفر چاه با ظرفیت آبدهی ۲۵ مترمکعب در شبانه‌روز برای مصرف شرب، بهداشت و باغچه با موافقت کتبی ..... مجاز است و نیاز به صدور پروانه حفر و بهره‌برداری ندارد.

(۱) غیرممنوعه، وزارت نیرو (۲) ممنوعه، وزارت نیرو

(۳) غیرممنوعه، وزارت نیرو و وزارت جهاد کشاورزی (۴) ممنوعه، وزارت نیرو و وزارت جهاد کشاورزی

۲۳۷- سازند کارست جزء کدام یک از سازندهای زمین‌شناسی است و از نظر ذخیرهٔ آب چگونه است؟

(۱) سنگ‌های آذرین است و از منابع فقیر آب محسوب می‌شود.

(۲) سنگ‌های دگرگونی است و از منابع غنی آب محسوب می‌شود.

(۳) سنگ‌های رسوبی است و از منابع غنی آب محسوب می‌شود.

(۴) سنگ‌های رسوبی است و فاقد تخلخل برای ذخیرهٔ آب محسوب می‌شود.

۲۳۸- روش سادک (سیمپلکس) قادر به حل کدام یک از مسائل بهینه‌سازی است؟

(۱) خطی (۲) خطی و غیرخطی (۳) پیوسته و گسسته (۴) گسسته

۲۳۹- در کدام فصل صاحبان قنات به منظور جلوگیری از تخلیه دائم آب زیرزمینی موظف به نصب دریچه هستند؟

(۱) بهار

(۲) پاییز

(۳) زمستان

(۴) فصل‌هایی از سال که احتیاج به بهره‌برداری از آب زیرزمینی نباشد.

۲۴۰- مساحت دریاچه یک سد برای تأمین آب شرب یک منطقه، ۱۰۰ هکتار است. اگر مقدار تبخیر سالانه از سطح دریاچه ۲۴۰۰ میلی‌متر باشد و مصرف سرانه شرب و بهداشت برای هر نفر، ۱۵۰ لیتر در شبانه‌روز باشد، به‌ازای تلفات تبخیر سالانه، نیاز شرب و بهداشت چند نفر از دسترس خارج می‌شود؟

- (۱) ۱۶۰۰۰ (۲) ۱۶۰۰۰۰ (۳) ۱۶۰۰۰۰۰ (۴) ۱۶۰۰۰۰۰۰

۲۴۱- کدام نوع چاه را مسلوب‌المنفعه می‌گویند؟

- (۱) چاهی که به نظر کارشناسان وزارت نیرو بایر یا متروک مانده و یا چاهی که به‌طور فاحشی آب آن نقصان یافته باشد.  
 (۲) چاهی که منفعت زیادی برای صاحب آن نداشته باشد.  
 (۳) چاهی که به‌اندازه کافی آب‌دهی نداشته باشد.  
 (۴) چاهی که از صاحب آن به زور گرفته شده باشد.

۲۴۲- معادله بیلان هیدرولوژیک یک سیستم کدام است؟

$$(۱) \frac{I+O}{۲} = \frac{ds}{dt} \quad (۲) \frac{I}{O} = \frac{ds}{dt} \quad (۳) I - O = \frac{ds}{dt} \quad (۴) I + O = \frac{ds}{dt}$$

۲۴۳- عامل اصلی در بروز گرفتگی بسترهای تغذیه مصنوعی آب زیرزمینی کدام است؟

- (۱) بافت و ساختمان خاک  
 (۲) سرعت نفوذ اولیه آب ورودی  
 (۳) غلظت رسوبات همراه با آب ورودی  
 (۴) دانه‌بندی رسوبات همراه با آب ورودی
- ۲۴۴- مسئولیت «پیشگیری و جلوگیری از آلودگی منابع آب» و مسئولیت «شیرین کردن آب شور» در مناطق لازم به ترتیب به عهده کدام ارگان است؟

- (۱) وزارت نیرو، وزارت نیرو  
 (۲) سازمان حفاظت محیط زیست، وزارت نیرو  
 (۳) وزارت بهداشت، وزارت صنعت  
 (۴) وزارت بهداشت، وزارت کشاورزی

۲۴۵- اگر اول مهر مخزن سد خالی باشد و داده‌های ورودی و خروجی آب مخزن سد به شرح جدول زیر باشد، حجم زنده

شماره	ورودی MCM	خروجی MCM
۷	۱	۰
۸	۱	۱
۹	۲	۱
۱۰	۲	۰
۱۱	۲	۰
۱۲	۳	۰
۱	۴	۰
۲	۴	۳
۳	۴	۵
۴	۳	۶
۵	۲	۶
۶	۱	۰

مخزن با روش اوج‌ها کدام است؟

- (۱) ۶  
 (۲) ۹  
 (۳) ۱۲  
 (۴) ۱۳

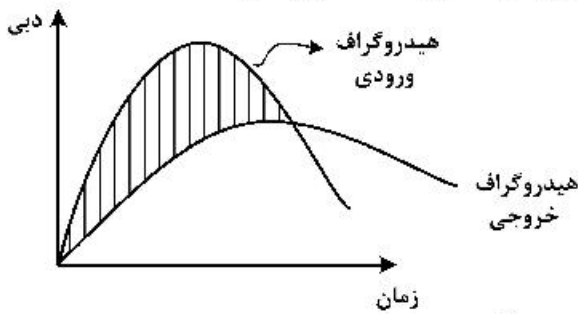
۲۴۶- مدیر منابع آب کشور کدام است؟

- (۱) رئیس‌جمهور  
 (۲) رئیس سازمان محیط زیست  
 (۳) وزیر نیرو  
 (۴) وزیر جهاد کشاورزی

۲۴۷- مرجع تصمیم‌گیری در مورد دوره بازگشت تعیین بستر قانونی رودخانه کدام است؟

- (۱) سازمان محیط زیست  
 (۲) قوه قضاییه  
 (۳) کارشناسان محیط زیست  
 (۴) وزارت نیرو

۲۴۸- در شکل زیر بخش هاشور خورده چیست و برای تعیین کدام پارامتر مخازن سدها کاربرد دارد؟



- (۱) حجم کل مخزن تأخیری - تراز نرمال مخزن
- (۲) حجم فعال مخزن تأخیری - تراز حداکثر مخزن
- (۳) حجم مرده مخزن تأخیری - تراز حداقل مخزن
- (۴) سطح مهار سیلاب - تراز حداکثر سیلاب

۲۴۹- کدام مورد از روش‌های بهبود راندمان آبیاری مزرعه در شبکه‌های آبیاری نیست؟

- (۱) استفاده از عمق آبیاری بین ۱۰۰-۶۰ میلی‌متر در هر دوره آبیاری
- (۲) پوشش بتنی کانال‌ها
- (۳) تسطیح اراضی
- (۴) ترانس‌بندی اراضی

۲۵۰- کدام روش، کاهش مصرف آب یک شهر را به‌دنبال خواهد داشت؟

- (۱) کاهش قیمت آب
- (۲) استفاده از لوله‌های پلی‌اتیلن
- (۳) استفاده از سیستم پیوسته تأمین آب
- (۴) مجزاسازی کنتورهای مصرف‌کنندگان در مجتمع‌های ساختمانی

دروس تخصصی هواشناسی کشاورزی (هوا و اقلیم‌شناسی، زراعت، باغبانی، خاک‌شناسی، آبیاری، گیاه‌پزشکی):

۲۵۱- کمی پس از طلوع آفتاب چه رابطه‌ای بین تابش موج بلند زمین (LWR) و موج کوتاه خورشید (SWR) وجود دارد؟

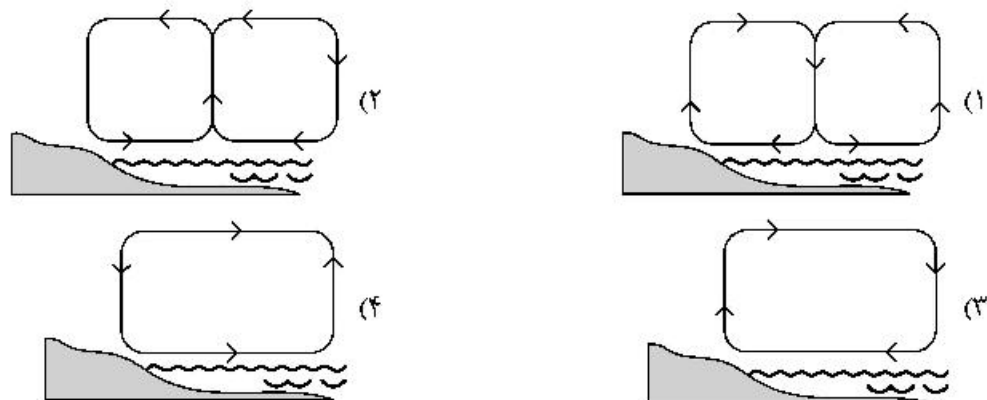
- (۱)  $LWR = SWR$
- (۲)  $LWR = 0.25 SWR$
- (۳)  $LWR = 0.5 SWR$
- (۴)  $LWR = 0.75 SWR$

۲۵۲- گرادیان فشار بین دو نقطه A و B دو برابر گرادیان فشار بین دو نقطه C و D است. اگر چگالی هوای CD نصف

AB باشد، نیروی گرادیان فشار AB چند برابر CD خواهد بود؟

- (۱)  $F(AB) = 4F(CD)$
- (۲)  $F(AB) = 2F(CD)$
- (۳)  $F(AB) = 0.5F(CD)$
- (۴)  $F(AB) = F(CD)$

۲۵۳- کدام دیاگرام، بهترین مدل جریان هوا در نواحی ساحلی در بعدازظهر را نشان می‌دهد؟





۲۵۴- تفاوت اصلی معادله فشارسنجی بابینه (Babinet) و معادله لاپلاس کدام است؟

- (۱) تفاوت مقادیر ضریب A در دو معادله
- (۲) عدم نیاز به تصحیح ارتفاعی در معادله بابینه
- (۳) عدم نیاز به میانگین‌گیری دمایی هوا در سطح فشاری در معادله بابینه
- (۴) نبود جمله لگاریتمی و ضریب A در معادله بابینه

۲۵۵- نوسان دوگانه در رژیم شبانه‌روزی فشار در کدام مناطق کمتر قابل تشخیص است؟

- (۱) استوا
- (۲) کویرها
- (۳) قطبین
- (۴) مناطق معتدله

۲۵۶- براساس طبقه‌بندی اقلیمی کوپن (Koppen) بیشتر مساحت کشور تحت پوشش کدام زوج اقلیمی قرار می‌گیرد؟

- (۱) BS , Cw
- (۲) BS , BW
- (۳) Cs , Cw
- (۴) Cs , Df

۲۵۷- کدام میدان فشاری در تابستان ایران را تحت تأثیر قرار می‌دهد؟

- (۱) پرفشار اطلس شمالی
- (۲) پرفشار آزورس
- (۳) کم‌فشار مدیترانه
- (۴) کم‌فشار اقیانوس هند

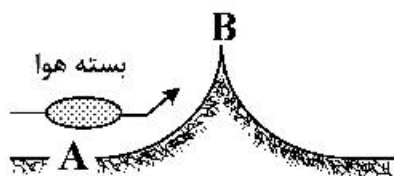
۲۵۸- پیشوندهای Strato, Cirro, Alto که در نامگذاری ابرها استفاده می‌شوند به ترتیب از راست به چپ دارای کدام مفهوم هستند؟

- (۱) پرتاب، ورقه‌ای، پشته‌ای
- (۲) مرتفع، ورقه‌ای، پرتاب
- (۳) مرتفع، پرتاب، ورقه‌ای
- (۴) ورقه‌ای، ورقه‌ای، پرتاب

۲۵۹- دلیل اصلی افزایش تبخیر در کوهستان چیست؟

- (۱) افزایش تابش خورشید
- (۲) کاهش فشار هوا
- (۳) کاهش رطوبت هوا
- (۴) کاهش دمایی هوا

۲۶۰- در شکل زیر، با صعود بسته هوا از A تا B، حجم بسته هوا چگونه تغییر می‌کند؟



(۱) افزایش می‌یابد.

(۲) کاهش می‌یابد.

(۳) ابتدا بدون تغییر و سپس کاهش می‌یابد.

(۴) ابتدا افزایش و سپس کاهش می‌یابد.

۲۶۱- در مورد ضریب هدایت گرمایی خاک، کدام درست است؟

- (۱) هرچه کمتر باشد، تغییر دما در سطح کمتر بوده و گرمای کمتری در خاک ذخیره می‌شود.
- (۲) هرچه کمتر باشد، تغییر دما در سطح کمتر بوده و گرمای بیشتری در خاک ذخیره می‌شود.
- (۳) هرچه بیشتر باشد، تغییر دما در سطح کمتر بوده و گرمای کمتری در خاک ذخیره می‌شود.
- (۴) هرچه بیشتر باشد، تغییر دما در سطح کمتر بوده و گرمای بیشتری در خاک ذخیره می‌شود.

۲۶۲- نسبت عمق میرایی یا استهلاک نوسان دمای سالانه به شبانه‌روزی دمای خاک به‌طور متوسط برای خاک‌های مختلف به‌طور تقریبی کدام است؟

- (۱) ۴
- (۲) ۶
- (۳) ۸
- (۴) ۱۲

۲۶۳- یک درجه تغییر دما در مقیاس فارنهایت، معادل چند درجه تغییر دما در مقیاس سلسیوس است؟

- (۱) ۵/۵۶
- (۲) ۵/۹۰
- (۳) ۱/۸
- (۴) ۳/۶

۲۶۴- با توجه به شکل زیر، انتقال انرژی در کدام راستا انجام می‌شود؟



(۱) ابتدا بالاسو و سپس پایین‌سو

(۲) ابتدا پایین‌سو و سپس بالاسو

(۳) همواره بالاسو

(۴) همواره پایین‌سو

۲۶۵- در فرمول تحول آدیاباتیک هوای خشک به صورت  $\frac{T}{T_0} = \left(\frac{P}{P_0}\right)^\alpha$  کدام درست است؟

(۱) واحد دما بر حسب درجه سانتی گراد و مقدار  $\alpha$  حدود ۰/۷ است.

(۲) واحد دما کلوین و مقدار  $\alpha$  حدود ۰/۳ است.

(۳) واحد فشار میلی بار و واحد دما درجه سانتی گراد است.

(۴) واحد فشار میلی متر جیوه و مقدار  $\alpha$  حدود ۰/۸۵ است.

۲۶۶- رطوبت نسبی هوا در کدام مورد به درستی تعریف شده است؟

(۱) نسبت فشار بخار به رطوبت مطلق اشباع

(۲) نسبت فشار بخار به رطوبت مطلق

(۳) نسبت رطوبت مطلق به رطوبت مطلق اشباع

(۴) نسبت اختلاط هوا به نسبت اختلاط اشباع

۲۶۷- نسبت اختلاط دو بسته هوا ۲ و ۴ گرم بر کیلوگرم است. نسبت اختلاط هوای حاصل از مخلوط این دو بسته چند گرم بر کیلوگرم است؟

(۱) ۸ (۲) ۶ (۳) ۳ (۴) ۲

۲۶۸- با افزایش دمای هوا کدام پارامتر رطوبتی هوا تغییر نمی کند؟

(۱) رطوبت مطلق (۲) رطوبت نسبی (۳) رطوبت ویژه (۴) فشار بخار اشباع

۲۶۹- در کدام هنگام دمای نقطه شبنم از دمای هوا بیشتر است؟

(۱) بارندگی (۲) تشکیل ابر

(۳) در شرایط معمول هواشناسی امکان ندارد. (۴) وقتی رطوبت نسبی برابر با ۱۰۰ درصد شود.

۲۷۰- فشار کلی یک بسته هوا (Air parcel) ۱۰۰۰ میلی بار است و ۳/۵ درصد آن را بخار آب تشکیل داده است. فشار بخار آب در این بسته تقریباً چند میلی متر جیوه است؟

(۱) ۲۶ (۲) ۳۵ (۳) ۳۵۰ (۴) ۱۰۳۵

۲۷۱- کدام نوده هوا دارای چگالی و تراکم بیشتری است؟

(۱) سرد و مرطوب (۲) سرد و خشک (۳) گرم و مرطوب (۴) گرم و خشک

۲۷۲- کدام ویژگی در مورد هر دو جبهه گرم و سرد مشترک است؟

(۱) صعود هوای گرم روی هوای سرد (۲) عدم تغییر فشار

(۳) کاهش شدت بارش (۴) وزش باد سبک

۲۷۳- با توجه به شکل زیر در مورد جبهه‌ها کدام درست است؟

(۱) جبهه گرم، A میدان کم فشار

(۲) جبهه سرد، A میدان کم فشار

(۳) جبهه گرم، B میدان پرفشار

(۴) جبهه گرم، A می تواند هر میدان فشاری باشد.

۲۷۴- کدام خطا در دماسنج وجود ندارد؟

(۱) اینرسی (۲) پارالاکس (۳) تغییر صفر دستگاه (۴) شتاب ثقل

۲۷۵- در گزارش داده‌های باران سنجی دو عبارت TR و  $(GT)^\circ$  به ترتیب به کدام مفهوم است؟

(۱) عدم بارندگی و وقوع ۱۰ روز بارندگی در ماه

(۲) عدم بارندگی و بارش بیشتر از ۱۰ میلی متر

(۳) بارش کمتر از ۰/۱ میلی متر و تعداد روزهای با بارش بیش از ۱۰ میلی متر

(۴) بارش کمتر از ۱ میلی متر و حداقل ۱۰ روز بارش در ماه



- ۲۷۶- محل و ارتفاع (برحسب متر) نصب آفتاب‌نگار در ایستگاه هواشناسی در کدام مورد درست است؟  
 (۱) ضلع شمالی ایستگاه، ۱/۵  
 (۲) ضلع جنوبی ایستگاه، ۱/۵  
 (۳) ضلع شرقی ایستگاه، ۲  
 (۴) ضلع غربی ایستگاه، ۲
- ۲۷۷- واژه «نرمال» به میانگین داده‌های هواشناسی طی حداقل چند سال اشاره دارد؟  
 (۱) ۱  
 (۲) ۱۰  
 (۳) ۳۰  
 (۴) ۱۰۰
- ۲۷۸- در مورد لایه استراتوسفر کدام درست است؟  
 (۱) این لایه بعد از مزوسفر فرار دارد و دما در آن افزایشی است.  
 (۲) دمای هوا در این لایه ابتدا کاهش و سپس افزایش می‌یابد.  
 (۳) ضخامت آن کمتر از تروپوسفر ولی رقیق‌تر است.  
 (۴) هوای آن رقیق است و حدود یک‌چهارم هوای کره زمین را تشکیل می‌دهد.
- ۲۷۹- فراوان‌ترین گاز گلخانه‌ای در اتمسفر زمین کدام است؟  
 (۱) اکسید نیتروژن  
 (۲) بخار آب  
 (۳) دی‌اکسید کربن  
 (۴) متان
- ۲۸۰- ابزار اندازه‌گیری ساعات آفتابی چه نام دارد و فواصل تعویض آن کدام است؟  
 (۱) اکتینوگرام - هفتگی  
 (۲) اکتینوگرام - هفتگی یا روزانه  
 (۳) هلیوگراف - هفتگی  
 (۴) هلیوگراف - روزانه
- ۲۸۱- کدام موجودات در پوسیده شدن بیشتر خاک دخالت دارند؟  
 (۱) آمیب‌ها  
 (۲) باکتری‌ها  
 (۳) جلبک‌ها  
 (۴) قارچ‌ها
- ۲۸۲- چرا مصرف بالای کود نیتروژن نیتراتی موجب کاهش گره‌بندی در لگوم‌ها می‌شود؟  
 (۱) افزایش فعالیت آنزیم نیتروژناز و سنتز ایندول استیک اسید  
 (۲) تجزیه ایندول استیک اسید و کاهش تولید لکتین  
 (۳) سنتز ایندول استیک اسید و افزایش تولید لکتین  
 (۴) کاهش فعالیت آنزیم نیتروژناز و افزایش تولید لکتین
- ۲۸۳- علل کاهش عیار قند در چغندر قند کدام است؟  
 (۱) بیشتر بودن دامنه تغییرات دما در شبانه‌روز  
 (۲) عدم استفاده از کود نیتروژن در پایان دوره رشد  
 (۳) کاهش سطح برگ  
 (۴) وجود ریشه بدون انشعاب در خاک
- ۲۸۴- کدام گیاه زراعی به نیتروژن کمتری نیاز دارد؟  
 (۱) توتون  
 (۲) چغندر قند  
 (۳) سیب‌زمینی  
 (۴) نیشکر
- ۲۸۵- کدام درخت میوه دارای میوه سستد کاذب حاصل از تخمدان تحتانی است؟  
 (۱) انگور  
 (۲) بلوبری  
 (۳) پاپایا  
 (۴) کیوی
- ۲۸۶- در کدام مورد، میوه روی شاخه‌های یک‌ساله تولید می‌شود؟  
 (۱) انار  
 (۲) به  
 (۳) خرمالو  
 (۴) شلیل
- ۲۸۷- در کدام مورد، روز قبل از شکوفایی گل‌ها می‌توان گرده‌افشانی دستی انجام داد؟  
 (۱) پیاز  
 (۲) فلفل  
 (۳) طالبی  
 (۴) کاهو
- ۲۸۸- کدام گیاه پوششی در مناطق معتدله خزان می‌کند؟  
 (۱) دیکوندرآ  
 (۲) فیلا  
 (۳) فرآکتینیا  
 (۴) فستوکای آبی
- ۲۸۹- مهم‌ترین جزء خاک از نظر زراعی کدام است؟  
 (۱) رس  
 (۲) سیلت  
 (۳) شن  
 (۴) ماده آلی

- ۲۹۰- استفاده از کدام شکل آب برای گیاه ممکن است؟  
 (۱) آب آزاد (۲) آب آدهسیون (۳) آب هیگروسکوپی (۴) آب کوهسیون
- ۲۹۱- افق A خاک در کدام پوشش گیاهی ضخیم تر است؟  
 (۱) اراضی زراعی (۲) تالابها (۳) جنگل (۴) علفزارها
- ۲۹۲- اگر ۴ مترمربع از خاک با رطوبت وزنی ۲۱ درصد و جرم مخصوص ظاهری ۱/۲۵ گرم بر سانتی متر مکعب را تا عمق ۳۰ سانتی متر با ۹۰ لیتر آب، آبیاری کنیم رطوبت وزنی آن چند درصد می شود؟  
 (۱) ۲۷ (۲) ۲۹ (۳) ۳۱ (۴) ۳۶
- ۲۹۳- اگر عمق آب نفوذ یافته در ابتدا و انتهای کرت به ترتیب ۱۰۰ و ۸۰ میلی متر و تلفات نفوذ عمقی ۲۰ درصد باشد، عمق خالص آبیاری چند میلی متر است؟  
 (۱) ۶۴ (۲) ۷۲ (۳) ۸۰ (۴) ۹۰
- ۲۹۴- کدام پارامتر را نمی توان از هیدروگراف جریان ورودی - خروجی در روش آبیاری جویچه ای استخراج کرد؟  
 (۱) زمان پیشروی (۲) زمان پسروی (۳) ضریب نفوذ پذیری نهایی (۴) یکنواختی توزیع
- ۲۹۵- در زراعت های ردیفی، مساحت خیس شده در آبیاری قطره ای سطحی و زیر سطحی تقریباً برابر چند درصد از سطح زمین است؟  
 (۱) ۱۰۰ (۲) ۶۷ (۳) بین ۳۳ تا ۶۷ (۴) ۳۳
- ۲۹۶- بالاترین حد میزان پخش آب در آبیاری بارانی به کدام مورد بستگی دارد؟  
 (۱) بافت خاک و شیب زمین (۲) بافت خاک و سرعت باد غالب (۳) بافت خاک و شرایط آب و هوایی (۴) رطوبت خاک و شرایط آب و هوایی
- ۲۹۷- ویروس ها فاقد کدام ویژگی مهم سلولی هستند؟  
 (۱) تغییر پذیری (۲) رشد به واسطه سوخت و ساز (۳) سازگاری (۴) همانند سازی و تکثیر
- ۲۹۸- کدام گروه از نماتدها دارای تنوع بسیار زیاد در چرخه زندگی، زیستگاه و رژیم غذایی هستند؟  
 (۱) Aphelenchoidea (۲) Criconematoidea (۳) Dorylaimoidea (۴) Tylenchoidea
- ۲۹۹- اغلب باکتری های بیماری زای گیاهی در کدام قسمت از بافت های آلوده تکثیر شده و وجود دارند؟  
 (۱) به صورت درون سلولی (۲) سیتوپلاسم سلول ها (۳) فضای زیر روزنه ها (۴) فضای بین سلولی
- ۳۰۰- کدام مورد درباره Tentoxin درست است؟  
 (۱) توکسین غیر اختصاصی حاصل از *Alternaria spp.* است.  
 (۲) توکسین اختصاصی حاصل از *Alternaria spp.* است.  
 (۳) توکسین غیر اختصاصی حاصل از *Cochliobolus spp.* است.  
 (۴) توکسین اختصاصی حاصل از *Cochliobolus spp.* است.

مشاهده کلید اولیه سوالات آزمون کارشناسی ارشد 1400

به اطلاع می‌رساند، کلید اولیه سوالات که در این سایت قرار گرفته است، غیر قابل استناد است و پس از دریافت نظرات داوطلبان و صاحب نظران کلید نهایی سوالات تهیه و بر اساس آن کارنامه داوطلبان استخراج خواهد شد. در صورت تمایل می‌توانید حداکثر تا تاریخ 1399/05/22 با مراجعه به سامانه پاسخگویی اینترنتی (request.sanjesh.org) نسبت به تکمیل فرم "اعتراض به کلید سوالات"/"آزمون کارشناسی ارشد سال 1400" اقدام نمایید. لازم به ذکر است نظرات داوطلبان فقط تا تاریخ مذکور و از طریق فرم ذکر شده دریافت خواهد شد و به موارد ارسالی از طریق دیگر (نامه مکتوب یا فرم عمومی در سامانه پاسخگویی و ...) یا پس از تاریخ اعلام شده رسیدگی نخواهد شد.

عنوان دفترچه	نوع دفترچه	گروه امتحانی
علوم ومهندسي اب	A	کشاورزي

گزینه صحیح	شماره سوال	گزینه صحیح	شماره سوال	گزینه صحیح	شماره سوال	گزینه صحیح	شماره سوال	گزینه صحیح	شماره سوال	گزینه صحیح	شماره سوال
2	151	1	31	1	61	2	91	3	121	3	151
2	152	4	32	4	62	4	92	1	122	1	152
1	153	1	33	1	63	3	93	4	123	4	153
3	154	4	34	4	64	2	94	3	124	3	154
2	155	4	35	4	65	1	95	3	125	3	155
3	156	2	36	2	66	4	96	2	126	4	156
4	157	3	37	3	67	2	97	4	127	4	157
3	158	3	38	3	68	2	98	4	128	1	158
3	159	2	39	2	69	4	99	2	129	1	159
2	160	1	40	1	70	1	100	3	130	3	160
4	161	3	41	3	71	4	101	1	131	3	161
1	162	2	42	2	72	4	102	4	132	4	162
1	163	1	43	1	73	2	103	1	133	2	163
3	164	3	44	3	74	3	104	4	134	1	164
1	165	4	45	4	75	2	105	2	135	1	165
2	166	2	46	2	76	3	106	1	136	3	166
4	167	3	47	3	77	3	107	1	137	3	167
1	168	1	48	1	78	4	108	2	138	2	168
4	169	2	49	2	79	1	109	3	139	1	169
3	170	4	50	4	80	1	110	3	140	3	170
4	171	2	51	2	81	1	111	2	141	3	171
2	172	4	52	4	82	4	112	3	142	4	172
3	173	1	53	1	83	2	113	1	143	4	173
2	174	3	54	3	84	4	114	4	144	2	174
1	175	2	55	2	85	1	115	2	145	3	175
1	176	3	56	3	86	2	116	4	146	2	176
3	177	4	57	4	87	1	117	1	147	2	177
4	178	2	58	2	88	2	118	2	148	4	178
1	179	1	59	1	89	3	119	3	149	4	179
4	180	3	60	3	90	3	120	3	150	1	180
گزینه صحیح	شماره سوال	گزینه صحیح	شماره سوال	گزینه صحیح	شماره سوال	گزینه صحیح	شماره سوال	گزینه صحیح	شماره سوال	گزینه صحیح	شماره سوال
سفید	301	2	211	2	241	1	271	2	301	سفید	301
سفید	302	1	212	1	242	3	272	1	302	سفید	302
سفید	303	2	213	2	243	3	273	2	303	سفید	303
سفید	304	4	214	2	244	2	274	4	304	سفید	304
سفید	305	3	215	1	245	4	275	3	305	سفید	305
سفید	306	2	216	3	246	3	276	2	306	سفید	306
سفید	307	3	217	4	247	4	277	3	307	سفید	307
سفید	308	4	218	3	248	2	278	4	308	سفید	308
سفید	309	2	219	3	249	2	279	2	309	سفید	309
سفید	310	4	220	3	250	4	280	4	310	سفید	310
سفید	311	4	221	2	251	1	281	4	311	سفید	311
سفید	312	2	222	4	252	4	282	2	312	سفید	312
سفید	313	3	223	1	253	3	283	3	313	سفید	313
سفید	314	1	224	4	254	4	284	1	314	سفید	314
سفید	315	2	225	3	255	4	285	2	315	سفید	315

196	4	226	4	256	2	286	4	316	سفید
197	2	227	4	257	1	287	2	317	سفید
198	2	228	1	258	3	288	2	318	سفید
199	4	229	4	259	2	289	4	319	سفید
200	1	230	1	260	1	290	4	320	سفید
201	2	231	1	261	4	291	4		
202	4	232	1	262	2	292	1		
203	1	233	1	263	1	293	2		
204	2	234	2	264	1	294	4		
205	1	235	4	265	2	295	1		
206	3	236	2	266	4	296	1		
207	2	237	3	267	3	297	2		
208	2	238	1	268	3	298	1		
209	3	239	4	269	3	299	4		
210	1	240	4	270	1	300	1		

خروج